



US00D737699S

(12) **United States Design Patent**  
**Chang et al.**

(10) **Patent No.:** **US D737,699 S**

(45) **Date of Patent:** **\*\* Sep. 1, 2015**

(54) **ACTIVITY MONITOR**

(71) Applicant: **Kabushiki Kaisha Toshiba**, Tokyo (JP)

(72) Inventors: **Shianwei Chang**, Kawasaki (JP);  
**Atsunobu Banryu**, Funabashi (JP)

(73) Assignee: **Kabushiki Kaisha Toshiba**, Tokyo (JP)

(\*\*) Term: **14 Years**

(21) Appl. No.: **29/512,195**

(22) Filed: **Dec. 17, 2014**

(30) **Foreign Application Priority Data**

Jun. 18, 2014 (JP) ..... 2014-013131

(51) **LOC (10) Cl.** ..... **10-04**

(52) **U.S. Cl.**  
USPC ..... **D10/70; D10/39**

(58) **Field of Classification Search**  
USPC ..... D10/30-39, 65, 70, 97, 98; D11/3;  
D14/138 R, 203.5, 203.6, 341, 344,  
D14/347; D24/167, 168  
CPC ..... A44C 5/00-5/16; G04B 37/00-37/228;  
G04B 45/0069; G04B 47/04; G04B  
19/00-19/34; G04B 21/12; G04B 23/12;  
G04B 47/00-47/068; G01C 17/00; G01C  
21/00-21/3697

See application file for complete search history.

(56) **References Cited**

**U.S. PATENT DOCUMENTS**

D664,880 S \* 8/2012 Cobbett et al. .... D11/3  
D671,858 S \* 12/2012 Cobbett et al. .... D11/3  
D680,020 S \* 4/2013 Cobbett et al. .... D11/3  
D684,082 S \* 6/2013 Alvarez et al. .... D11/3  
D688,584 S \* 8/2013 Cobbett et al. .... D11/3  
D690,218 S \* 9/2013 Cobbett et al. .... D11/3  
D711,268 S \* 8/2014 Kim et al. .... D10/98

D714,179 S \* 9/2014 Park et al. .... D11/3  
D717,956 S \* 11/2014 Alexander et al. .... D24/167  
D718,647 S \* 12/2014 Roush et al. .... D10/98  
D720,248 S \* 12/2014 Law ..... D11/3  
D720,249 S \* 12/2014 Park et al. .... D11/3  
D720,635 S \* 1/2015 Park et al. .... D10/98  
D721,292 S \* 1/2015 Choi et al. .... D10/98  
D724,453 S \* 3/2015 Ogihara et al. .... D10/70  
D724,468 S \* 3/2015 Tan et al. .... D11/3  
D725,510 S \* 3/2015 Henning ..... D10/70  
D726,572 S \* 4/2015 Walters et al. .... D11/3

**FOREIGN PATENT DOCUMENTS**

JP 1457978 S 12/2012  
JP 1457979 S 12/2012

(Continued)

*Primary Examiner* — Antoine D Davis

(74) *Attorney, Agent, or Firm* — Venable LLP; Stefan J. Kirchanski

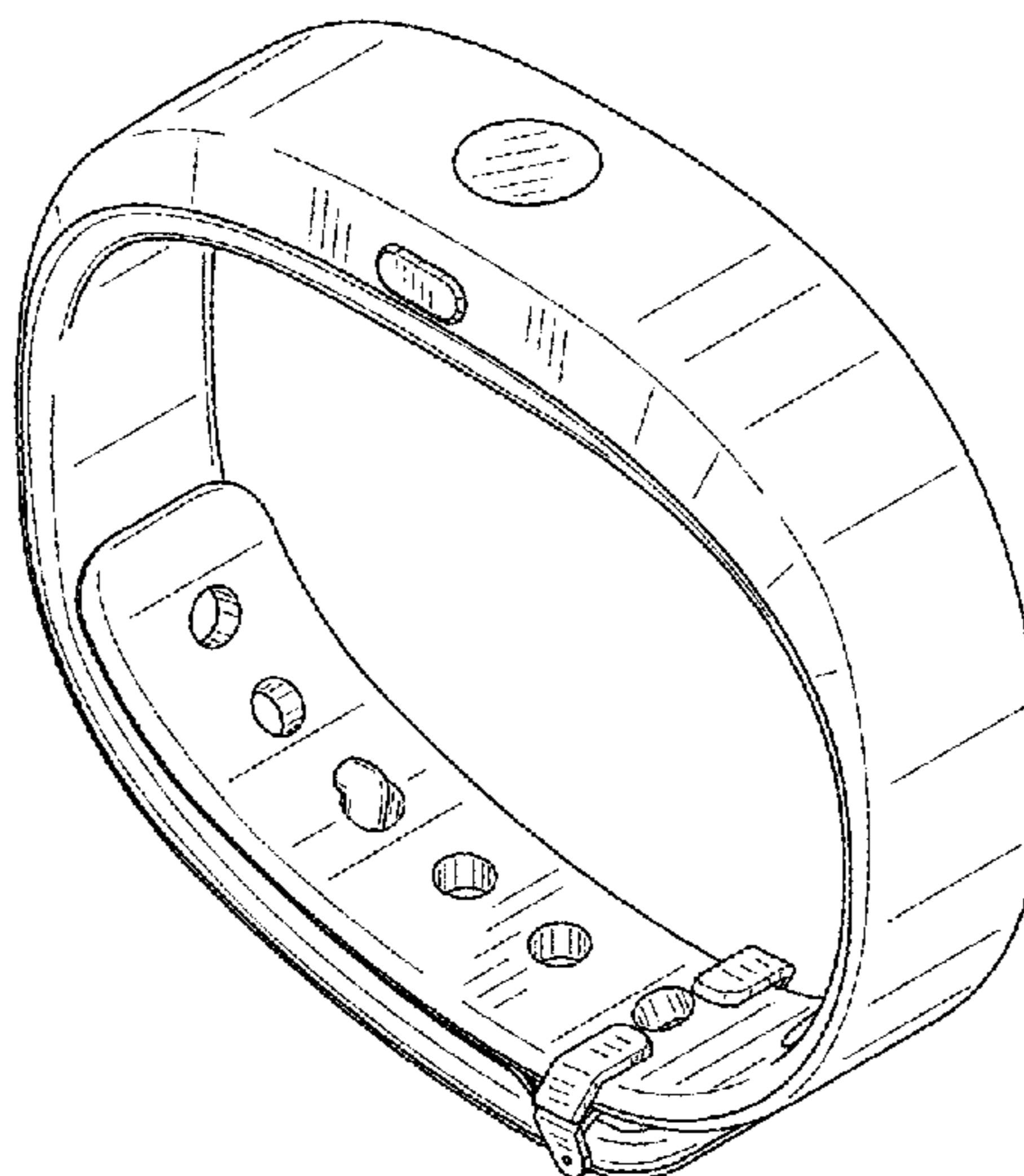
(57) **CLAIM**

The ornamental design for a activity monitor, as shown and described.

**DESCRIPTION**

FIG. 1 is a front, top and right side perspective view of a activity monitor, showing our new design;  
FIG. 2 is a front view thereof;  
FIG. 3 is a rear view thereof;  
FIG. 4 is a left side view thereof;  
FIG. 5 is a right side view thereof;  
FIG. 6 is a top view thereof;  
FIG. 7 is a bottom view thereof;  
FIG. 8 is a cross sectional view thereof, taken along the line 8-8 in FIG. 2 with its internal mechanisms omitted; and,  
FIG. 9 is a cross sectional view thereof, taken along the line 9-9 in FIG. 2 with its internal mechanisms omitted.  
The broken line showing in FIGS. 8 and 9 of the interior surfaces of the activity monitor illustrate portions of the activity monitor which from no part of the claimed design.

**1 Claim, 3 Drawing Sheets**



(56)

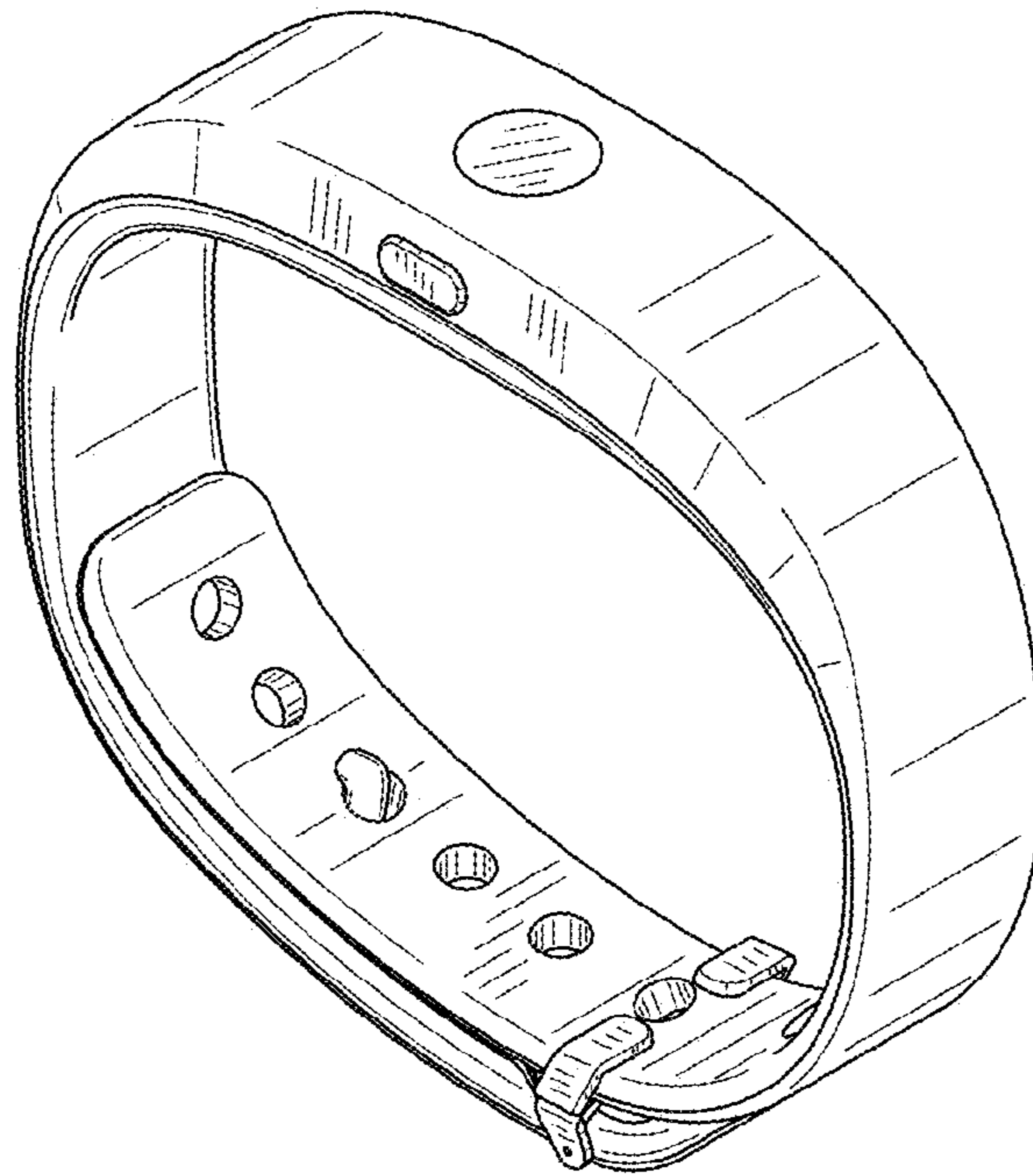
**References Cited**

JP 1487510 S 1/2014  
JP 1497260 S 5/2014

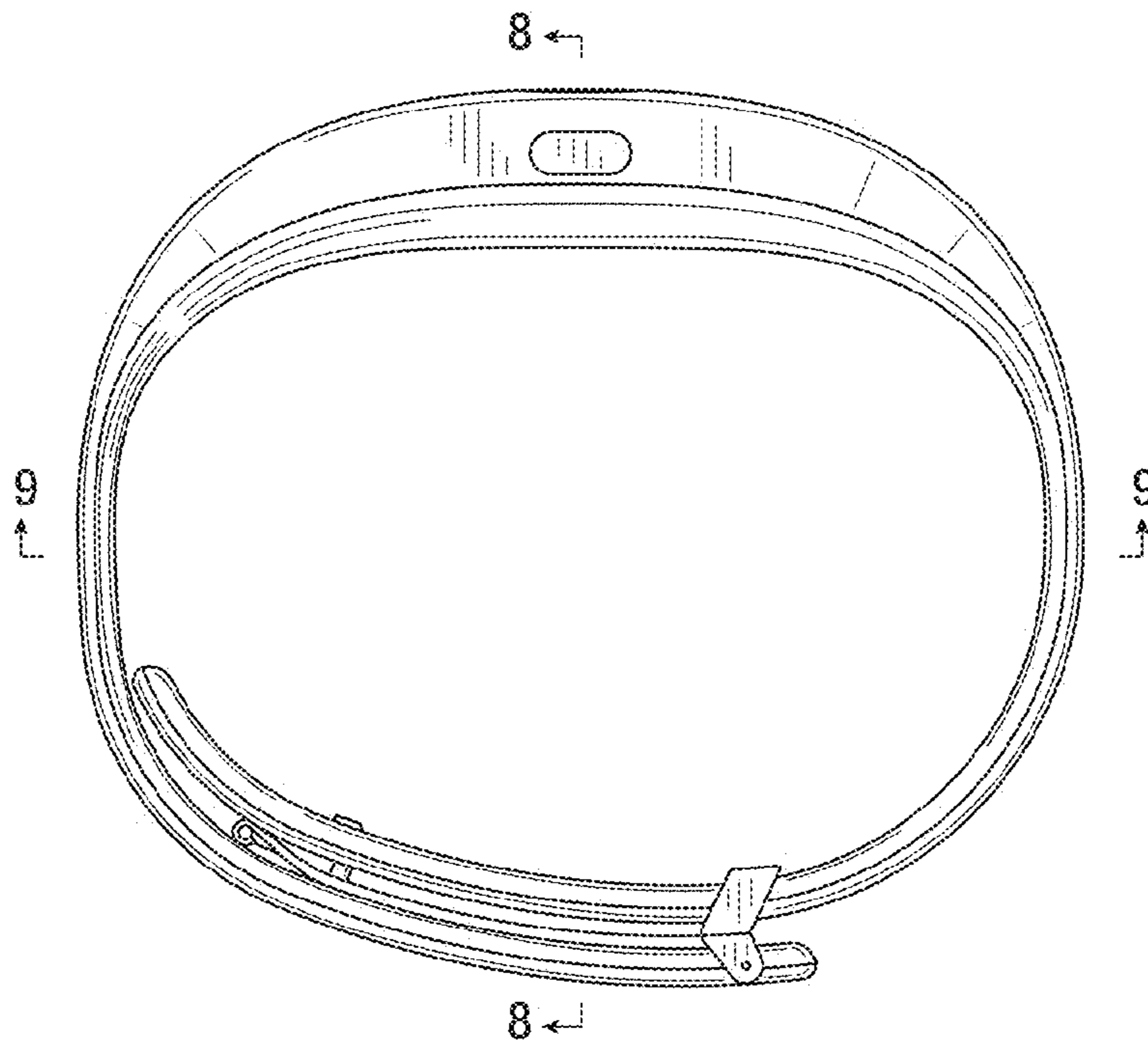
FOREIGN PATENT DOCUMENTS

JP 1473116 S 6/2013

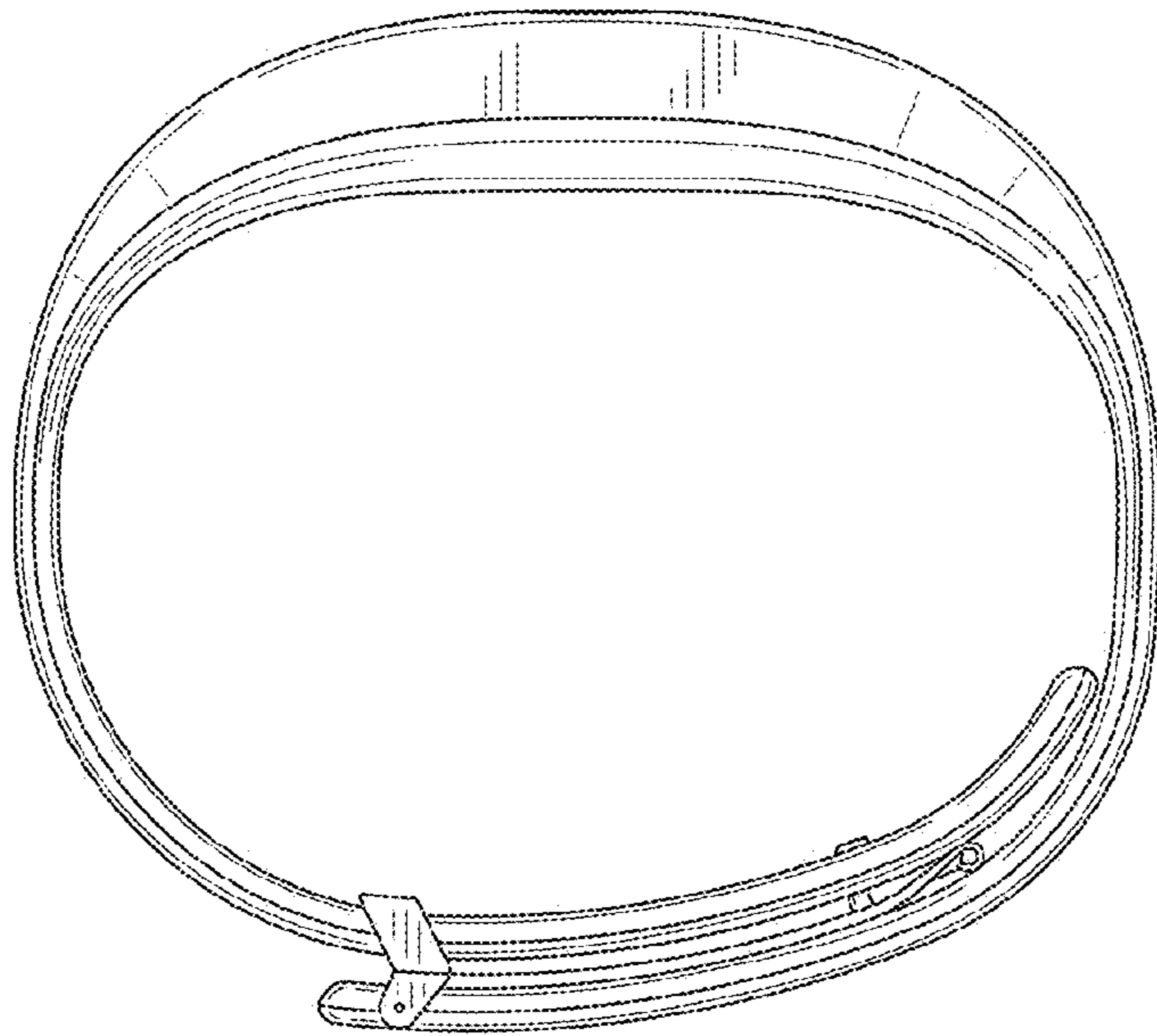
\* cited by examiner



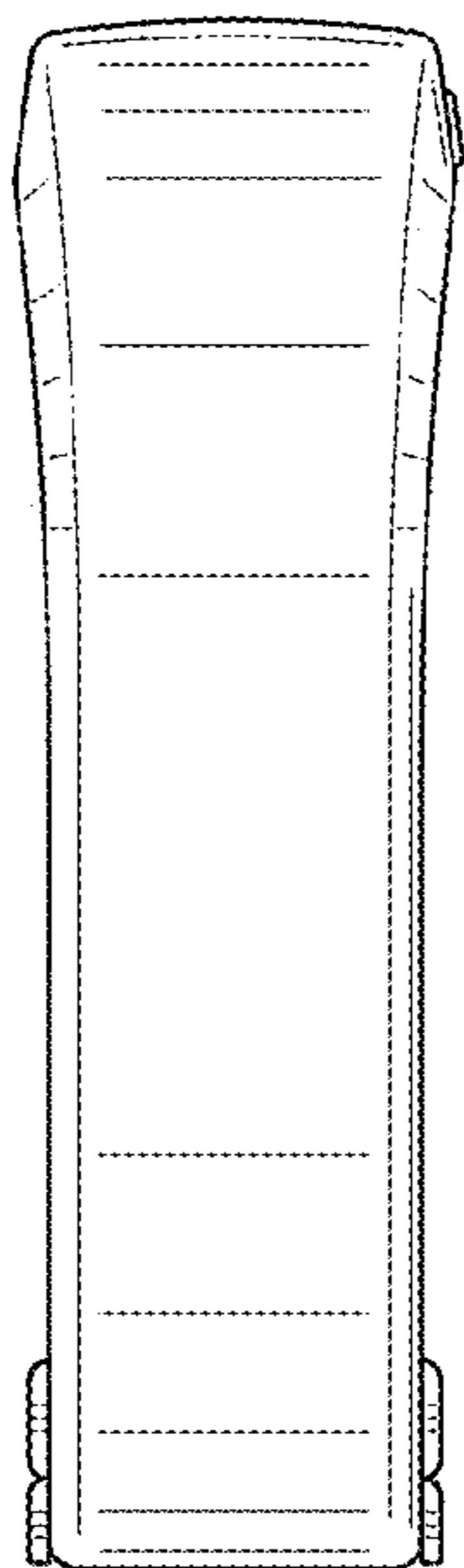
*Fig. 1*



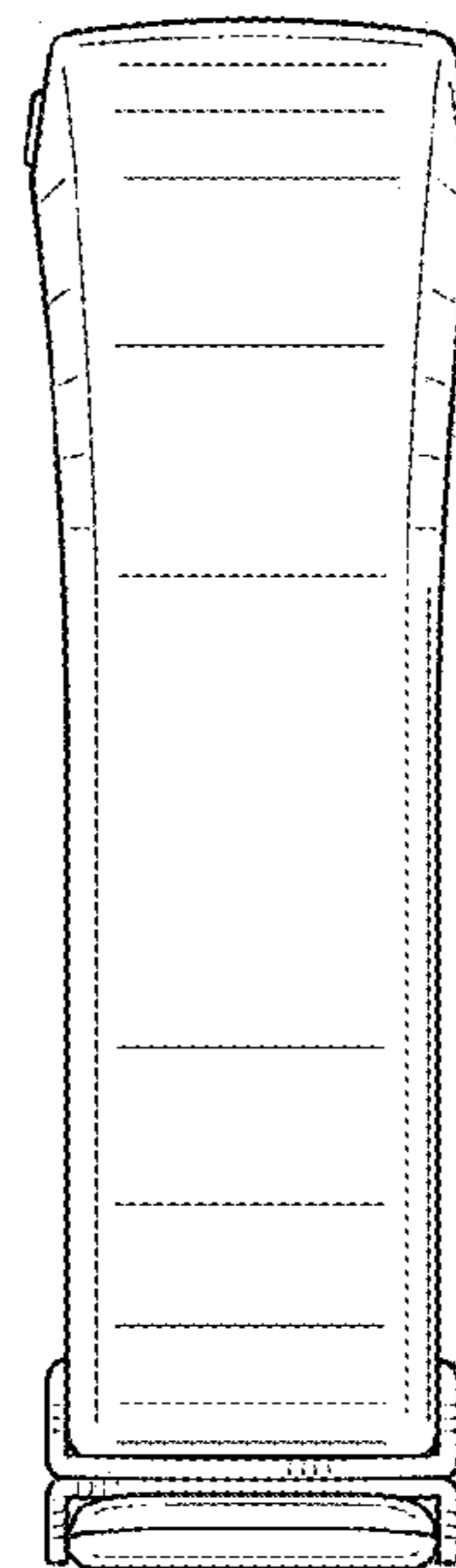
*Fig. 2*



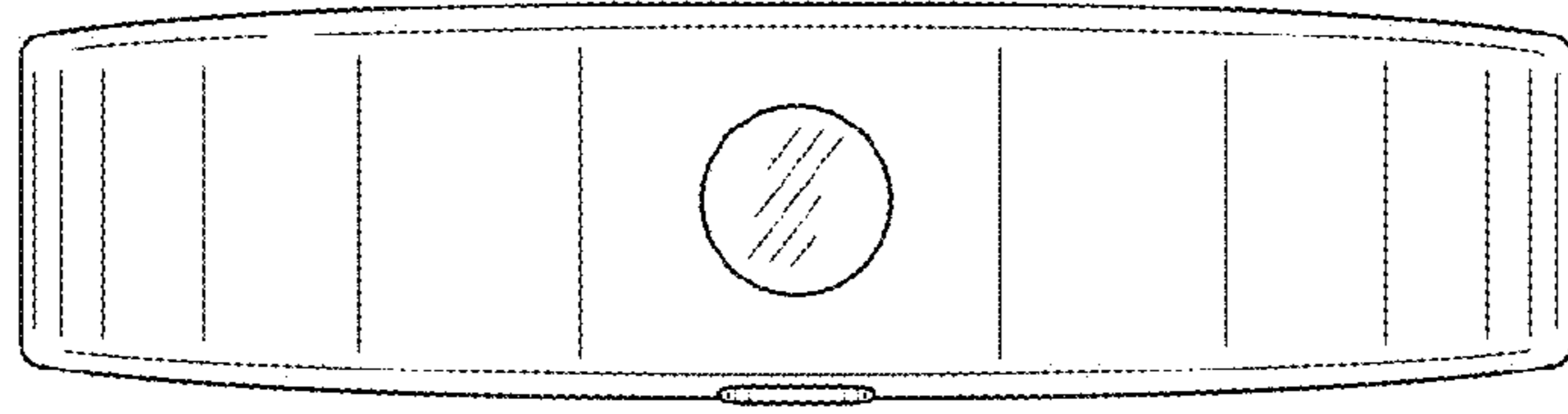
*Fig. 3*



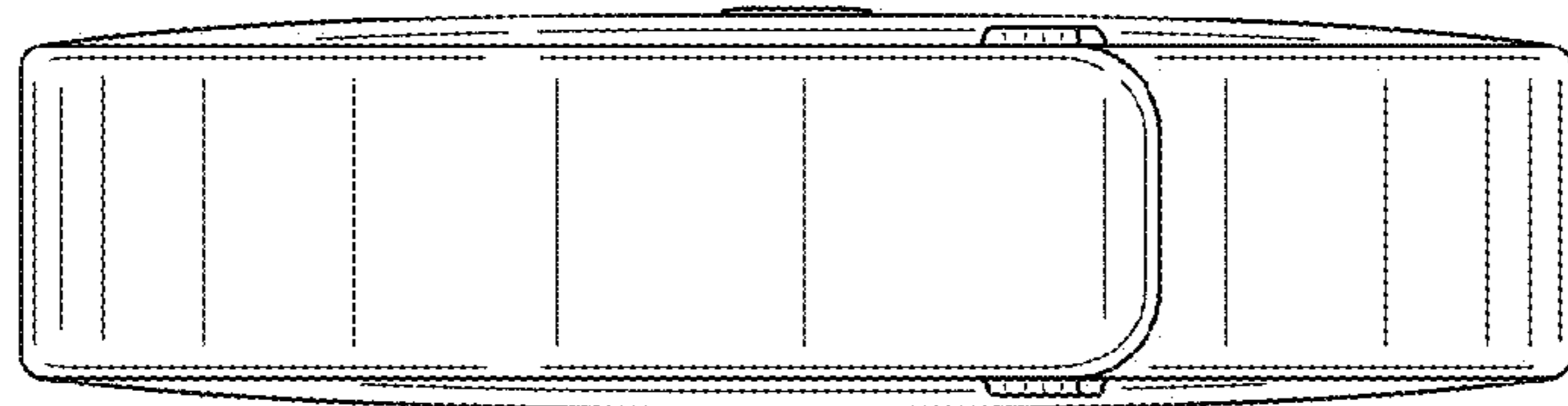
*Fig. 4*



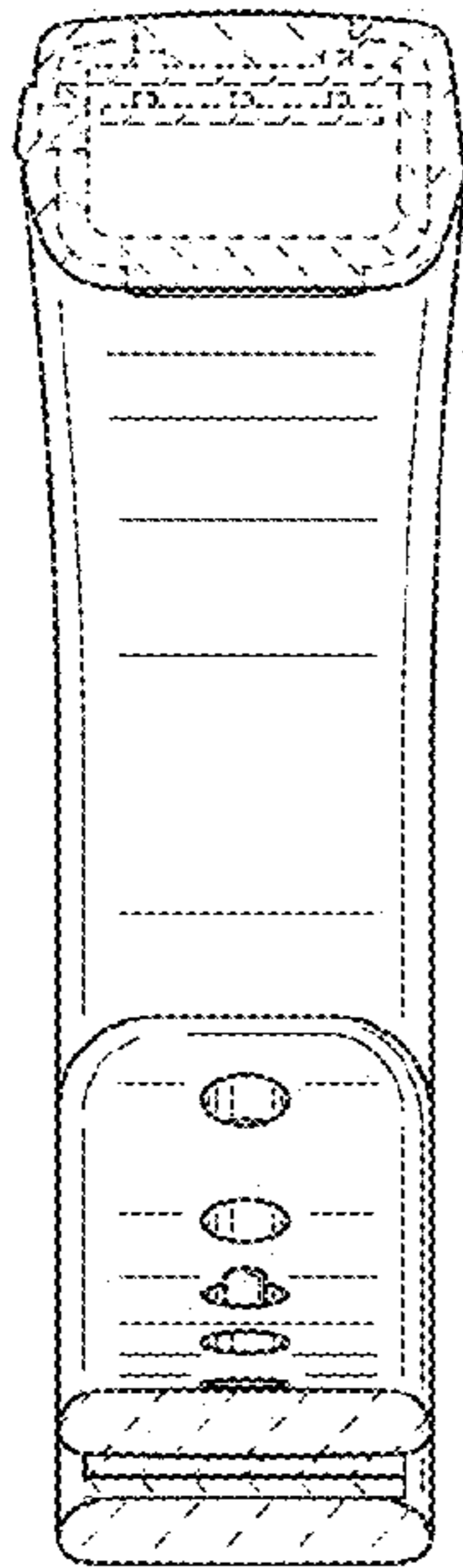
*Fig. 5*



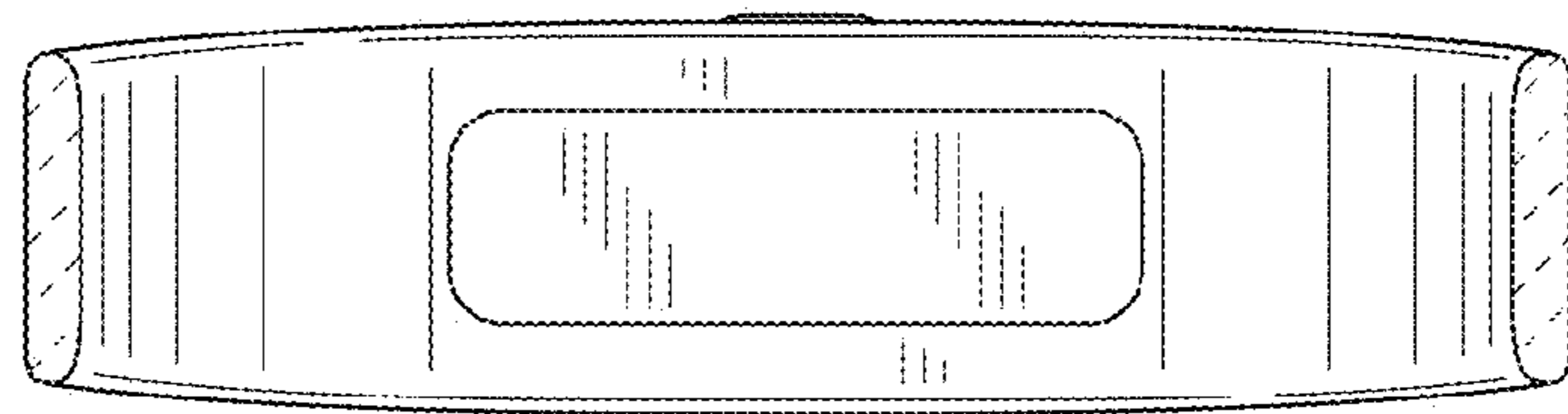
*Fig. 6*



*Fig. 7*



*Fig. 8*



*Fig. 9*