



US00D737697S

(12) **United States Design Patent**
Bhattacharya

(10) **Patent No.:** **US D737,697 S**

(45) **Date of Patent:** **** Sep. 1, 2015**

(54) **THERMOSTAT**

(71) Applicant: **Vivint, Inc.**, Provo, UT (US)

(72) Inventor: **Abhijeet Bhattacharya**, Draper, UT (US)

(73) Assignee: **VIVINT, INC.**, Provo, UT (US)

(**) Term: **14 Years**

(21) Appl. No.: **29/496,626**

(22) Filed: **Jul. 15, 2014**

(51) **LOC (10) Cl.** **10-04**

(52) **U.S. Cl.**
USPC **D10/50**

(58) **Field of Classification Search**

USPC D10/49-50; D9/414, 432-433;
D13/162, 168; D14/126, 336, 371,
D14/374, 389
CPC F23N 5/20; F23N 5/203; F23N 5/206;
F23N 5/18; F23N 5/184; F23N 5/187; F23N
5/22; F23N 2025/12; F23N 2041/02; F24F
11/00; F24F 11/0012; F24F 11/0009; F24F
11/001; F24F 2011/0057; F24F 2011/0073;
F24F 2011/0091

See application file for complete search history.

(56) **References Cited**

U.S. PATENT DOCUMENTS

D261,234 S * 10/1981 Abraham D9/432
D387,982 S * 12/1997 Kaplan D9/423
D568,257 S * 5/2008 Tatsuyama et al. D13/162
7,569,777 B1 * 8/2009 Gillam 174/562
D601,353 S * 10/2009 Sadler et al. D6/308
7,607,251 B2 * 10/2009 Kim et al. 40/725
D622,513 S * 8/2010 Tang et al. D6/308
D630,169 S * 1/2011 Nakai et al. D13/168
D640,992 S * 7/2011 Margolin et al. D13/162
D662,094 S * 6/2012 Mack et al. D14/388
D673,467 S * 1/2013 Lee et al. D10/50

D678,084 S * 3/2013 Beland et al. D10/50
D678,218 S * 3/2013 Sheen D13/168
D687,388 S * 8/2013 Baumgartner et al. D13/162
D690,295 S * 9/2013 Fletcher et al. D14/336
D694,718 S * 12/2013 Baumgartner et al. D13/168
D695,410 S * 12/2013 Becker D24/186
D696,636 S * 12/2013 Sakai D13/168

(Continued)

Primary Examiner — Antoine D Davis

(74) *Attorney, Agent, or Firm* — Holland & Hart

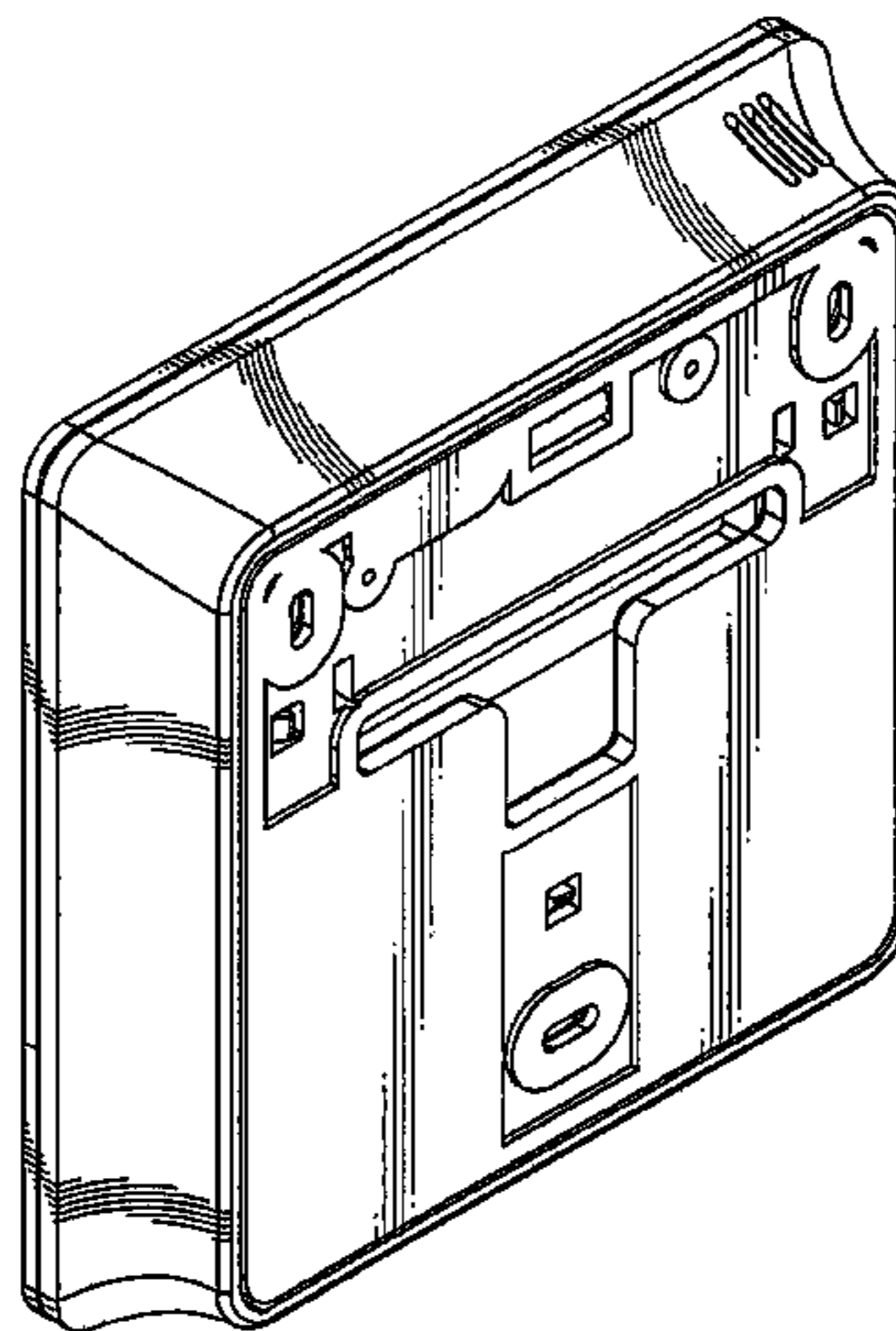
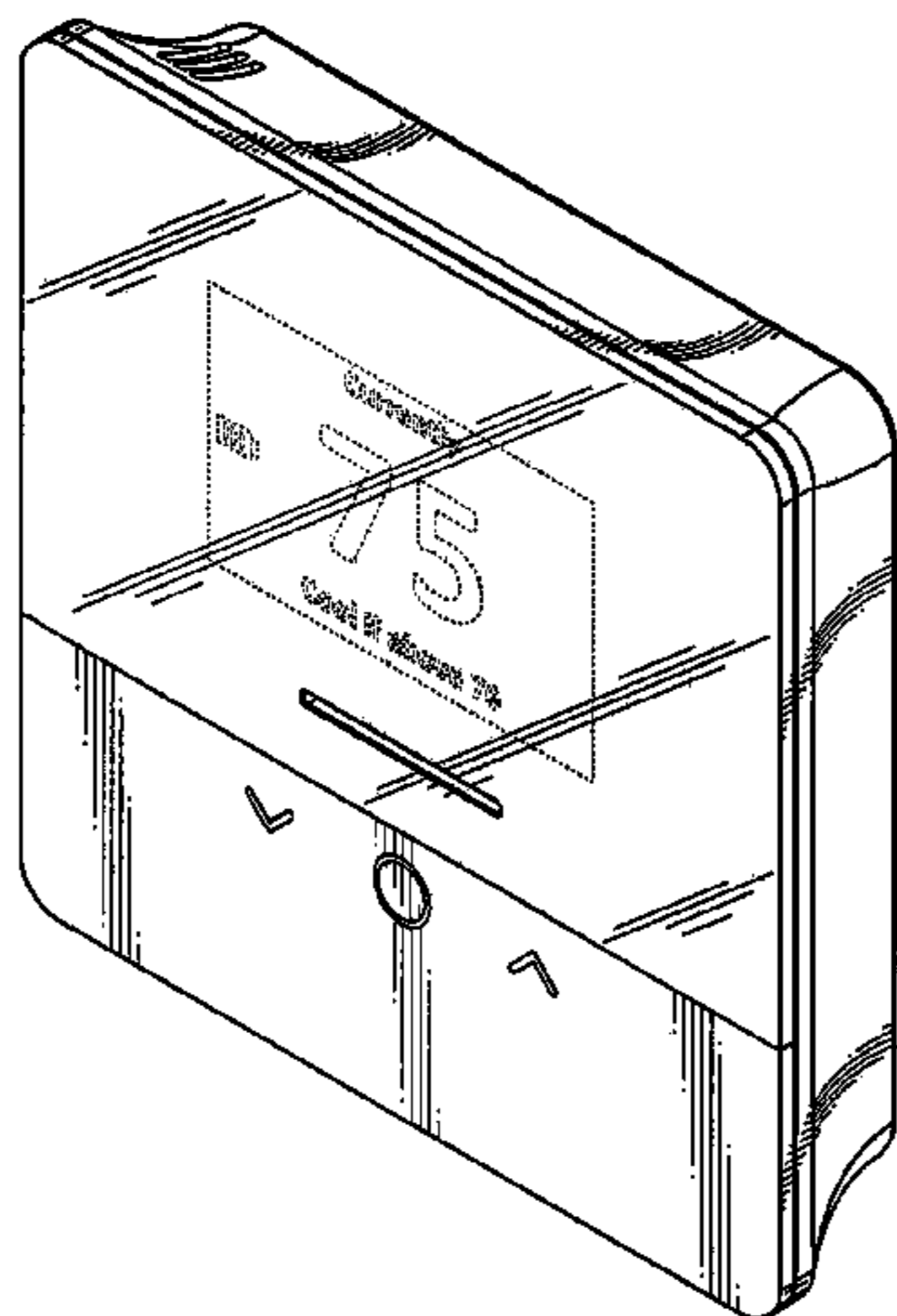
(57) **CLAIM**

The ornamental design for a “thermostat,” as shown and described.

DESCRIPTION

FIG. 1 is a top perspective view of a thermostat according to the present invention;
FIG. 2 is a rear perspective view thereof;
FIG. 3 is a front view thereof;
FIG. 4 is a right side view thereof;
FIG. 5 is a left side view thereof;
FIG. 6 is a top view thereof;
FIG. 7 is a bottom view thereof;
FIG. 8 is a rear view thereof;
FIG. 9 is a top perspective view of an alternative embodiment of a thermostat design according to the present invention;
FIG. 10 is a rear perspective view of the alternative embodiment thereof;
FIG. 11 is a front perspective view of the alternative embodiment thereof;
FIG. 12 is a right side perspective view of the alternative embodiment thereof;
FIG. 13 is a left side perspective view of the alternative embodiment thereof;
FIG. 14 is a top view of the alternative embodiment thereof;
FIG. 15 is a bottom view of the alternative embodiment thereof; and,
FIG. 16 is a rear view of the alternative embodiment thereof.

1 Claim, 6 Drawing Sheets



(56)

References Cited

U.S. PATENT DOCUMENTS

D706,145 S * 6/2014 Pavlak et al. D10/50
D711,837 S * 8/2014 Clymer et al. D13/162
D719,532 S * 12/2014 Wu D13/162

8,915,606 B2 * 12/2014 Shima et al. 362/97.1
D724,035 S * 3/2015 Flowers et al. D13/162
D727,180 S * 4/2015 Lai et al. D10/50
D727,271 S * 4/2015 Shi et al. D13/162
D727,857 S * 4/2015 Acera et al. D13/162

* cited by examiner

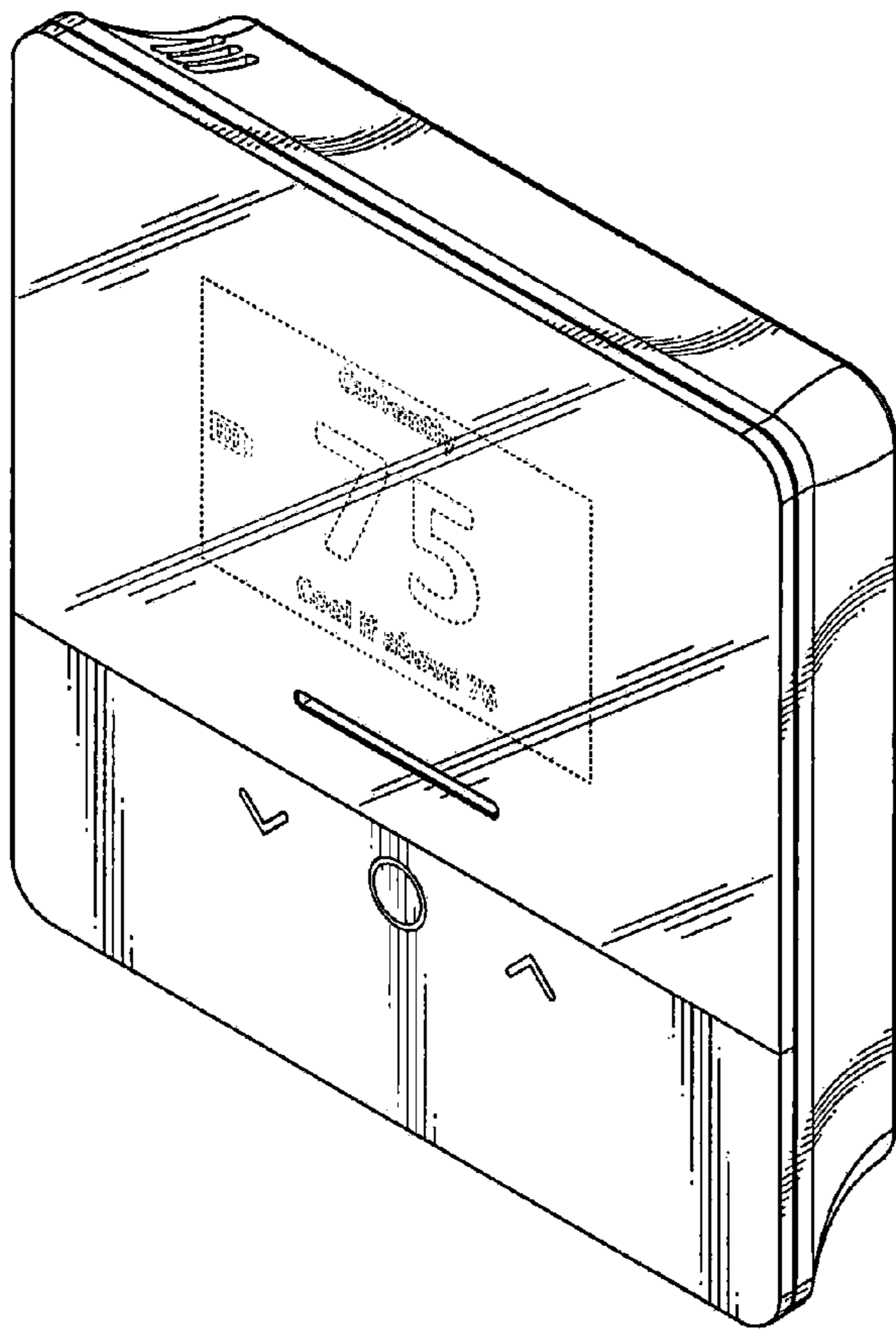


FIG. 1

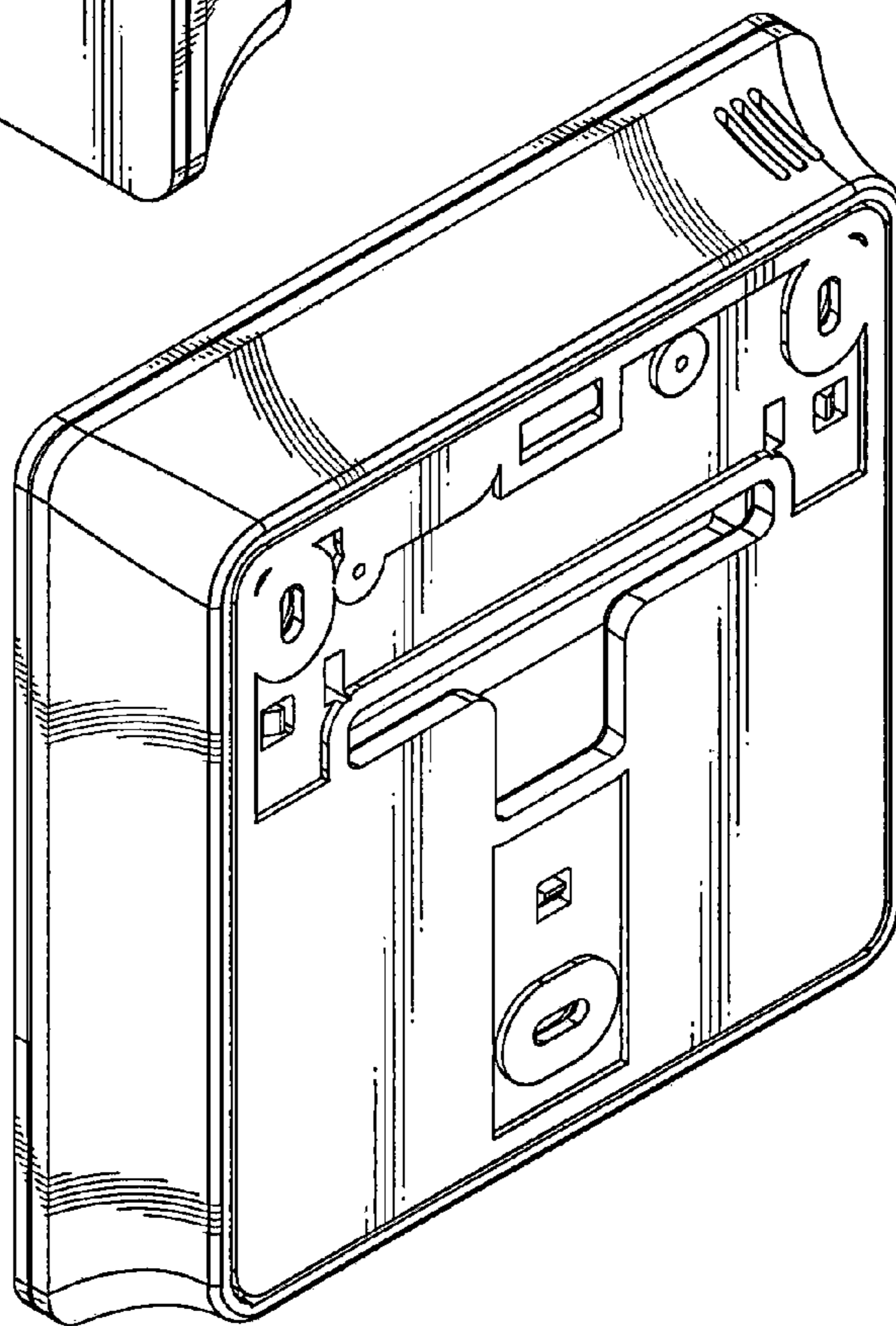


FIG. 2

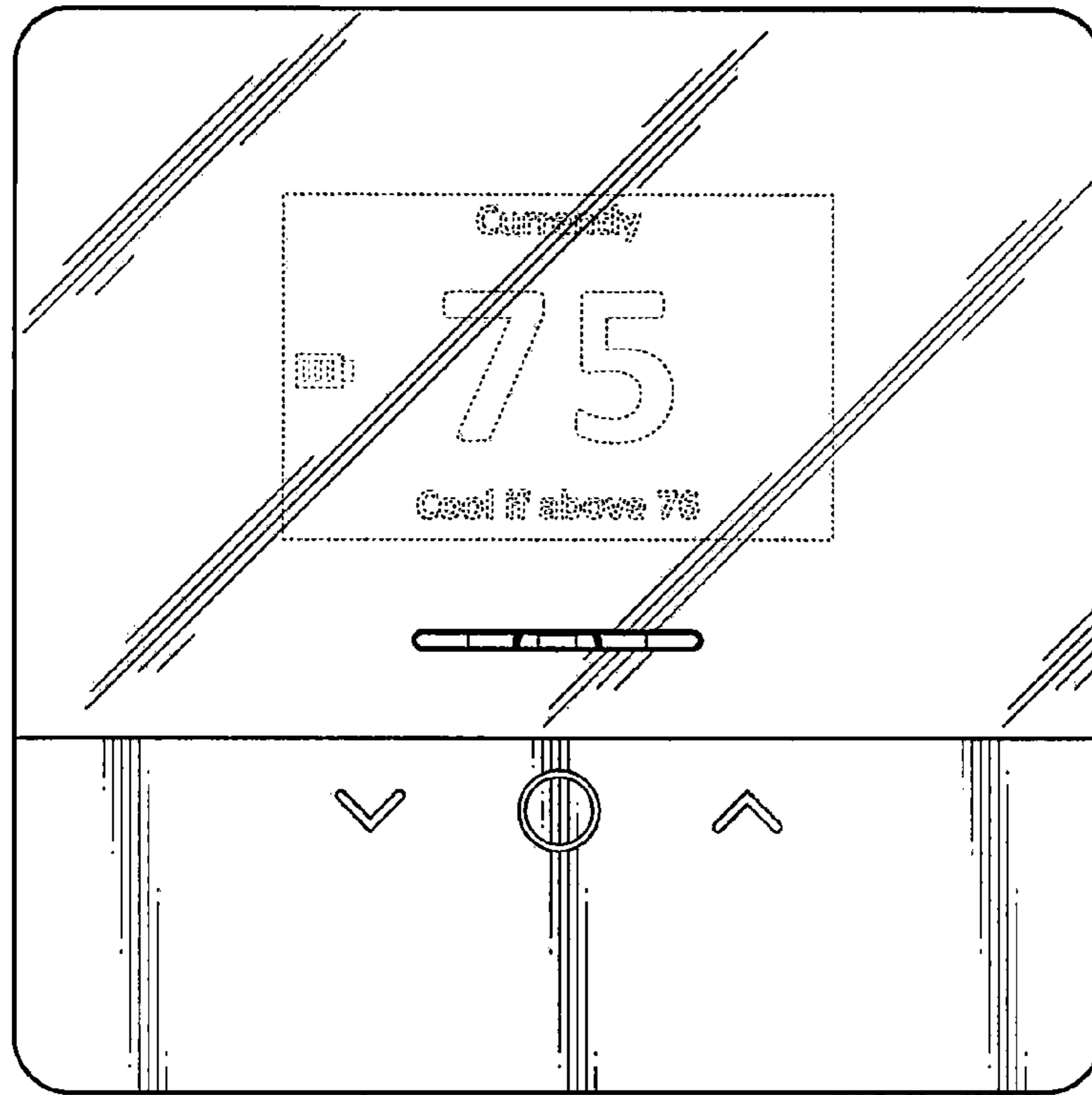


FIG. 3

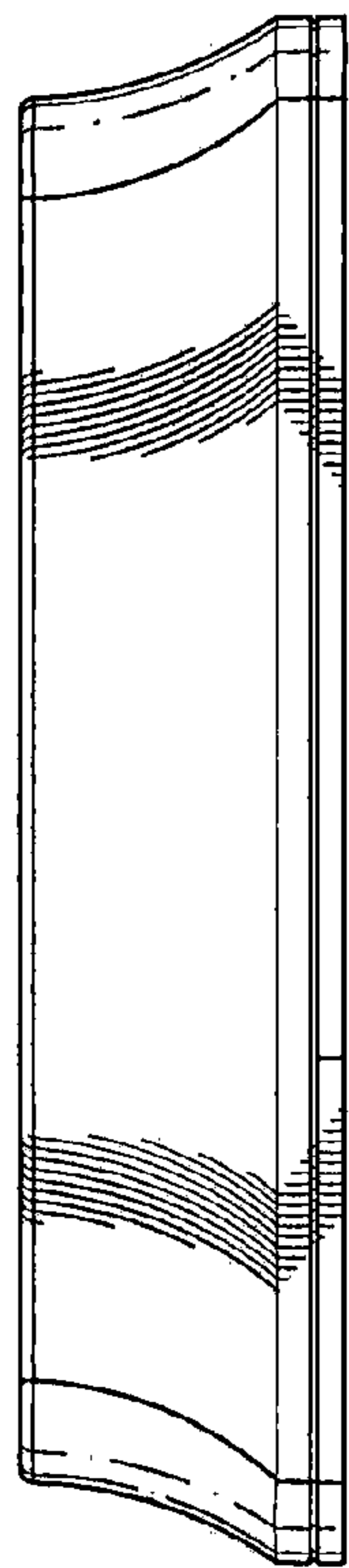


FIG. 4

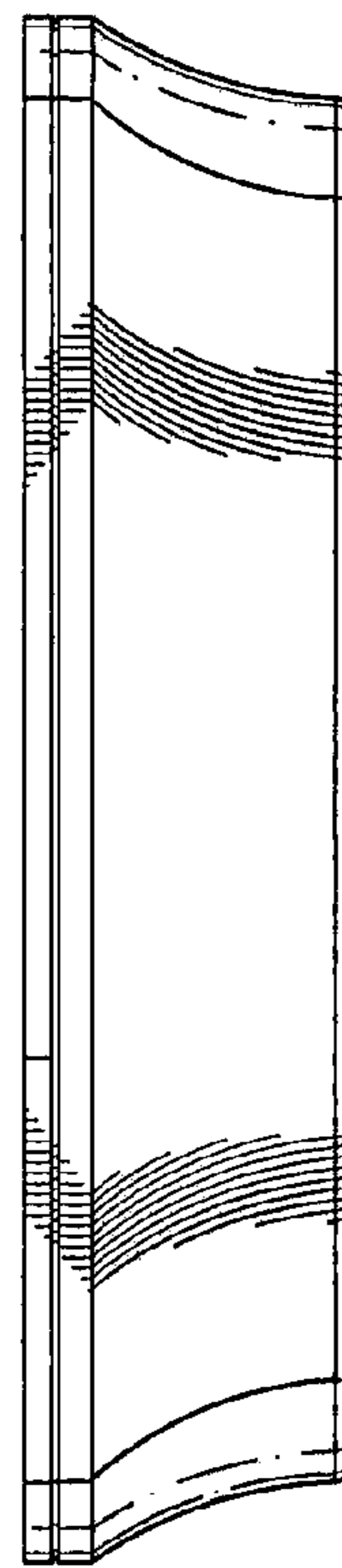


FIG. 5

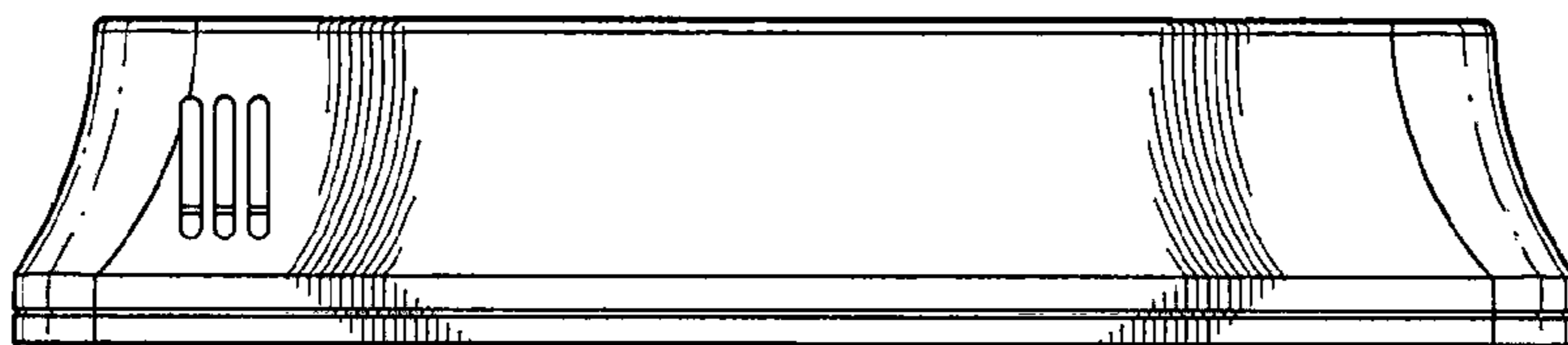


FIG. 6

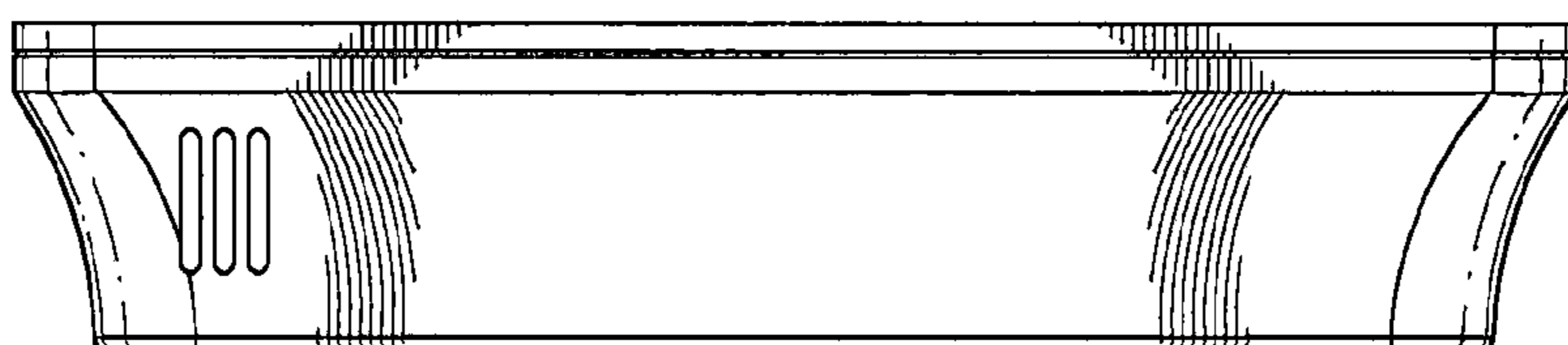


FIG. 7

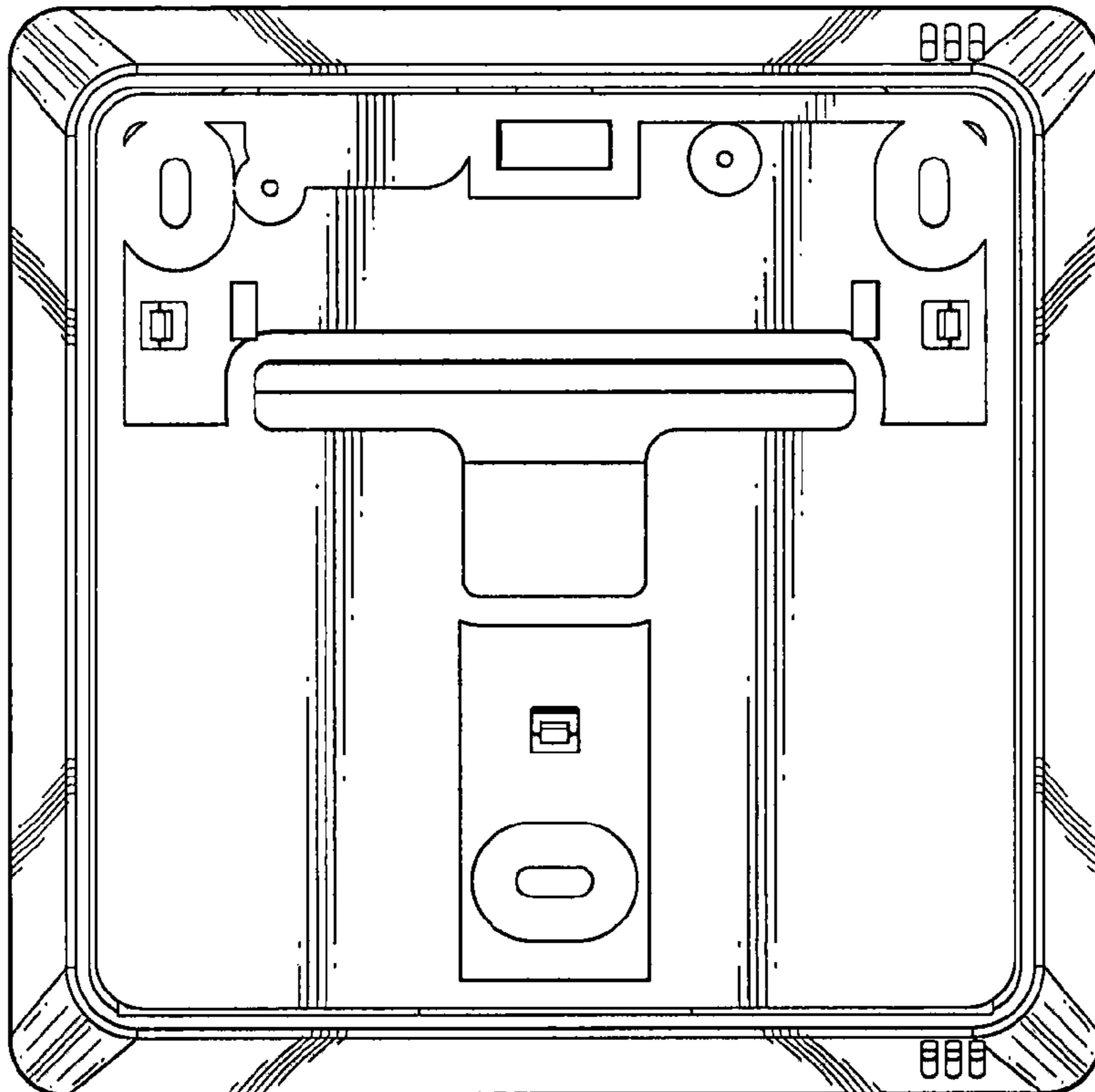


FIG. 8

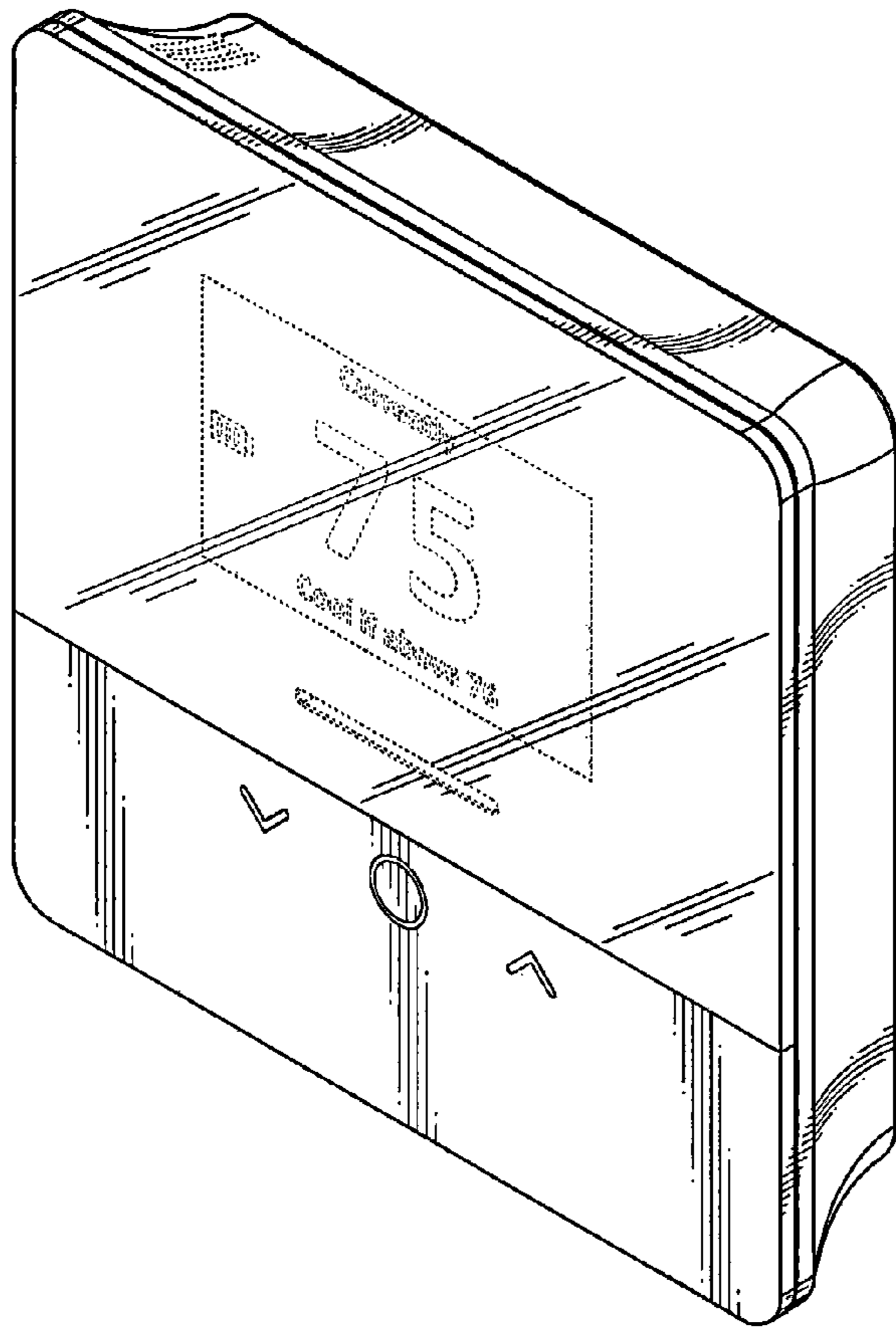


FIG. 9

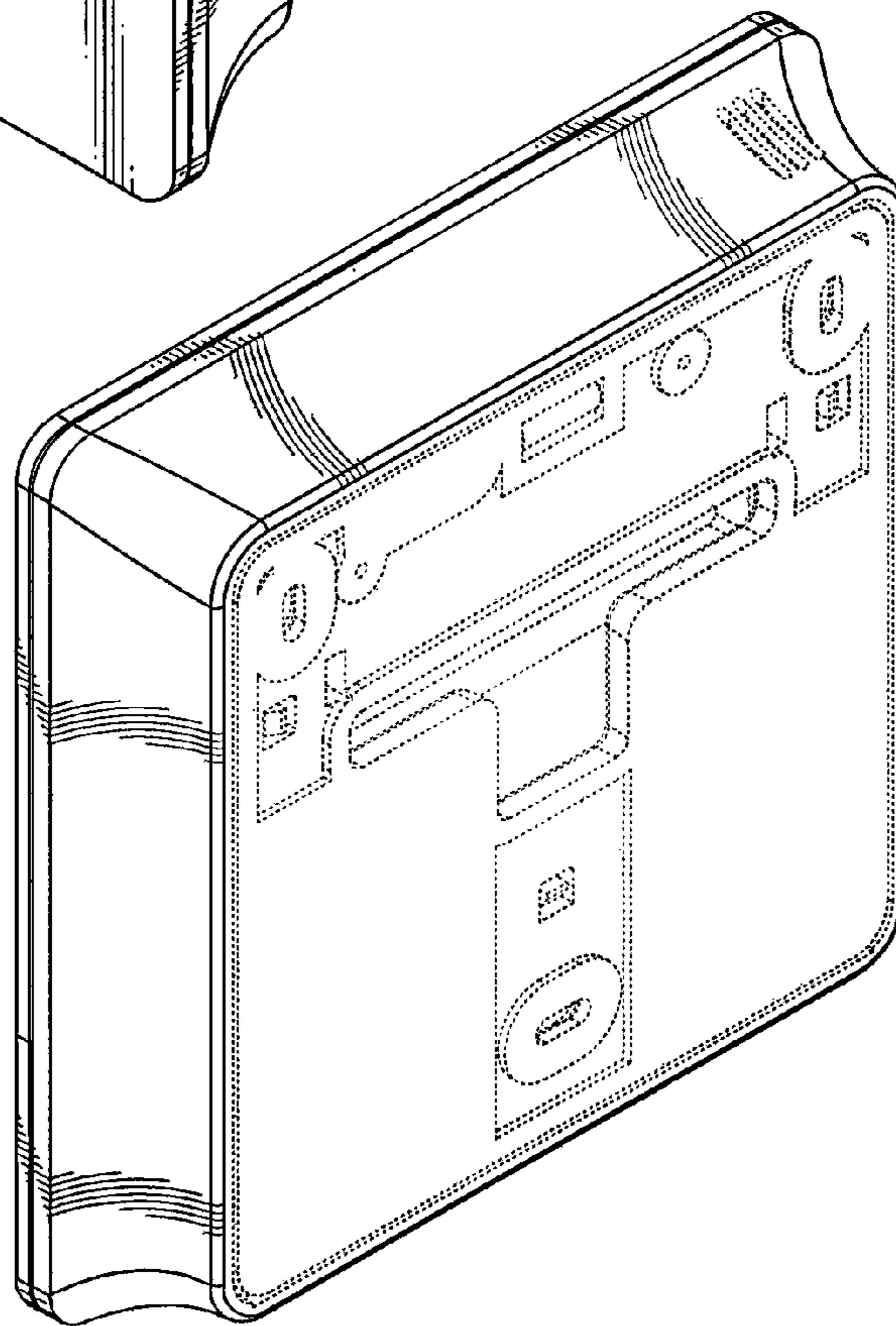


FIG. 10

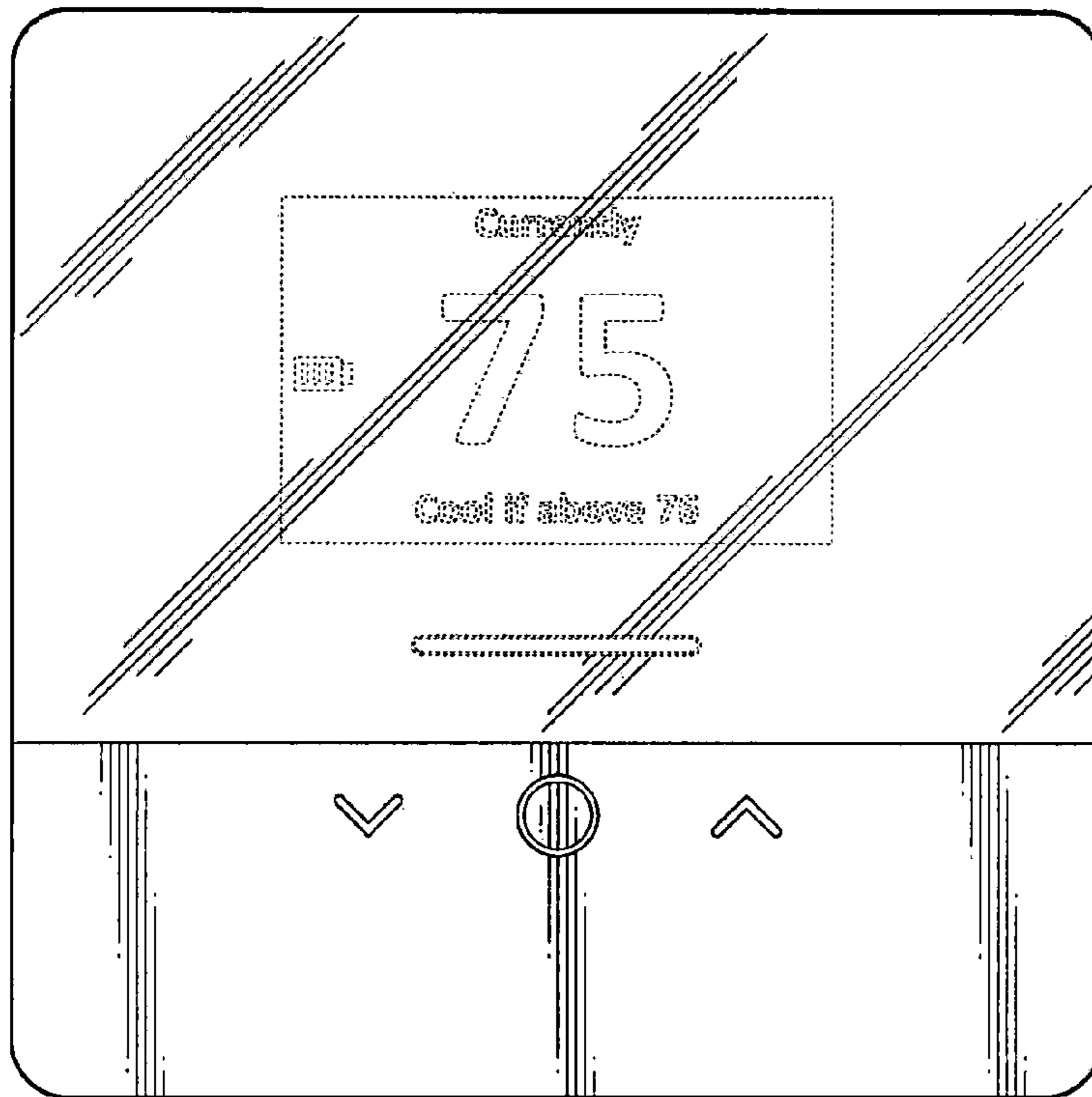


FIG. 11

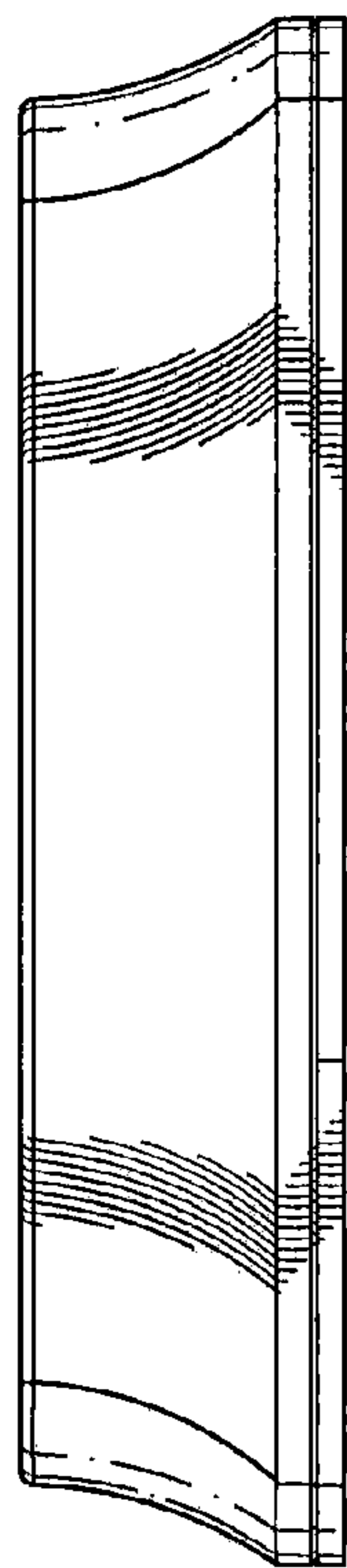


FIG. 12

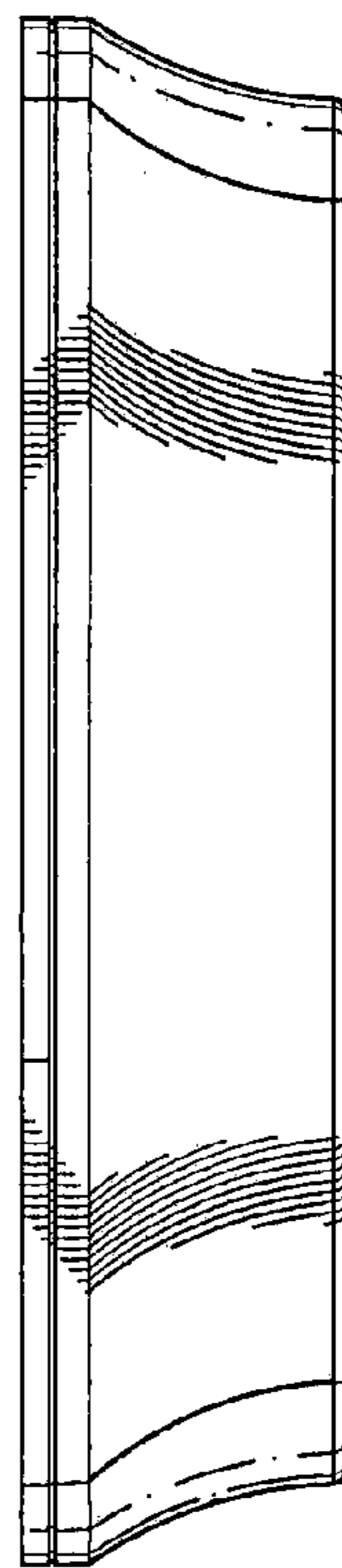


FIG. 13

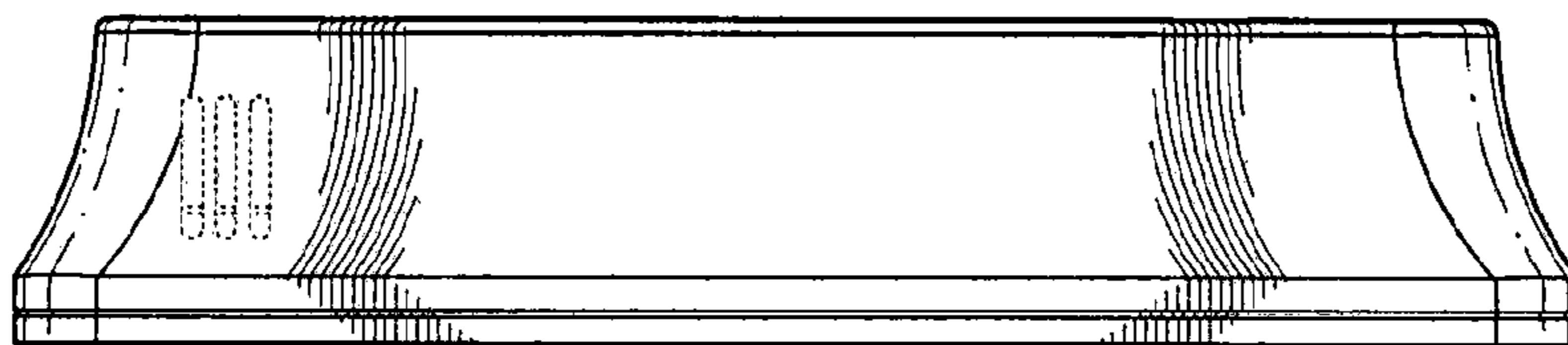


FIG. 14

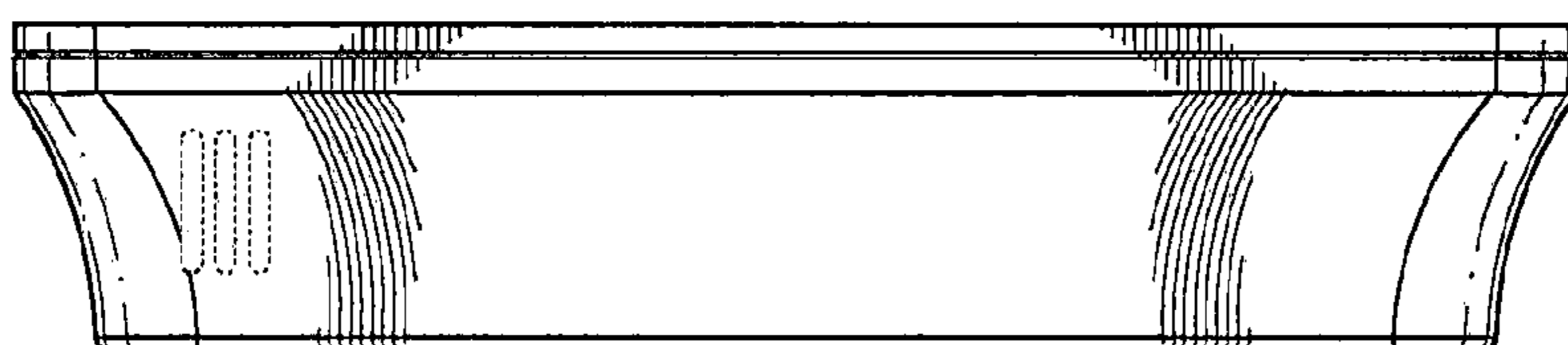


FIG. 15

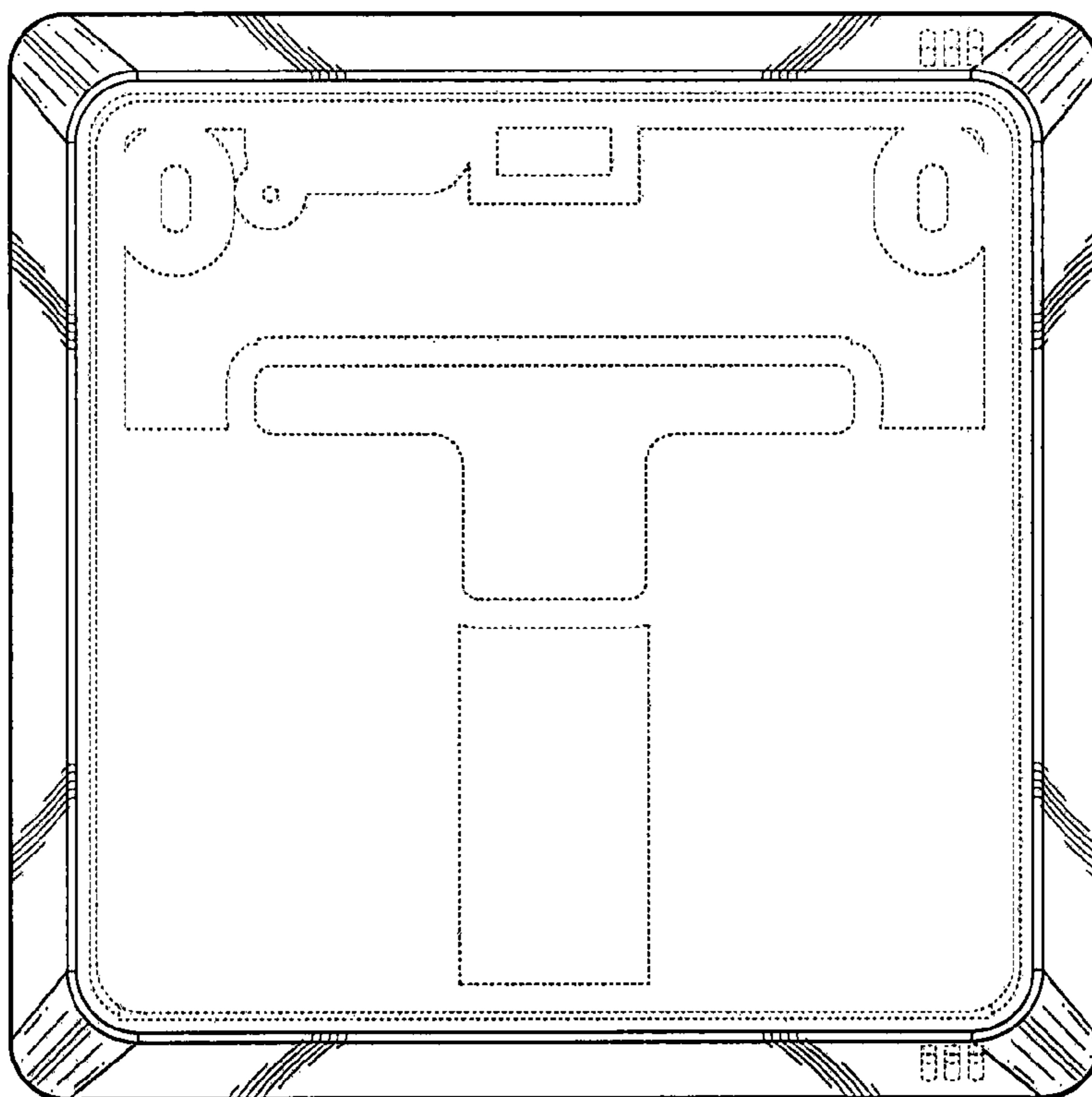


FIG. 16