



US00D737695S

(12) **United States Design Patent**
Angenendt et al.

(10) **Patent No.:** **US D737,695 S**
(45) **Date of Patent:** **** Sep. 1, 2015**

(54) **OPTOELECTRONIC SENSOR**

(71) Applicant: **SICK AG**, Waldkirch (DE)

(72) Inventors: **Christoph Angenendt**, Freiburg (DE);
Julia Bach, Ringsheim (DE); **Frank**
Haberstroh, Eichstetten (DE)

(73) Assignee: **SICK AG**, Waldkirch (DE)

(**) Term: **14 Years**

(21) Appl. No.: **29/487,870**

(22) Filed: **Apr. 14, 2014**

(30) **Foreign Application Priority Data**

Nov. 12, 2013 (EM) 002344028

(51) **LOC (10) Cl.** **10-04**

(52) **U.S. Cl.**
USPC **D10/46; D10/75**

(58) **Field of Classification Search**

USPC D10/46, 70, 75
CPC G01N 21/00-21/958; G01N
2021/0106-2021/9586; G01C 17/026; G01S
17/936; G01S 17/42; G01S 17/06; G01S
17/87; G01S 7/4817; G01S 7/42; G01S 7/87;
G01S 7/487; G01S 7/497; G01S 7/95; G01S
7/4812; G01S 7/484

See application file for complete search history.

(56) **References Cited**

U.S. PATENT DOCUMENTS

D531,525 S * 11/2006 Dold et al. D10/46
D659,030 S * 5/2012 Anselment et al. D10/46
8,735,792 B2 * 5/2014 Hammes et al. 250/205
2013/0341495 A1 * 12/2013 Fabbri et al. 250/214.1

* cited by examiner

Primary Examiner — Antoine D Davis

(74) *Attorney, Agent, or Firm* — Nath, Goldberg & Meyer;
Jerald L. Meyer; Rury L. Grisham

(57) **CLAIM**

The ornamental design for optoelectronic sensor, as shown
and described.

DESCRIPTION

The file of this patent contains at least one drawing executed
in color. Copies of this patent with color drawing(s) will be
provided by the Patent and Trademark Office upon request
and payment of the necessary fee.

FIG. 1 is a perspective view of the claimed design;

FIG. 2 is a front view thereof;

FIG. 3 is a back view thereof;

FIG. 4 is a right side view thereof;

FIG. 5 is a left side view thereof;

FIG. 6 is a top view thereof;

FIG. 7 is a bottom view thereof;

FIG. 8 is a perspective view of a second embodiment of the
claimed design;

FIG. 9 is a front view thereof;

FIG. 10 is a back view thereof;

FIG. 11 is a right side view thereof;

FIG. 12 is a left side view thereof;

FIG. 13 is a top view thereof;

FIG. 14 is a bottom view thereof;

FIG. 15 is a perspective view of a third embodiment of the
claimed design;

FIG. 16 is a front view thereof;

FIG. 17 is a back view thereof;

FIG. 18 is a right side view thereof;

FIG. 19 is a left side view thereof;

FIG. 20 is a top view thereof; and,

FIG. 21 is a bottom view thereof.

1 Claim, 21 Drawing Sheets
(21 of 21 Drawing Sheet(s) Filed in Color)





FIG. 1



FIG. 2

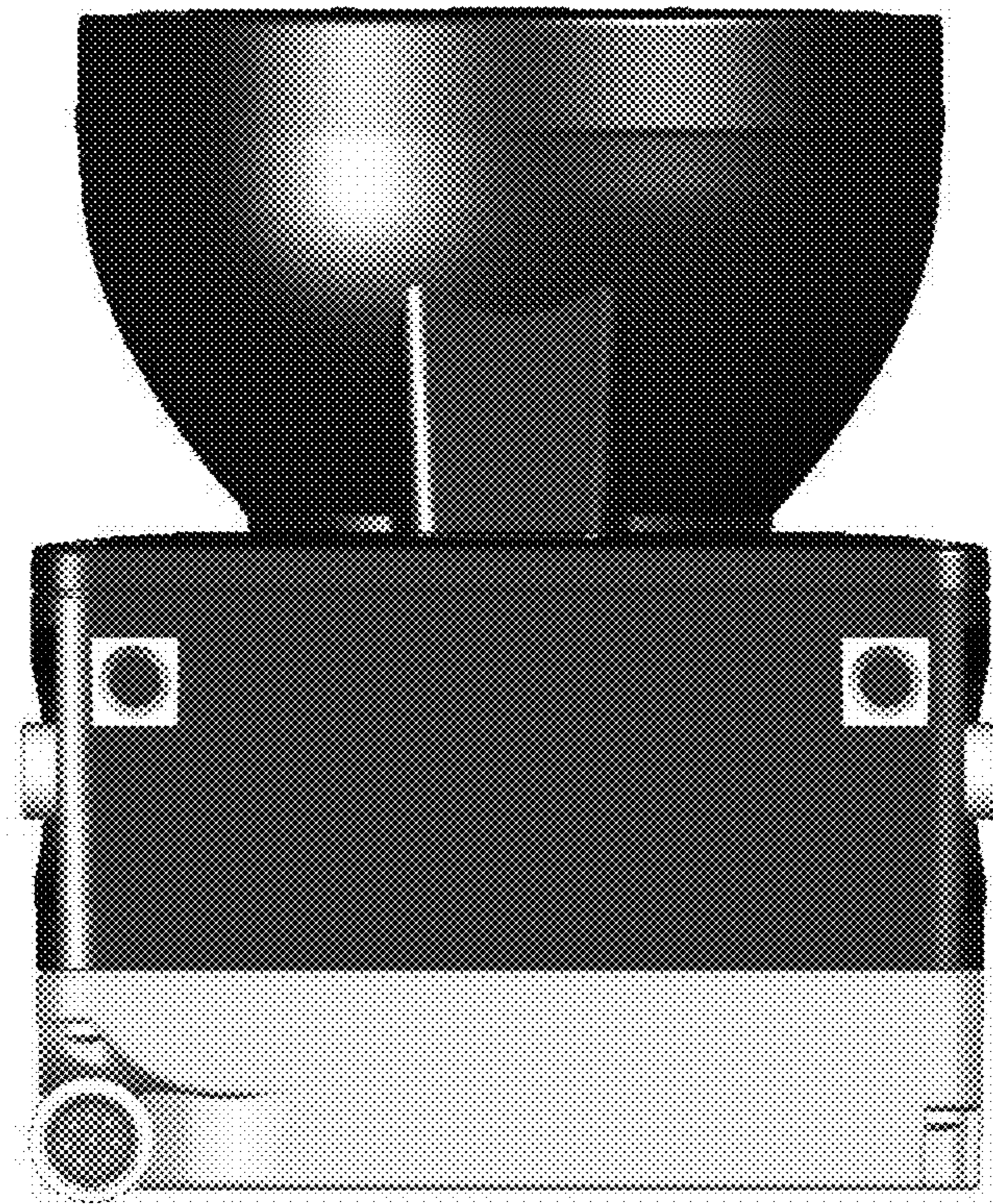


FIG. 3

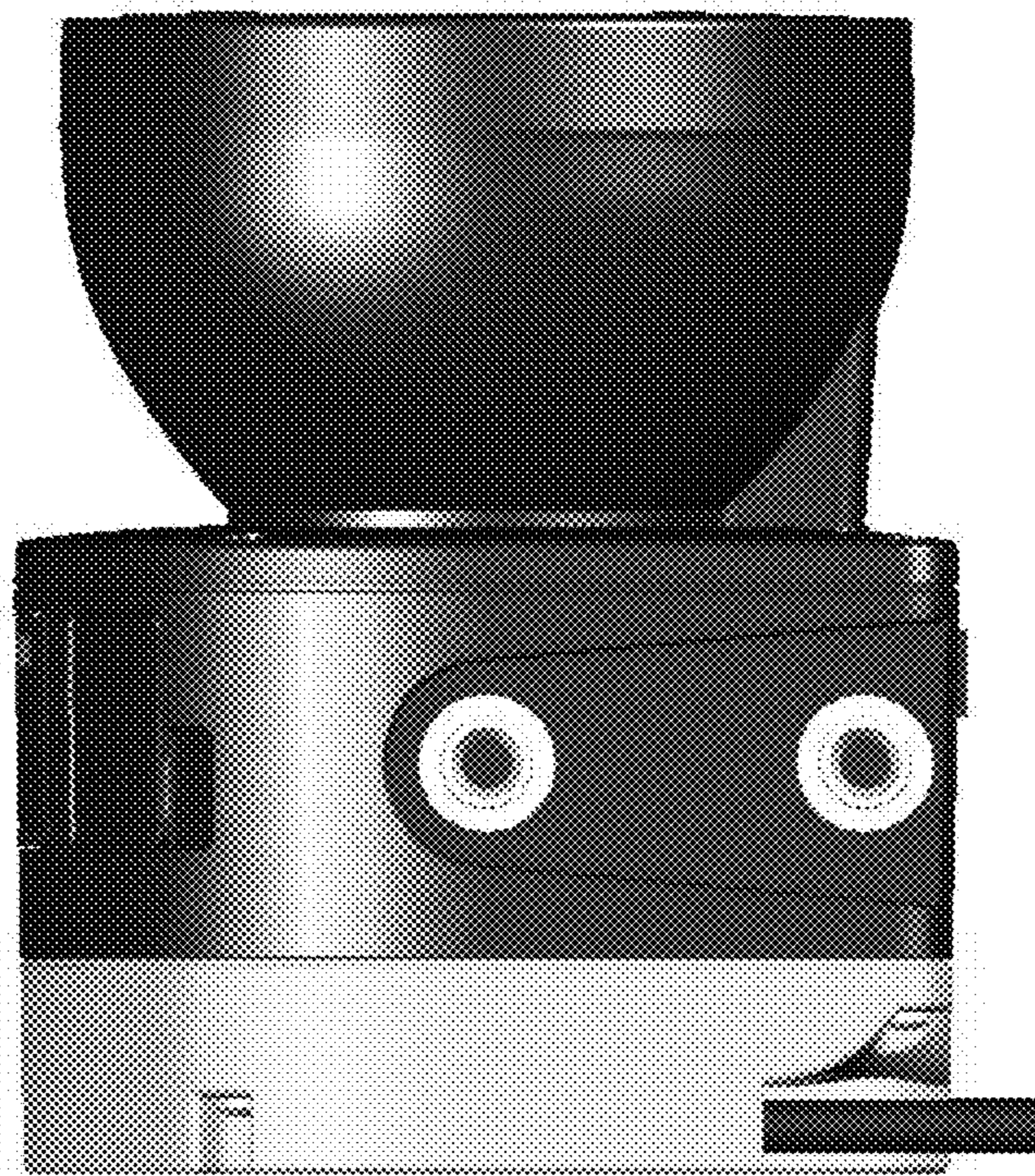


FIG. 4



FIG. 5

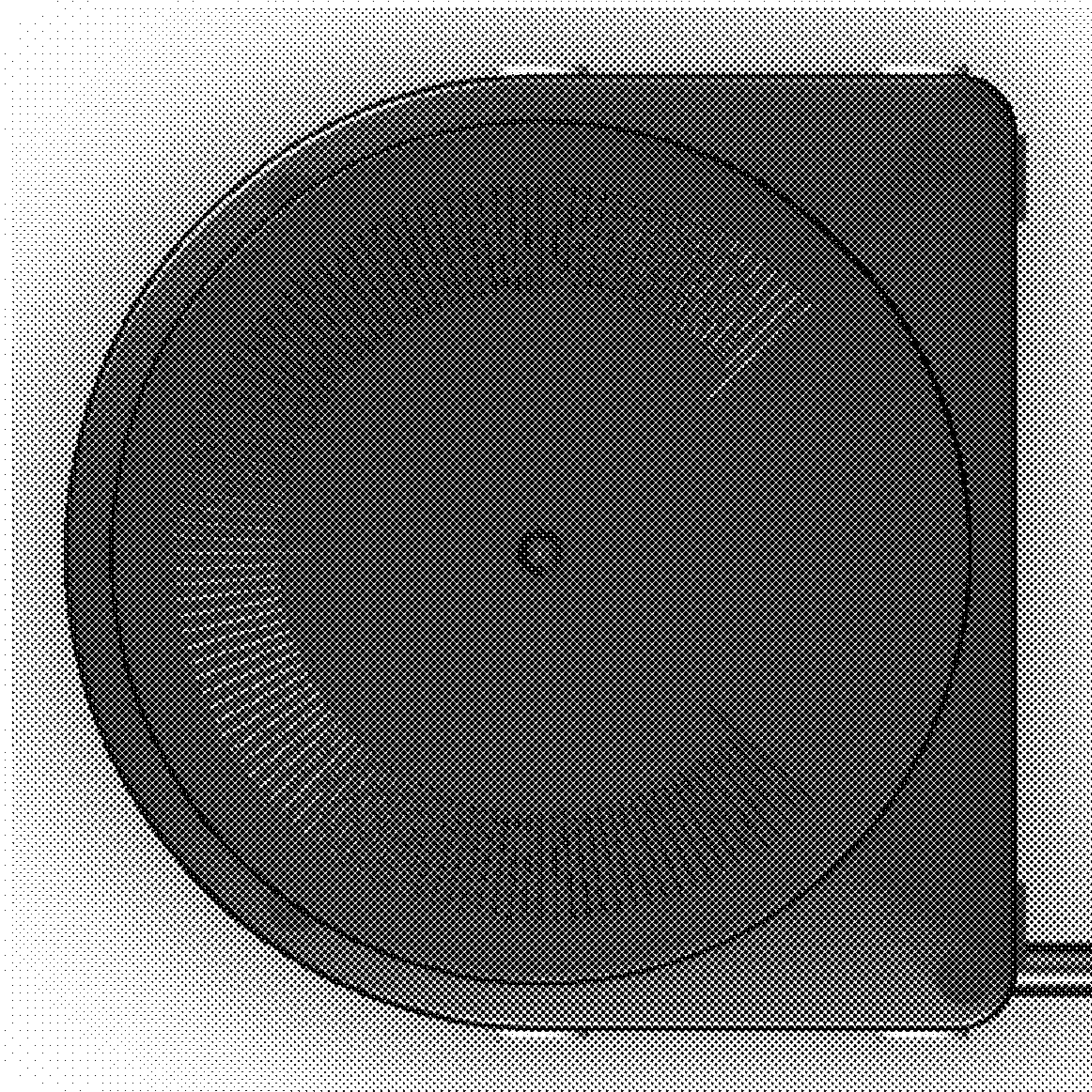


FIG. 6

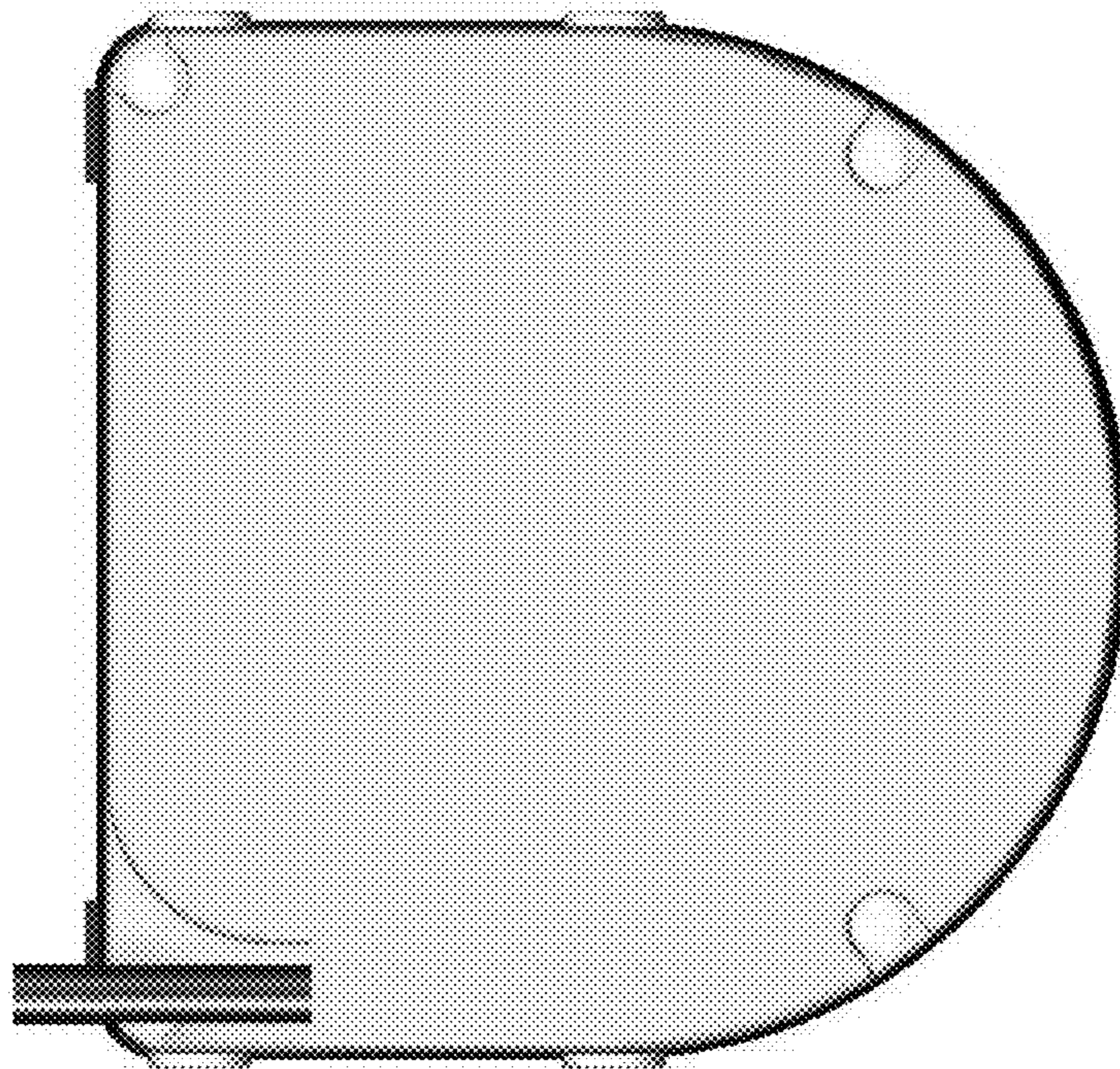


FIG. 7



FIG. 8



FIG. 9

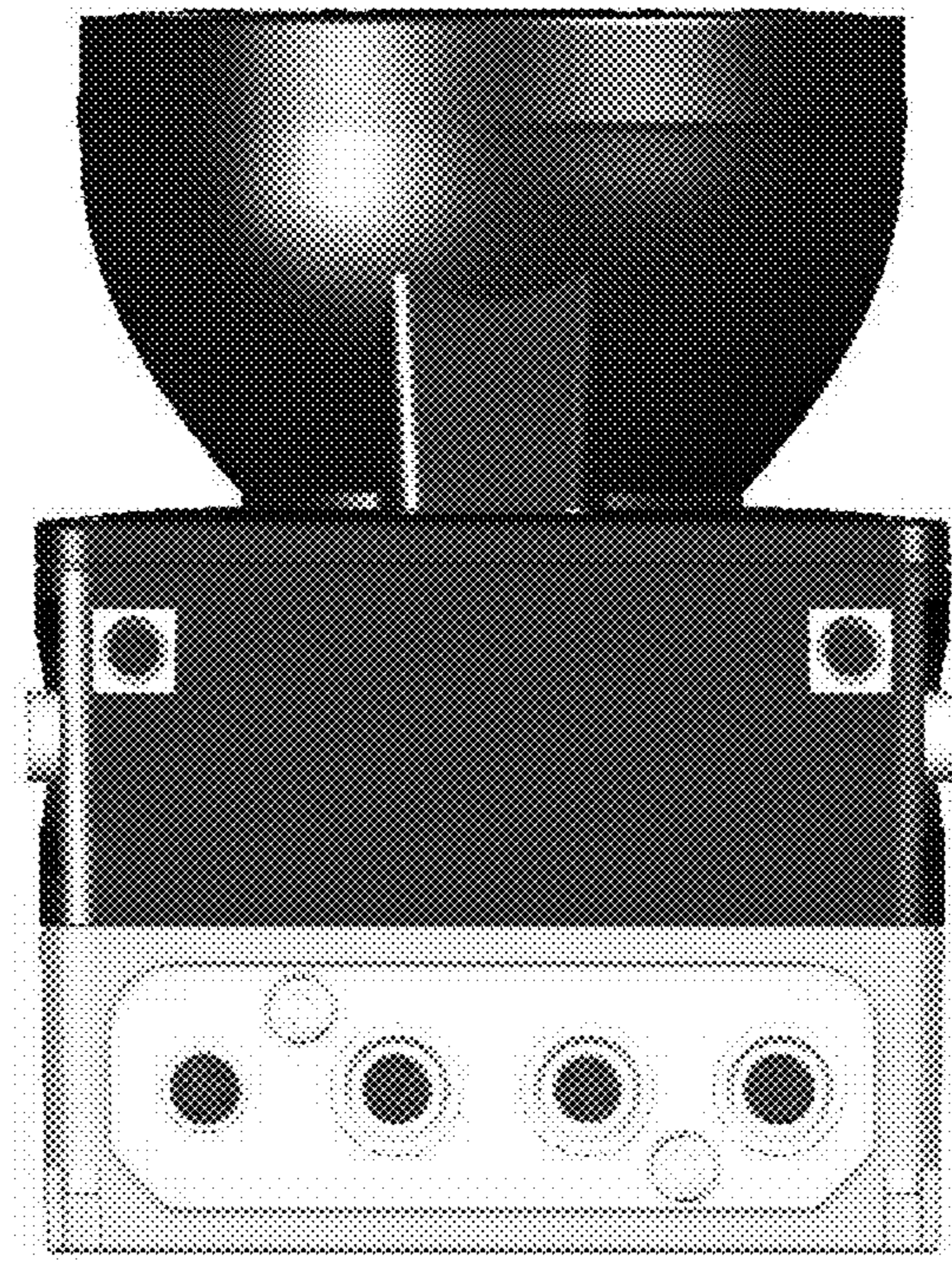


FIG. 10

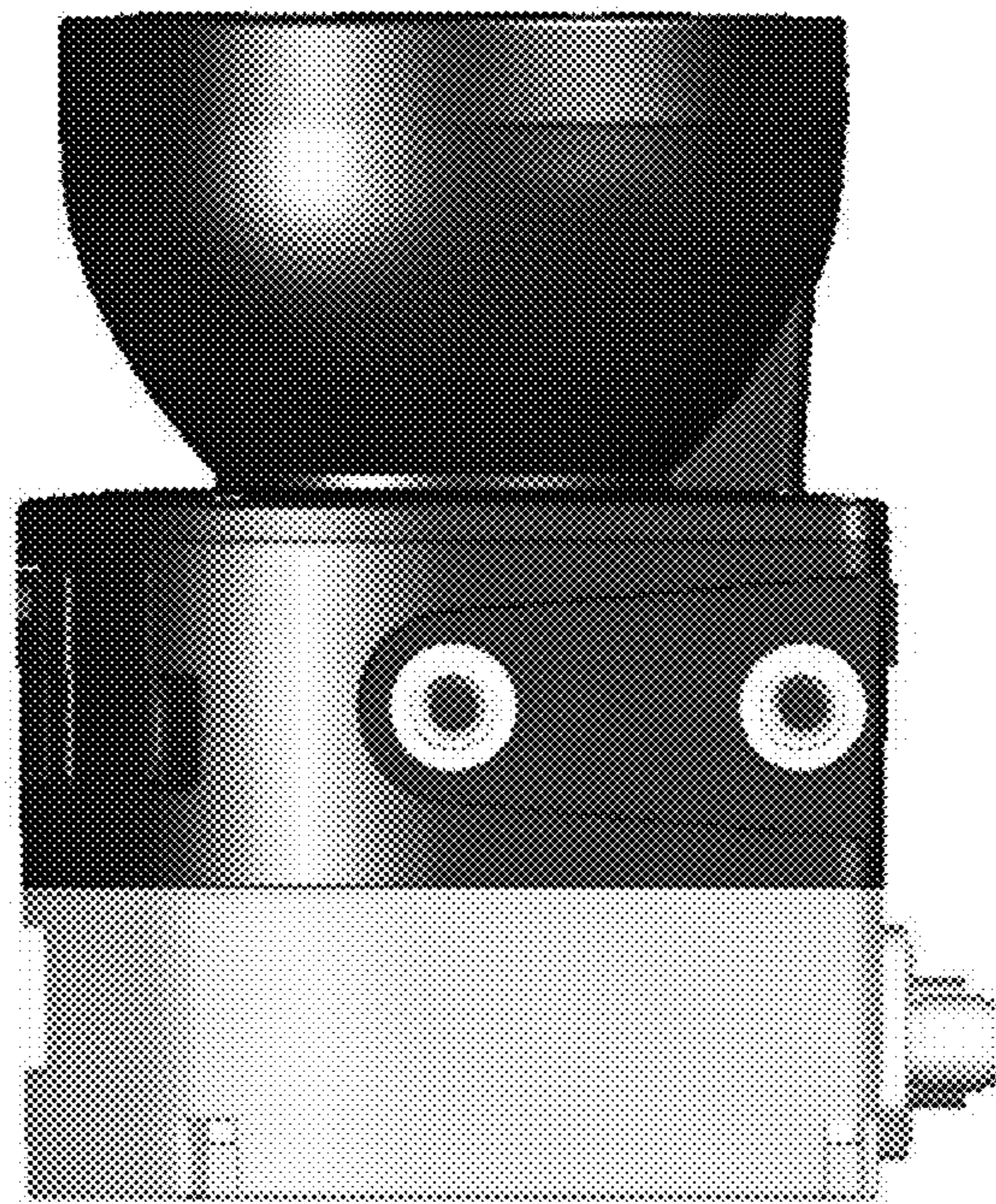


FIG. 11



FIG. 12

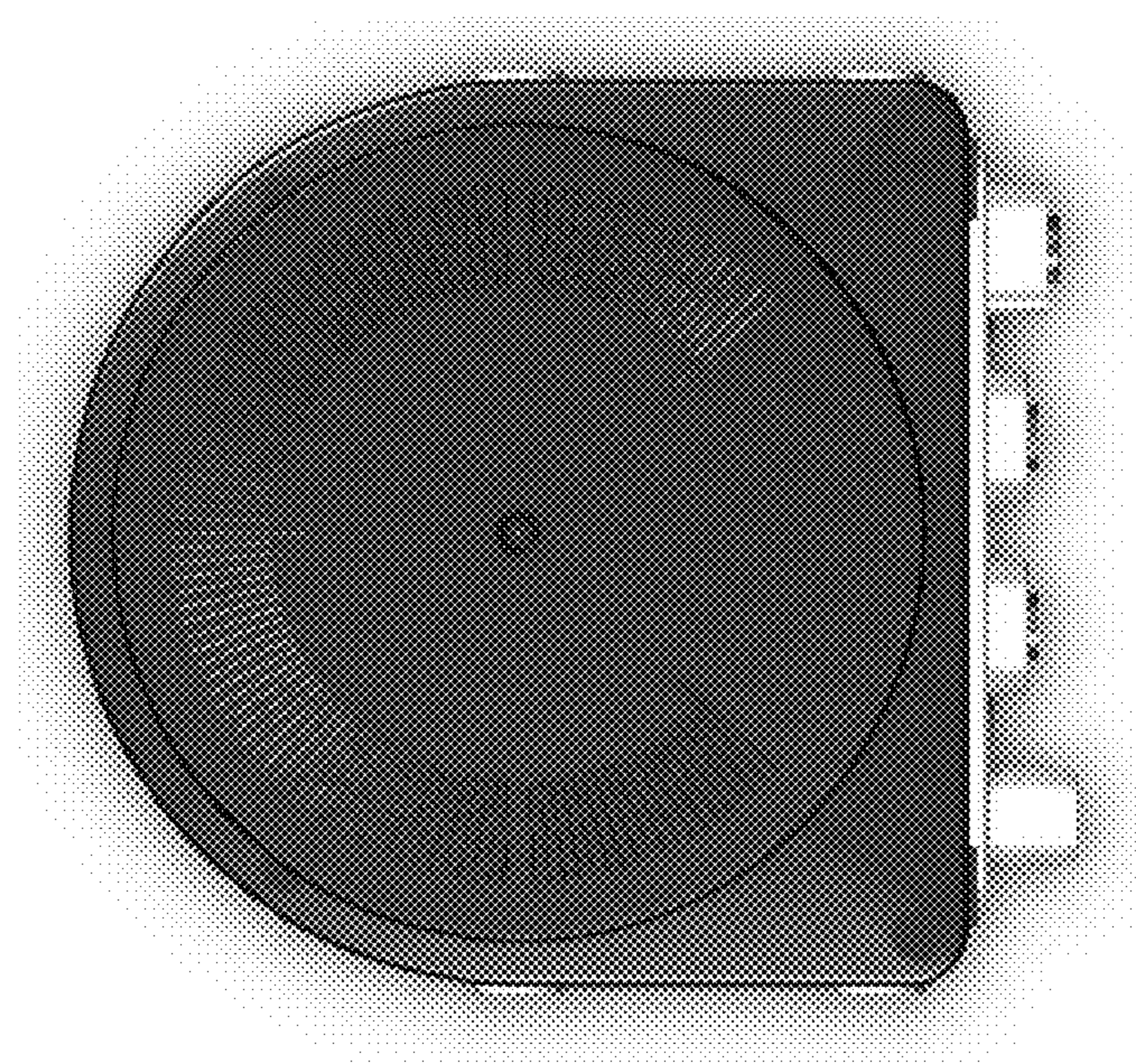


FIG. 13

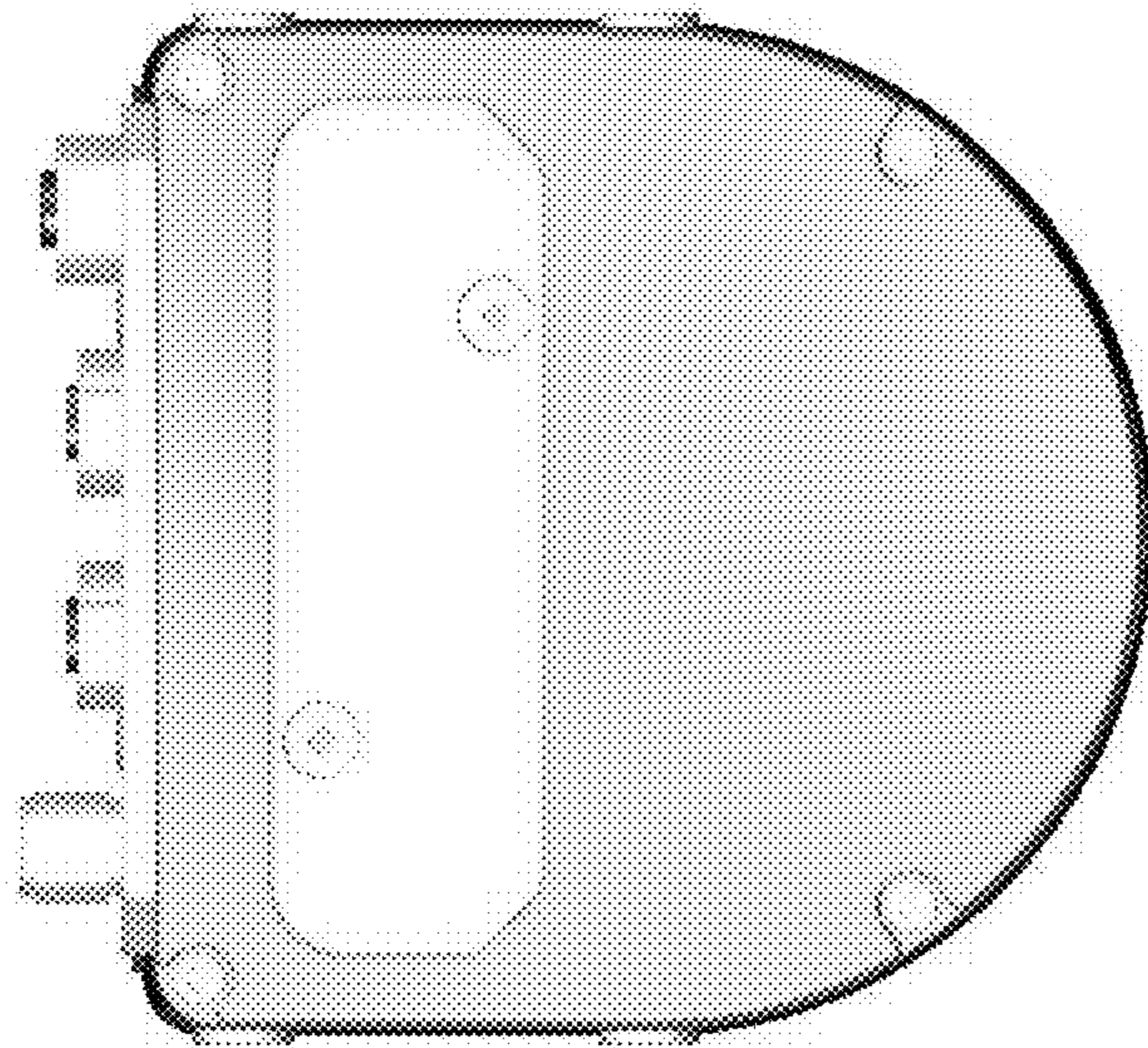


FIG. 14



FIG. 15

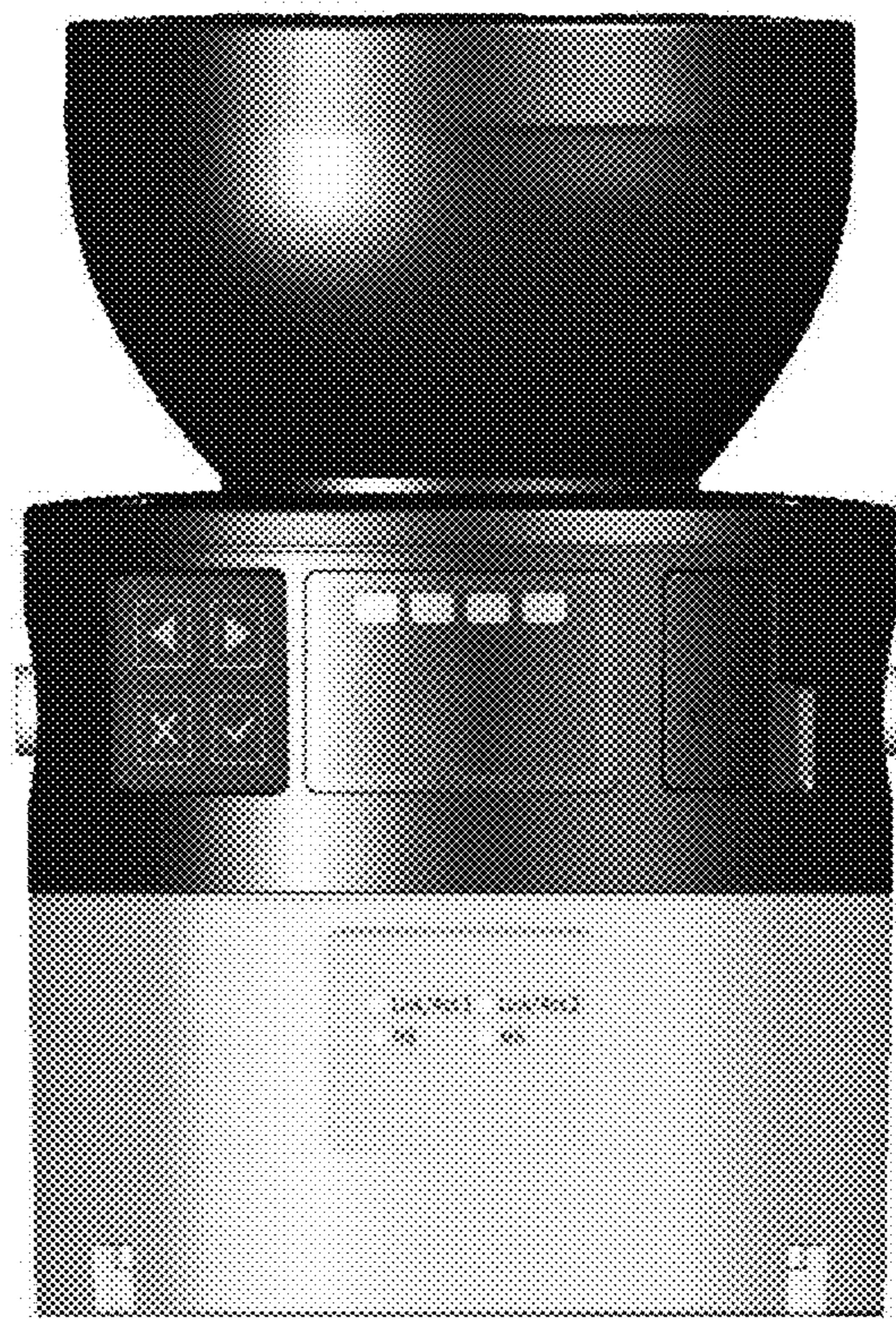


FIG. 16

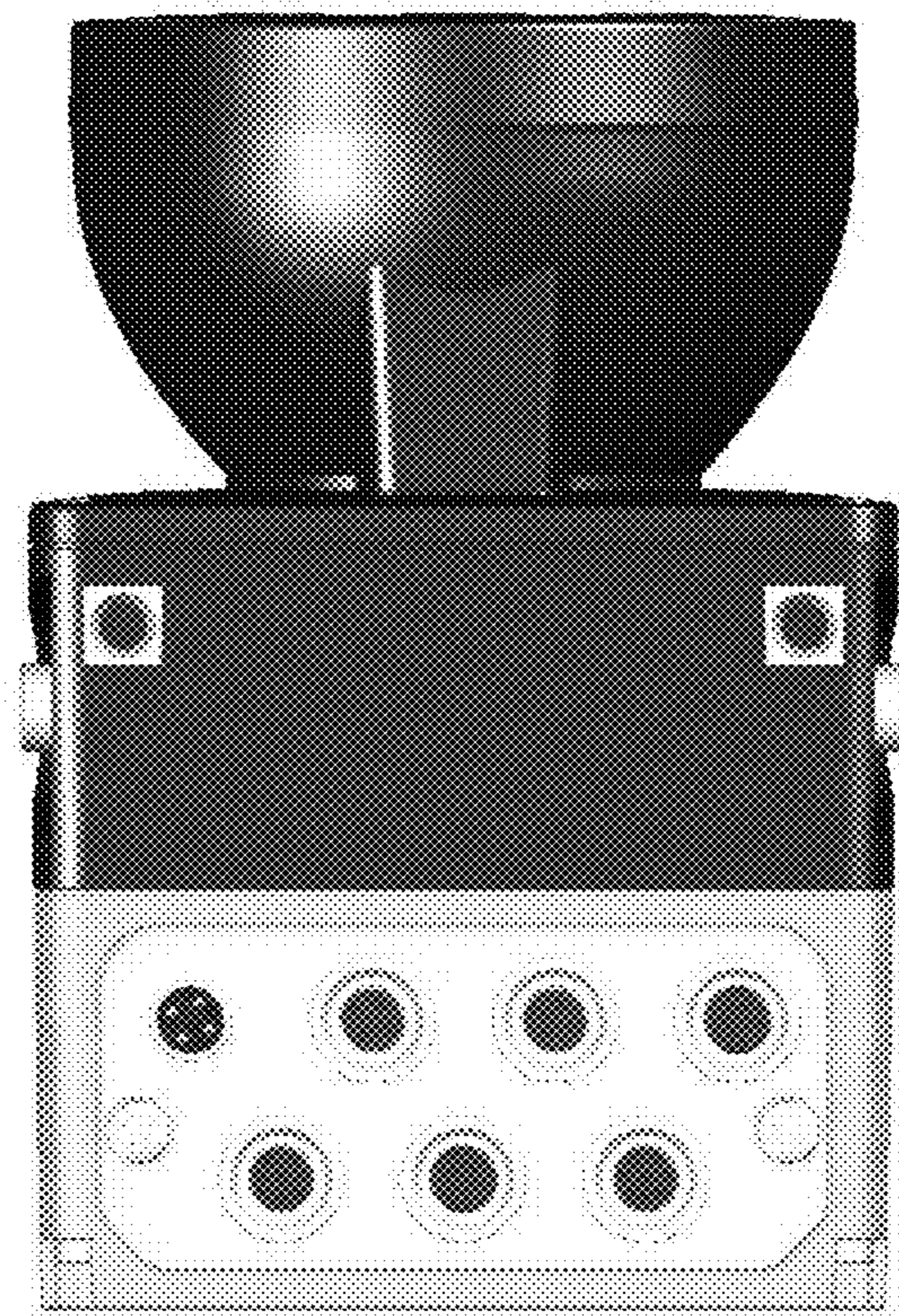


FIG. 17

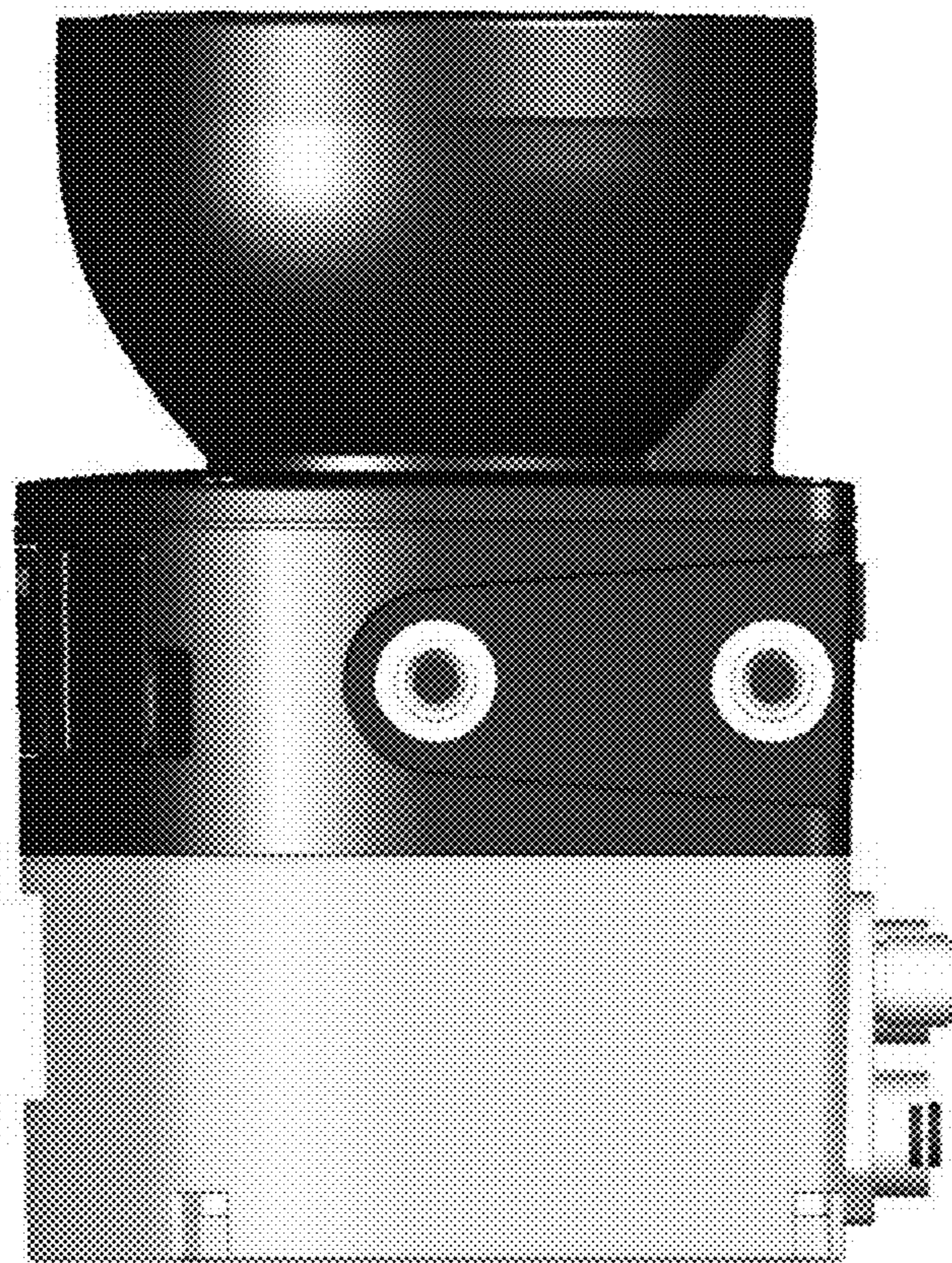


FIG. 18

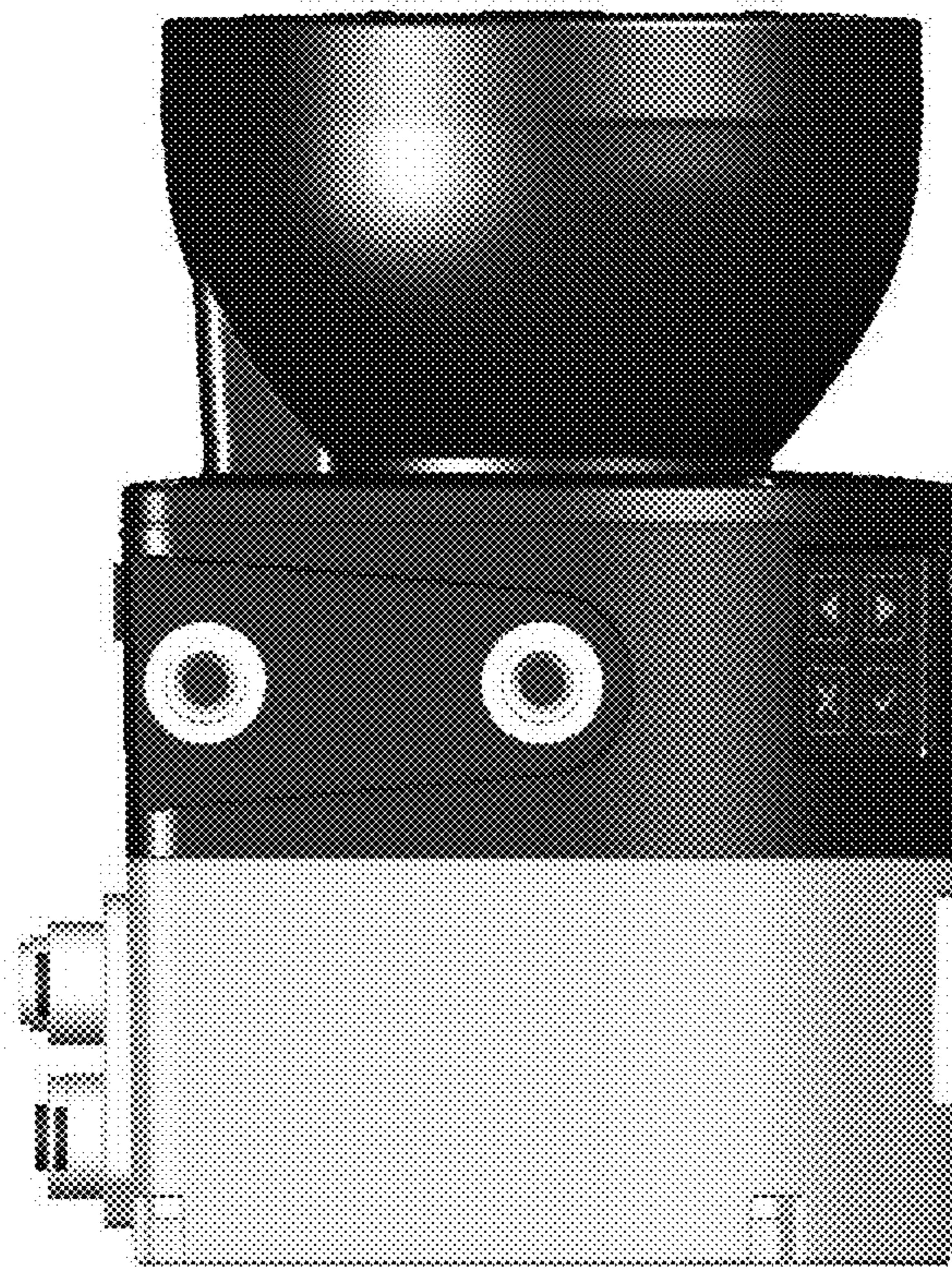


FIG. 19

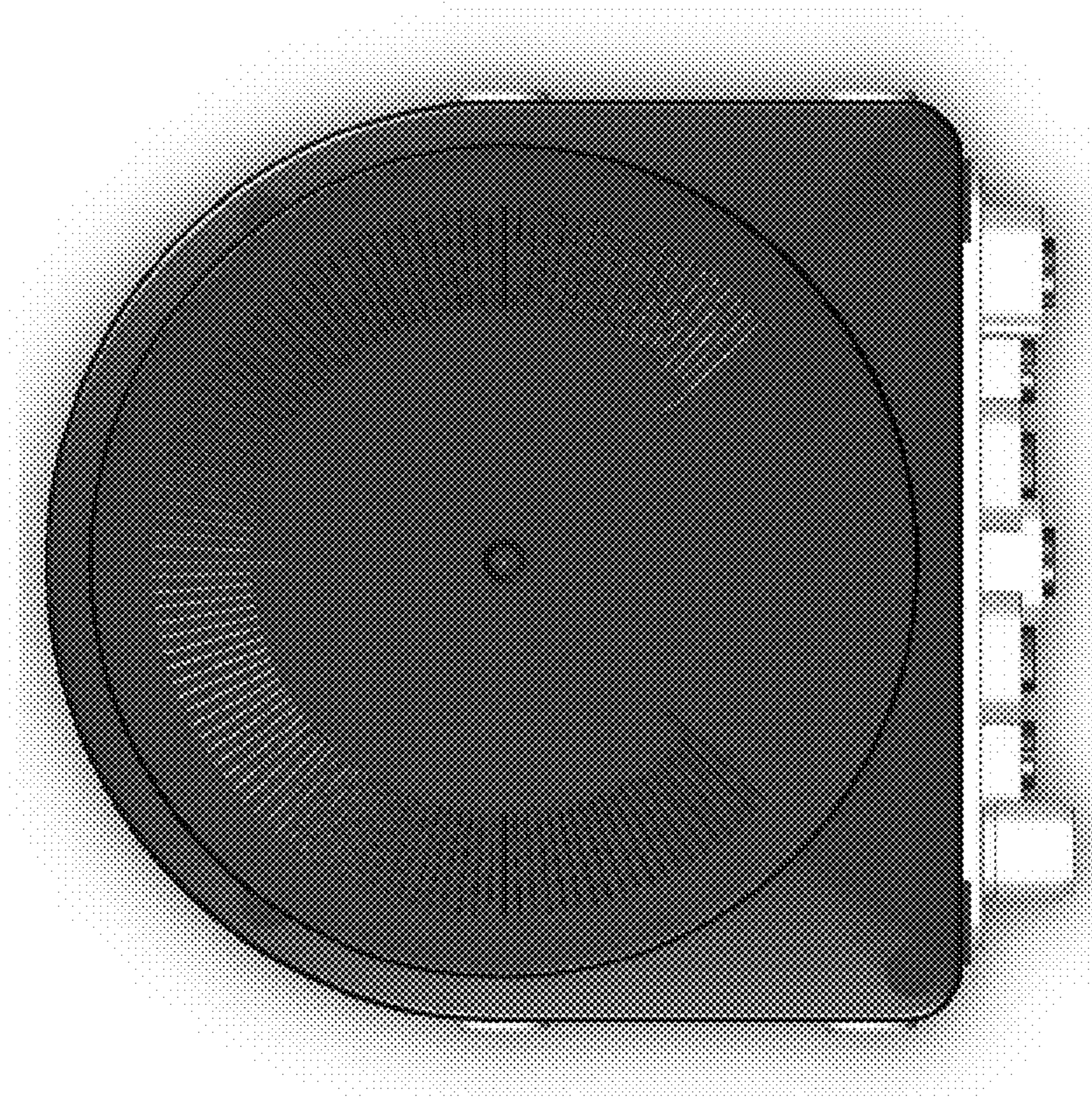


FIG. 20

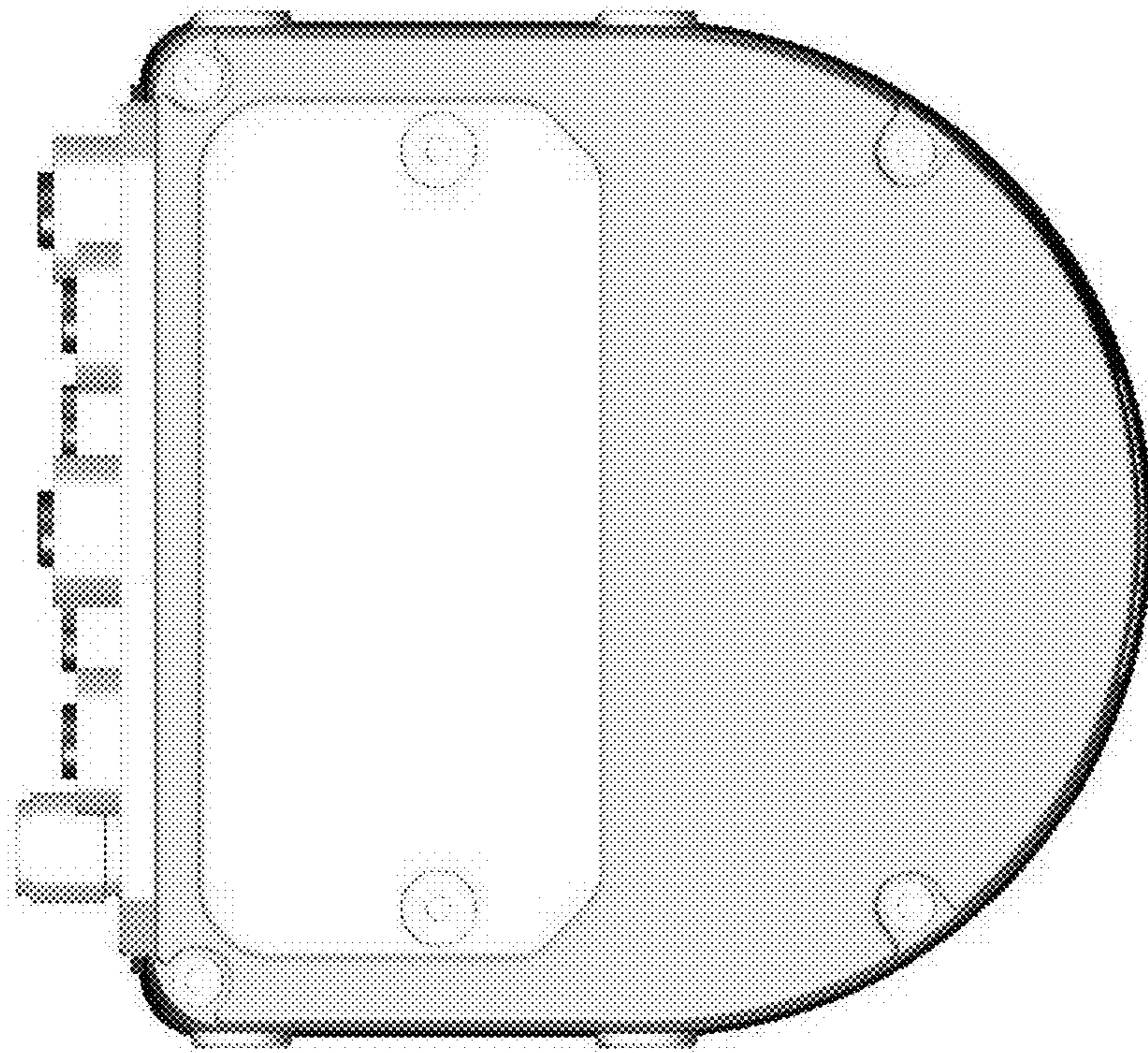


FIG. 21