



US00D737693S

(12) **United States Design Patent**  
**Mille**

(10) **Patent No.:** **US D737,693 S**

(45) **Date of Patent:** **\*\* Sep. 1, 2015**

(54) **WATCH**

(71) Applicant: **Turlen Holding SA**, Soyhieres (CH)

(72) Inventor: **Richard Mille**, Moulins (FR)

(73) Assignee: **TURLEN HOLDING SA**, Soyhieres (CH)

(\*\*) Term: **14 Years**

(21) Appl. No.: **29/473,192**

(22) Filed: **Nov. 20, 2013**

(30) **Foreign Application Priority Data**

Aug. 23, 2013 (WO) ..... DM/081 618

(51) **LOC (10) Cl.** ..... **10-02**

(52) **U.S. Cl.**  
USPC ..... **D10/39**

(58) **Field of Classification Search**  
USPC ..... D10/30-39, 122-132; 368/276, 281,  
368/282, 285

CPC .... G04B 45/02; G04B 37/0008; G04B 29/00;  
G04B 29/04; G04B 15/00; G04B 1/16;  
G04B 17/285; G04B 17/06

See application file for complete search history.

(56) **References Cited**

**U.S. PATENT DOCUMENTS**

3,685,282 A \* 8/1972 Kock ..... 368/131  
4,534,660 A \* 8/1985 Laesser ..... 368/220  
D432,926 S \* 10/2000 Modolo ..... D10/39  
D456,274 S \* 4/2002 Mille ..... D10/30  
6,612,734 B1 \* 9/2003 Watanabe et al. .... 368/175  
D616,312 S \* 5/2010 Ellia ..... D10/39  
7,794,137 B2 \* 9/2010 Golay et al. .... 368/127

D640,576 S \* 6/2011 Nashimoto ..... D10/38  
D658,514 S \* 5/2012 Mille ..... D10/39  
D658,516 S \* 5/2012 Mille ..... D10/39  
D664,047 S \* 7/2012 Mille ..... D10/39  
8,328,413 B2 \* 12/2012 Lechot et al. .... 368/124  
D673,868 S \* 1/2013 Mille ..... D10/39  
D680,885 S \* 4/2013 Mille ..... D10/38  
D689,378 S \* 9/2013 Mille ..... D10/34  
D691,902 S \* 10/2013 Mille ..... D10/39  
D714,662 S \* 10/2014 Mille ..... D10/39  
D723,945 S \* 3/2015 Le Bot et al. .... D10/30

**OTHER PUBLICATIONS**

Wristwatch Annual, The Catalog of Producers, Prices, Models and Specifications, 2008, Abbeville Press Publishers, p. 295, Richard Mille watches.\*

\* cited by examiner

*Primary Examiner* — Lucy Lieberman

(74) *Attorney, Agent, or Firm* — Donald J. Ranft; Kristen A. Mogavero; Collen IP

(57) **CLAIM**

The ornamental design for a watch, as shown.

**DESCRIPTION**

FIG. 1 is a front right perspective view of a watch showing my new design;

FIG. 2 is a front left perspective view thereof;

FIG. 3 is a rear right perspective view thereof;

FIG. 4 is a rear left perspective view thereof;

FIG. 5 is a right side view thereof;

FIG. 6 is a left side view thereof;

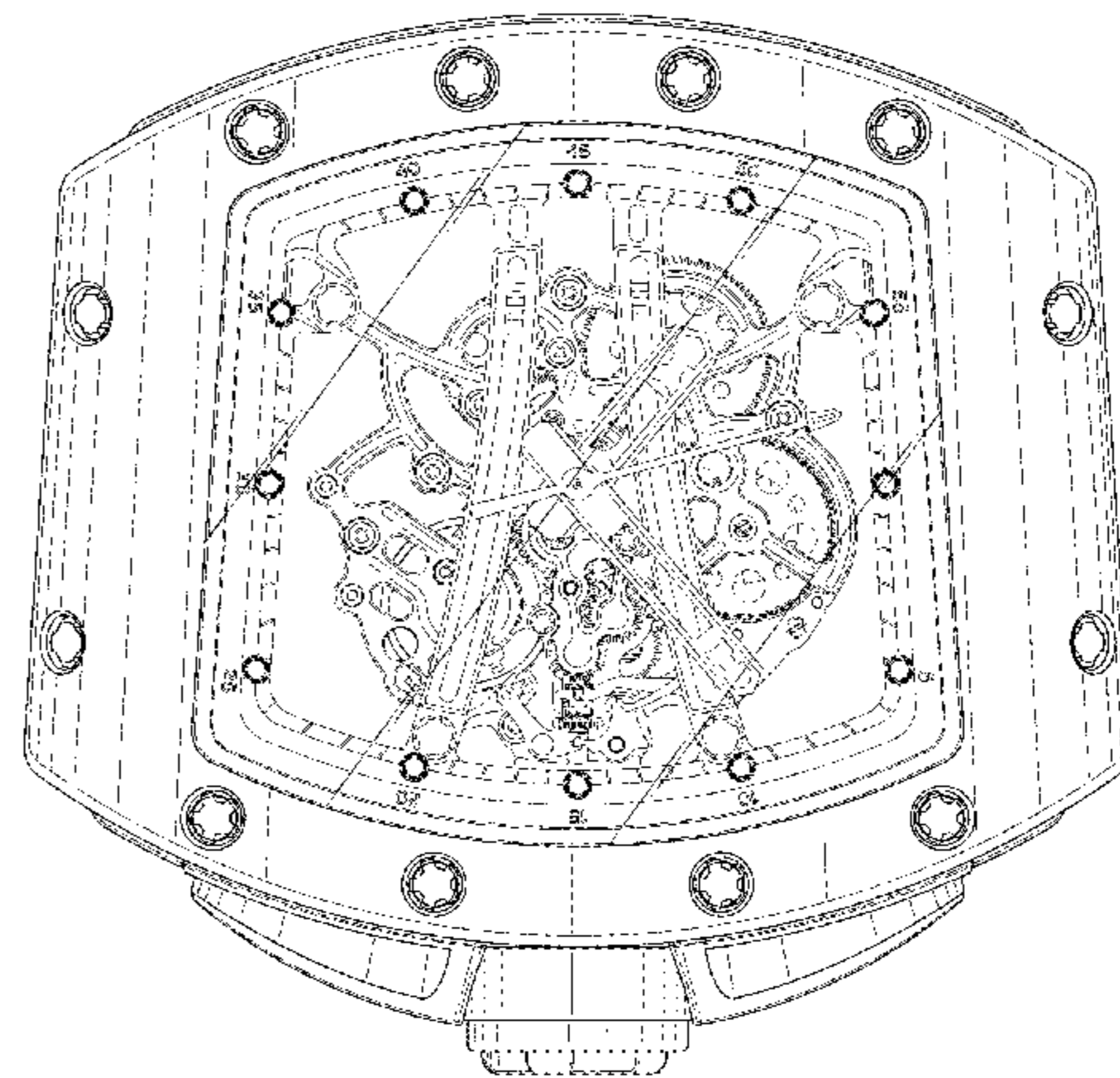
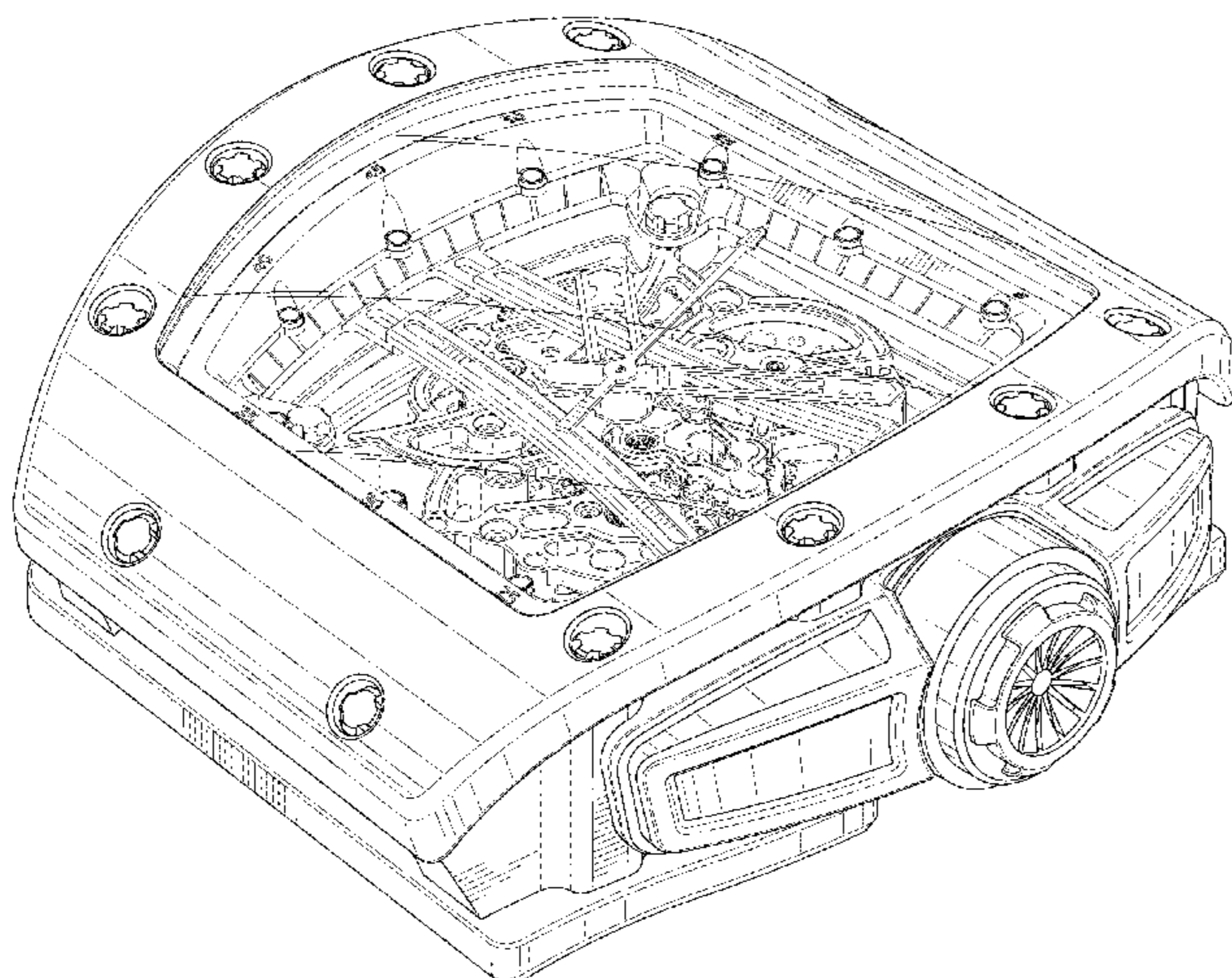
FIG. 7 is a bottom view thereof;

FIG. 8 is a top view thereof;

FIG. 9 is a front view thereof; and,

FIG. 10 is a rear view thereof.

**1 Claim, 10 Drawing Sheets**



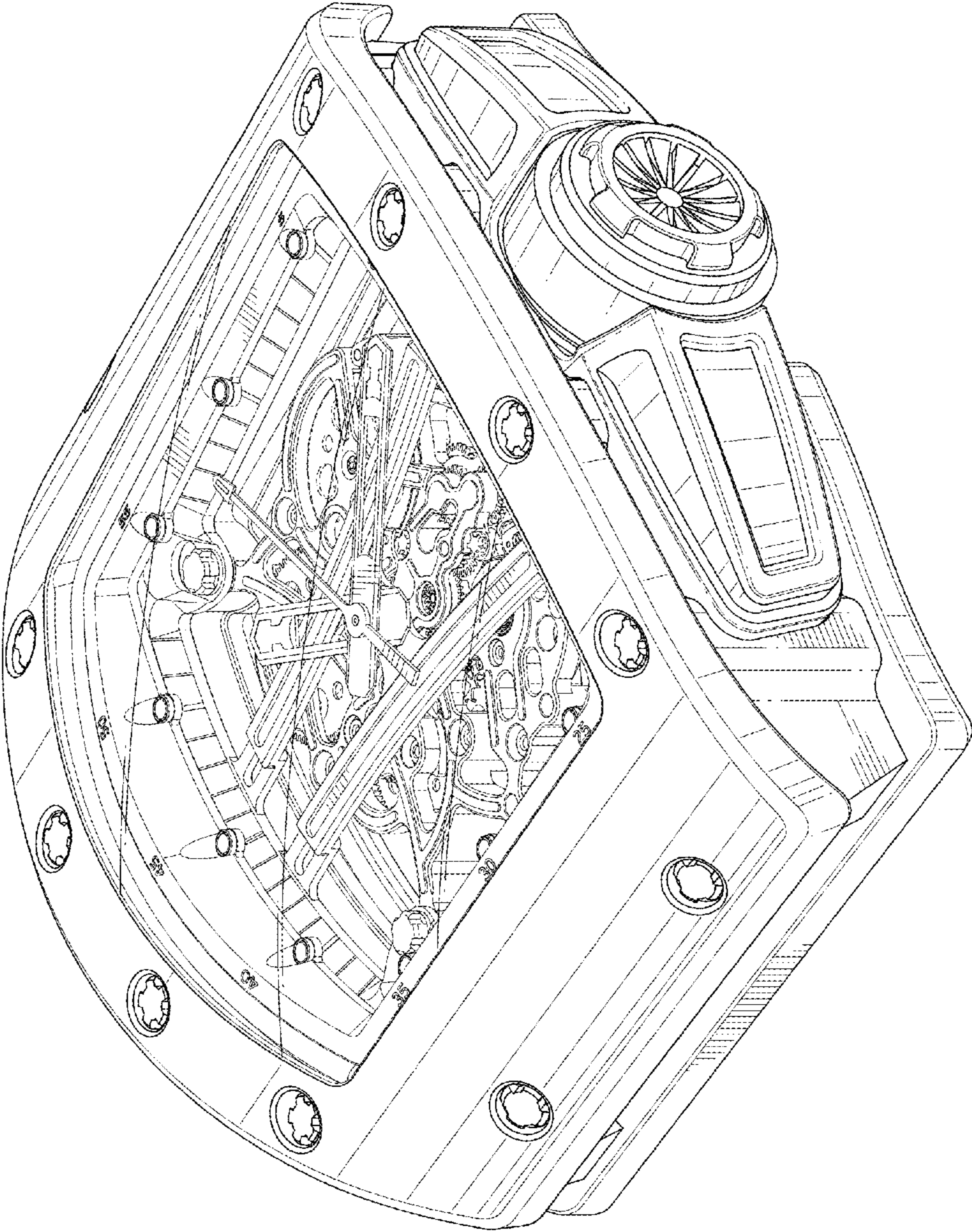


FIG. 1

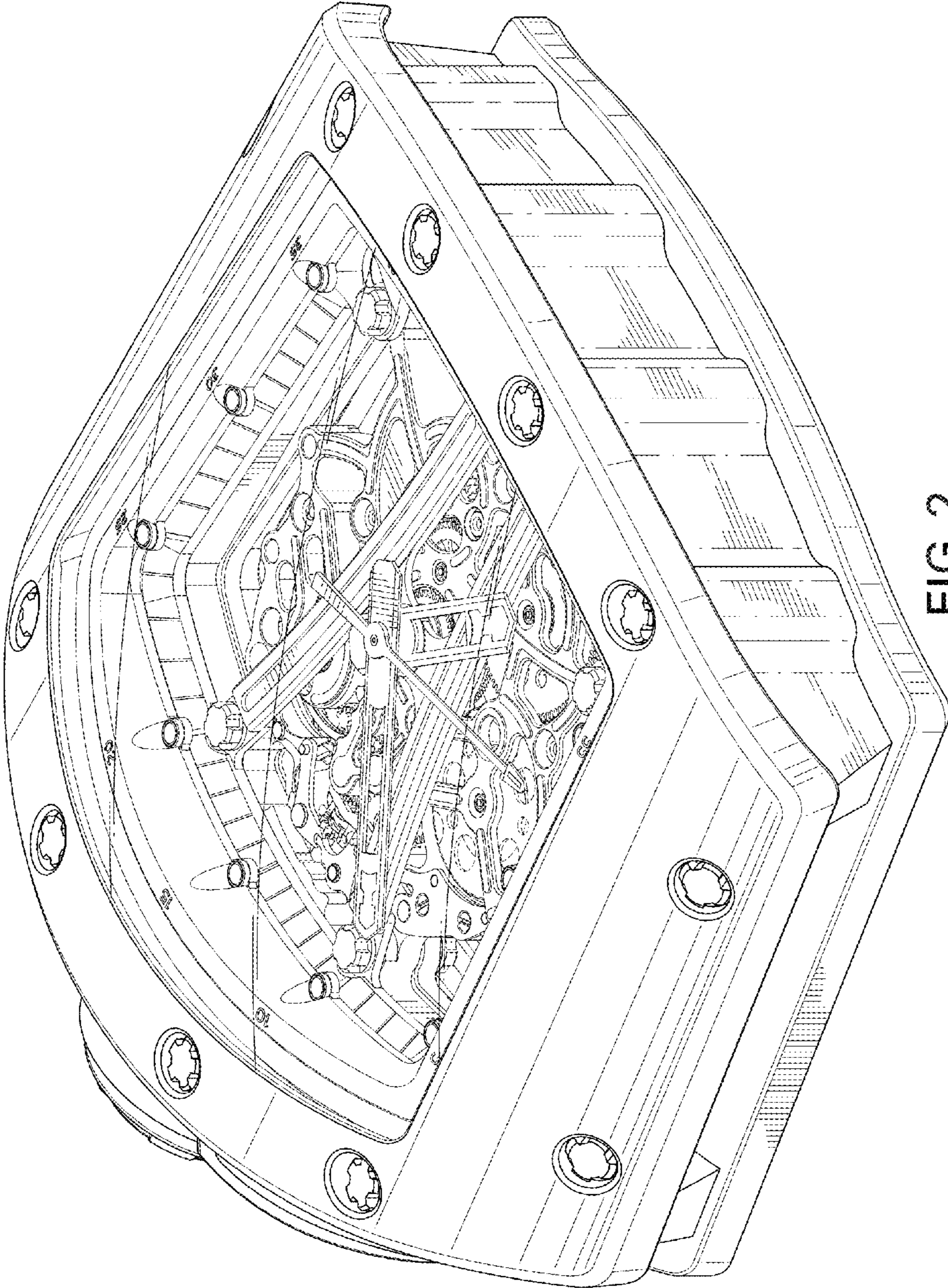


FIG. 2

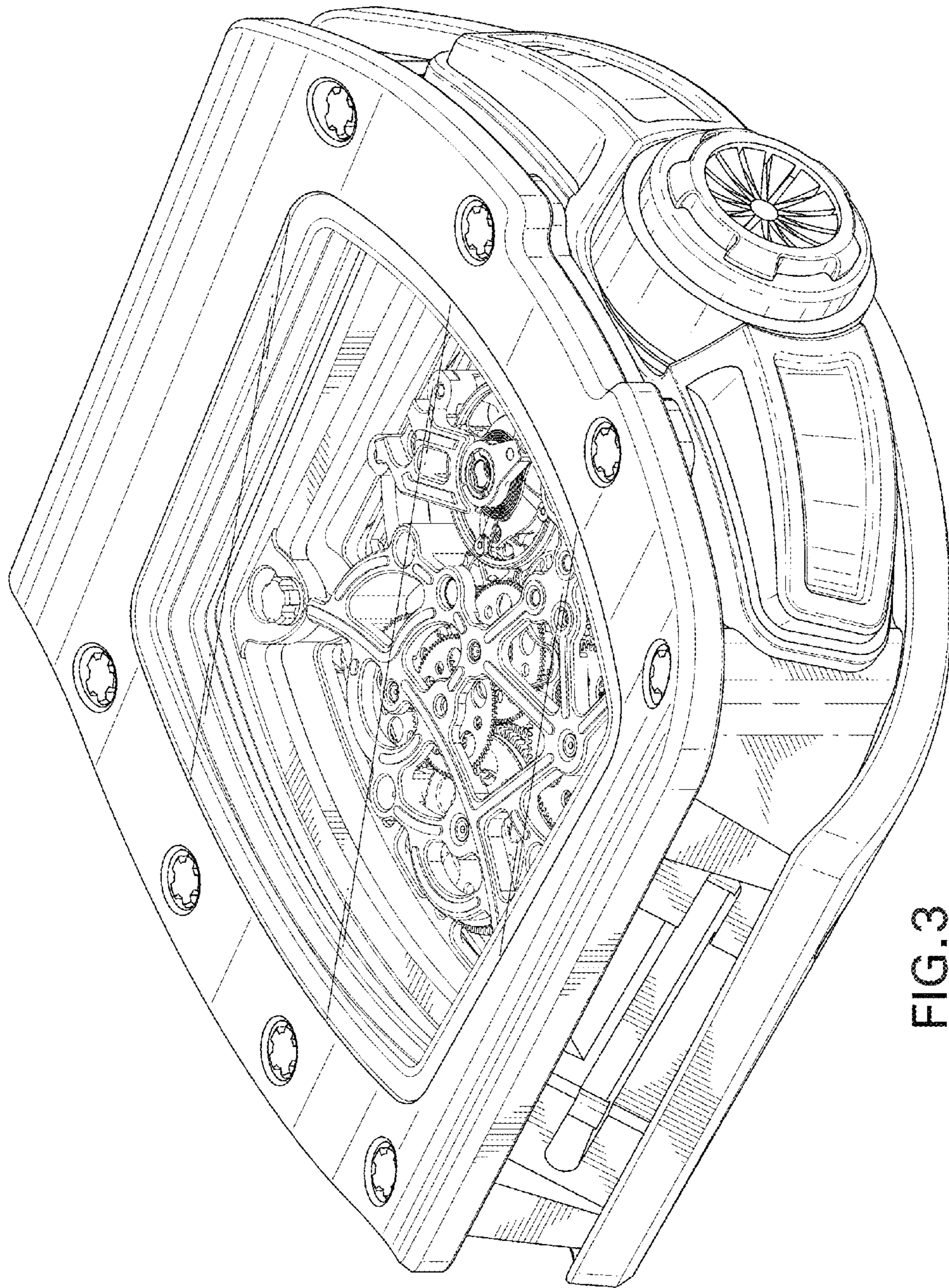


FIG. 3

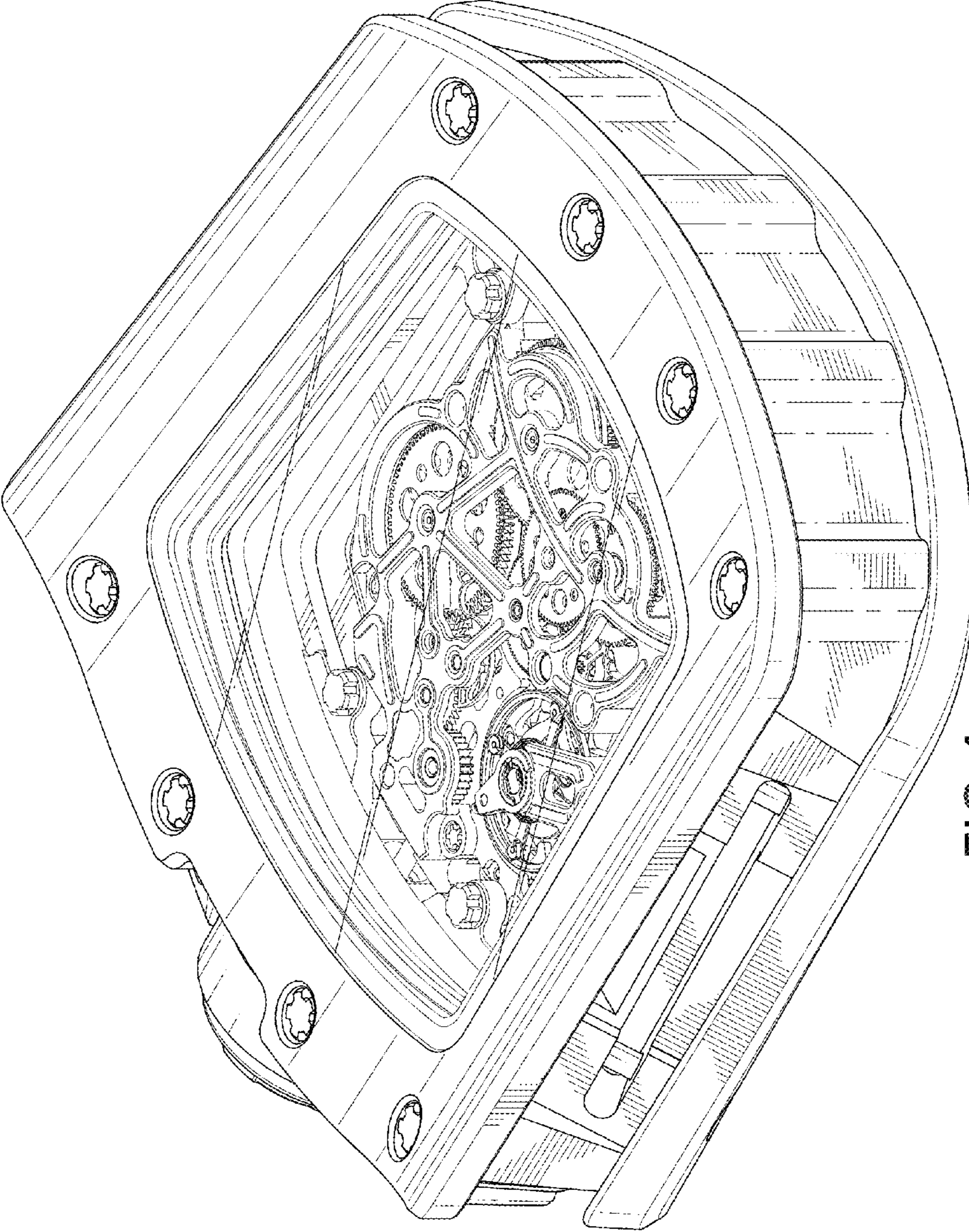


FIG.4

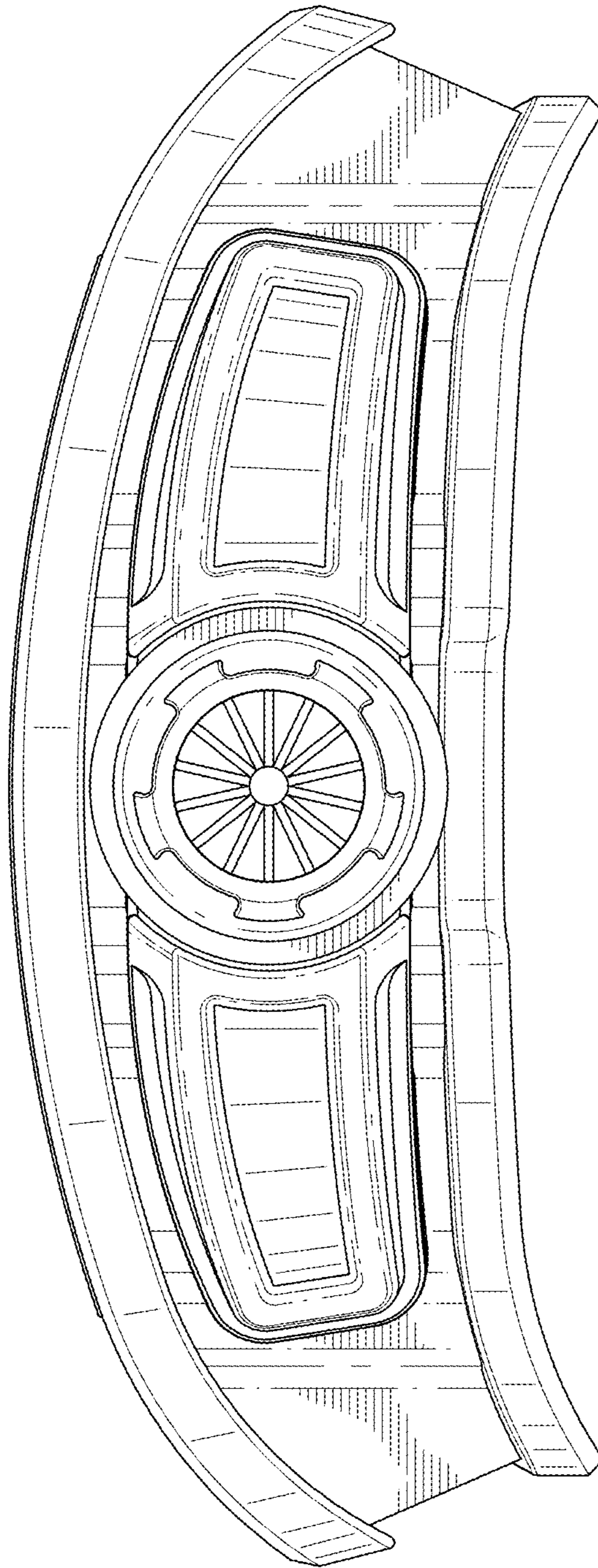


FIG. 5

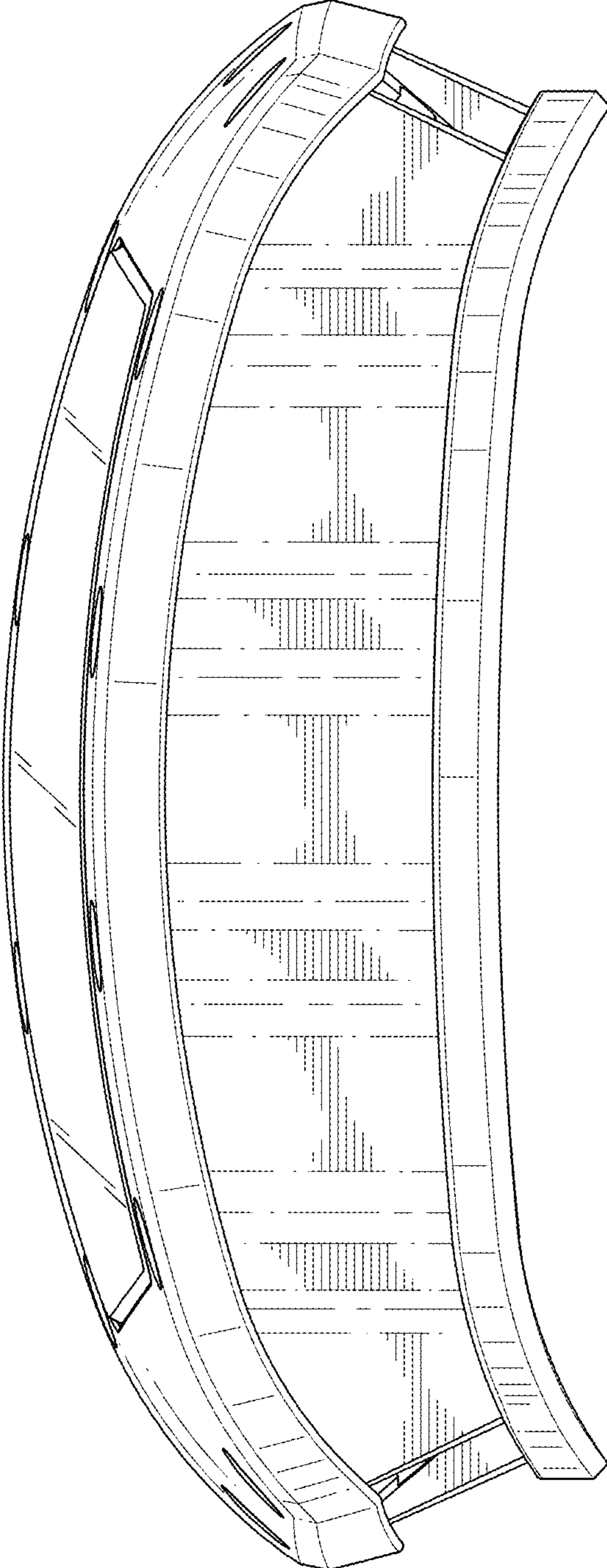


FIG. 6

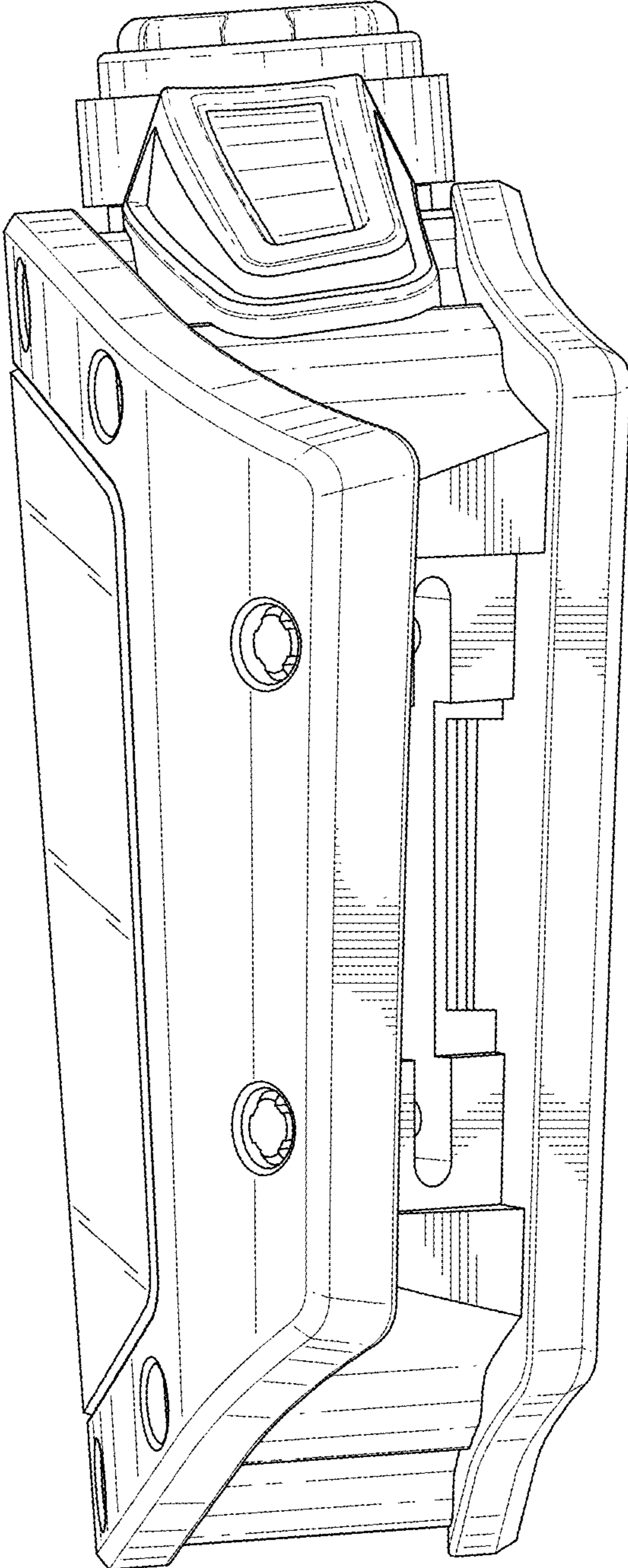


FIG. 7



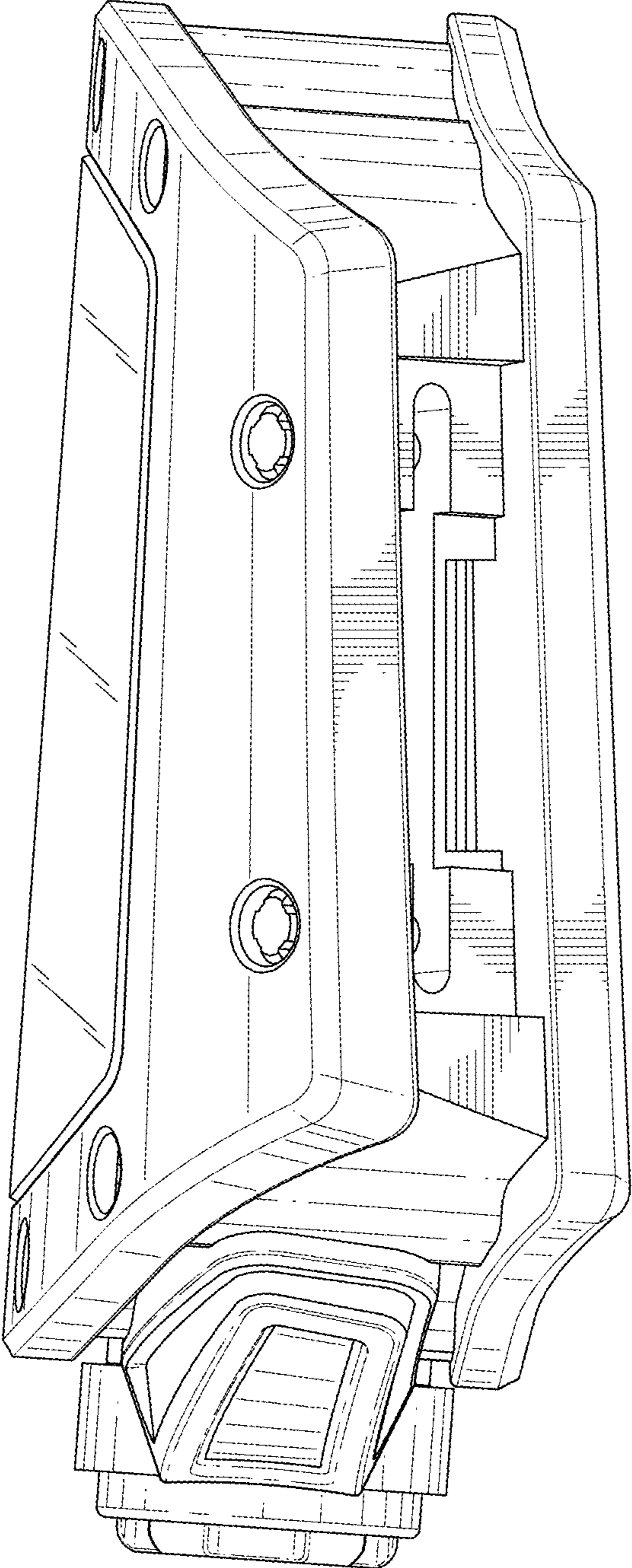


FIG. 8

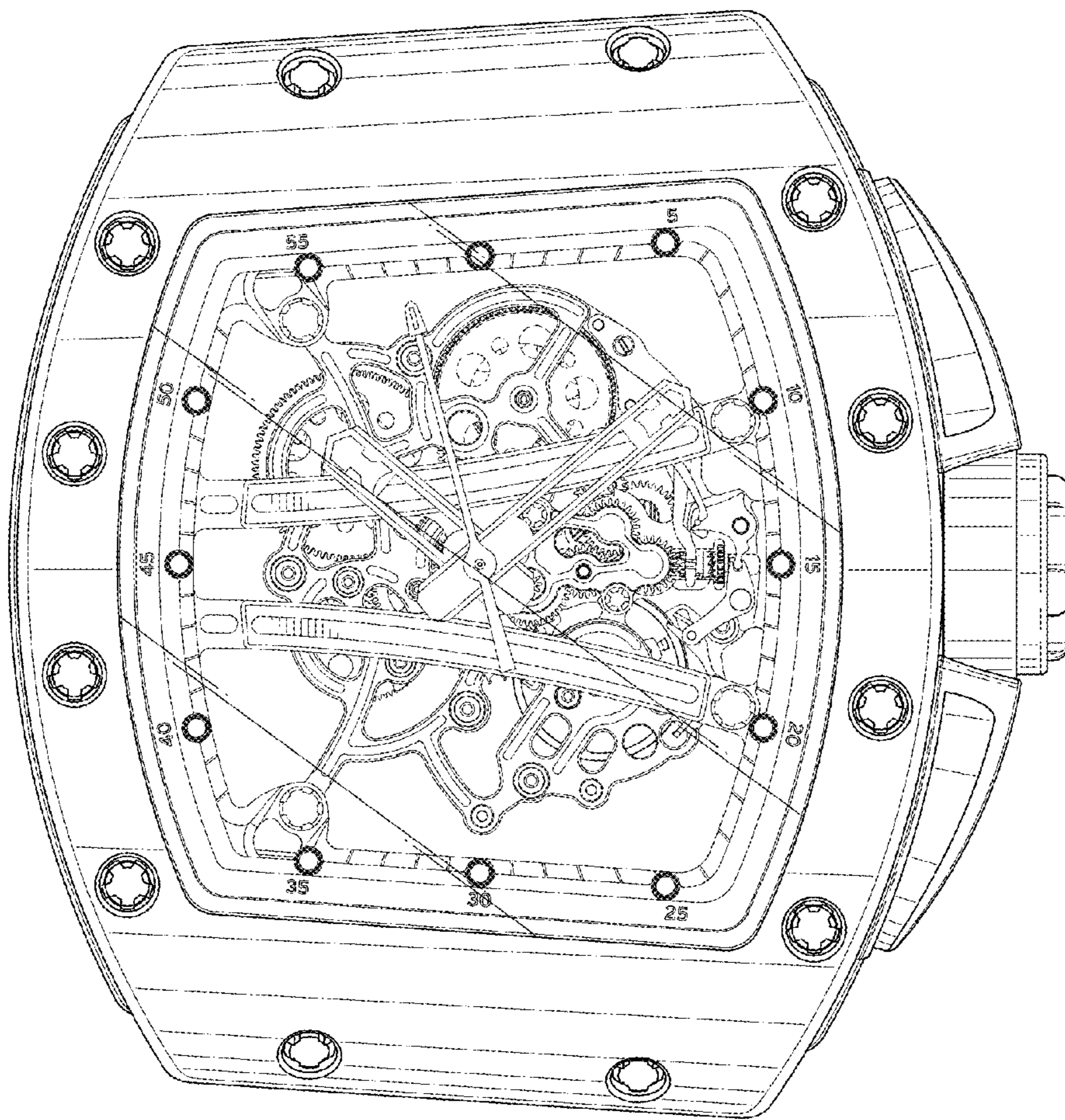


FIG. 9



FIG. 10