



US00D737691S

(12) **United States Design Patent**
Abbott et al.

(10) **Patent No.:** **US D737,691 S**
(45) **Date of Patent:** **** Sep. 1, 2015**

(54) **ROUNDED DISPOSABLE CONDIMENT
DIPPING CONTAINER**

(56) **References Cited**

U.S. PATENT DOCUMENTS

(71) Applicants: **Lauren Elizabeth Abbott**, New York,
NY (US); **John Francis Thomas, III**,
New York, NY (US)

2,898,003	A	*	8/1959	Wilson et al.	222/107
3,391,847	A	*	7/1968	Christine et al.	229/123.1
D265,798	S	*	8/1982	Ossola	D9/429
D287,404	S	*	12/1986	Johansson et al.	D24/121
D436,860	S	*	1/2001	Raso	D9/707
D445,674	S	*	7/2001	Pritchett	D9/707
D462,900	S	*	9/2002	Yamada et al.	D9/707
D472,465	S	*	4/2003	Nance	D9/424
D520,357	S	*	5/2006	Terrasi	D9/428
D530,626	S	*	10/2006	Tanja	D9/761
D615,276	S	*	5/2010	Lowry et al.	D1/129
D632,567	S	*	2/2011	Caldwell et al.	D9/435
D642,463	S	*	8/2011	Schedl et al.	D9/435

(72) Inventors: **Lauren Elizabeth Abbott**, New York,
NY (US); **John Francis Thomas, III**,
New York, NY (US)

(**) Term: **14 Years**

(21) Appl. No.: **29/491,602**

* cited by examiner

(22) Filed: **May 22, 2014**

Primary Examiner — Caron D Veynar

(51) **LOC (10) Cl.** **09-05**

Assistant Examiner — Abraham Bahta

(52) **U.S. Cl.**
USPC **D9/707; D9/428**

(74) *Attorney, Agent, or Firm* — Parker Ibrahim & Berg
LLC; James M. Behmke; Kenneth J. Heywood

(58) **Field of Classification Search**
USPC D9/414, 418, 430–432, 520–521, 702,
D9/703, 707, 710–711, 730, 761,
D9/424–425; D7/590, 600.1, 509–510;
215/328; 222/92, 95, 102, 145.1, 183,
222/215; 383/9, 22, 59–60, 901; D24/118,
D24/207; 128/114.1, DIG. 24; 220/359.3,
220/359.1, 4.21–4.25; 206/530, 484, 823,
206/828; 229/123.1, 125.33, 125.35,
229/400–406, 87.08, 904, 906.1; D28/8.1,
D28/4–5

(57) **CLAIM**

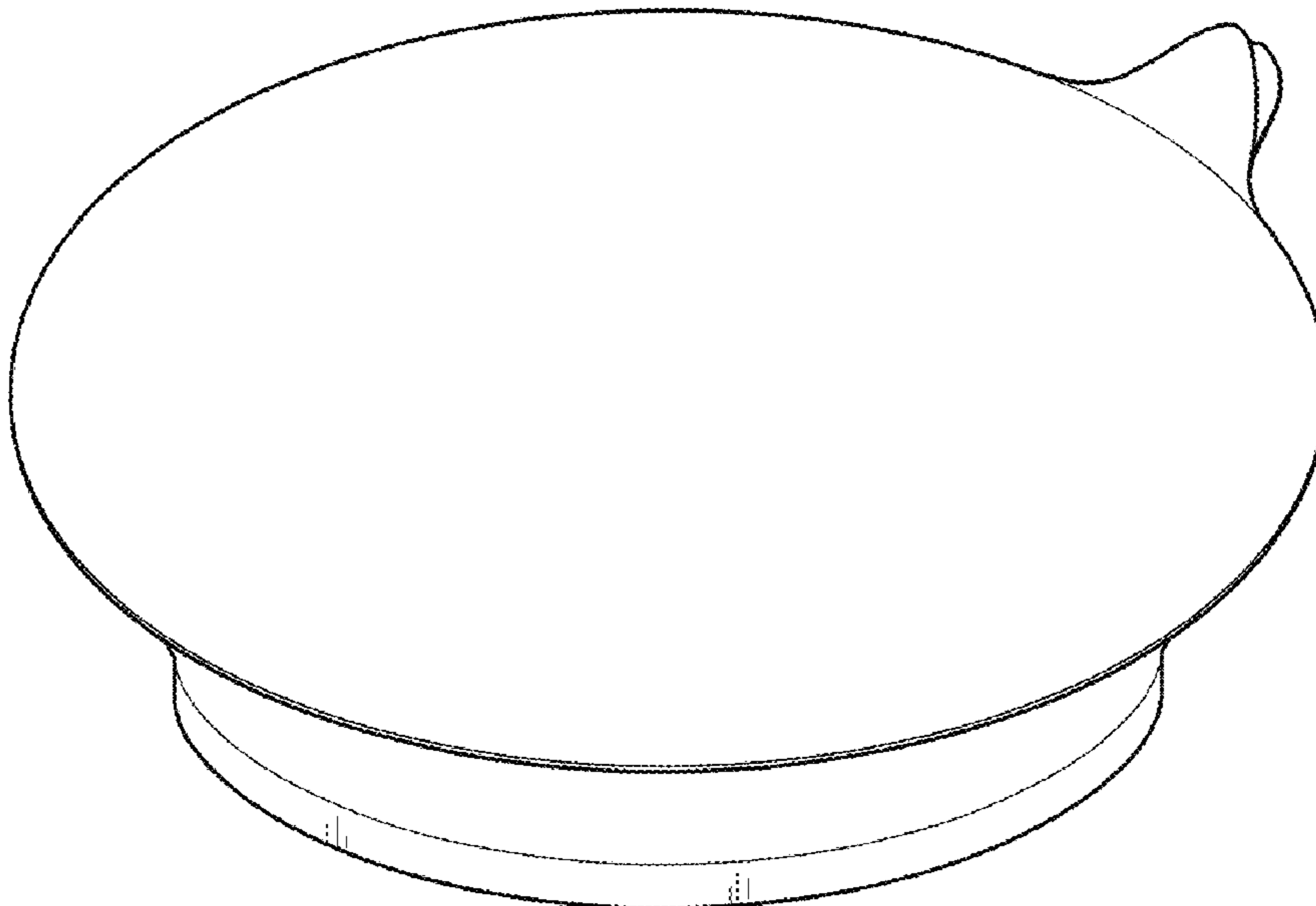
The ornamental design for a rounded disposable condiment
dipping container, as shown and described.

DESCRIPTION

FIG. 1 is a perspective view of a rounded disposable condi-
ment dipping container showing our new design;
FIG. 2 is a bottom perspective view thereof;
FIG. 3 is a top view thereof;
FIG. 4 is a bottom view thereof;
FIG. 5 is a front view thereof;
FIG. 6 is a first side view thereof;
FIG. 7 is a second side view thereof; and,
FIG. 8 is a rear view thereof.

CPC B65D 1/32; B65D 33/14
See application file for complete search history.

1 Claim, 3 Drawing Sheets



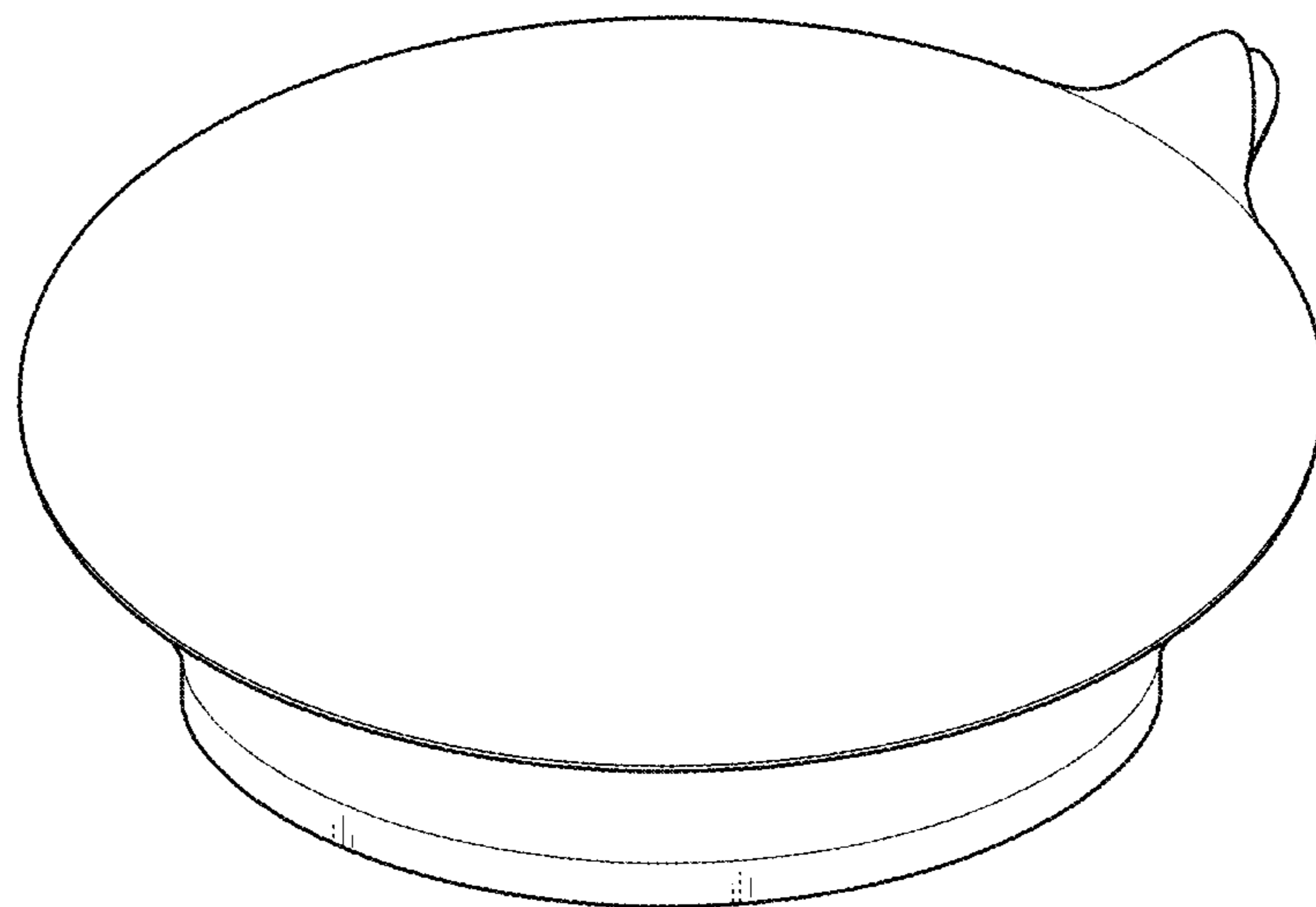


FIG. 1

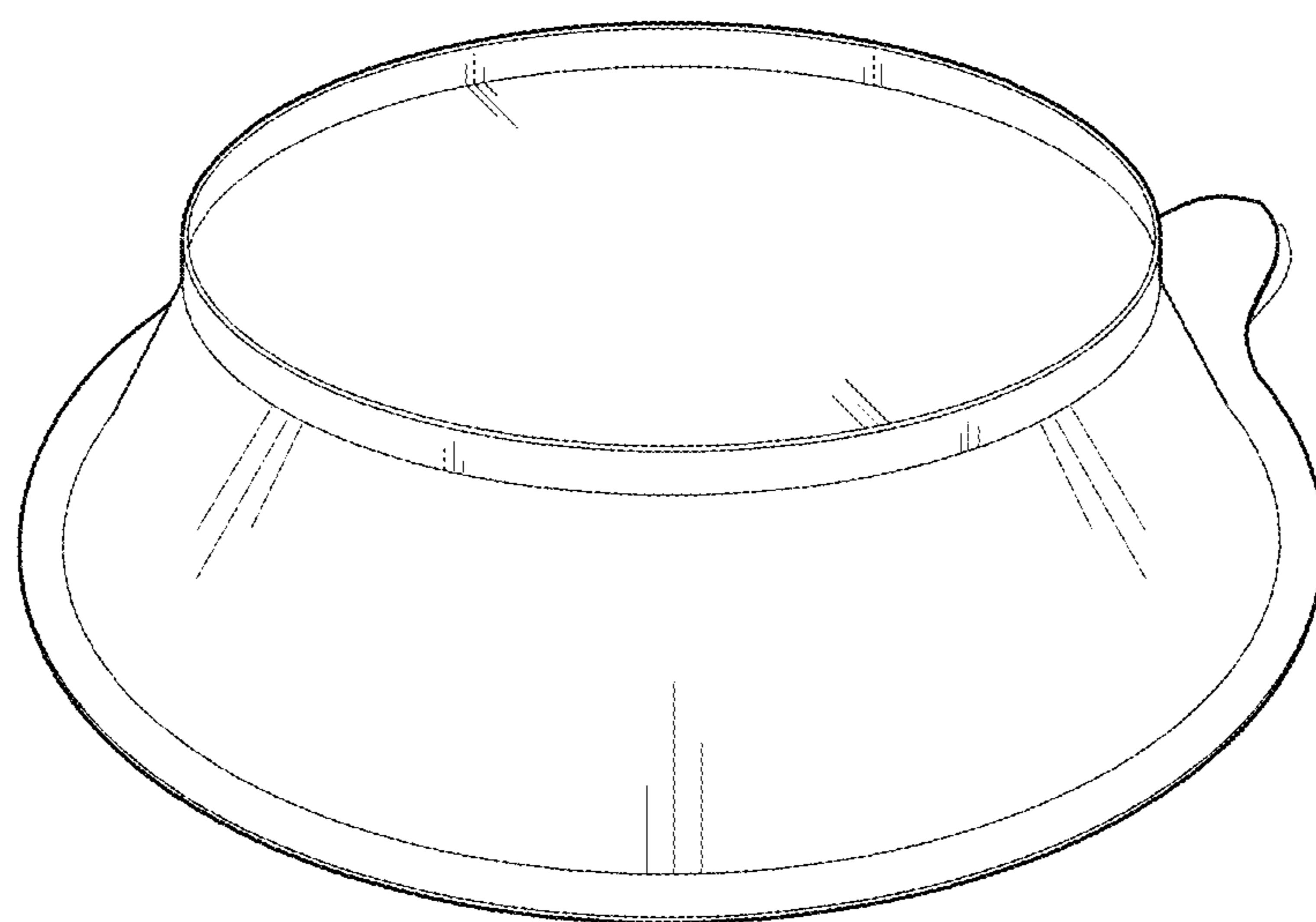


FIG. 2

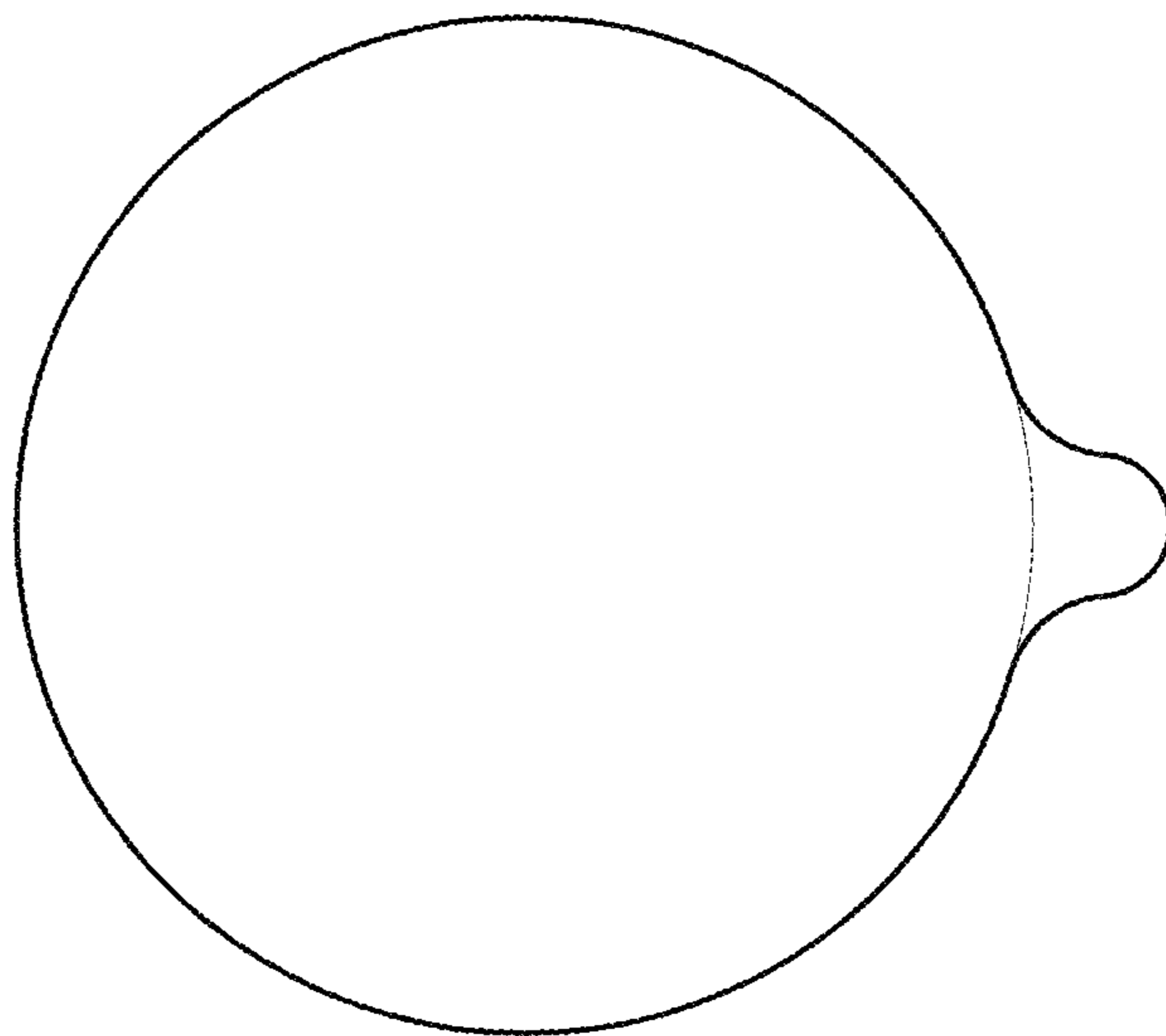


FIG. 3

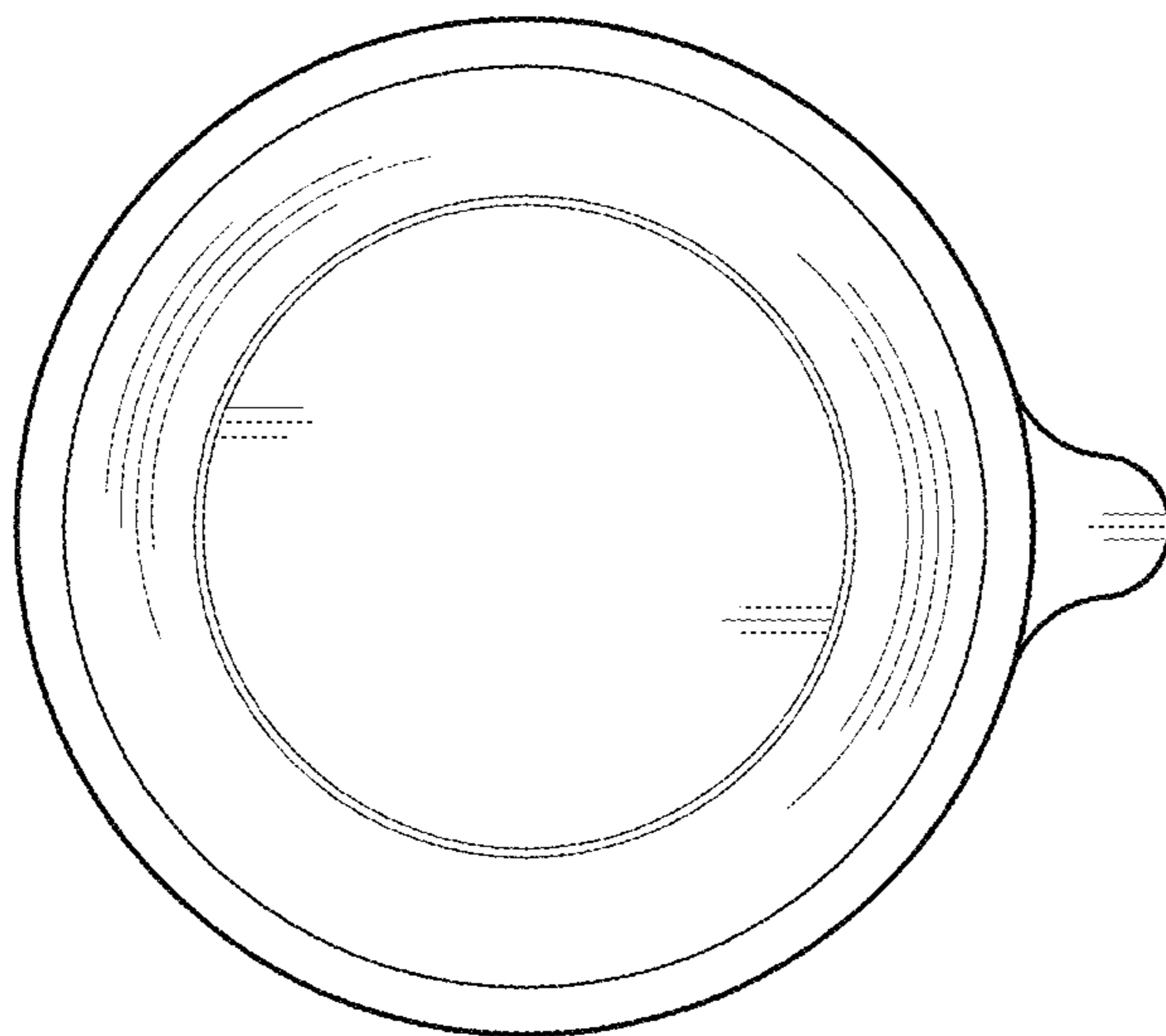


FIG. 4

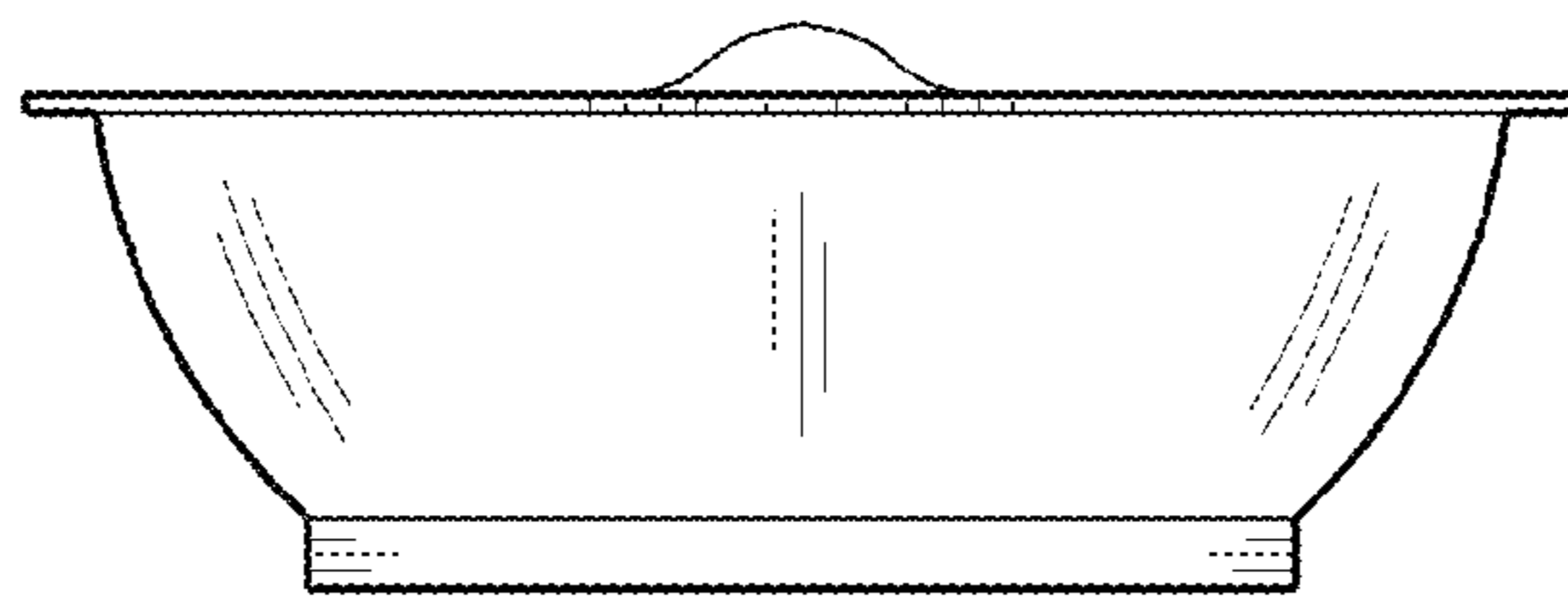


FIG. 5

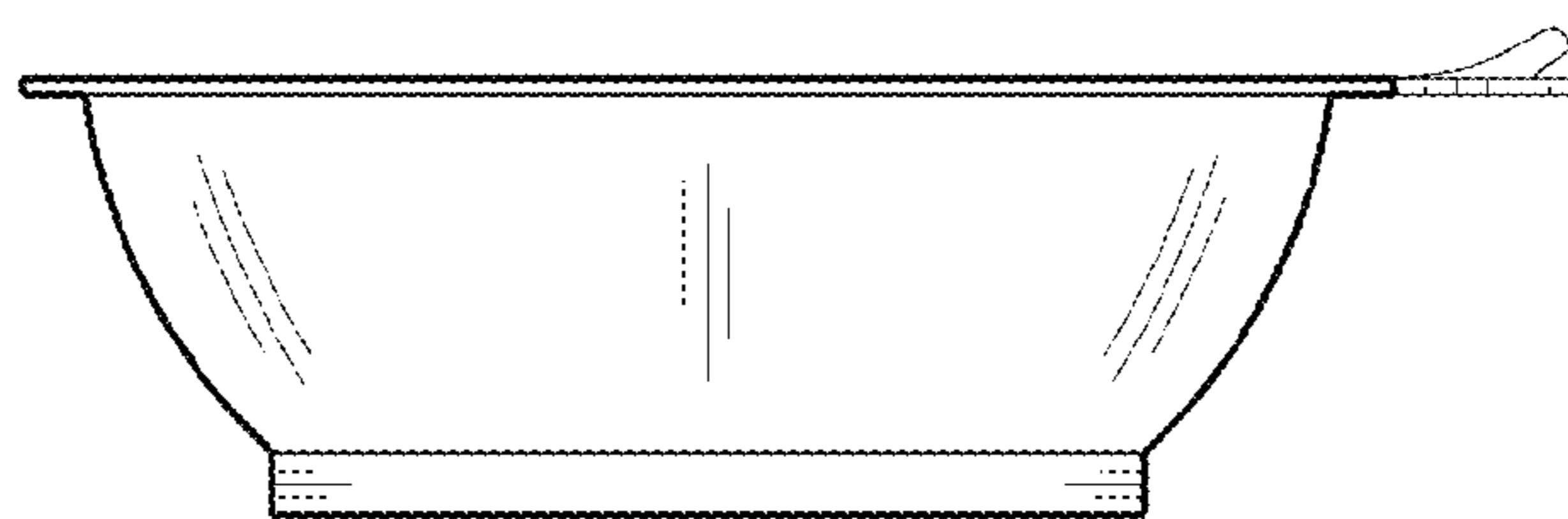


FIG. 6

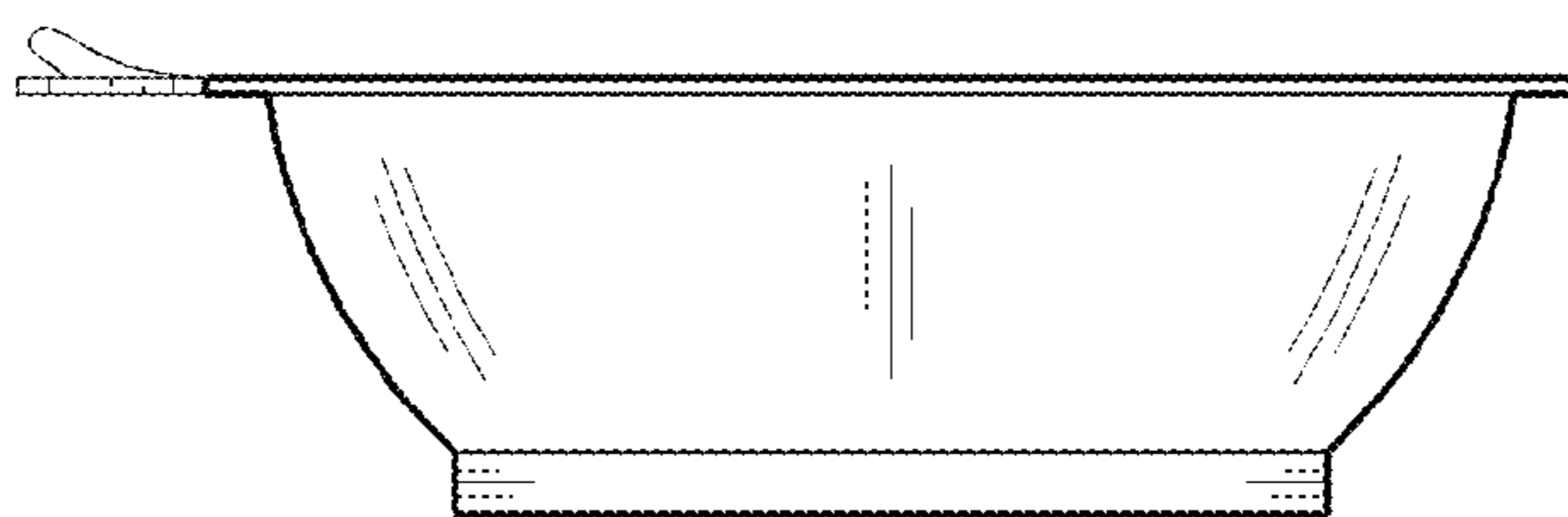


FIG. 7

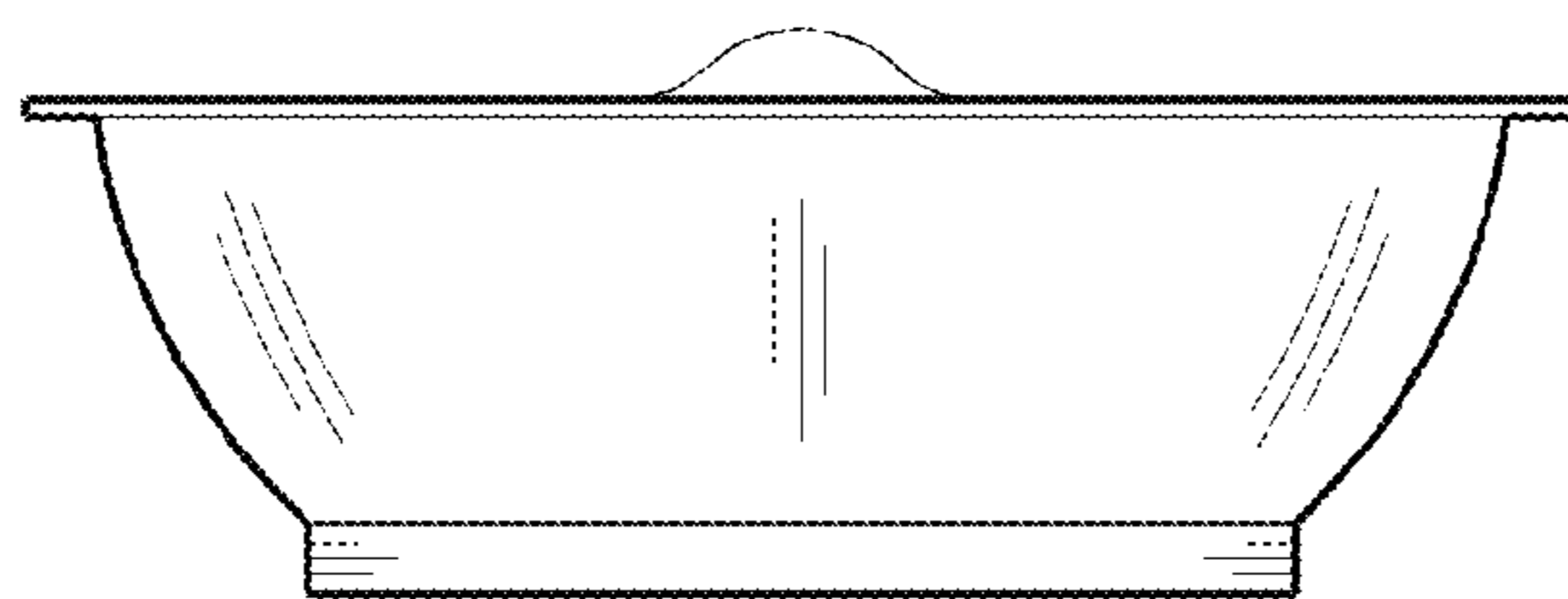


FIG. 8