



US00D737689S

(12) **United States Design Patent**
Monteparo

(10) **Patent No.:** **US D737,689 S**

(45) **Date of Patent:** **** Sep. 1, 2015**

(54) **BOTTLE**

(71) Applicant: **Victoria's Secret Stores Brand Management, Inc.**, Reynoldsburg, OH (US)

(72) Inventor: **Sandra Monteparo**, Brooklyn, NY (US)

(73) Assignee: **Victoria's Secret Stores Brand Management, Inc.**, Reynoldsburg, OH (US)

(**) Term: **14 Years**

(21) Appl. No.: **29/495,349**

(22) Filed: **Jun. 30, 2014**

(51) **LOC (10) Cl.** **09-01**

(52) **U.S. Cl.**
USPC **D9/651**; D9/559; D9/566; D9/567;
D9/568; D9/574; D9/435

(58) **Field of Classification Search**
USPC D3/270, 271.1-271.4; D7/514-520,
D7/599, 604, 613, 619.2, 623, 628;
D9/600, 651, 500, 502-505, 516,
D9/537-546, 548-550, 554-561, 566-575,
D9/434, 452-454; 206/457, 459.5, 527;
215/387-388, 381-384, 400
CPC B65D 5/4258; B65D 81/60; B65D 81/365;
B65D 81/366; B65D 81/368; B65D 2203/00;
B65D 2203/02
See application file for complete search history.

(56) **References Cited**

U.S. PATENT DOCUMENTS

D86,584 S * 3/1932 Smith D9/546
D97,681 S * 12/1935 Larsen D9/651
D124,598 S * 1/1941 Brodovitch D9/651
D187,886 S * 5/1960 Hurlstone D9/566

D277,455 S * 2/1985 Tordjman D9/546
D289,142 S * 4/1987 Bijaoui D9/546
D515,194 S * 2/2006 Chen D9/566
D622,613 S * 8/2010 Baron D9/651
D626,422 S * 11/2010 Lloyd D9/566
D698,259 S * 1/2014 Ngjelo D9/651
D703,058 S 4/2014 De Baschmakoff et al.
D703,546 S 4/2014 De Baschmakoff et al.
D708,789 S * 7/2014 Schlatter D9/651
D711,236 S * 8/2014 Friesen et al. D9/566

FOREIGN PATENT DOCUMENTS

EM 00231098-0001 10/2013
EM 002313098-0002 10/2013

(Continued)

OTHER PUBLICATIONS

Ben Bridge Flawless, <http://benbridgejeweler.wordpress.com/>, web site visited on Jul. 1, 2014.

(Continued)

Primary Examiner — Sandra Morris

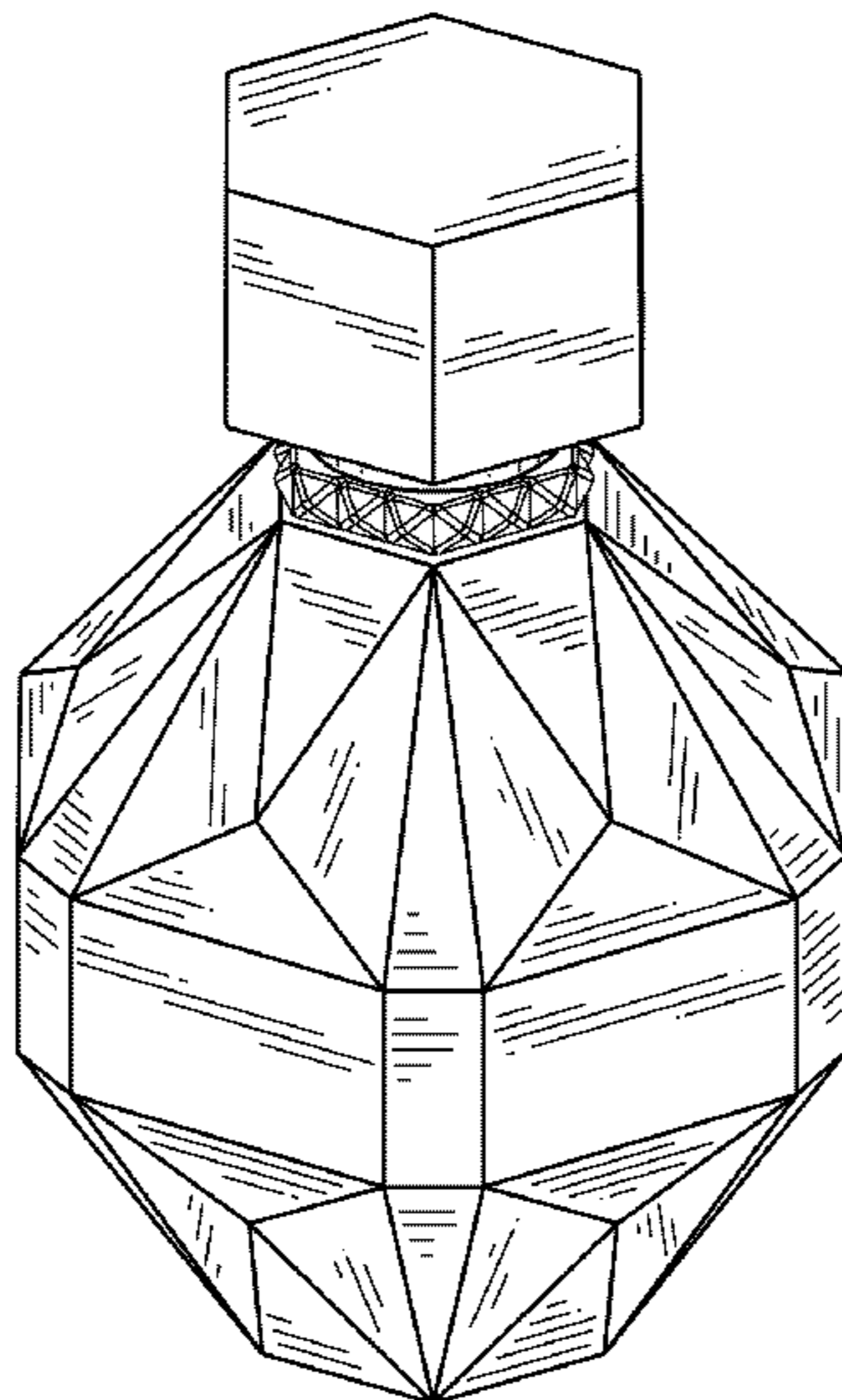
(74) *Attorney, Agent, or Firm* — Andrus Intellectual Property Law, LLP

(57) **CLAIM**
The ornamental design for a bottle, as shown.

DESCRIPTION

FIG. 1 is a front perspective view of a bottle;
FIG. 2 is a front view thereof;
FIG. 3 is a left side view thereof;
FIG. 4 is a back view thereof;
FIG. 5 is a right side view thereof;
FIG. 6 is a top view thereof; and,
FIG. 7 is a bottom view thereof.
The broken line showing of the bottom in FIG. 7 is for illustrative purposes only, and forms no part of the claimed design.

1 Claim, 4 Drawing Sheets



(56)

References Cited

FOREIGN PATENT DOCUMENTS

EM 002462176-0001 5/2014
EM 002462176-0002 5/2014

OTHER PUBLICATIONS

Jimmy Choo, http://www.sephora.com/jimmy-choo-P304901?icid2=JimmyChoo_BestSellers_Carousel_P304901_image, web site visited on Jul. 1, 2014.

Katy Perry Killer Queen, <https://www.katyperryfrances.com/killer-queen>, web site visited on Jul. 1, 2014.
One Direction Our Moment, <http://onedirection.edenparfums.com/>, web site visited on Jul. 1, 2014.
Viktor & Rolf Flowerbomb, http://www.sephora.com/flowerbomb-P255506?skuld=1233139&om_mmc=ppc-GG&mkwid=pdZKNz9d&pcrid=44432898999&pdv=c&site=us_search&country_switch=us&lang=en, web site visited on Jun. 3, 2014.

* cited by examiner

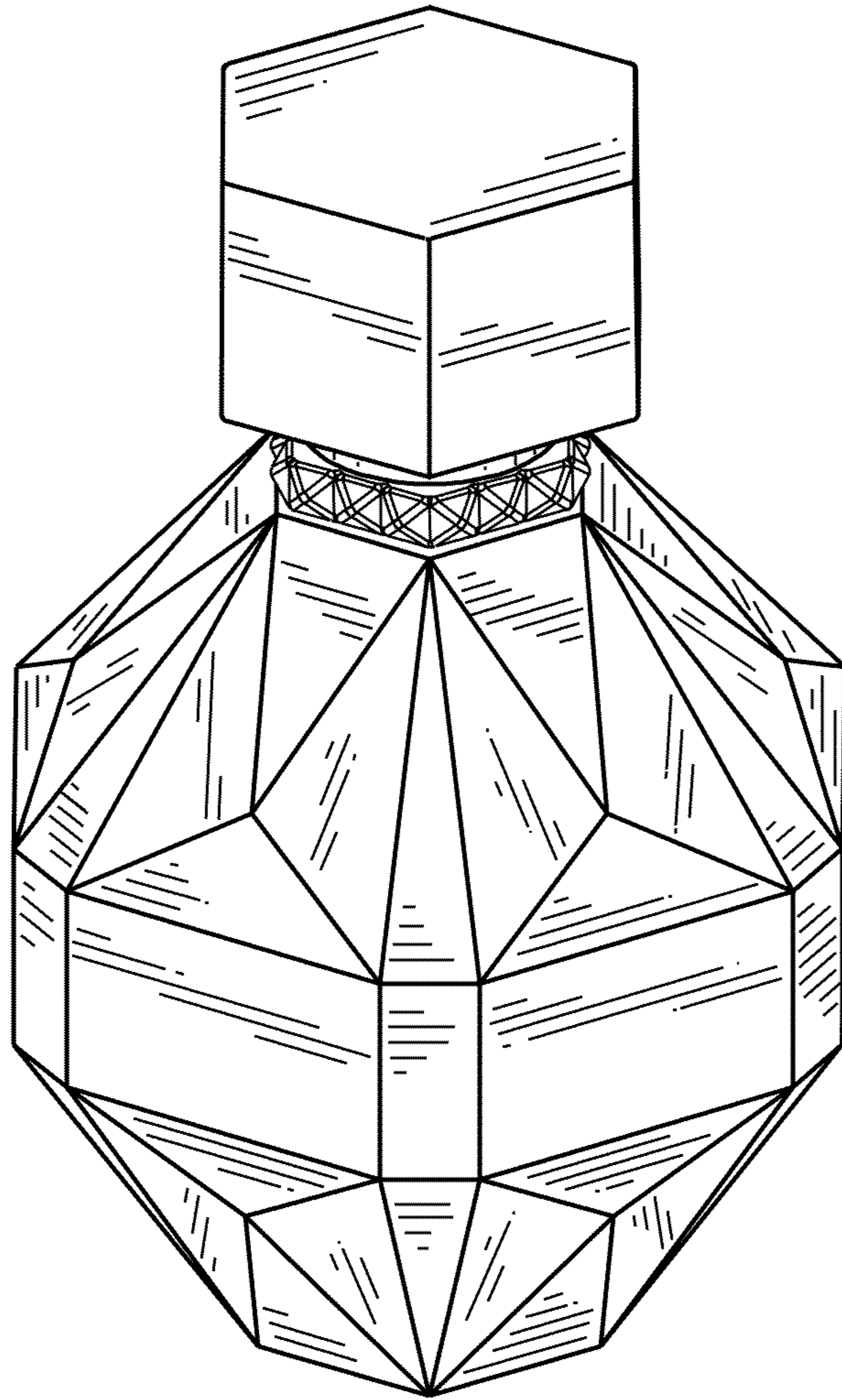


FIG. 1

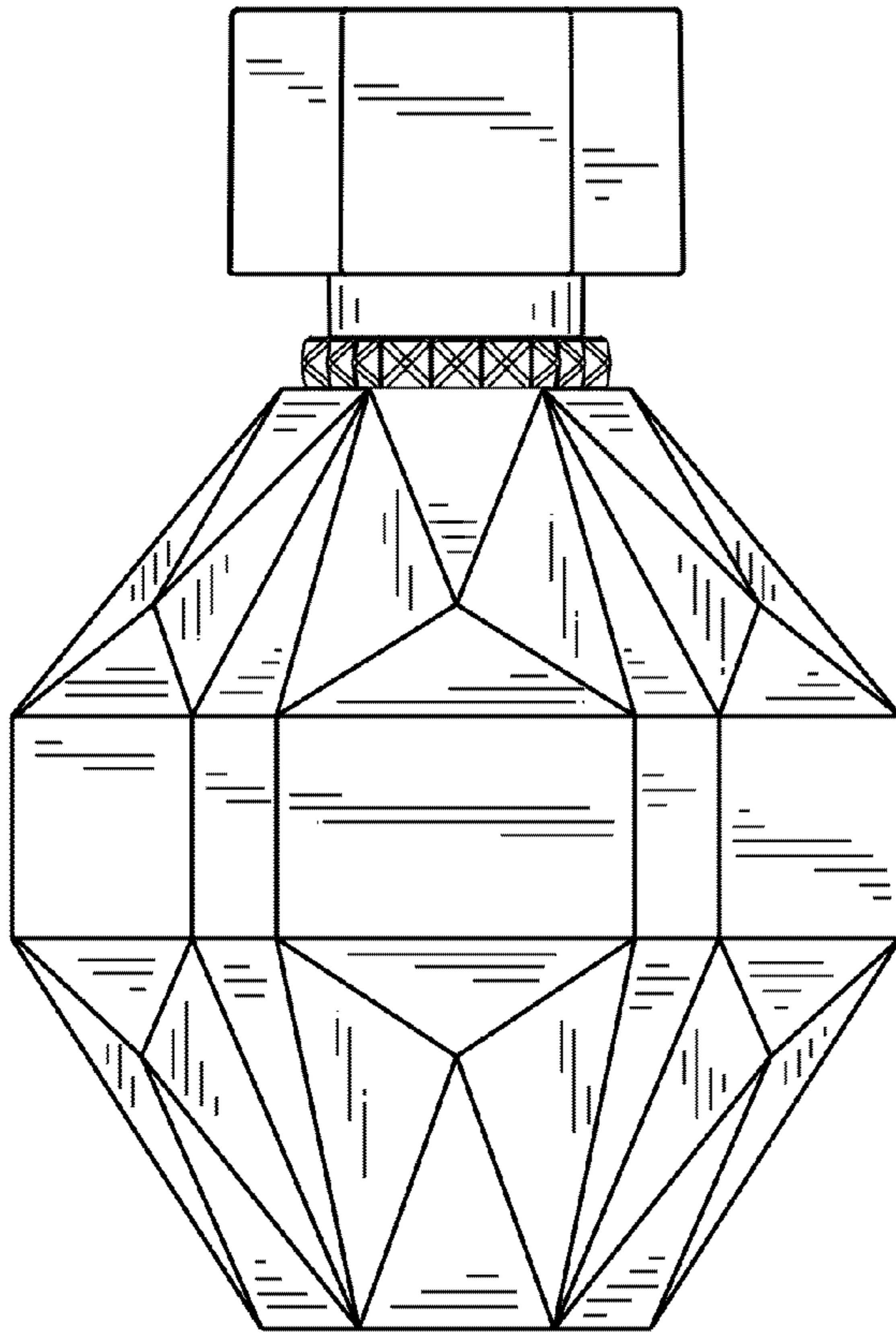


FIG. 2

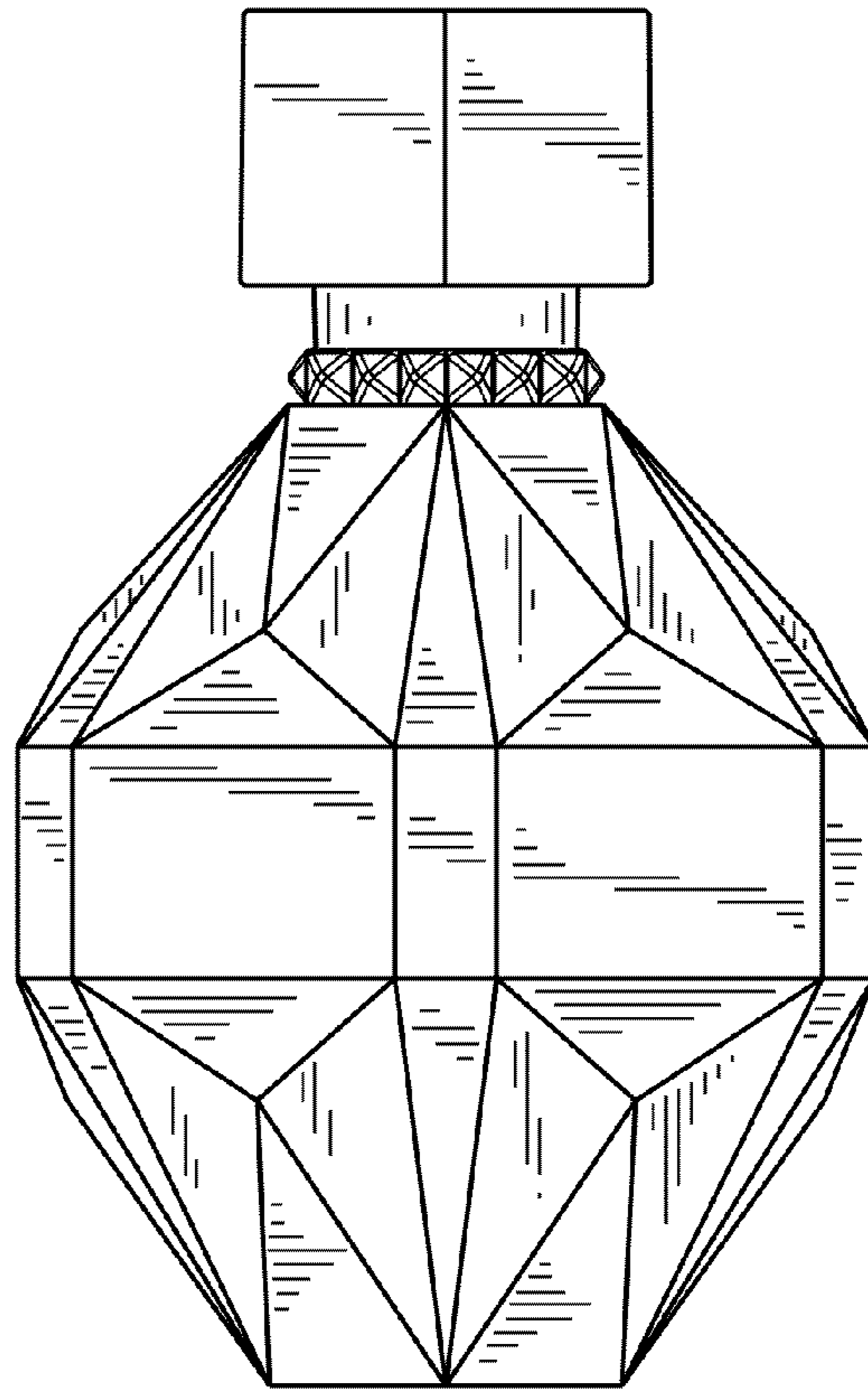


FIG. 3

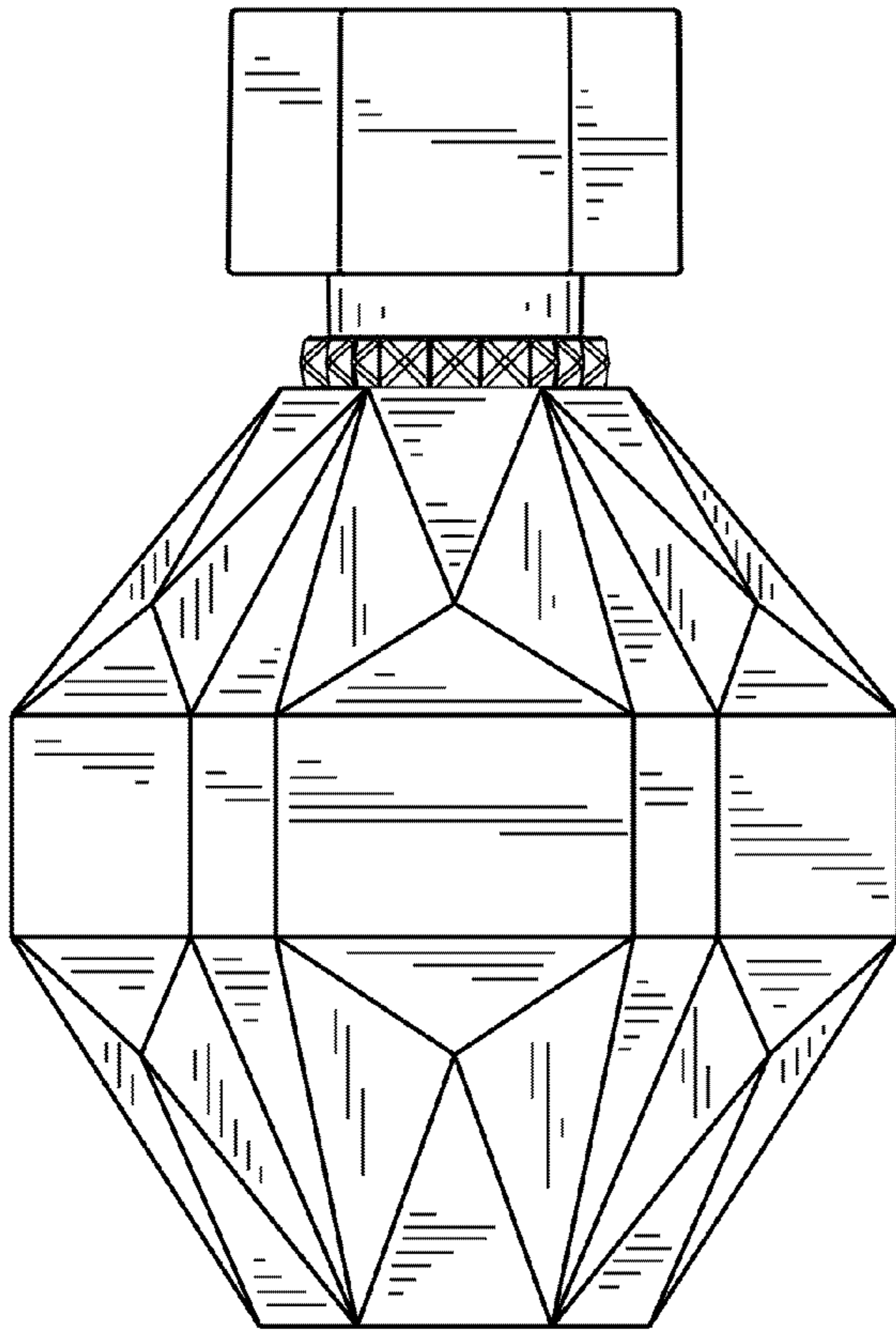


FIG. 4

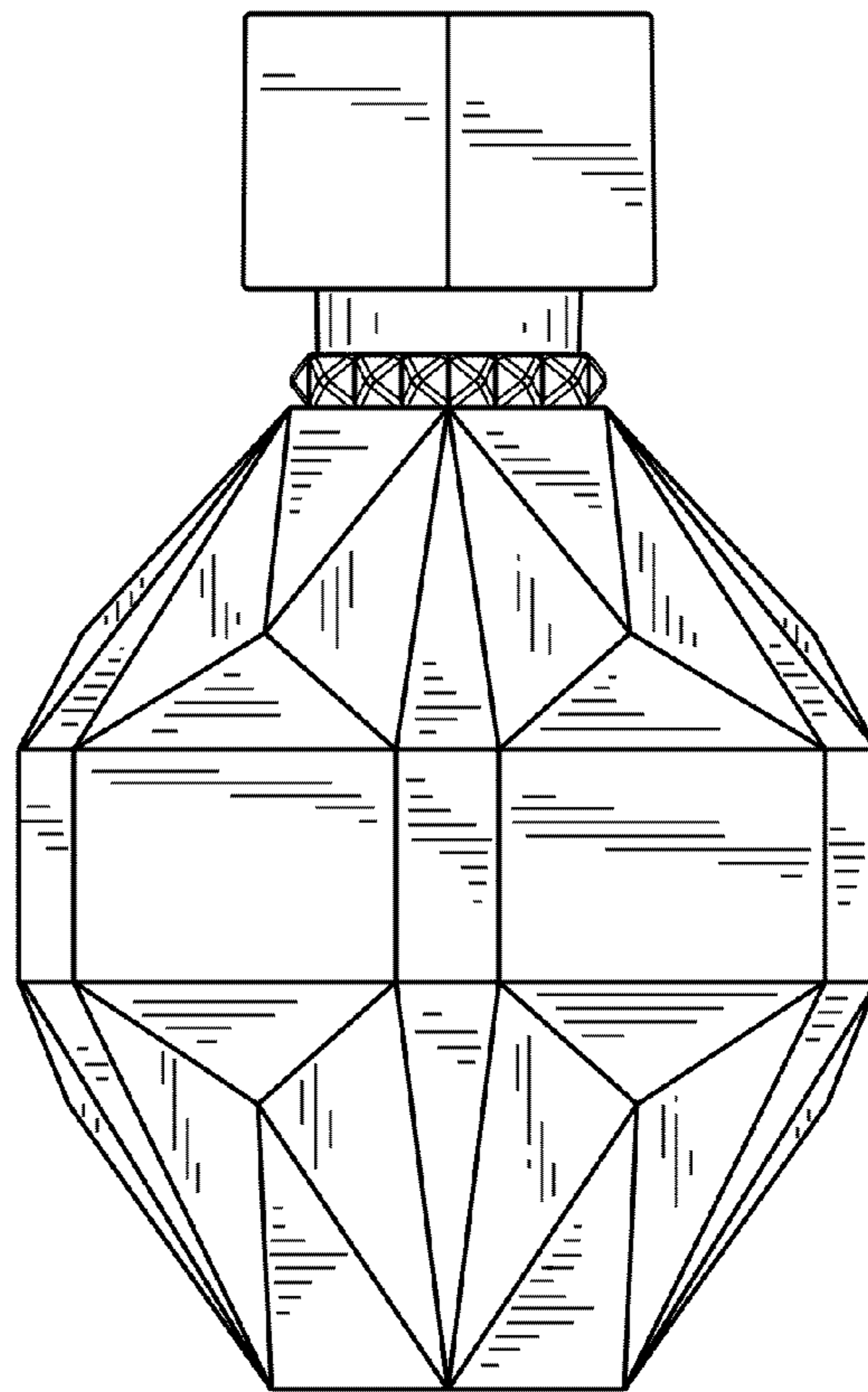


FIG. 5

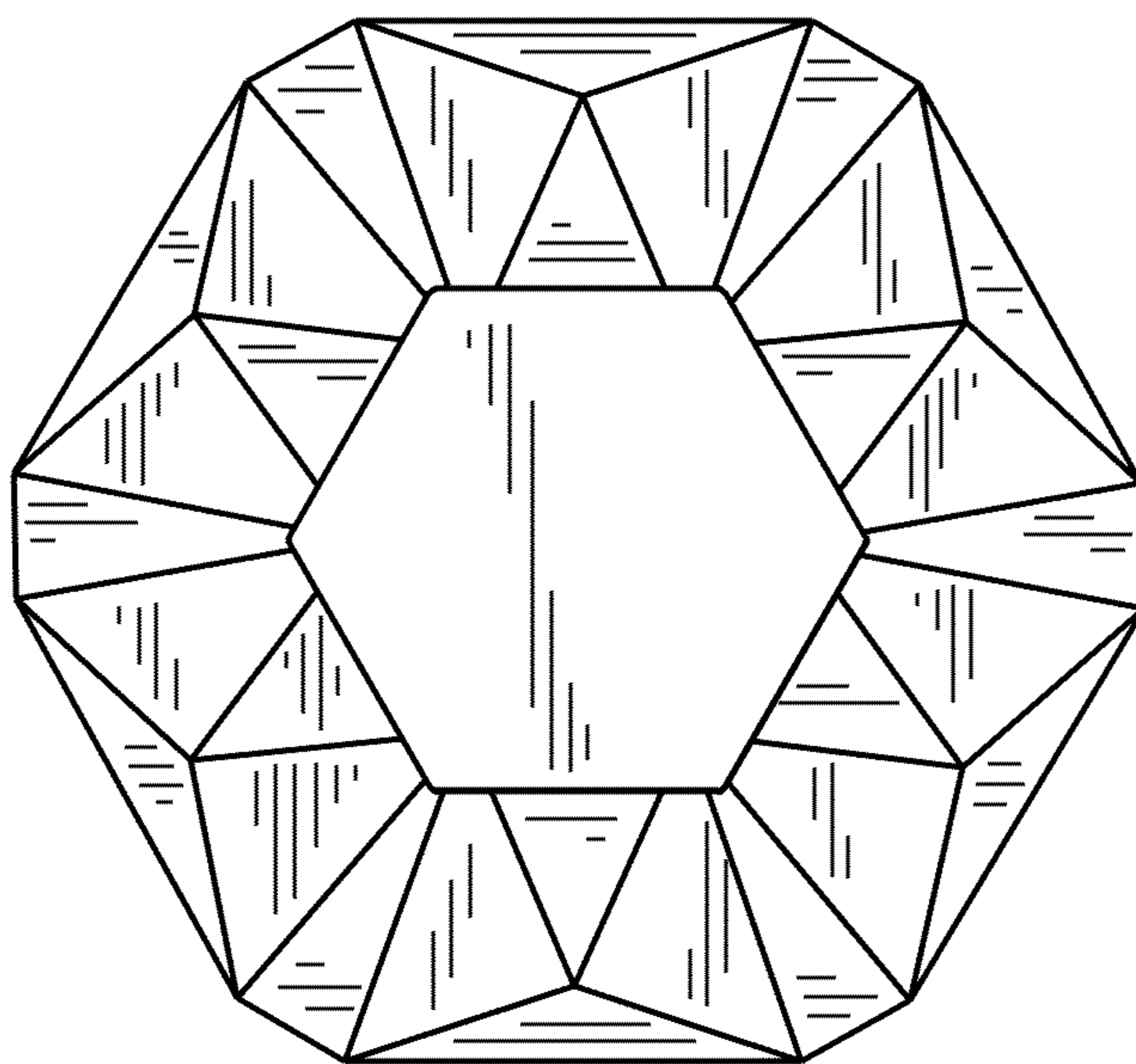


FIG. 6

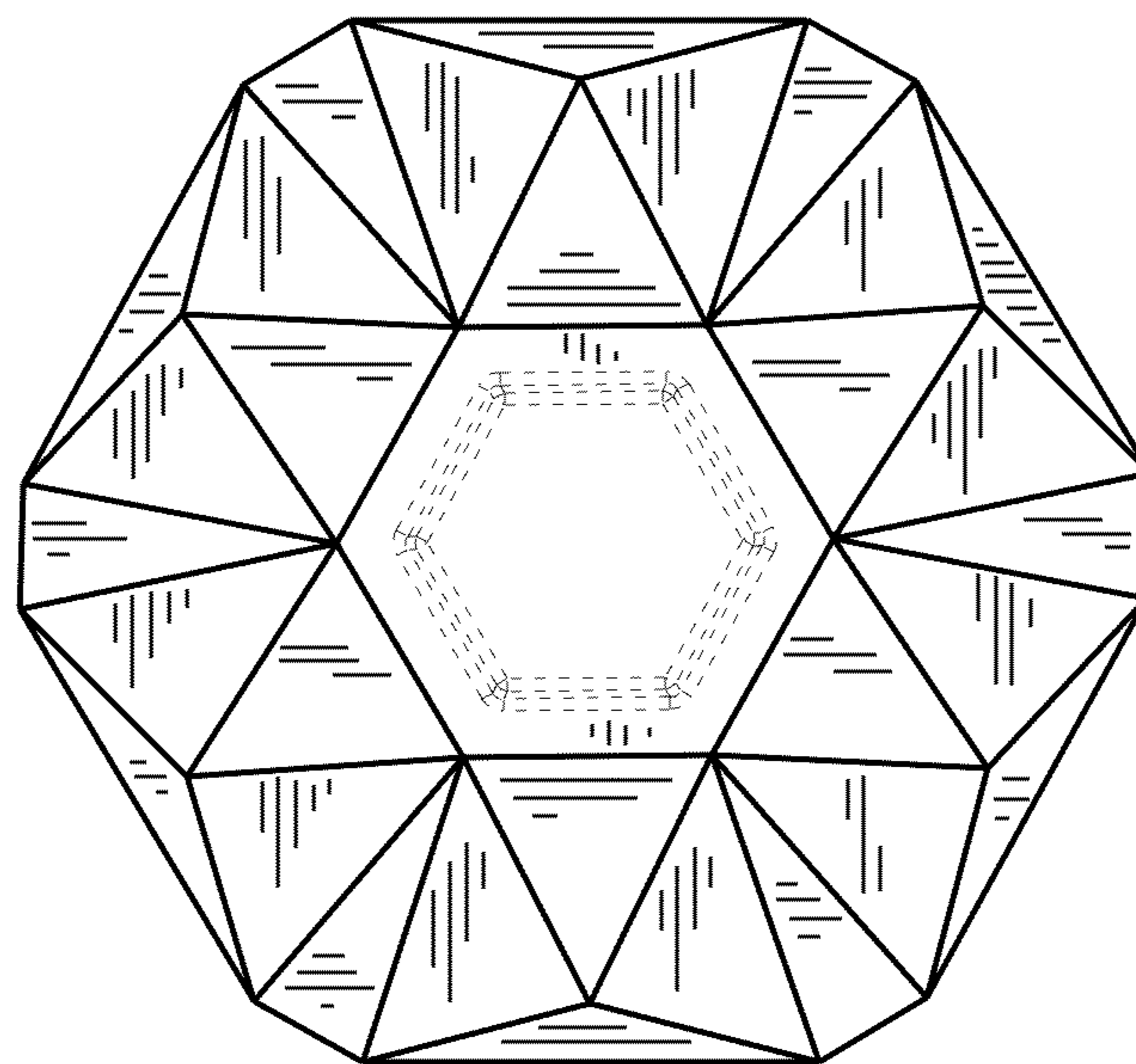


FIG. 7