



US00D737681S

(12) **United States Design Patent**  
**Martinson et al.**

(10) **Patent No.:** **US D737,681 S**

(45) **Date of Patent:** **\*\* Sep. 1, 2015**

(54) **PACKAGE TRAY**

(71) Applicant: **HORMEL FOODS CORPORATION**,  
Austin, MN (US)

(72) Inventors: **Matthew L. Martinson**, Stewartville,  
MN (US); **Richard T. Steichen**, Elk  
River, MN (US); **Gregory L. Nelson**,  
Mendota Heights, MN (US)

(73) Assignee: **HORMEL FOODS CORPORATION**,  
Austin, MN (US)

(\*\*) Term: **14 Years**

(21) Appl. No.: **29/475,846**

(22) Filed: **Dec. 6, 2013**

(51) **LOC (10) Cl.** ..... **09-07**

(52) **U.S. Cl.**  
USPC ..... **D9/456**

(58) **Field of Classification Search**  
USPC ..... D11/95, 99; D5/20, 63; D9/414, 415,  
D9/423, 424, 425, 432, 433, 434, 435, 759,  
D9/760, 770; D19/1, 27; 206/775, 776,  
206/557, 823; D7/546, 549, 602, 550.1,  
D7/703; 229/87.08, 123.1, 123.3, 221  
CPC ..... B65D 5/4204; B65D 15/08; B65D 1/34;  
B65D 65/22; B65D 2577/205; B65D 5/706;  
B65D 5/705; A45D 40/22

See application file for complete search history.

(56) **References Cited**

**U.S. PATENT DOCUMENTS**

D279,865 S \* 7/1985 McKee ..... D9/737  
D417,366 S \* 12/1999 Obra ..... D7/549  
D420,855 S \* 2/2000 Hurley ..... D7/549  
D592,049 S \* 5/2009 Doliwa et al. .... D9/425  
D596,935 S \* 7/2009 Golota et al. .... D9/420

D598,740 S \* 8/2009 Auer et al. .... D9/424  
D672,204 S \* 12/2012 Stamper et al. .... D7/602  
D686,491 S \* 7/2013 Kuo et al. .... D9/432  
D693,180 S \* 11/2013 Peterson et al. .... D7/555  
D697,764 S \* 1/2014 Carlson ..... D7/602  
D719,020 S \* 12/2014 Avis ..... D9/432  
D719,462 S \* 12/2014 Kanda ..... D9/667

**OTHER PUBLICATIONS**

Hormel REV Wraps by Couponcloset dated Oct. 21, 2014. found  
online [Apr. 8, 2015] hot-deal-hormel-rev-wraps-50-crest-foods.\*  
Drawings of a Test Market tray package, Sep. 1, 2012, 1 page.

\* cited by examiner

*Primary Examiner* — Robert M Spear

*Assistant Examiner* — Marissa J Cash

(74) *Attorney, Agent, or Firm* — IPLM Group, P.A.

(57) **CLAIM**

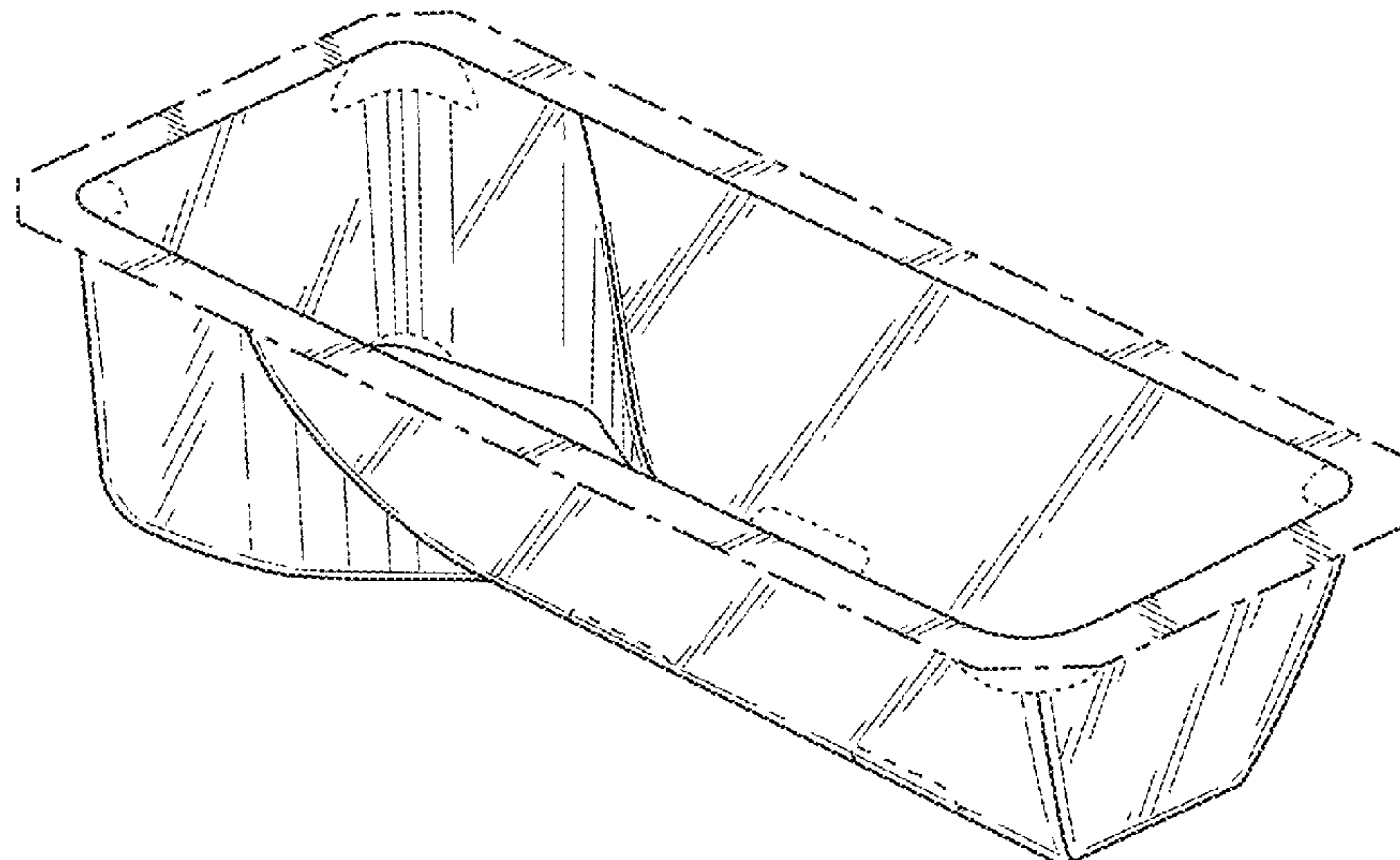
The ornamental design for a package tray, as shown and  
described.

**DESCRIPTION**

FIG. 1 is a left side perspective view of a package tray show-  
ing our present invention;  
FIG. 2 is a left side view of the package tray shown in FIG. 1;  
FIG. 3 is a right side view of the package tray shown in FIG.  
1;  
FIG. 4 is a bottom view of the package tray shown in FIG. 1;  
FIG. 5 is a top view of the package tray shown in FIG. 1;  
FIG. 6 is a front view of the package tray shown in FIG. 1;  
and,  
FIG. 7 is a rear view of the package tray of FIG. 1.

The evenly-spaced broken lines depict environmental subject  
matter only and form no part of the claimed design. The  
dot-dash-dot lines define the boundaries of the claimed  
design and form no part thereof.

**1 Claim, 6 Drawing Sheets**



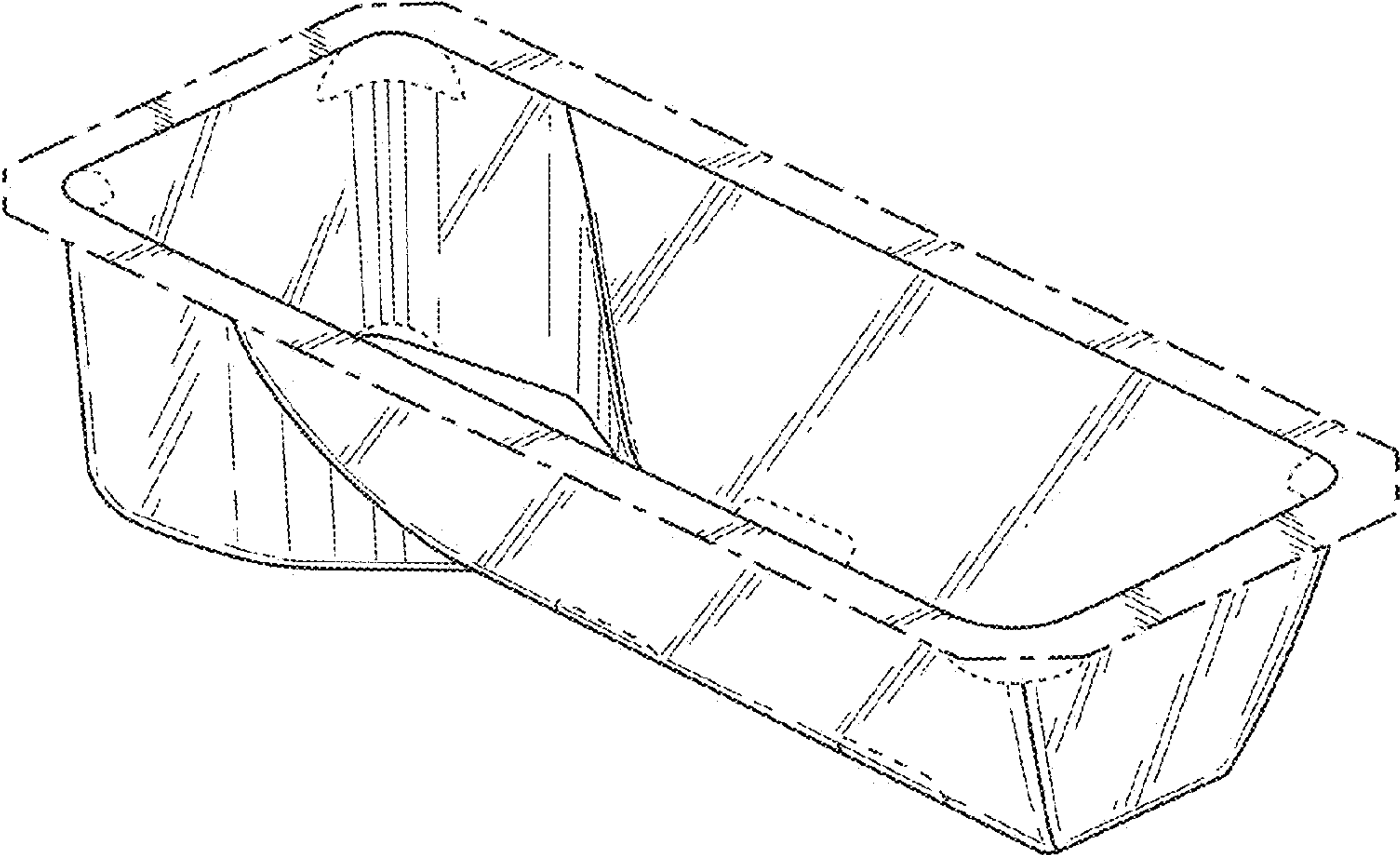


FIG. 1

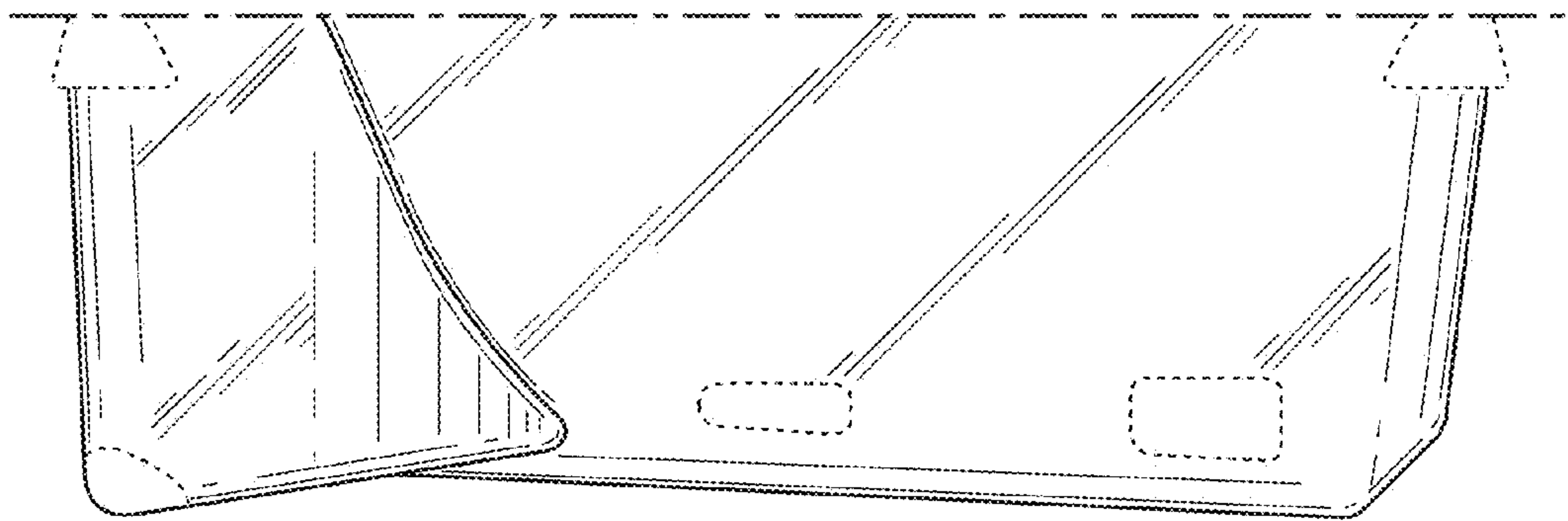


FIG. 2

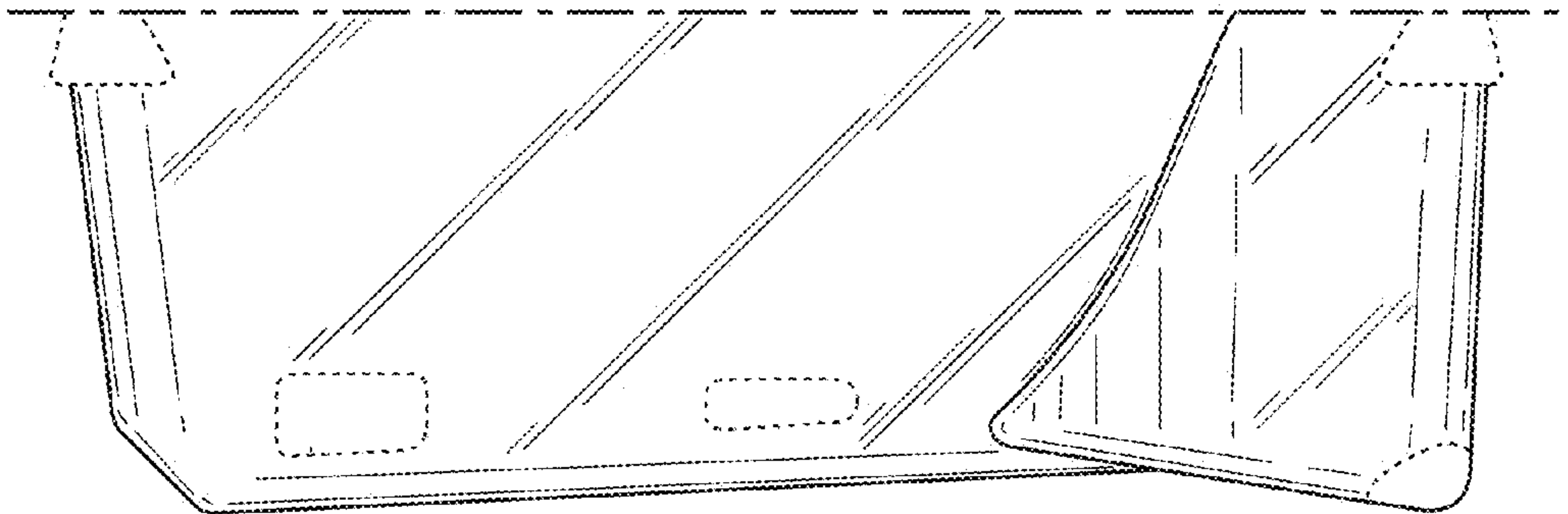


FIG. 3

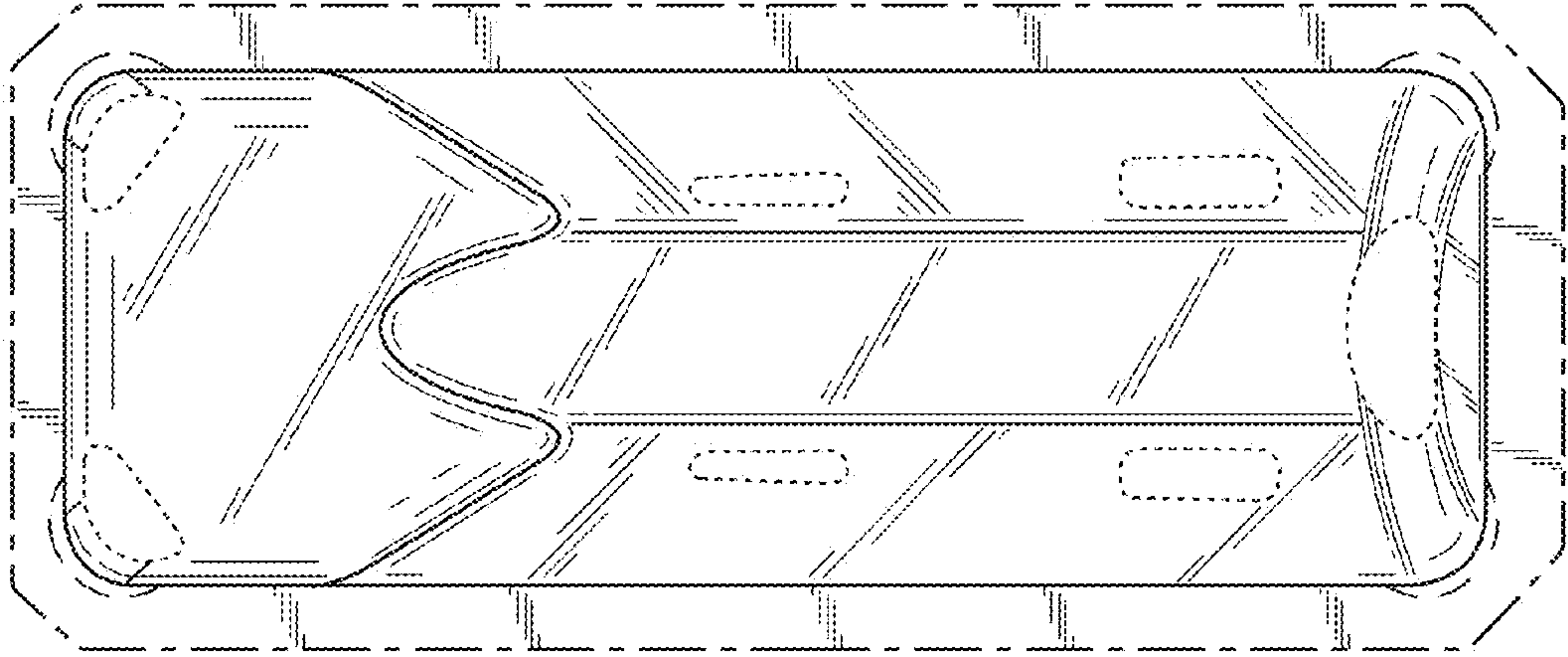


FIG. 4



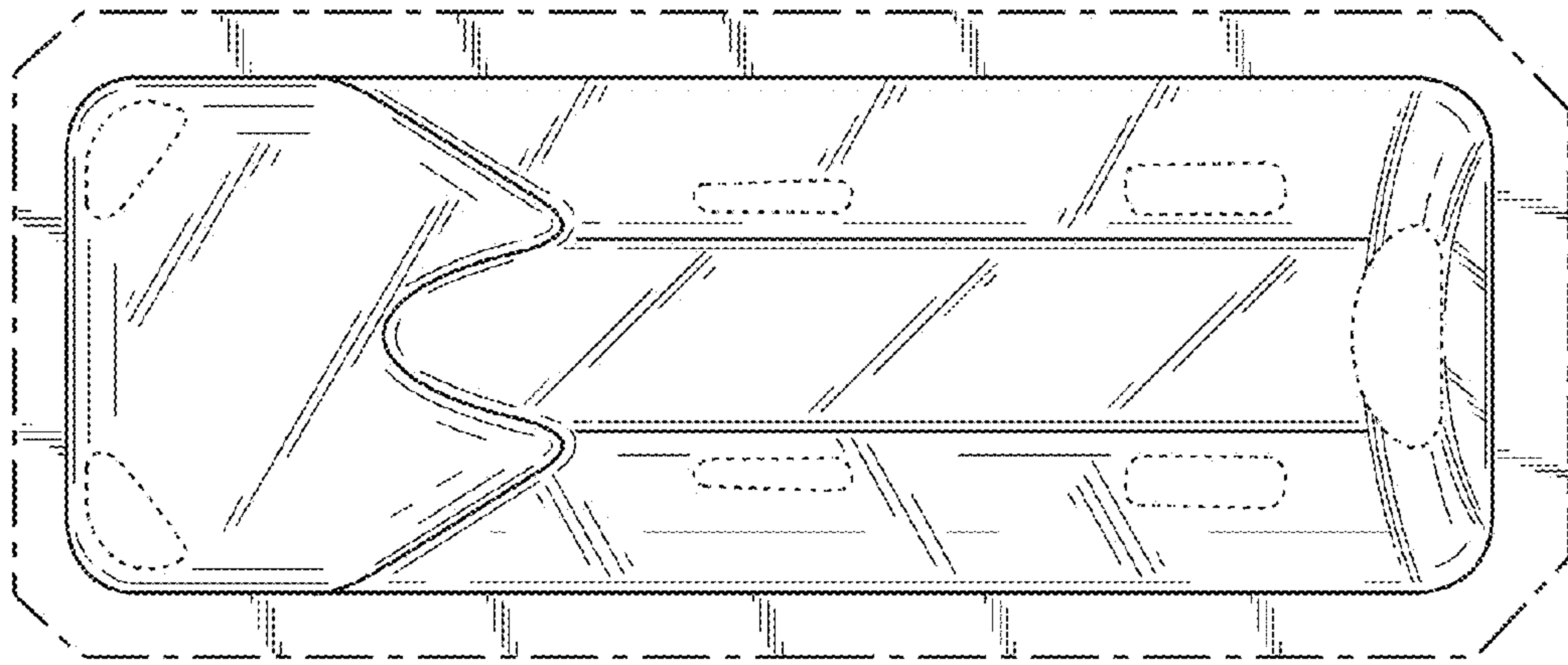
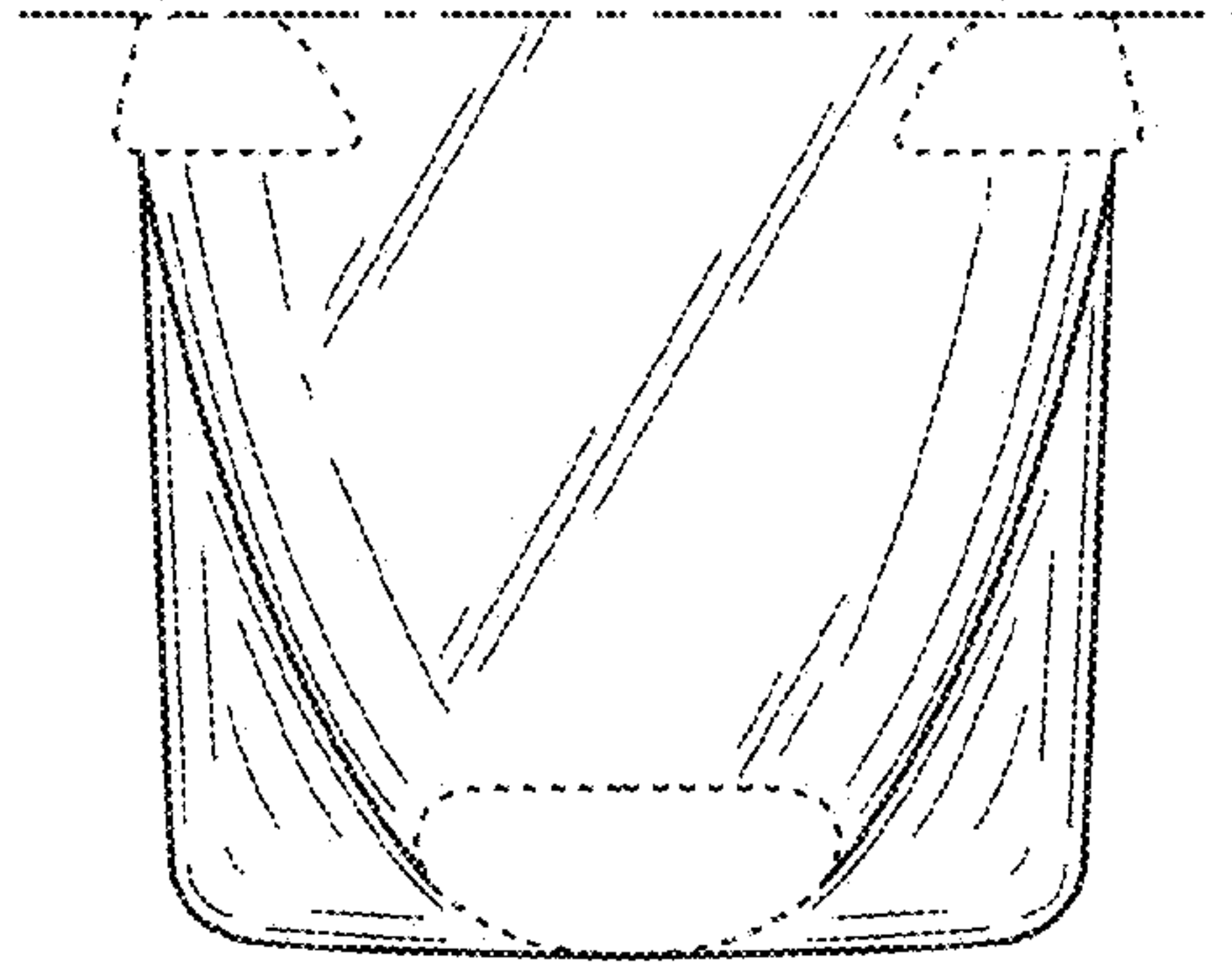
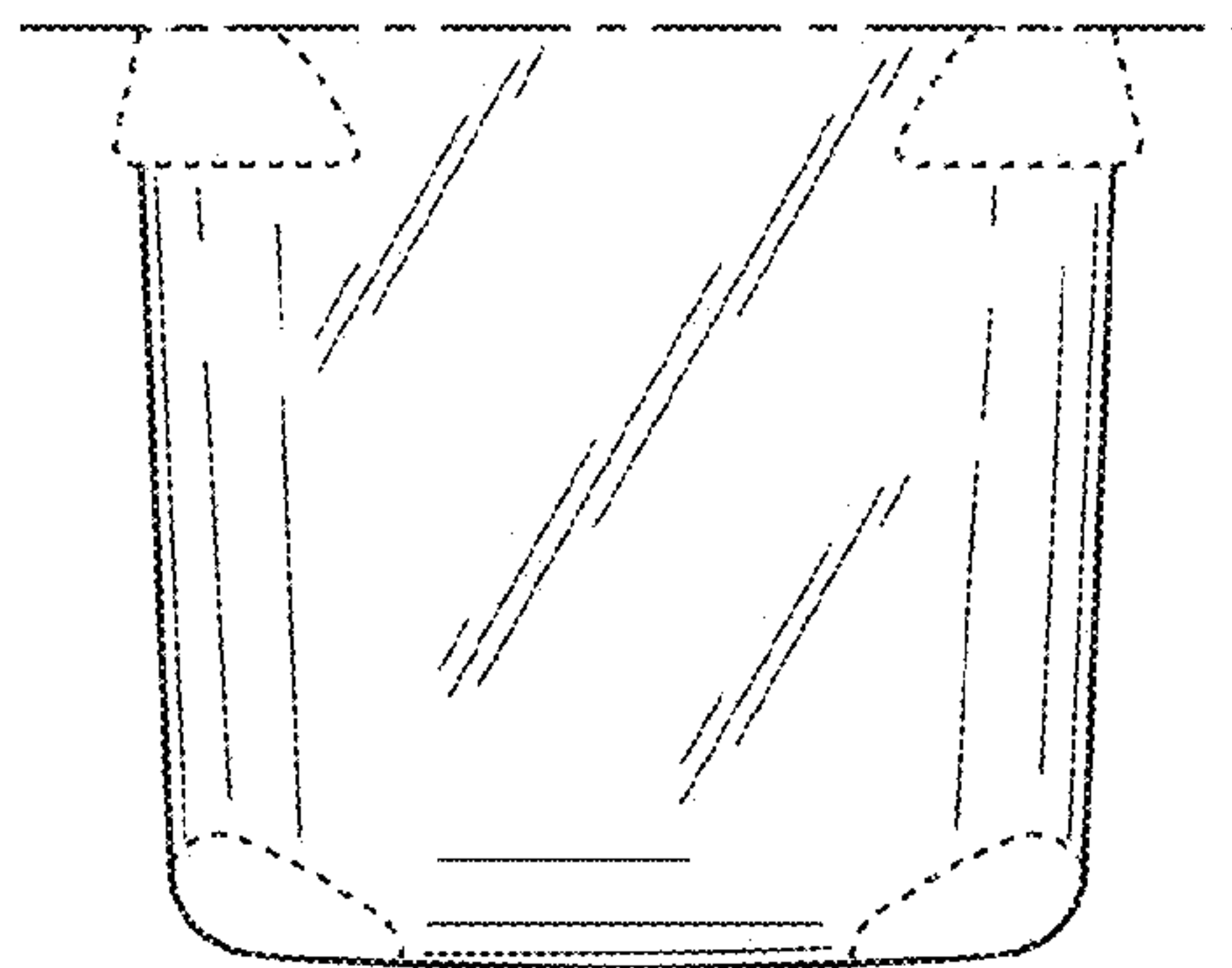


FIG. 5



**FIG. 6**



**FIG. 7**