



US00D737680S

(12) **United States Design Patent**
Breton et al.

(10) **Patent No.:** **US D737,680 S**
(45) **Date of Patent:** **** Sep. 1, 2015**

(54) **CONTAINER WITH DENESTING LUGS**

(71) Applicant: **Huhtamaki, Inc.**, De Soto, KS (US)

(72) Inventors: **Donald V. Breton**, N. Vassalboro, ME (US); **Ross J. Cortino**, Sugar Grove, IL (US)

(73) Assignee: **HUHTAMAKI, INC.**, De Sato, KS (US)

(**) Term: **14 Years**

(21) Appl. No.: **29/470,101**

(22) Filed: **Oct. 17, 2013**

(51) **LOC (10) Cl.** **09-07**

(52) **U.S. Cl.**
USPC **D9/456**

(58) **Field of Classification Search**
USPC D9/430, 431, 432, 433, 434, 435, 454,
D9/455, 456, 499, 506, 507, 508;
206/315.9, 494, 516; 220/23.6, 23.83,
220/781; 229/109, 110, 120.01
CPC B65D 21/00
See application file for complete search history.

(56) **References Cited**

U.S. PATENT DOCUMENTS

3,654,076 A * 4/1972 Hatch 162/391
3,771,646 A * 11/1973 Mascetti, Jr. 206/327
4,306,664 A * 12/1981 Bawden 220/675
4,848,580 A * 7/1989 Wise 206/519
5,042,674 A * 8/1991 Ramsay et al. 220/4.24

5,092,480 A * 3/1992 Waterston 220/23.4
5,377,858 A * 1/1995 Morris, Sr. 220/254.8
5,752,602 A * 5/1998 Ackermann et al. 206/507
D452,149 S * 12/2001 Nance D9/424
D466,407 S * 12/2002 Nance D9/424
6,755,305 B2 * 6/2004 Nance 206/519
7,762,396 B1 * 7/2010 Yang et al. 206/427
7,922,001 B2 * 4/2011 Meers 206/505

* cited by examiner

Primary Examiner — Robert M Spear

(74) *Attorney, Agent, or Firm* — Husch Blackwell LLP

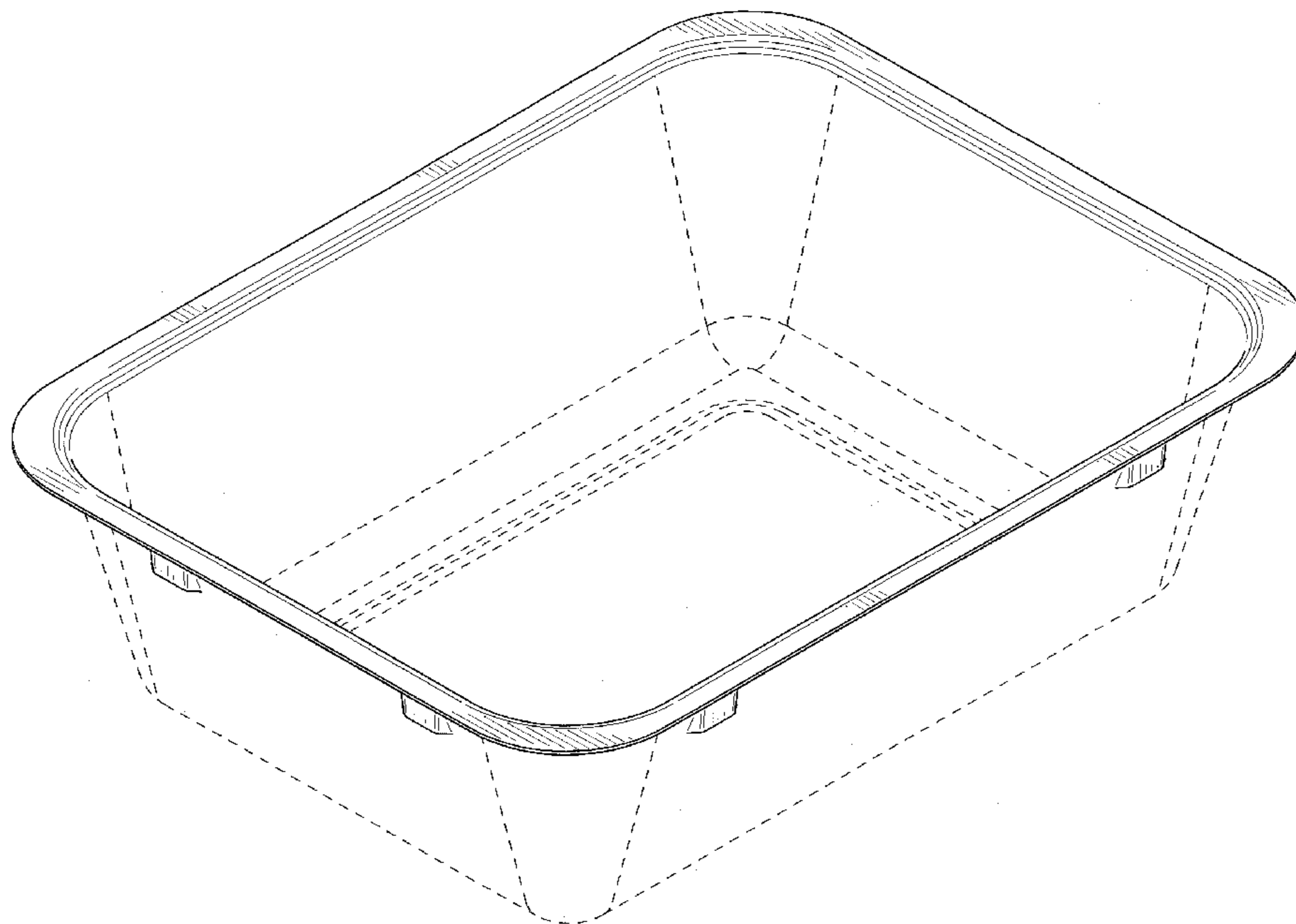
(57) **CLAIM**

The ornamental design for a container with denesting lugs, as shown and described.

DESCRIPTION

FIG. 1 is a top perspective view of the design of a container with denesting lugs;
FIG. 2 is a front side view of the container with denesting lugs shown in FIG. 1;
FIG. 3 is a right side view of the container with denesting lugs shown in FIG. 1;
FIG. 4 is a top plan view of the container with denesting lugs shown in FIG. 1; and,
FIG. 5 is a bottom side view of the container with denesting lugs shown in FIG. 1.
Any features shown in standard broken lines depict environmental subject matter only and form no part of the claimed design. All phantom broken lines indicate the boundary of the container rim and form no part of the claimed design.

1 Claim, 5 Drawing Sheets



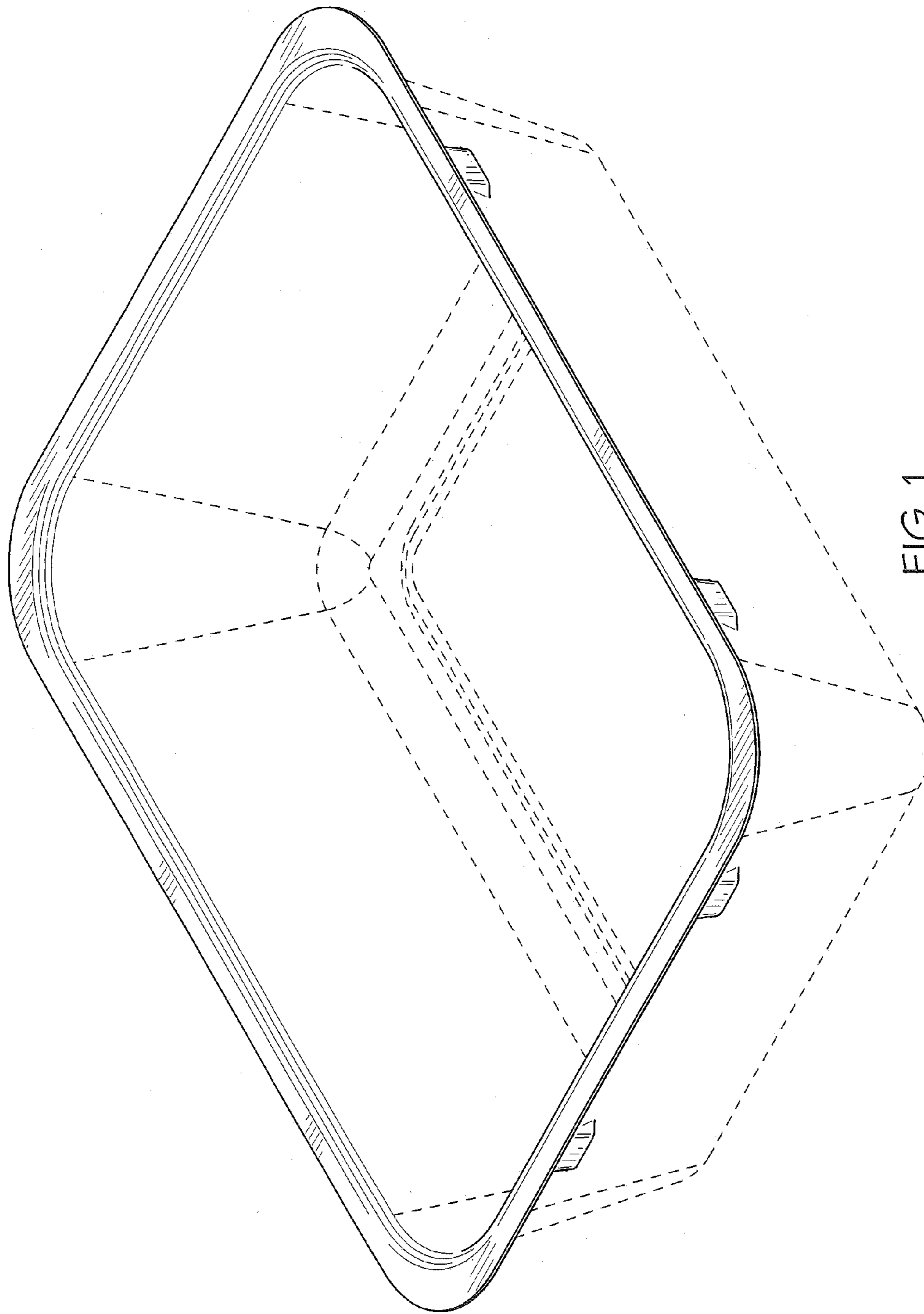


FIG. 1

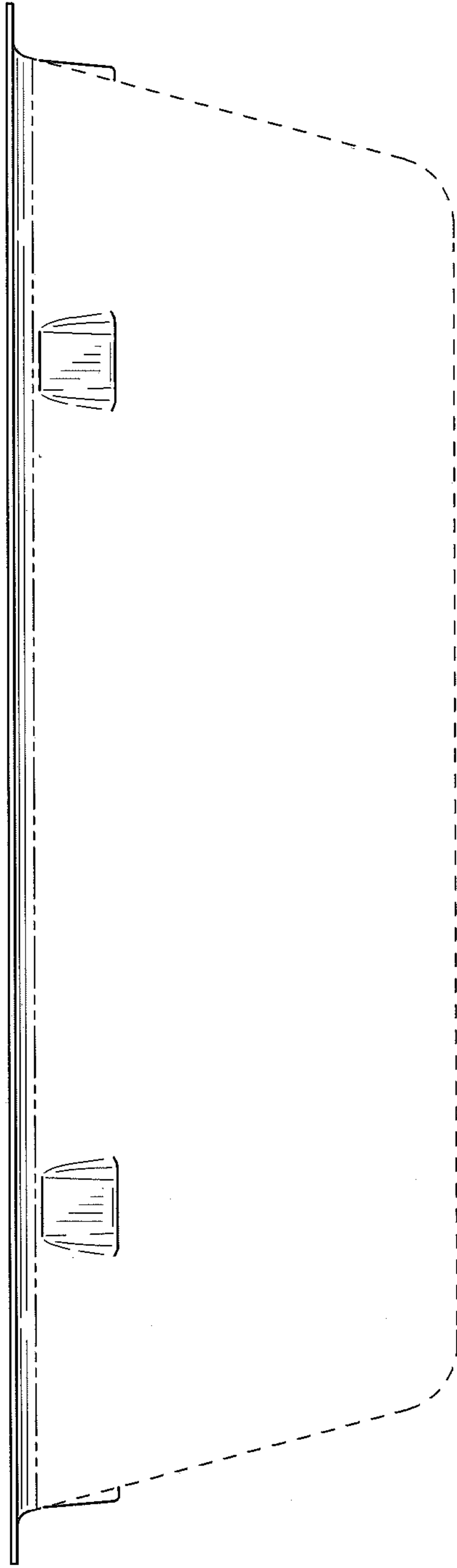


FIG. 2

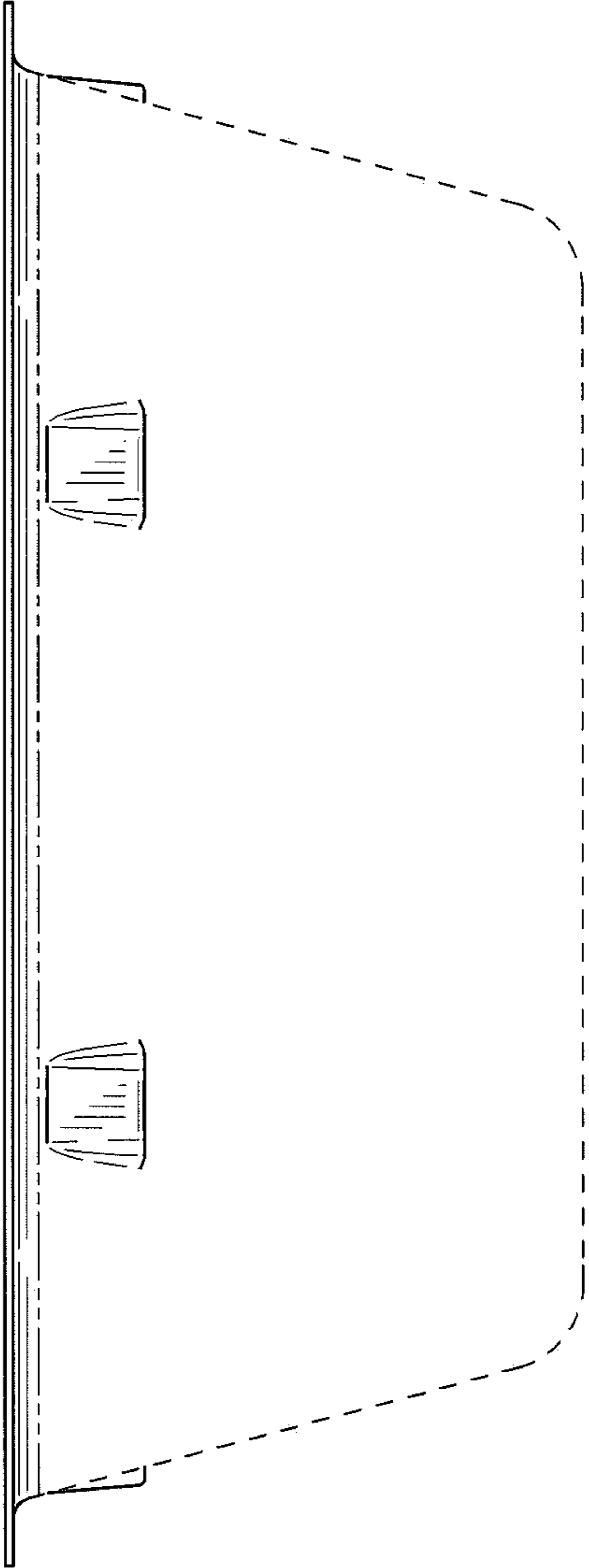


FIG. 3

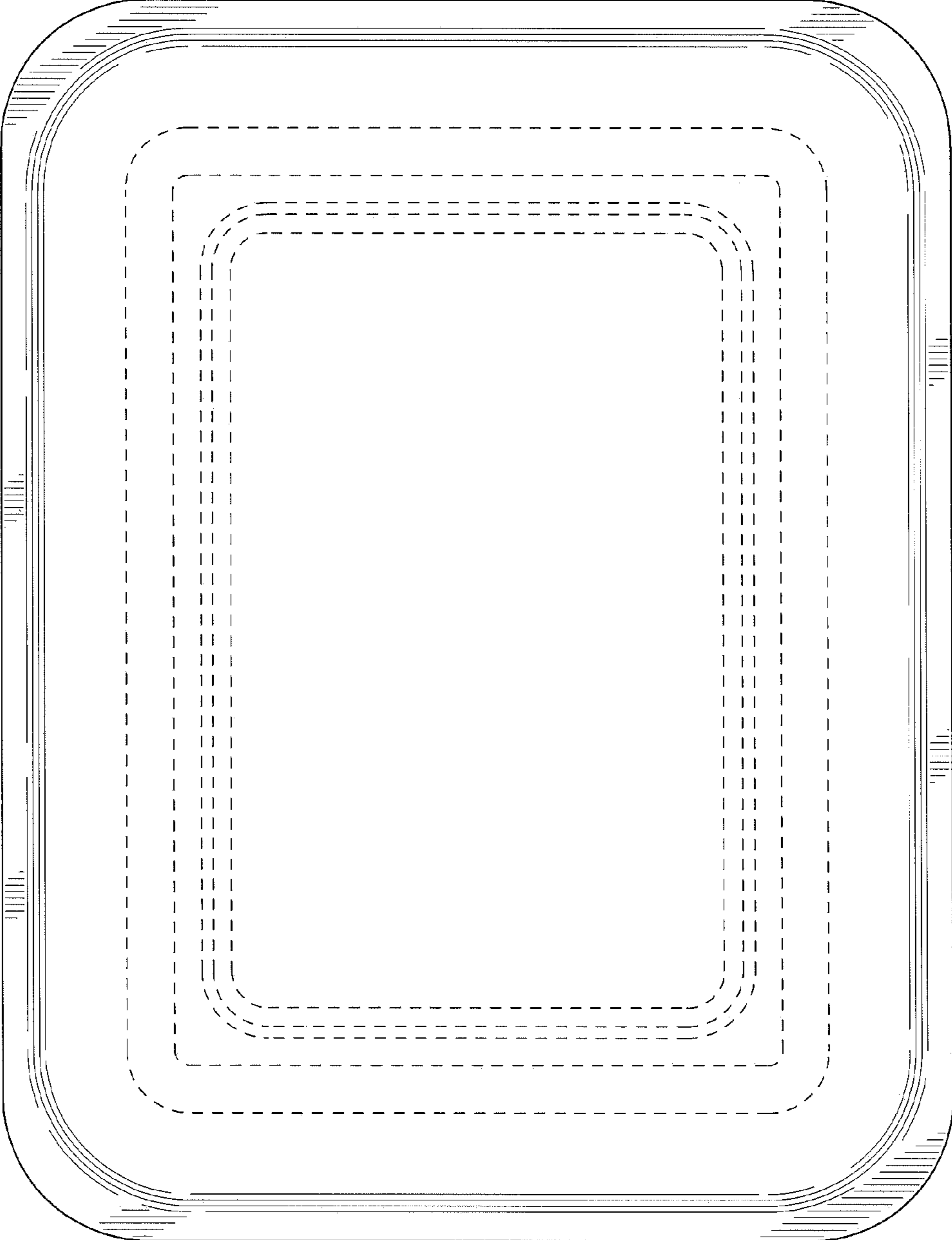


FIG. 4

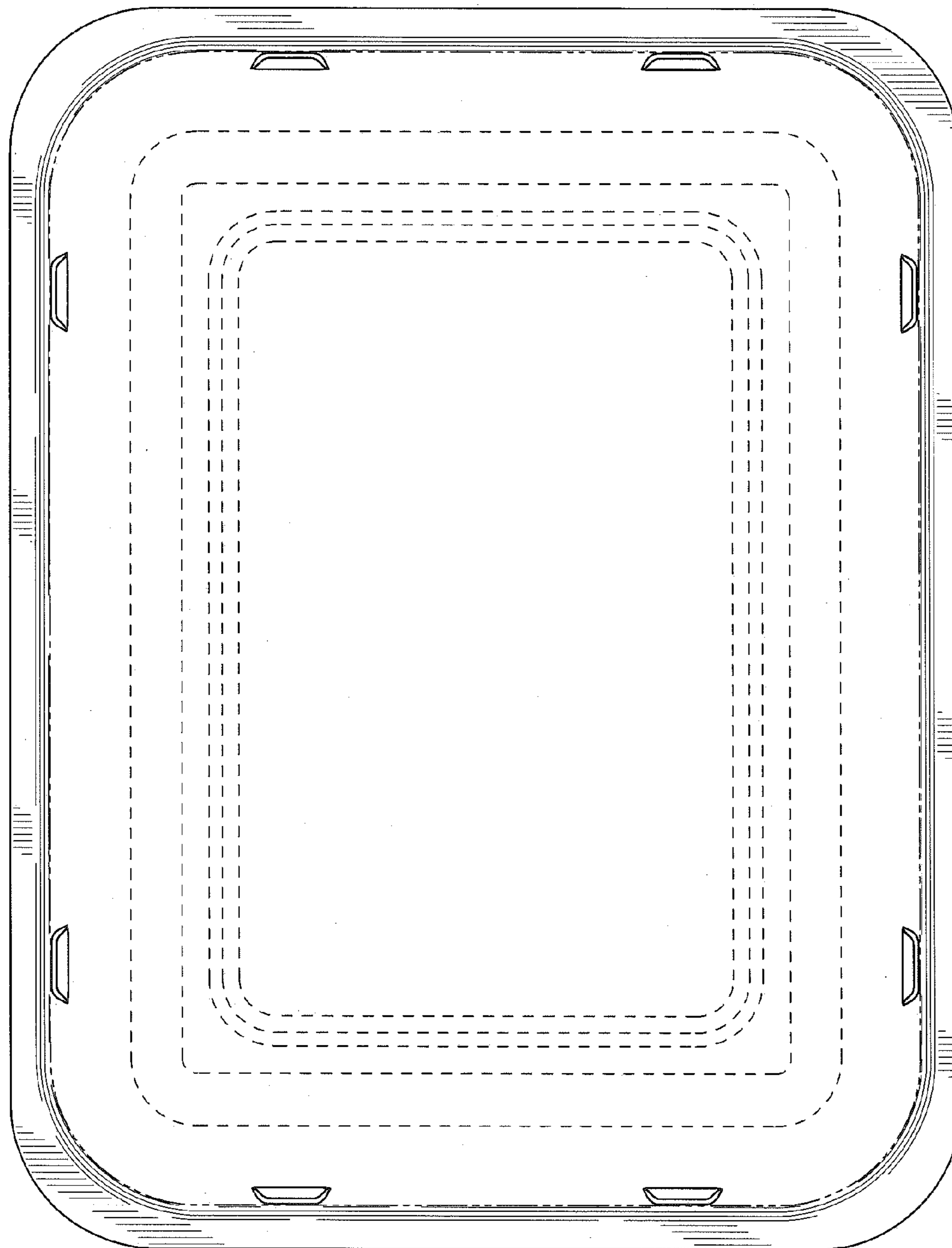


FIG. 5