



US00D737678S

(12) **United States Design Patent**
Danenberg

(10) **Patent No.:** **US D737,678 S**
(45) **Date of Patent:** **** Sep. 1, 2015**

(54) **FOOD PRODUCT CONTAINER**

(71) Applicant: **Land O'Lakes, Inc.**, Arden Hills, MN
(US)

(72) Inventor: **Benjamin R. Danenberg**, White Bear
Lake, MN (US)

(73) Assignee: **Land O'Lakes, Inc.**, Arden Hills, MN
(US)

(**) Term: **14 Years**

(21) Appl. No.: **29/477,406**

(22) Filed: **Dec. 20, 2013**

Related U.S. Application Data

(63) Continuation of application No. 29/459,167, filed on
Jun. 26, 2013, now abandoned, and a continuation of
application No. 29/459,168, filed on Jun. 26, 2013,
now abandoned, said application No. 29/459,167 is a
continuation of application No. 29/434,463, filed on
Oct. 12, 2012, now Pat. No. Des. 685,263, said
application No. 29/459,168.

(51) **LOC (10) Cl.** **09-03**

(52) **U.S. Cl.**
USPC **D9/428**

(58) **Field of Classification Search**
USPC D7/300, 321, 392.1, 396.1, 396.2, 500,
D7/507, 509, 510, 511, 900; D9/434-455,
D9/524, 682, 685, 694, 695, 697, 723;
D28/63, 76; 215/200, 235, 236, 252,
215/254, 329, 355-364;
220/203.04-203.07, 220, 254.1, 254.4,
220/556, 703-705

See application file for complete search history.

(56) **References Cited**

U.S. PATENT DOCUMENTS

| | | | |
|---------------|---------|--------------------|---------|
| D73,573 S | 10/1927 | Miller | |
| D105,274 S | 7/1937 | Fuerst | |
| 2,142,852 A | 1/1939 | Lacy | |
| 2,342,486 A * | 2/1944 | Poglein | 215/200 |
| 3,157,335 A | 11/1964 | Maier | |
| D213,492 S | 3/1969 | Beeman et al. | |
| 3,443,741 A | 5/1969 | Stockdale | |
| D239,358 S | 3/1976 | Kjellqvist | |
| D255,889 S | 7/1980 | Waterfield | |
| D255,967 S | 7/1980 | Andersen | |
| D256,669 S | 9/1980 | Mitchell | |
| D265,462 S | 7/1982 | Andrulionis et al. | |
| D268,470 S | 4/1983 | Kato | |

(Continued)

OTHER PUBLICATIONS

The Collective Dairy UK, Gourmet Yoghurt, <http://www.thecollectivedairy.com/uk/index.php?link=products&cat=yoghurt170g&product=cherry-pomegranate-170g>. downloaded Oct. 11, 2012.

Primary Examiner — Robert M Spear

Assistant Examiner — Marissa J Cash

(74) *Attorney, Agent, or Firm* — Dorsey & Whitney LLP;
Bridget M. Hayden, Esq.

(57) **CLAIM**

I claim the ornamental design for a food product container,
substantially as shown and described.

DESCRIPTION

FIG. 1 is an isometric view of a food product container of the
present invention;

FIG. 2 is a side elevation view thereof;

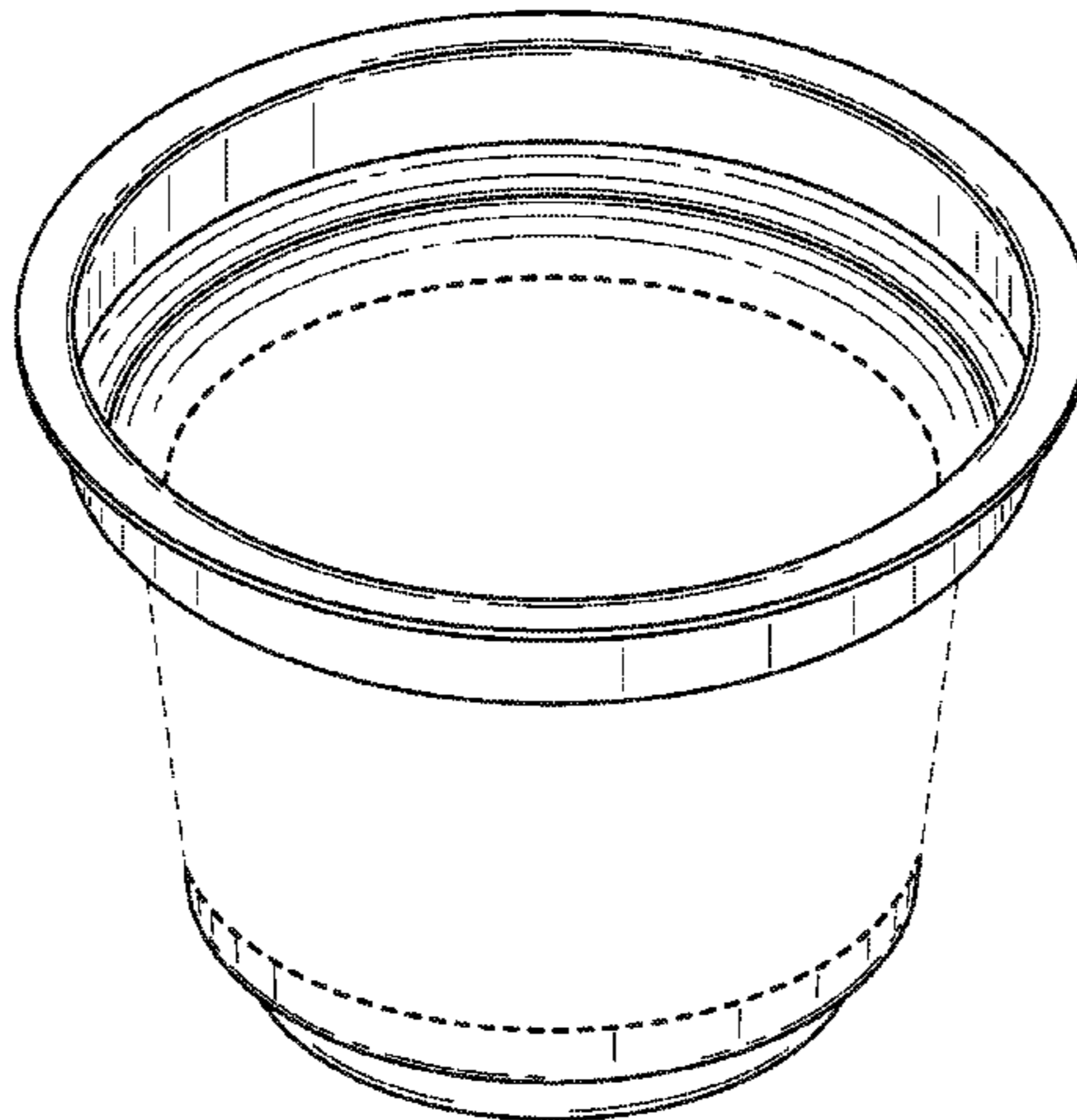
FIG. 3 is a top plan view thereof; and,

FIG. 4 is a bottom plan view thereof.

The thin broken line portion of the drawings in FIGS. 1-4 is
included to show unclaimed subject matter only and forms no
part of the claimed design.

The claimed subject matter extends to heavy broken line
portion of the drawings in FIGS. 1-4, which defines the
boundary of the claim only and forms no part of the claimed
design.

1 Claim, 4 Drawing Sheets



(56)

References Cited

U.S. PATENT DOCUMENTS

| | | | | | | | |
|--------------|---------|---------------------|----------|-----------------|---------|-------------------|--------|
| D316,686 S | 5/1991 | Tardif | | D544,813 S | 6/2007 | Schmidt | |
| D317,100 S * | 5/1991 | Unger | D7/509 | D605,060 S | 12/2009 | Reimer | |
| D327,424 S | 6/1992 | Pierce | | D606,363 S | 12/2009 | Aardenburg | |
| D345,676 S | 4/1994 | Biffle | | D618,094 S | 6/2010 | Arnell | |
| D354,227 S | 1/1995 | Adami et al. | | D627,636 S | 11/2010 | Fang | |
| D369,760 S | 5/1996 | Sanderson | | D634,191 S | 3/2011 | Arnell | |
| D390,466 S * | 2/1998 | Mao | D9/454 | D640,141 S | 6/2011 | Chapin | |
| D411,742 S * | 6/1999 | Kokenge et al. | D9/434 | D642,454 S | 8/2011 | Santoiemmo | |
| D429,150 S * | 8/2000 | Lindsay et al. | D9/425 | D642,455 S | 8/2011 | Santoiemmo | |
| D442,860 S | 5/2001 | Symons et al. | | D644,924 S | 9/2011 | Lin | |
| D448,299 S | 9/2001 | Negre | | D651,046 S * | 12/2011 | Myers | D7/523 |
| D453,094 S | 1/2002 | Maggard et al. | | D652,266 S | 1/2012 | Smyers | |
| D465,154 S | 11/2002 | O'Brien | | D665,663 S | 8/2012 | Krupa | |
| D513,152 S | 12/2005 | Cahen | | D684,459 S * | 6/2013 | Stowe et al. | D9/428 |
| D534,039 S | 12/2006 | Laib et al. | | D685,263 S | 7/2013 | Danenberg | |
| D541,148 S | 4/2007 | Gross et al. | | D697,801 S * | 1/2014 | Rapparini | D9/500 |
| D544,298 S * | 6/2007 | Eide et al. | D7/396.1 | D705,064 S * | 5/2014 | Sy | D9/500 |
| | | | | D710,686 S * | 8/2014 | Gowens | D9/429 |
| | | | | 2002/0088807 A1 | 7/2002 | Perkovic et al. | |

* cited by examiner

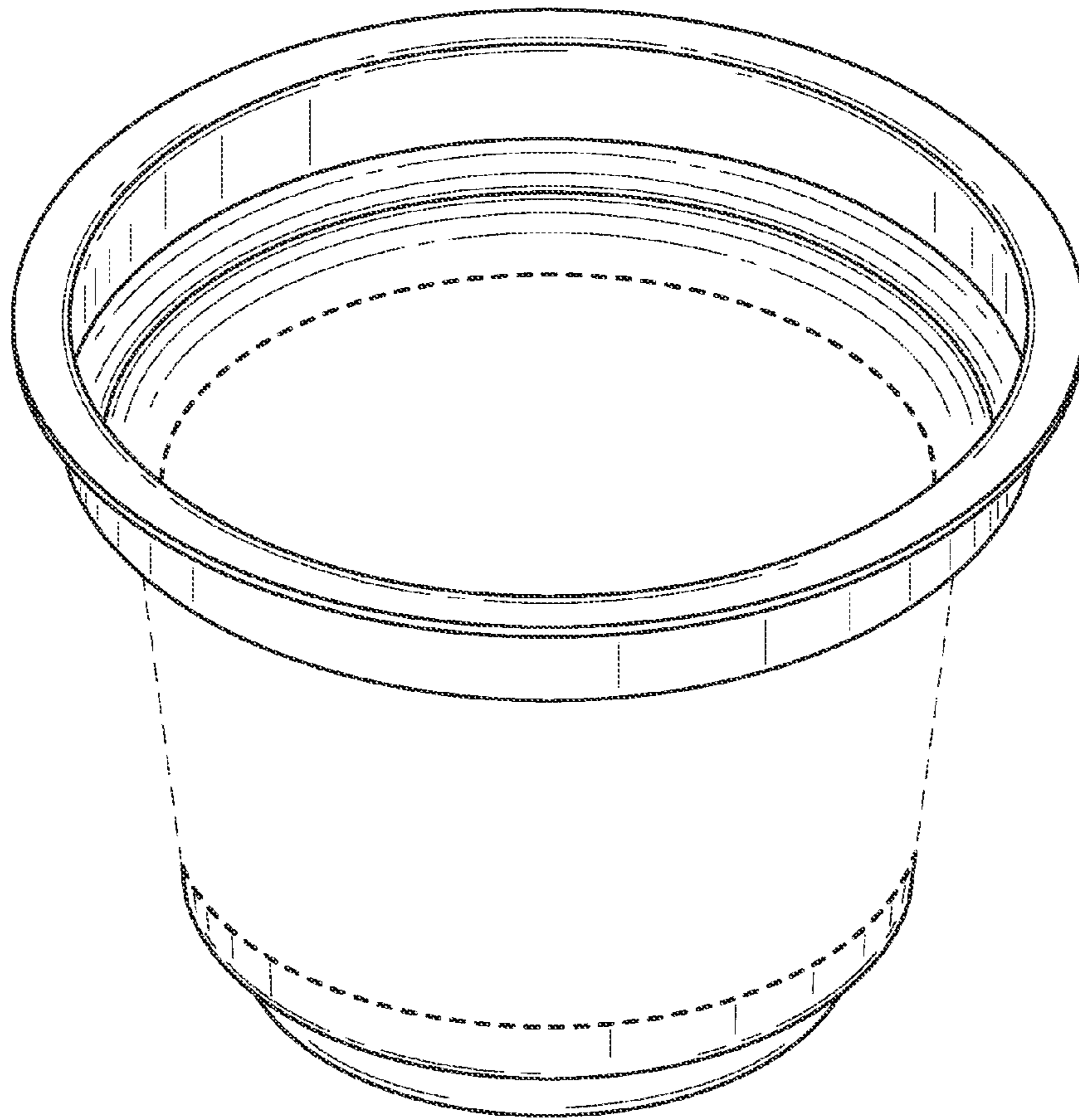


Fig. 1

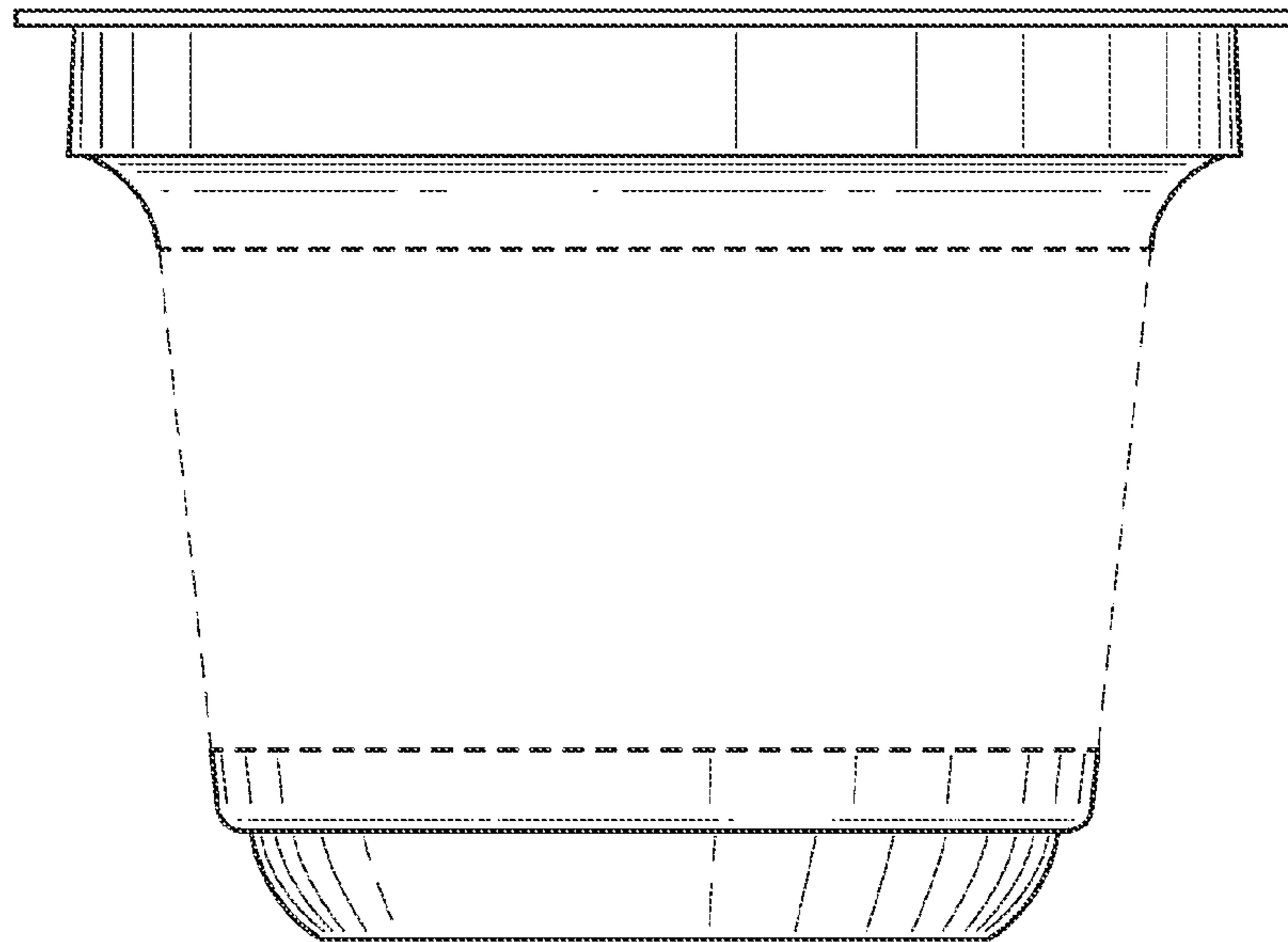


Fig. 2

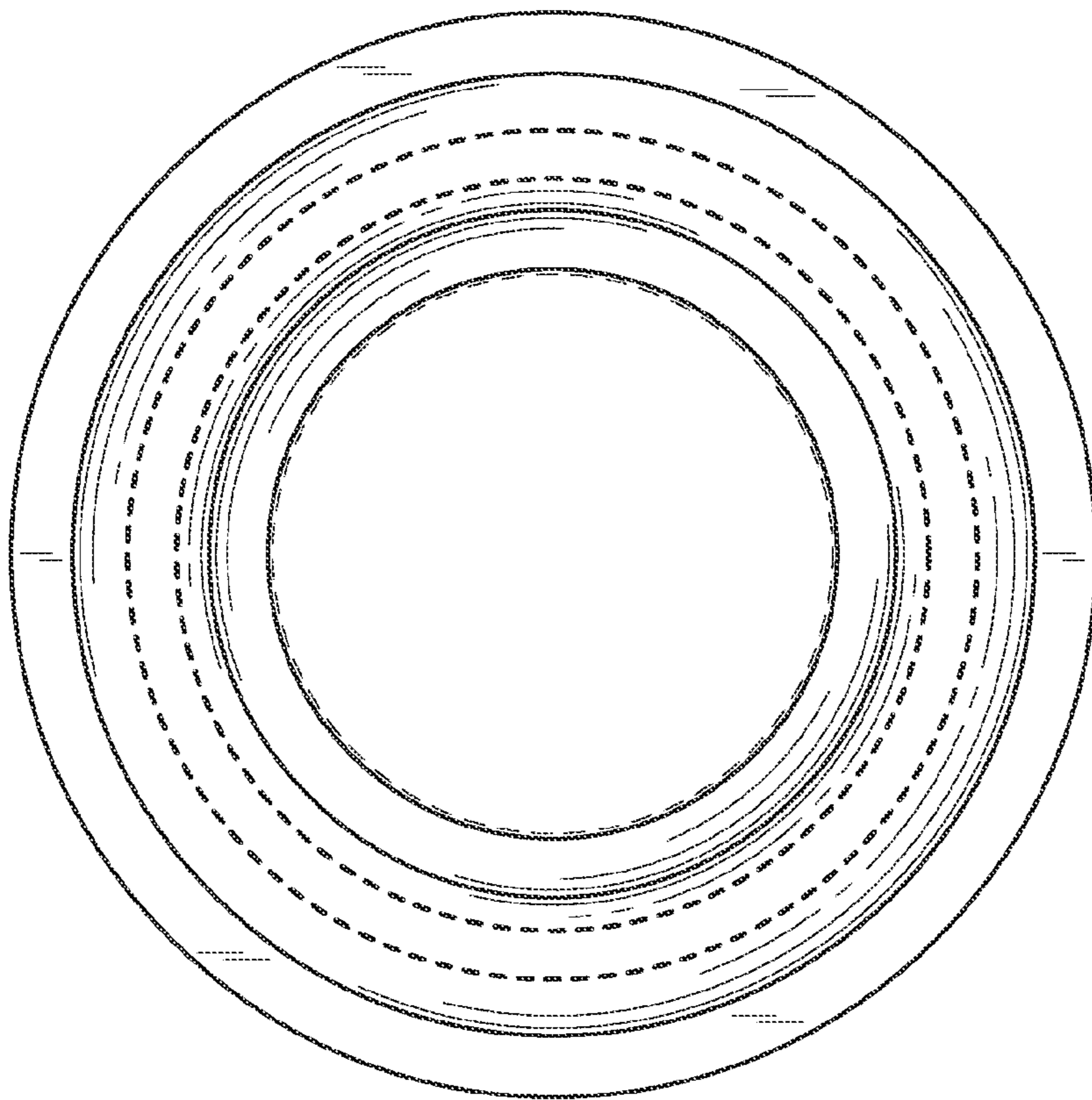


Fig. 3

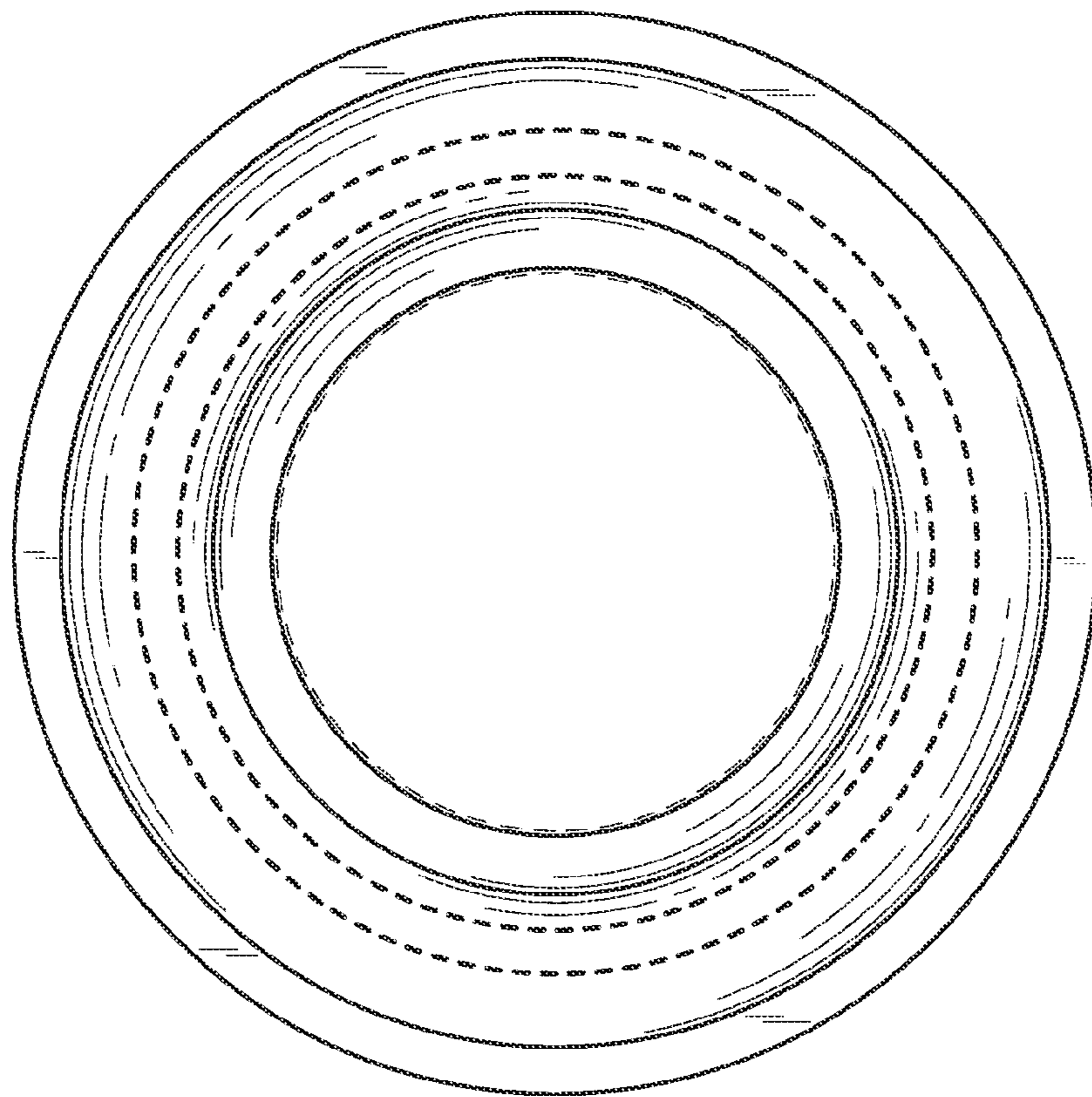


Fig. 4