



US00D737677S

(12) **United States Design Patent**
Yunker et al.

(10) **Patent No.:** **US D737,677 S**

(45) **Date of Patent:** **** Sep. 1, 2015**

(54) **FOOD CONTAINER**

(71) Applicant: **KFC Corporation**, Louisville, KY (US)

(72) Inventors: **Todd Yunker**, Evansville, IN (US);
Darin Koestring, Evansville, IN (US)

(73) Assignee: **KFC Corporation**, Louisville, KY (US)

(**) Term: **14 Years**

(21) Appl. No.: **29/462,171**

(22) Filed: **Jul. 31, 2013**

(51) **LOC (10) Cl.** **09-03**

(52) **U.S. Cl.**

USPC **D9/428**

(58) **Field of Classification Search**

USPC D9/414, 416, 417, 418, 419, 420-438,
D9/440, 447, 454, 499, 500, 502, 503,
D9/904; D3/202, 203.3, 302, 304;
D11/152, 153; D7/503, 513, 527, 541,
D7/542, 545, 566, 586, 587, 601, 602, 612,
D7/615, 619.1, 629, 630, 624.3, 373, 402,
D7/523, 672, 507; 99/646 C, DIG. 15;
220/564, 560.09, 568; 206/223, 541,
206/423, 501, 502, 503, 505, 508, 561, 564
CPC B65D 2543/00092; B65D 2543/00351;
B65D 41/32; B65D 2251/105; B65D
2251/1058; B65D 43/163; B65D 2543/00027;
B65D 2543/00194; B65D 2543/00296; B65D
2543/0024; B65D 2543/00805; B65D 41/16;
B65D 43/0204

See application file for complete search history.

(56) **References Cited**

U.S. PATENT DOCUMENTS

D297,118 S * 8/1988 Fontana et al. D9/737
D350,897 S * 9/1994 Barthold D9/425
D370,392 S * 6/1996 Flanagan D7/619.1
D394,005 S * 5/1998 Marijnissen D9/416
D415,681 S * 10/1999 Yourist D9/434
D424,768 S * 5/2000 Tsou D32/53
D447,053 S * 8/2001 Chagnon et al. D9/428
D453,108 S * 1/2002 Gasco D9/429

(Continued)

OTHER PUBLICATIONS

Internet search URL<<http://www.today.com/video/today/53165119#57129663>[Date searched Mar. 18, 2015].*

(Continued)

Primary Examiner — Philip S Hyder

Assistant Examiner — Keith Frank

(74) *Attorney, Agent, or Firm* — Stites & Harbison, PLLC;
David W. Nagle, Jr.

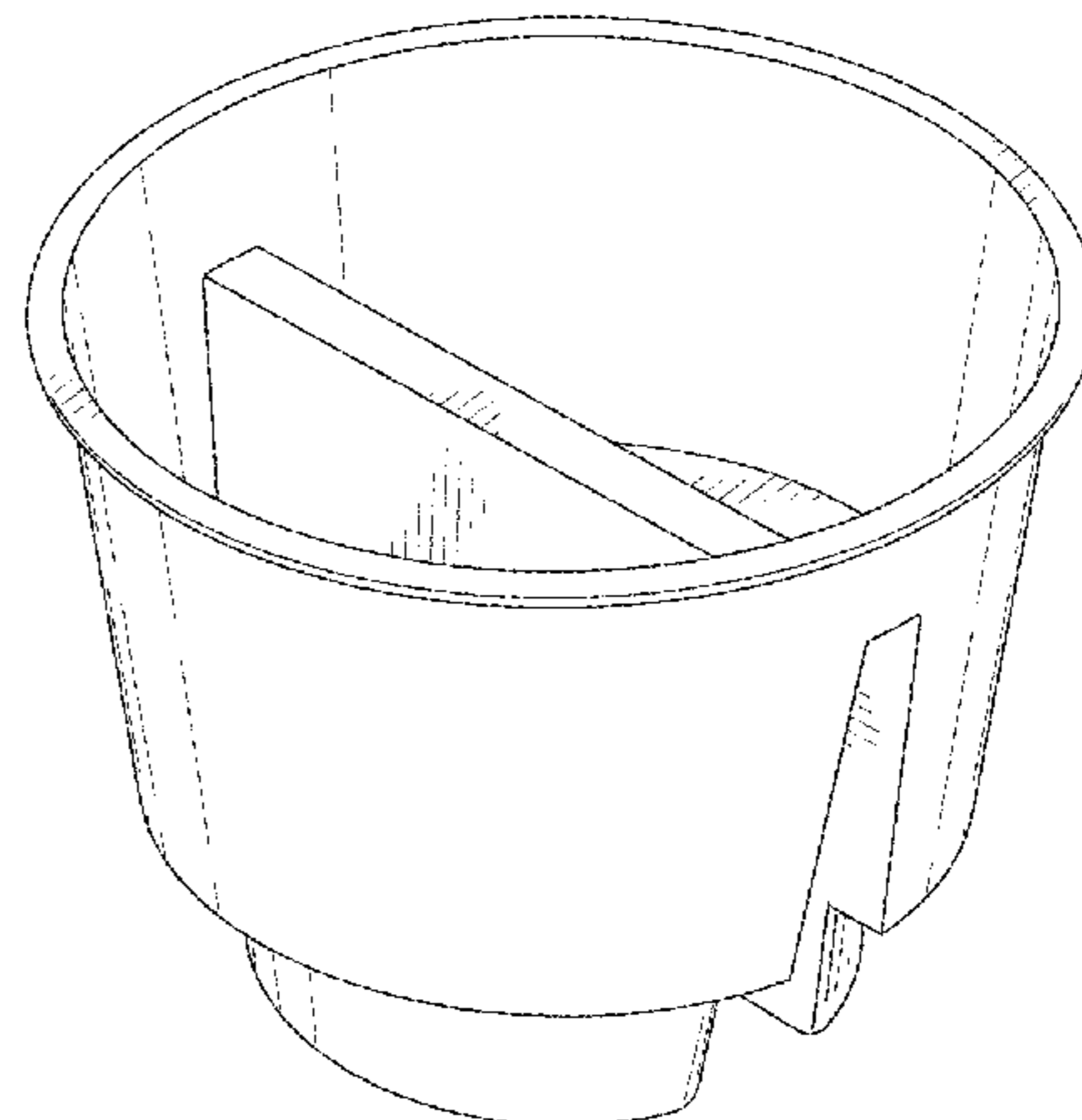
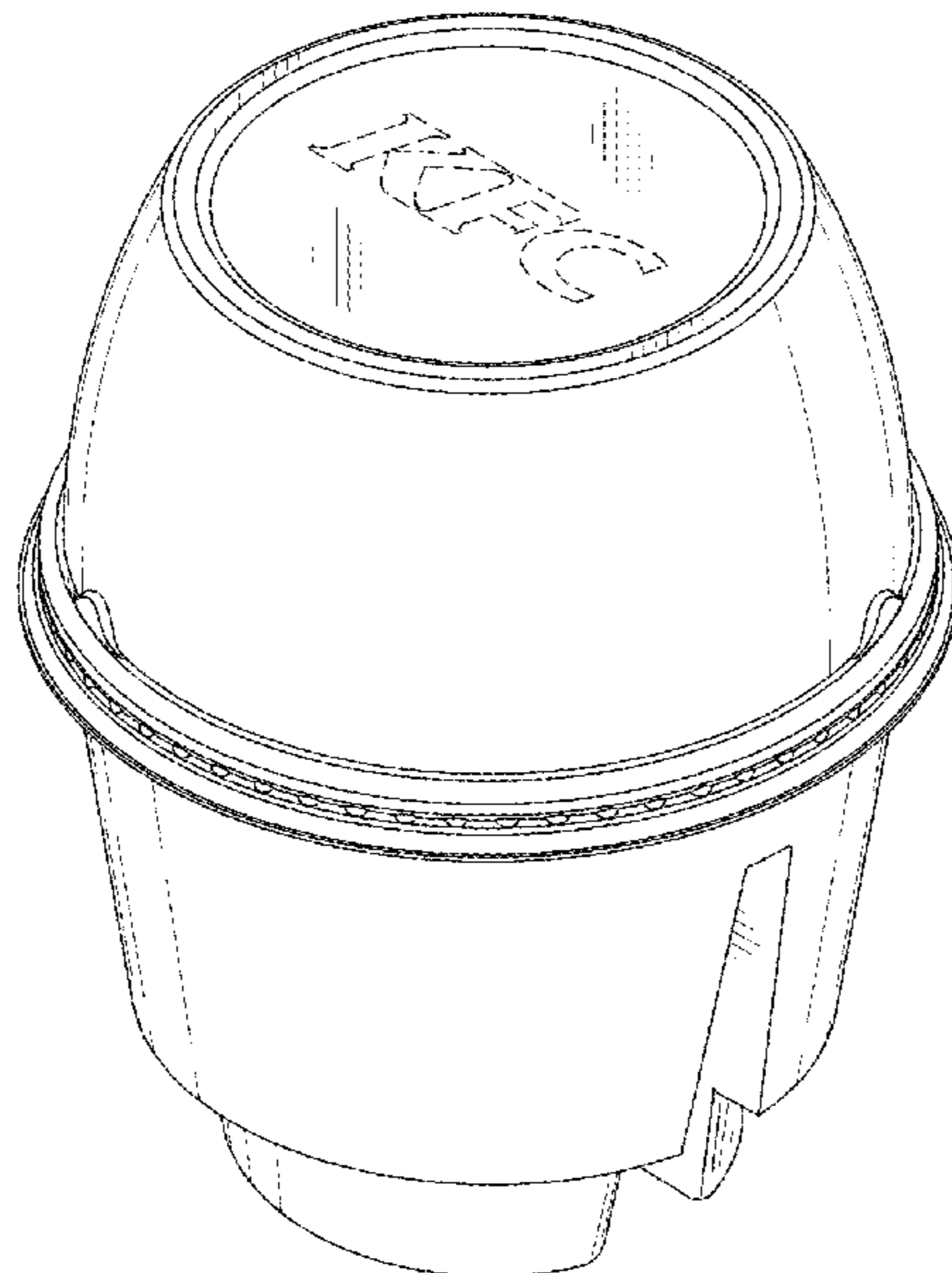
(57) **CLAIM**

The ornamental design for a food container, as shown and described.

DESCRIPTION

FIG. 1 is a perspective view of a food container incorporating the design of the present invention;
FIG. 2 is another perspective view of the food container of FIG. 1, but with the lid removed;
FIG. 3 is a front view of the food container of FIG. 1;
FIG. 4 is a rear view of the food container of FIG. 1;
FIG. 5 is a left side view of the food container of FIG. 1;
FIG. 6 is a right side view of the food container of FIG. 1;
FIG. 7 is a top view of the food container of FIG. 1; and,
FIG. 8 is a bottom view of the food container of FIG. 1.
The broken lines shown in FIGS. 1 and 7 depict unclaimed subject matter only and form no part of the claimed design.

1 Claim, 4 Drawing Sheets



(56)

References Cited

U.S. PATENT DOCUMENTS

D480,601 S * 10/2003 Pettaweebuncha D7/513
D541,147 S * 4/2007 LaMasney D9/428
D557,985 S * 12/2007 Arcangeli et al. D7/536
D595,154 S * 6/2009 Nicholson et al. D9/737
D634,617 S * 3/2011 Sellari et al. D9/424
D637,481 S * 5/2011 Sellari et al. D9/424
D638,290 S * 5/2011 Cimmerer et al. D9/429
D645,748 S * 9/2011 Sharma et al. D9/503
D656,816 S 4/2012 Glaser et al.

D669,368 S * 10/2012 Ehrmann D9/737
D693,687 S * 11/2013 Karay D9/503
D701,115 S * 3/2014 Doerr et al. D9/424
D703,043 S * 4/2014 Kovitz et al. D9/435
2014/0314937 A1* 10/2014 Wang 426/590

OTHER PUBLICATIONS

Internet search URL<<http://www.dailymail.co.uk/news/article-2440127/KFC-releases-combo-meal-containers-fit-inside-cars-cup-holders.html>[Date searched Mar. 18, 2015].*

* cited by examiner

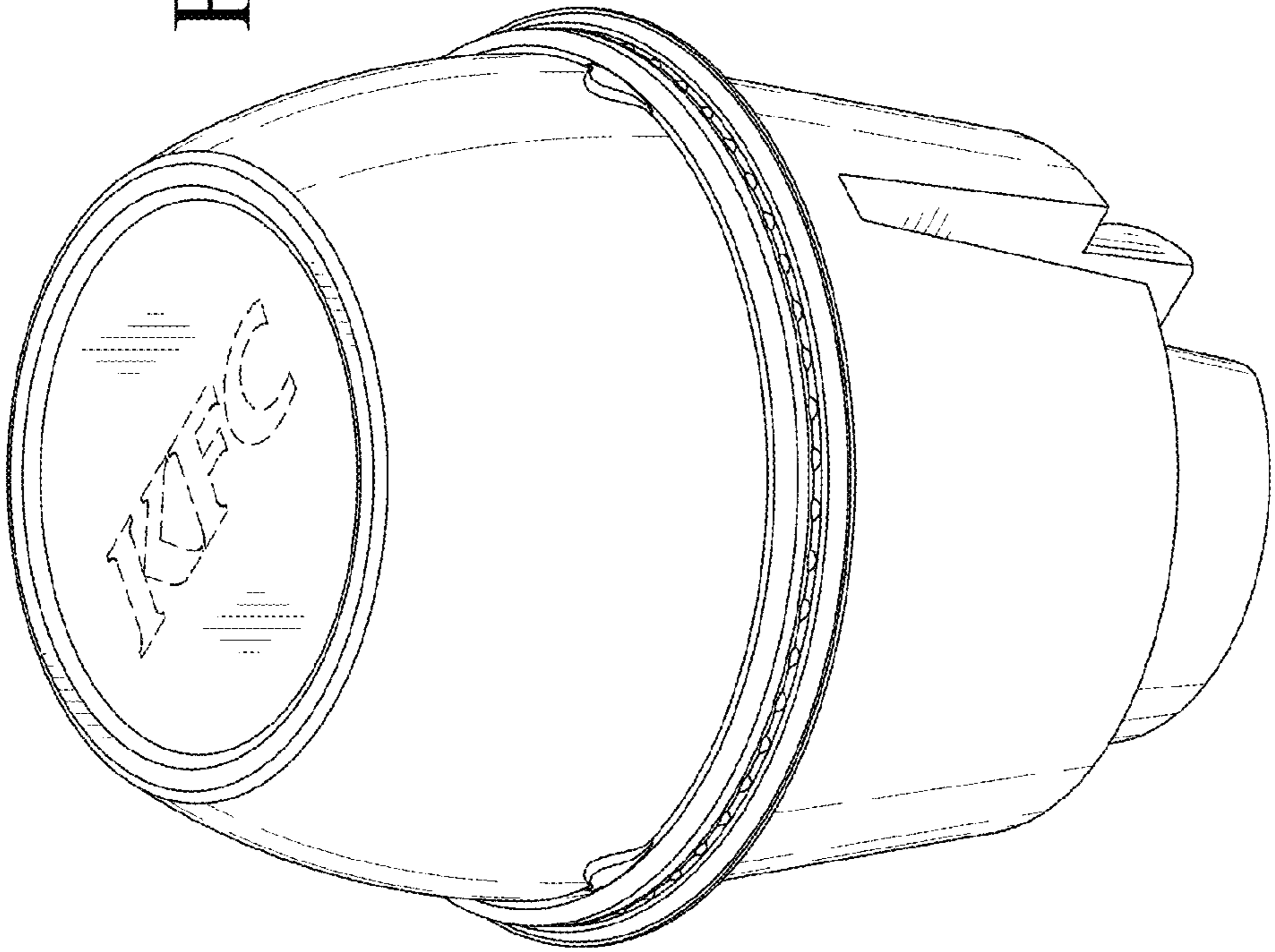


FIG. 1

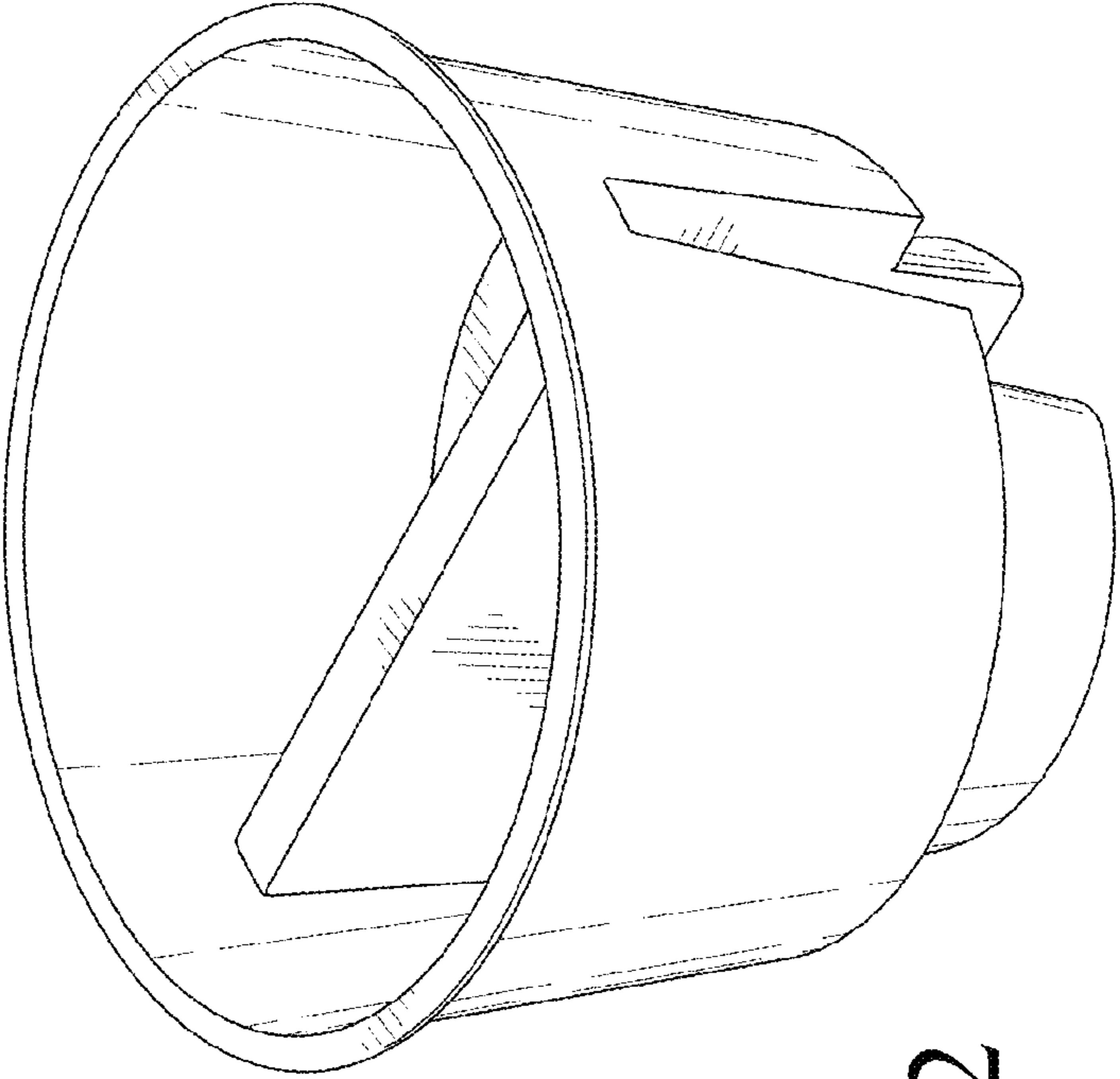


FIG. 2

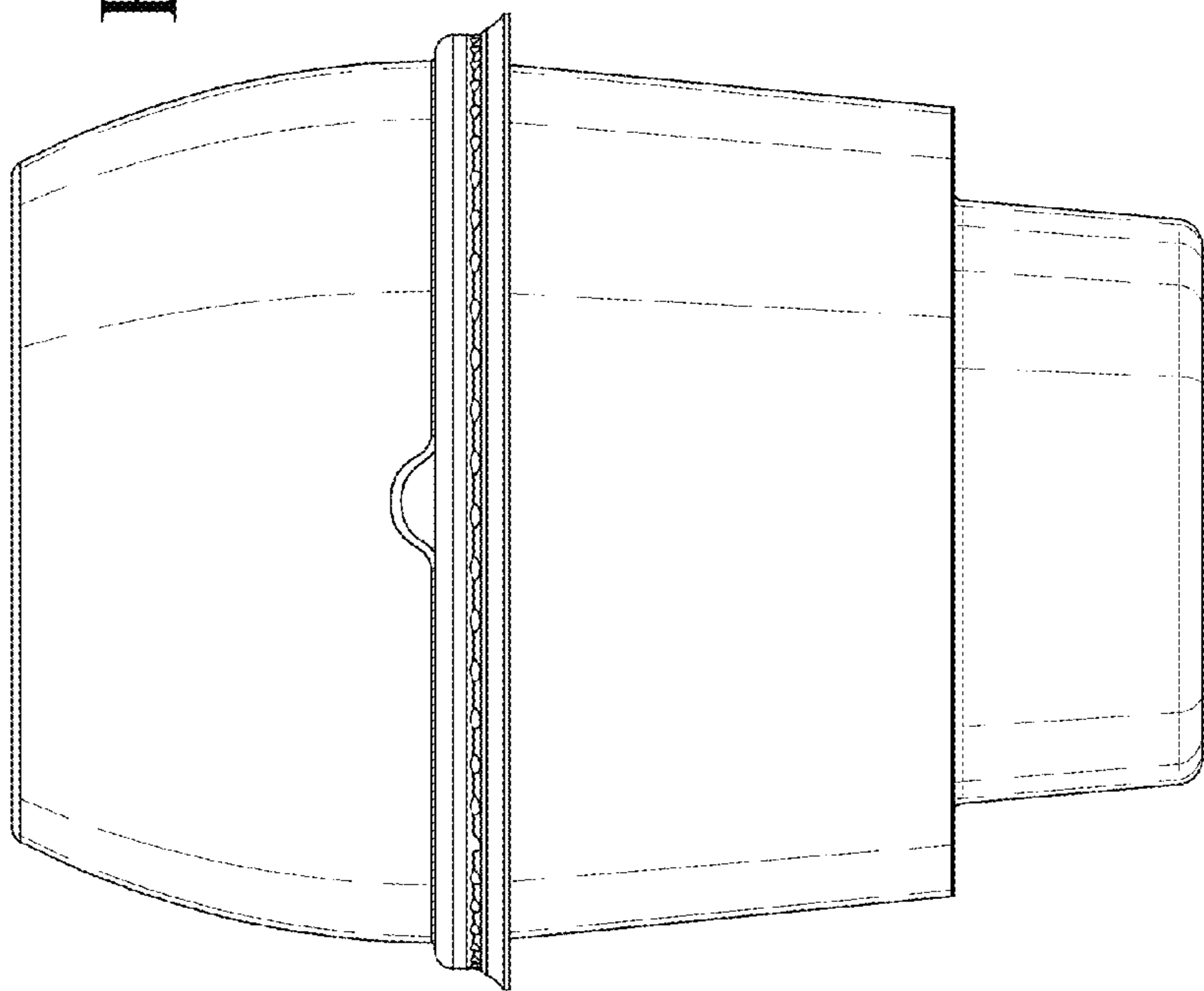


FIG. 3

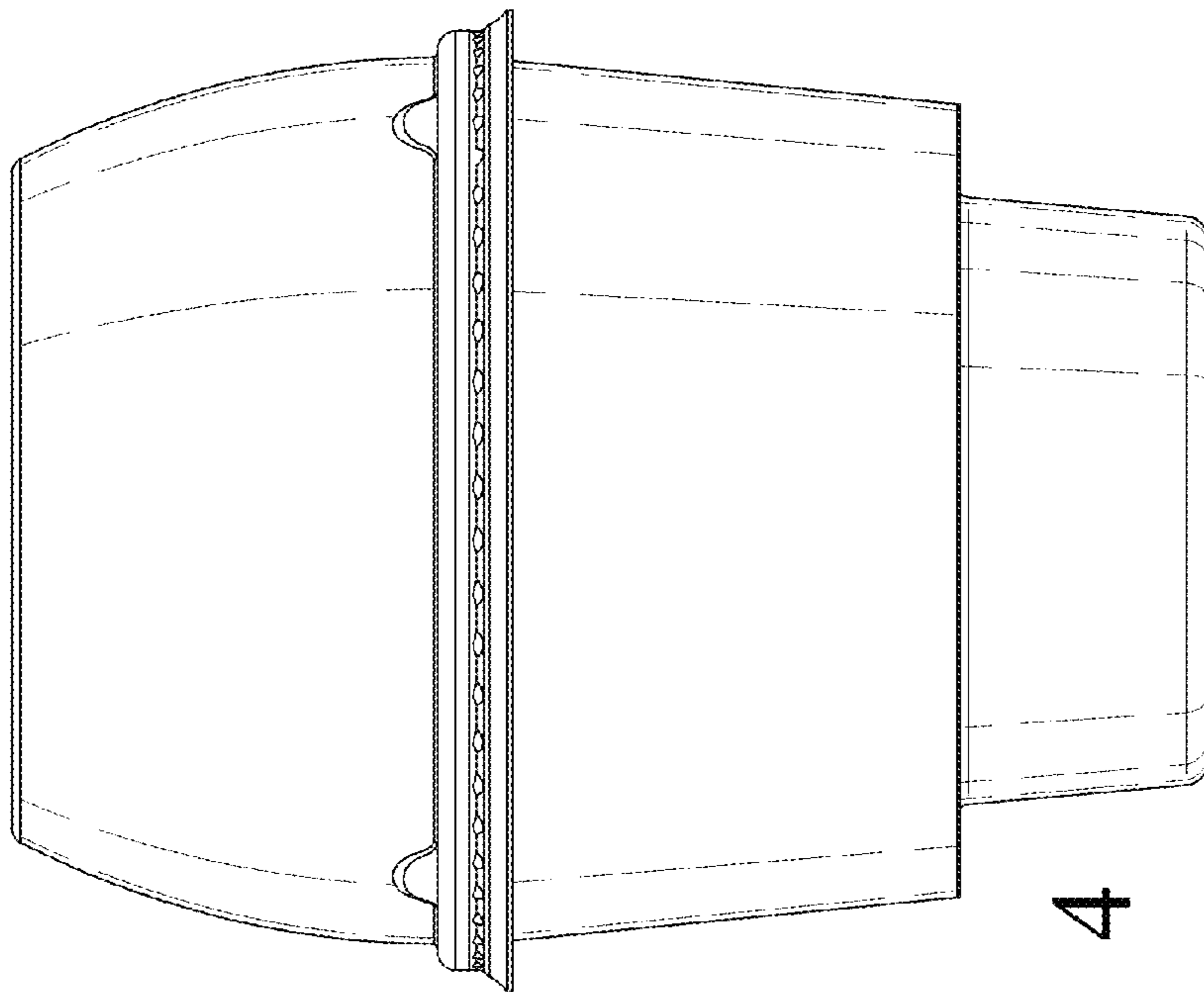


FIG. 4

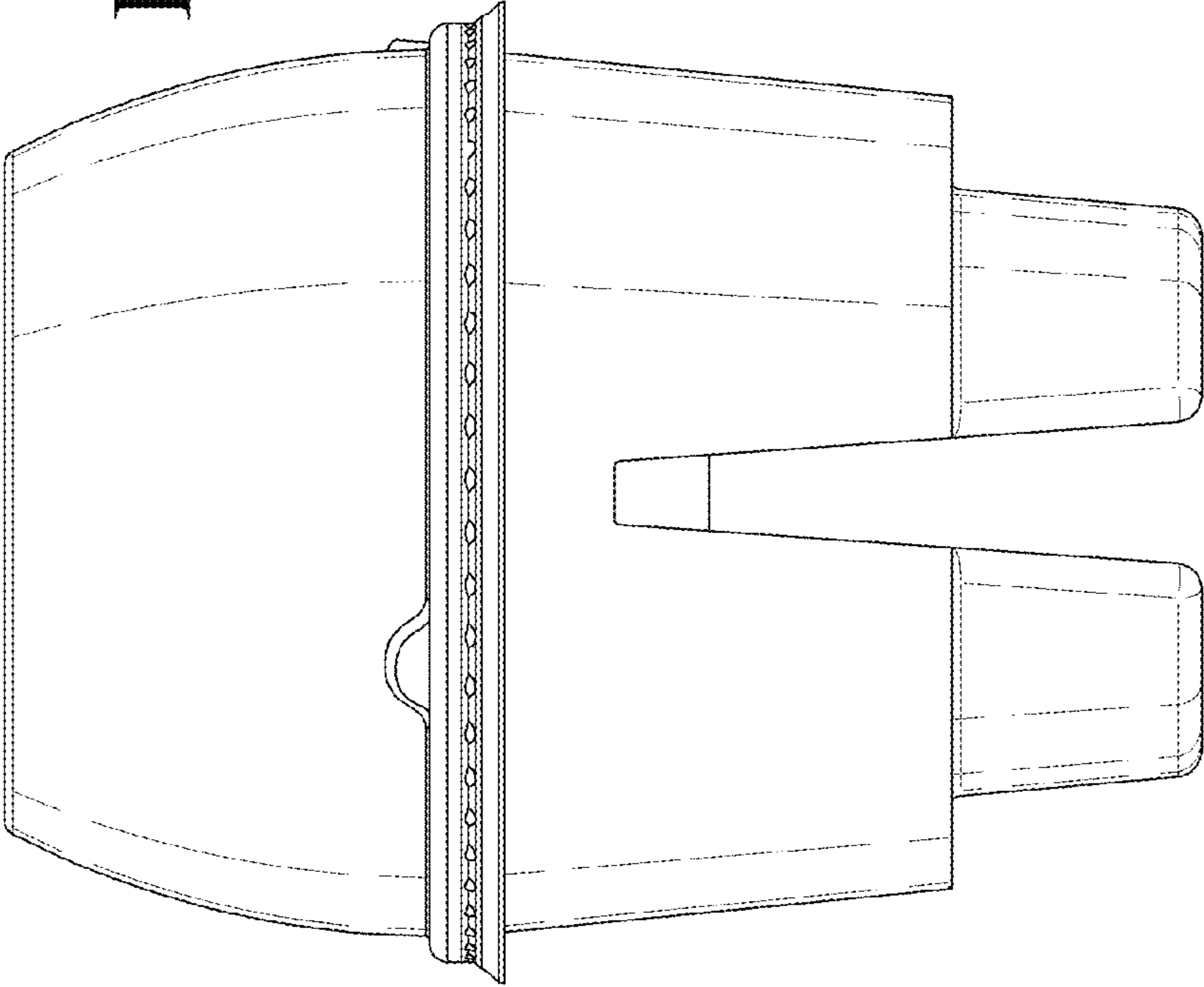


FIG. 5

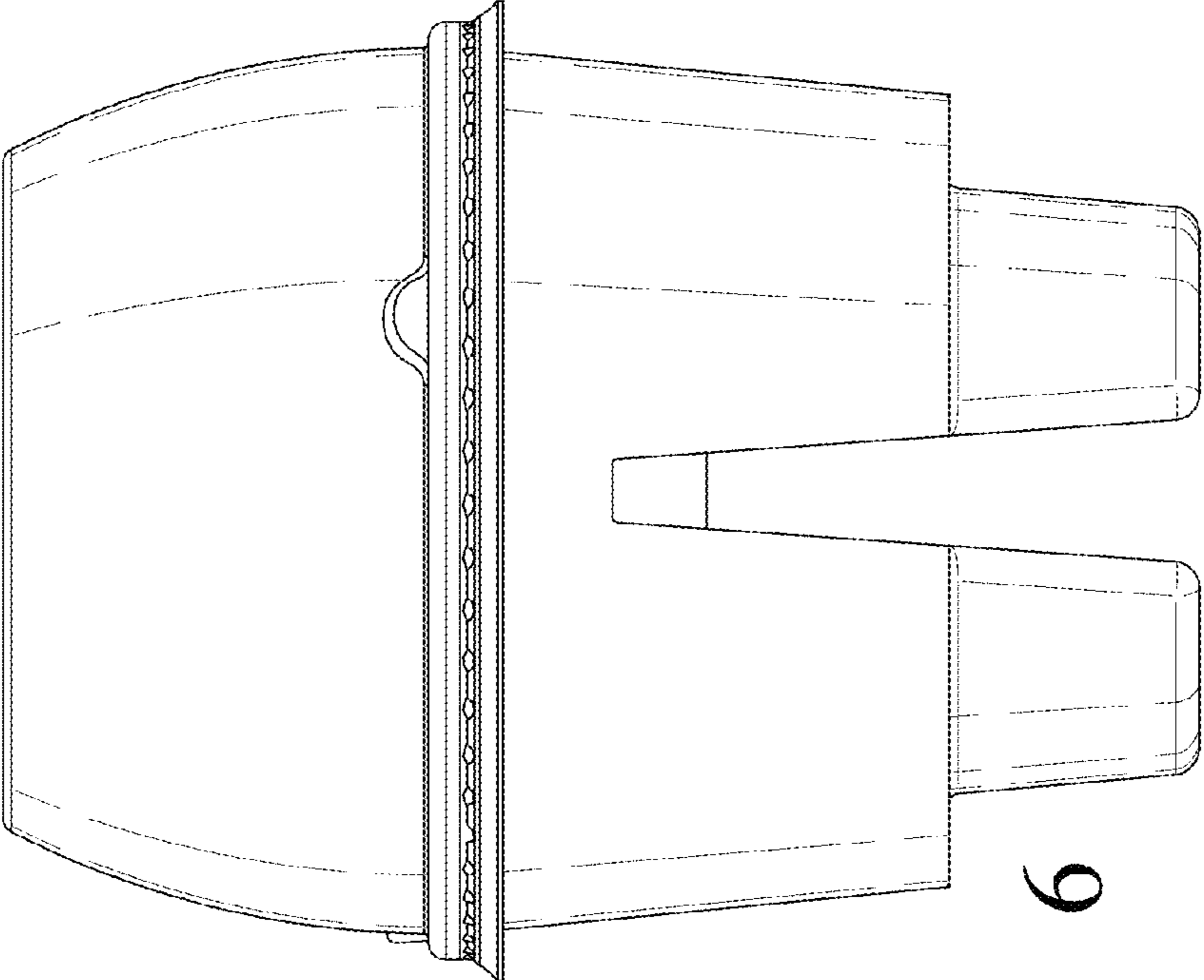


FIG. 6

FIG. 7

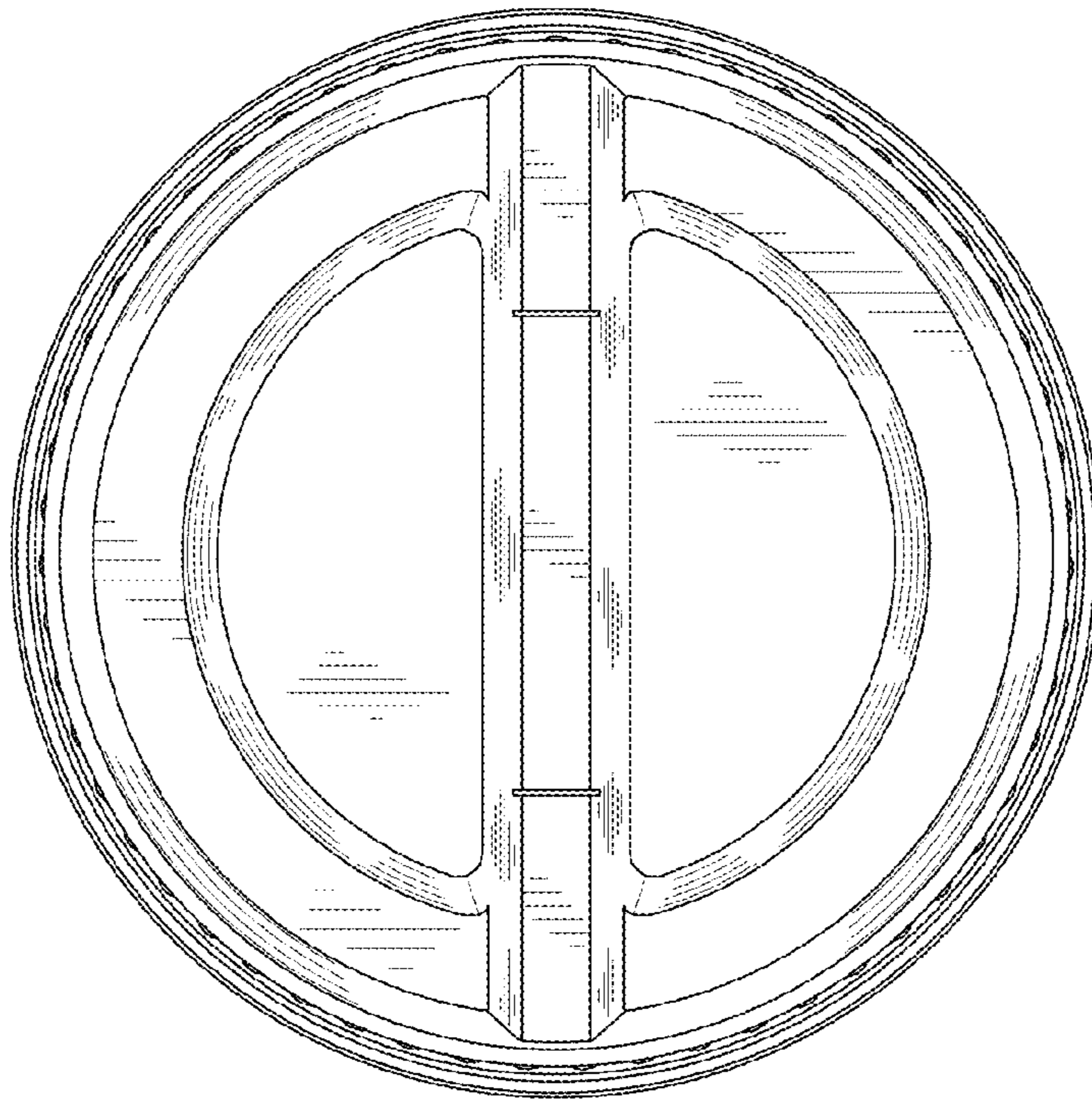
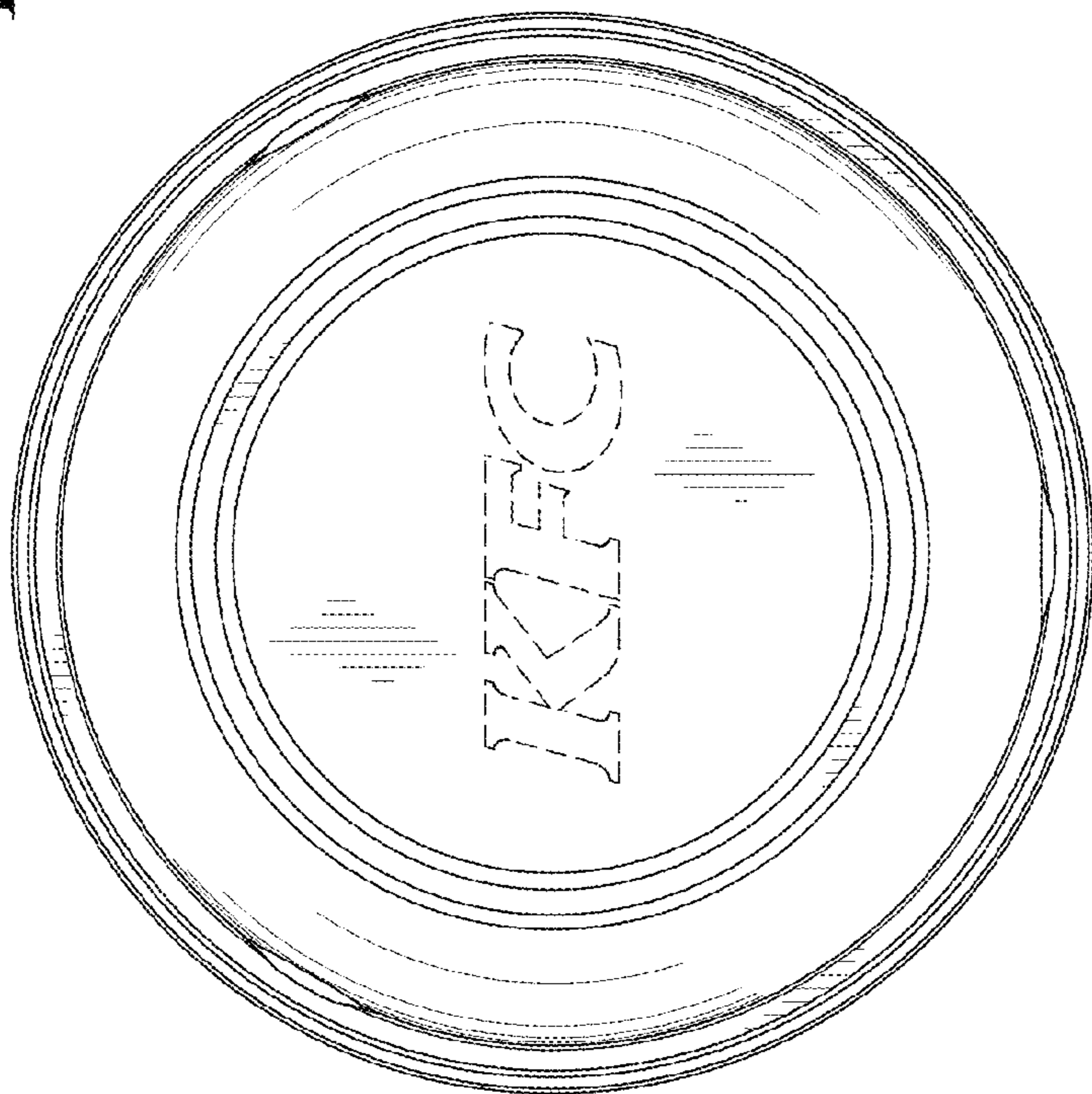


FIG. 8