



US00D737676S

(12) **United States Design Patent**
Brown et al.

(10) **Patent No.:** **US D737,676 S**
(45) **Date of Patent:** **** Sep. 1, 2015**

(54) **PACKAGE FOR CAR FLOOR MATS**

(56) **References Cited**

(71) Applicant: **Who-Rae Pty Ltd.**, South Melbourne
VIC (AU)

U.S. PATENT DOCUMENTS

(72) Inventors: **Warwick James Brown**, North
Melbourne VIC (AU); **Giles Frederick
Matthews**, Hawthorn VIC (AU); **Lorrin
Megan Windahl**, Spotswood VIC (AU);
Andrew Joseph Fanning, Northcote
VIC (AU)

1,786,923	A	12/1930	Scruby
2,855,649	A	10/1958	Kanter
3,841,478	A	10/1974	Wells et al.
3,899,078	A	8/1975	Ambrozetes et al.
3,987,958	A *	10/1976	Kamins et al. 383/15
4,190,151	A	2/1980	Russell

(Continued)

FOREIGN PATENT DOCUMENTS

(73) Assignee: **Who-Rae Pty Ltd.**, South Melbourne
(AU)

DE	1611745	A1	1/1971
FR	2653185	A1	4/1991
GB	2458576	A	9/2009

(**) Term: **14 Years**

OTHER PUBLICATIONS

(21) Appl. No.: **29/497,202**

European Patent Office, Extended European Search Report, 5 pages,
dated May 6, 2014 for European Patent Application No. 13002723.6
and corresponding to co-pending U.S. Appl. No. 13/893,603.

(22) Filed: **Jul. 22, 2014**

Primary Examiner — Holly Baynham

Assistant Examiner — Rhea Shields

(74) *Attorney, Agent, or Firm* — Fredrikson & Byron, P.A.

Related U.S. Application Data

(62) Division of application No. 29/456,923, filed on Jun. 5,
2013, now Pat. No. Des. 715,635.

(57) **CLAIM**

The ornamental design for a package for car floor mats, as
shown and described.

(30) **Foreign Application Priority Data**

DESCRIPTION

Apr. 8, 2013 (AU) 201311662
Apr. 8, 2013 (AU) 201311665

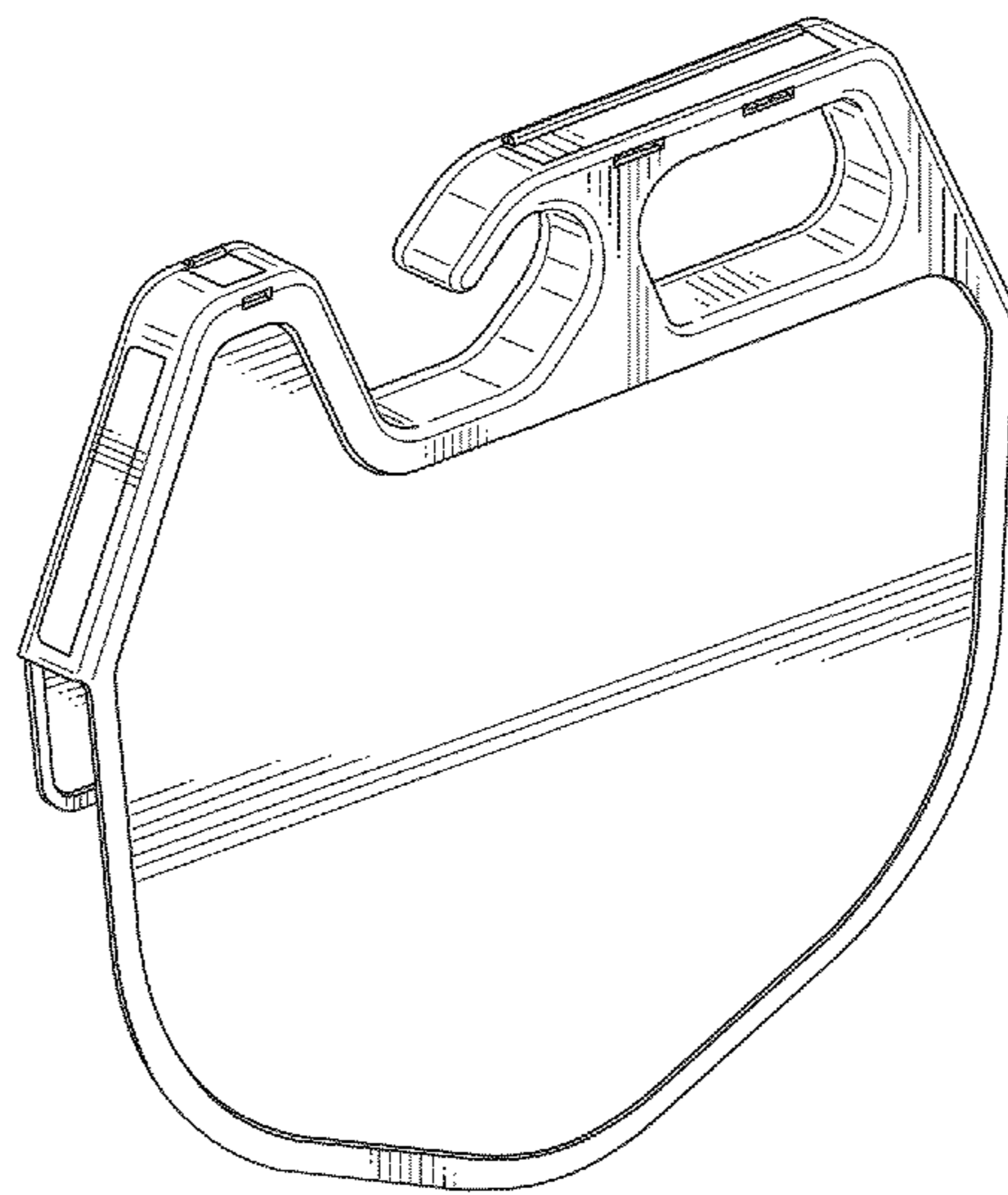
(51) **LOC (10) Cl.** **09-03**

(52) **U.S. Cl.**
USPC **D9/415**

(58) **Field of Classification Search**
USPC D9/415, 418, 305, 705, 635, 672, 675,
D9/722, 424, 443, 457, 499, 455; D20/43;
D19/26; 206/491, 527, 806, 449, 335;
248/339; 220/4.22; 383/15; 211/46, 45
See application file for complete search history.

FIG. 1 is a perspective view of our new design for a package
for car floor mats;
FIG. 2 is another perspective view thereof;
FIG. 3 is a front view thereof;
FIG. 4 is a rear view thereof;
FIG. 5 is a top view thereof;
FIG. 6 is bottom view thereof; and,
FIG. 7 is a side view thereof, the opposite side view being a
mirror image thereof.
In the drawings, the broken are for the purpose of illustrating
environment only and form no part of the claimed design.

1 Claim, 3 Drawing Sheets



(56)

References Cited

U.S. PATENT DOCUMENTS

4,856,654	A *	8/1989	Reuben	206/449	D525,661	S *	7/2006	Hussaini et al.	D20/43
D326,613	S *	6/1992	Babcock et al.	D9/455	D559,103	S *	1/2008	Van Handel et al.	D9/434
5,152,404	A *	10/1992	Salrin et al.	211/46	D584,770	S *	1/2009	Bizzell	D19/26
5,297,706	A	3/1994	Blitz		8,087,520	B2 *	1/2012	Milella et al.	211/45
D345,908	S *	4/1994	Wallach	D9/705	8,720,842	B2 *	5/2014	Huang et al.	248/339
5,595,300	A *	1/1997	Paik et al.	206/449	2007/0145085	A1	6/2007	Masanek	
D430,030	S *	8/2000	DuCorday	D9/443	2010/0089933	A1	4/2010	Branger	
						2011/0095155	A1 *	4/2011	Milella et al.	248/339
						2014/0202901	A1	7/2014	Brown	
						2014/0203015	A1	7/2014	Brown	

* cited by examiner

Fig. 1

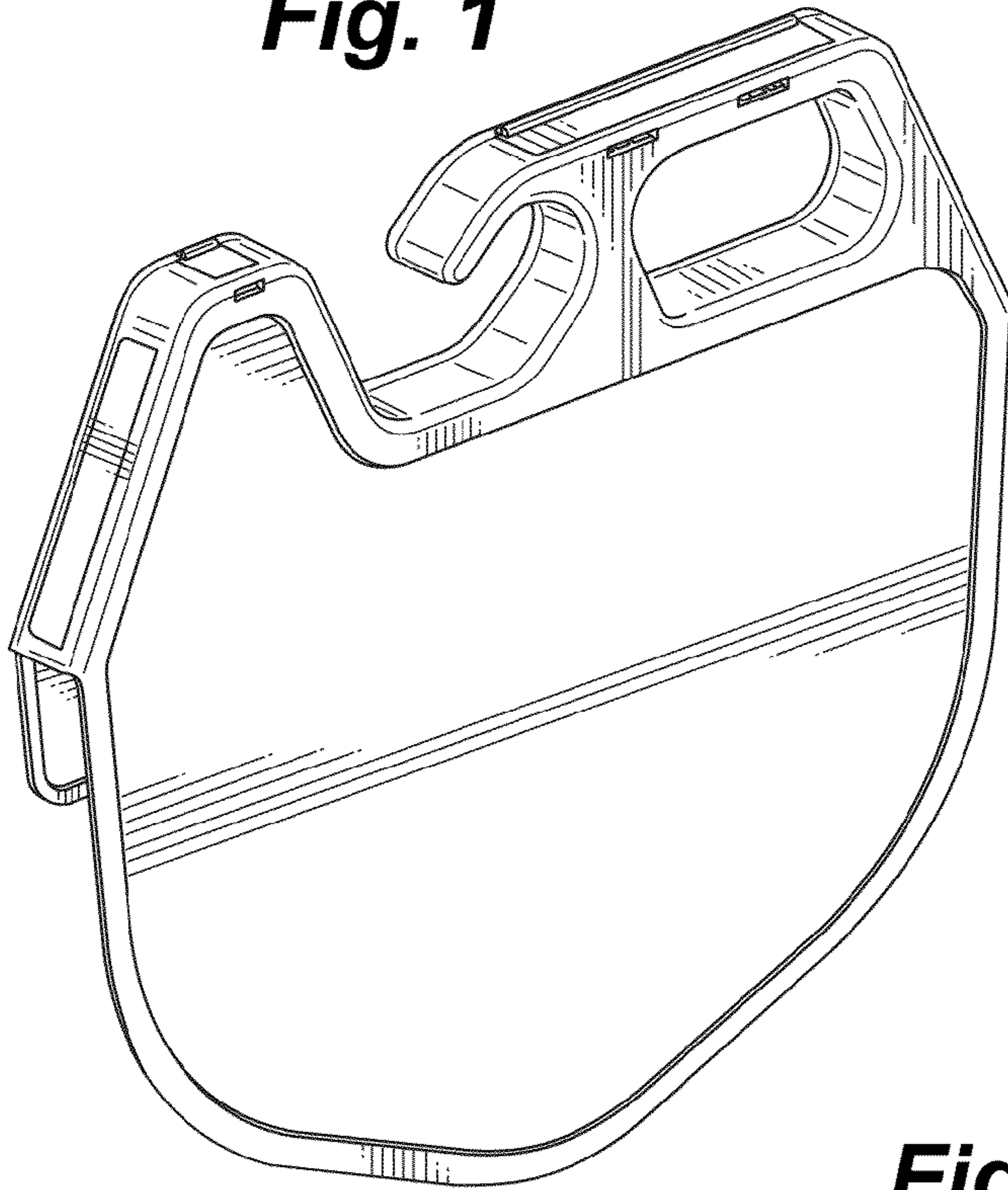


Fig. 2

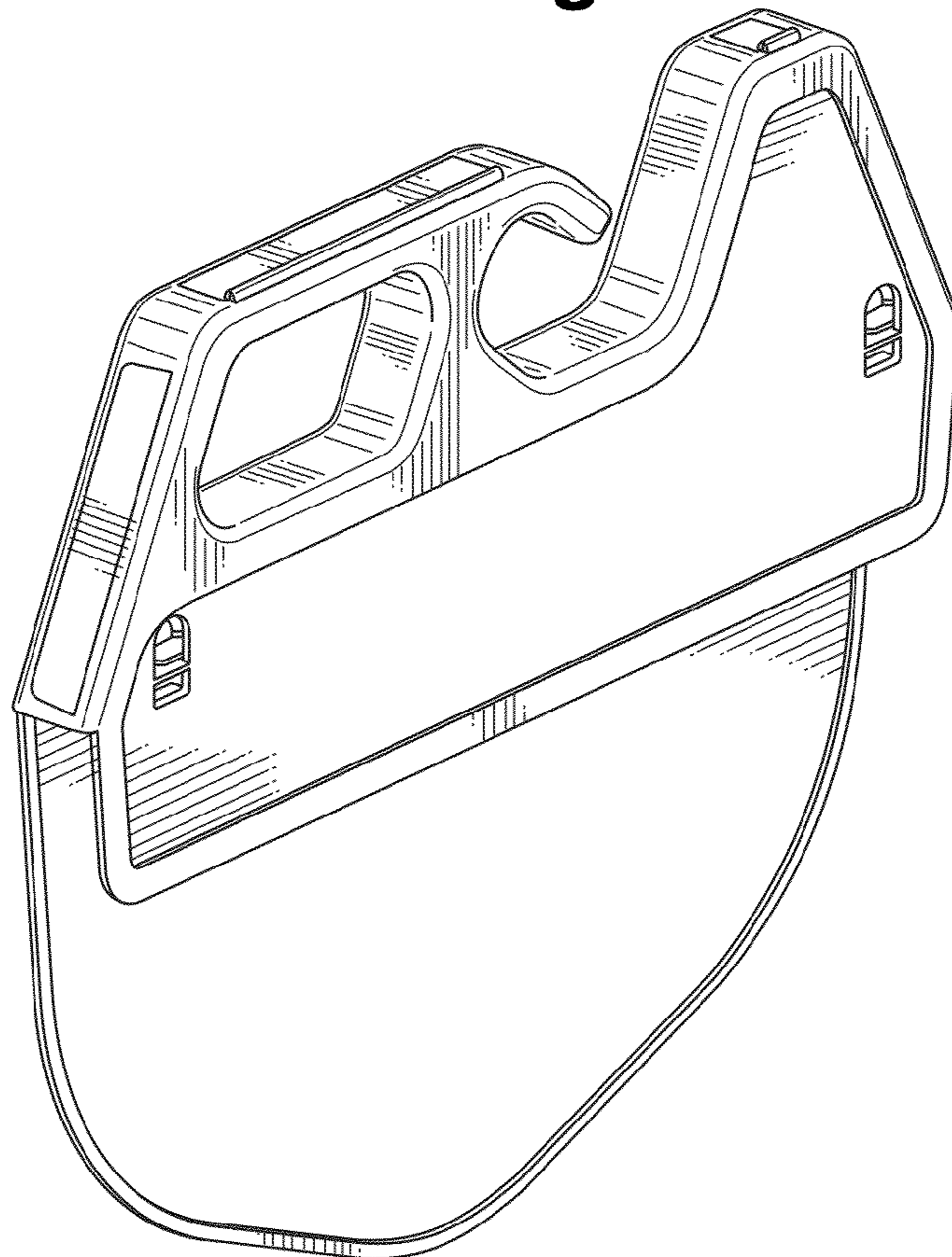


Fig. 3

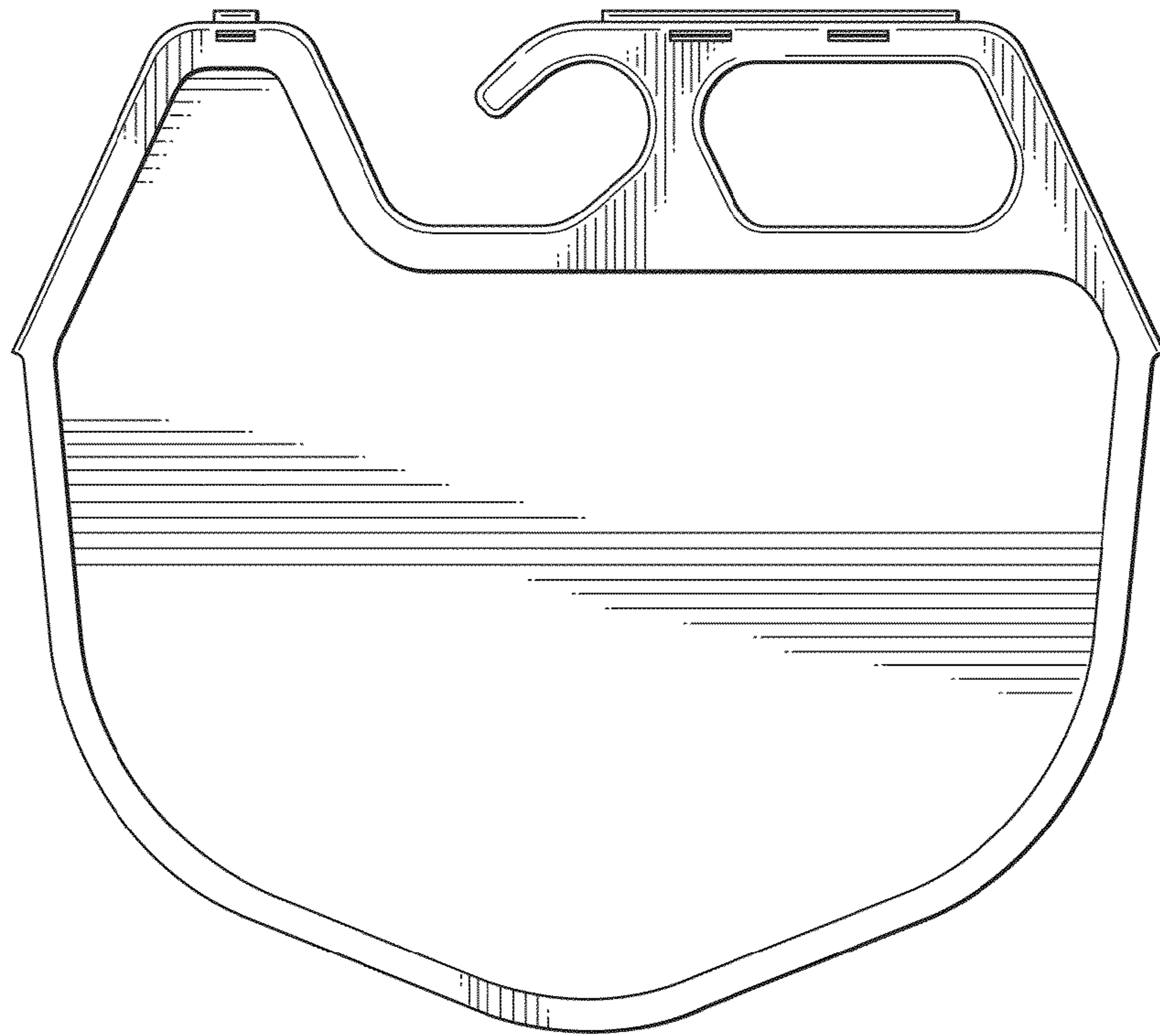


Fig. 4

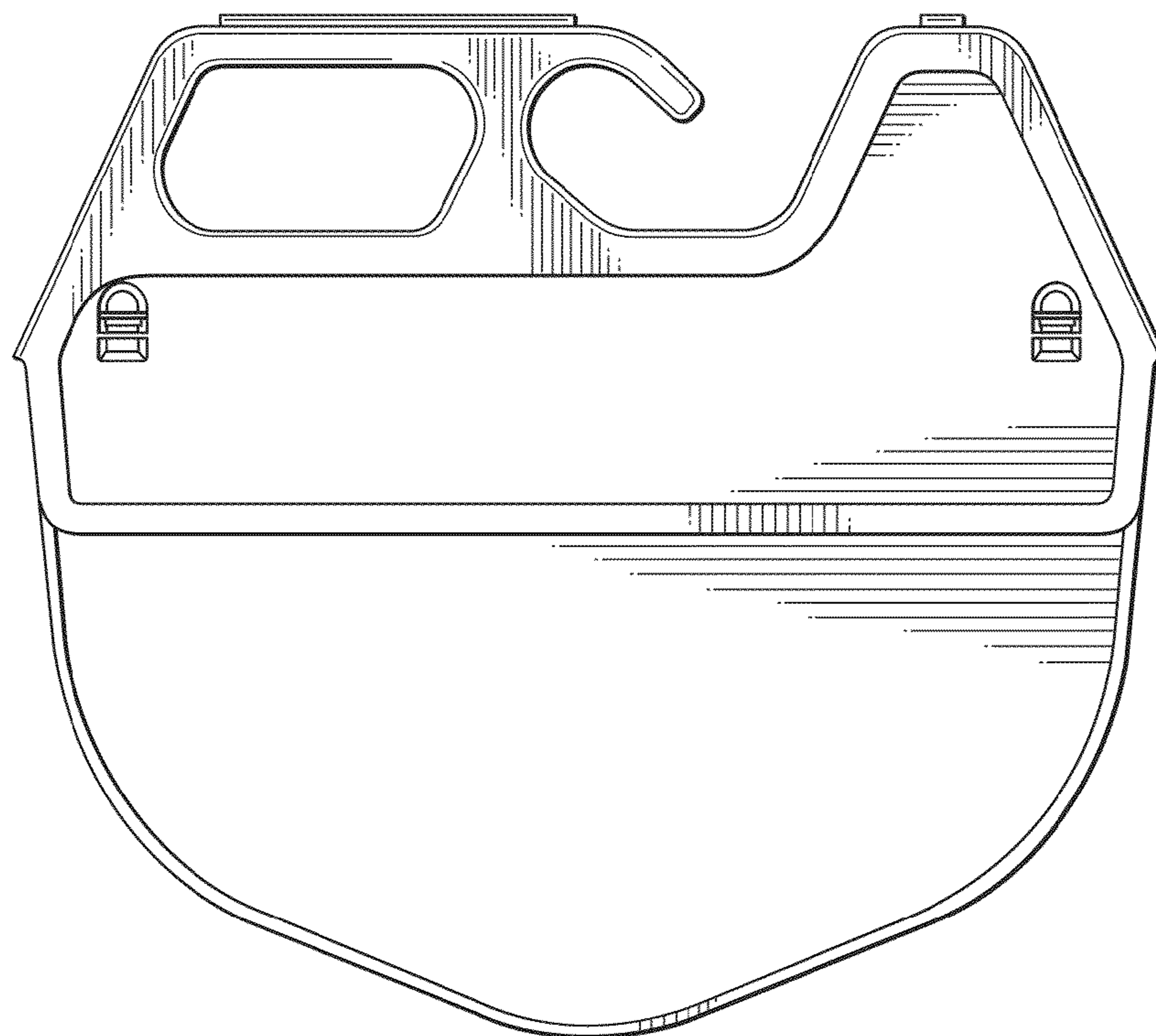


Fig. 5

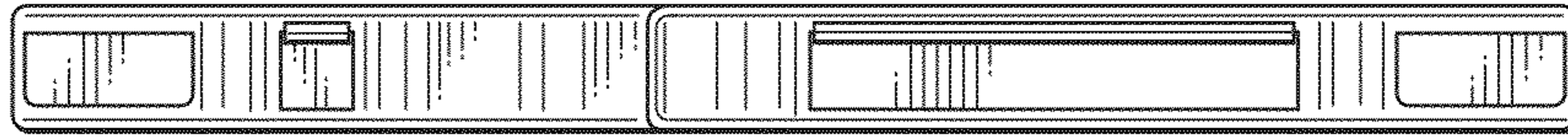


Fig. 6



Fig. 7

