



US00D737674S

(12) **United States Design Patent**
Tobaruela

(10) **Patent No.:** **US D737,674 S**

(45) **Date of Patent:** **** Sep. 1, 2015**

(54) **SCREW**

(71) Applicant: **Javier Banuls Tobaruela**, Valencia (ES)

(72) Inventor: **Javier Banuls Tobaruela**, Valencia (ES)

(**) Term: **14 Years**

(21) Appl. No.: **29/461,387**

(22) Filed: **Jul. 23, 2013**

(51) **LOC (10) Cl.** **08-08**

(52) **U.S. Cl.**
USPC **D8/387**

(58) **Field of Classification Search**
USPC D8/387, 391, 388, 386, 397, 384, 385;
411/55, 344, 107, 705, 379, 378, 393,
411/403

See application file for complete search history.

(56) **References Cited**

U.S. PATENT DOCUMENTS

3,384,141	A	*	5/1968	Kost	411/304
D360,575	S	*	7/1995	Saito	D8/387
D397,030	S	*	8/1998	Lawson	D8/387
D499,010	S	*	11/2004	Velten	D8/387

D622,582	S	*	8/2010	Lottner et al.	D8/387
D631,736	S	*	2/2011	You	D8/387
D639,152	S	*	6/2011	Watts	D8/387
D666,486	S	*	9/2012	Czipri	D8/387
D698,634	S	*	2/2014	Oetlinger	D8/387
D699,555	S	*	2/2014	Yazich	D8/387

* cited by examiner

Primary Examiner — Sheryl Lane

(74) *Attorney, Agent, or Firm* — Sturm & Fix LLP

(57) **CLAIM**

The ornamental design for a screw, as shown and described.

DESCRIPTION

FIG. 1 is a bottom right perspective view of the screw showing my new design;

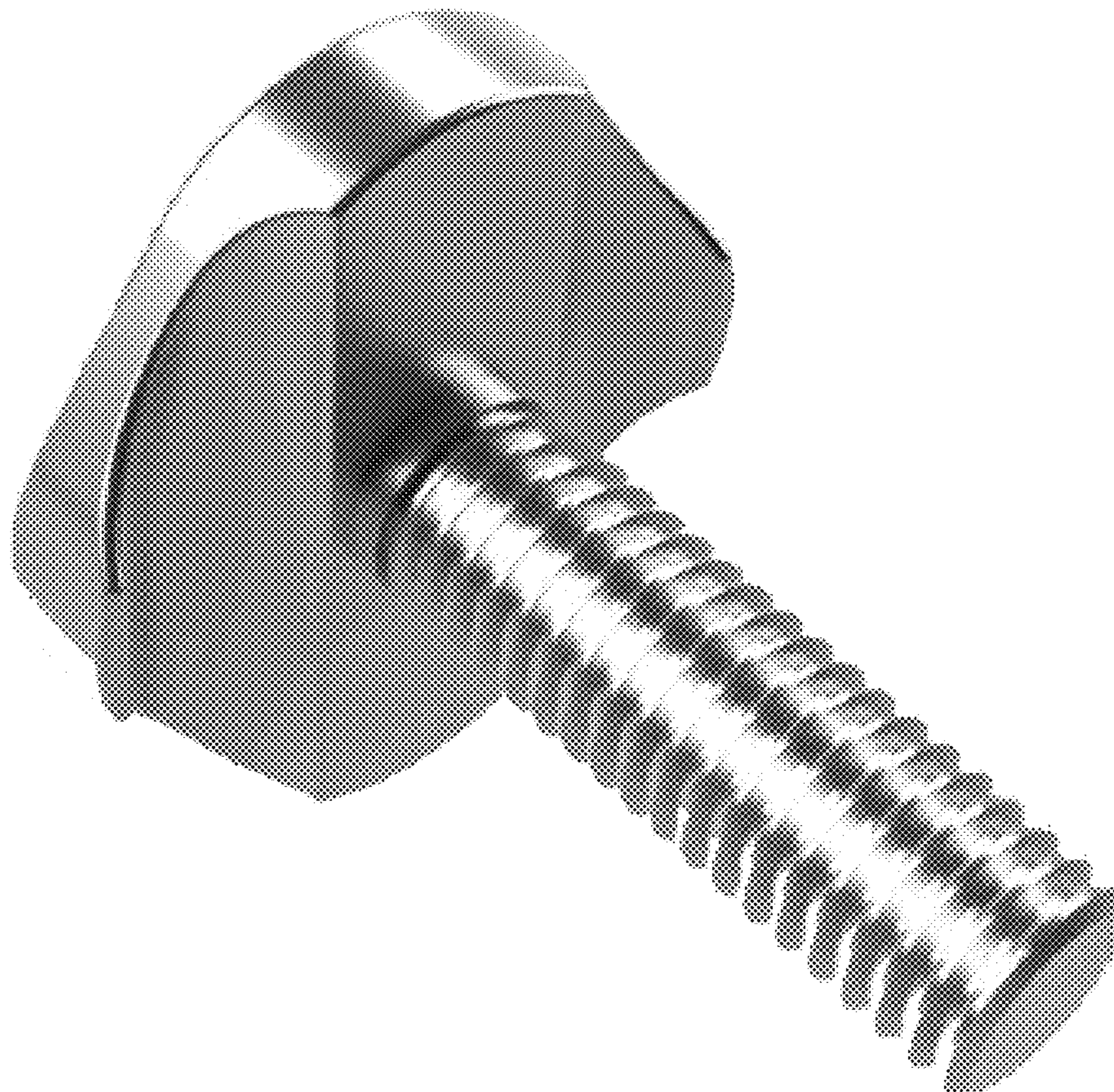
FIG. 2 is a right side elevational view of the screw, the left side being a mirror image of the side shown thereof;

FIG. 3 is a top view of the screw;

FIG. 4 is a bottom view of the screw; and,

FIG. 5 is a front side elevational view of the screw, the opposite side being a mirror image of the side shown.

1 Claim, 5 Drawing Sheets



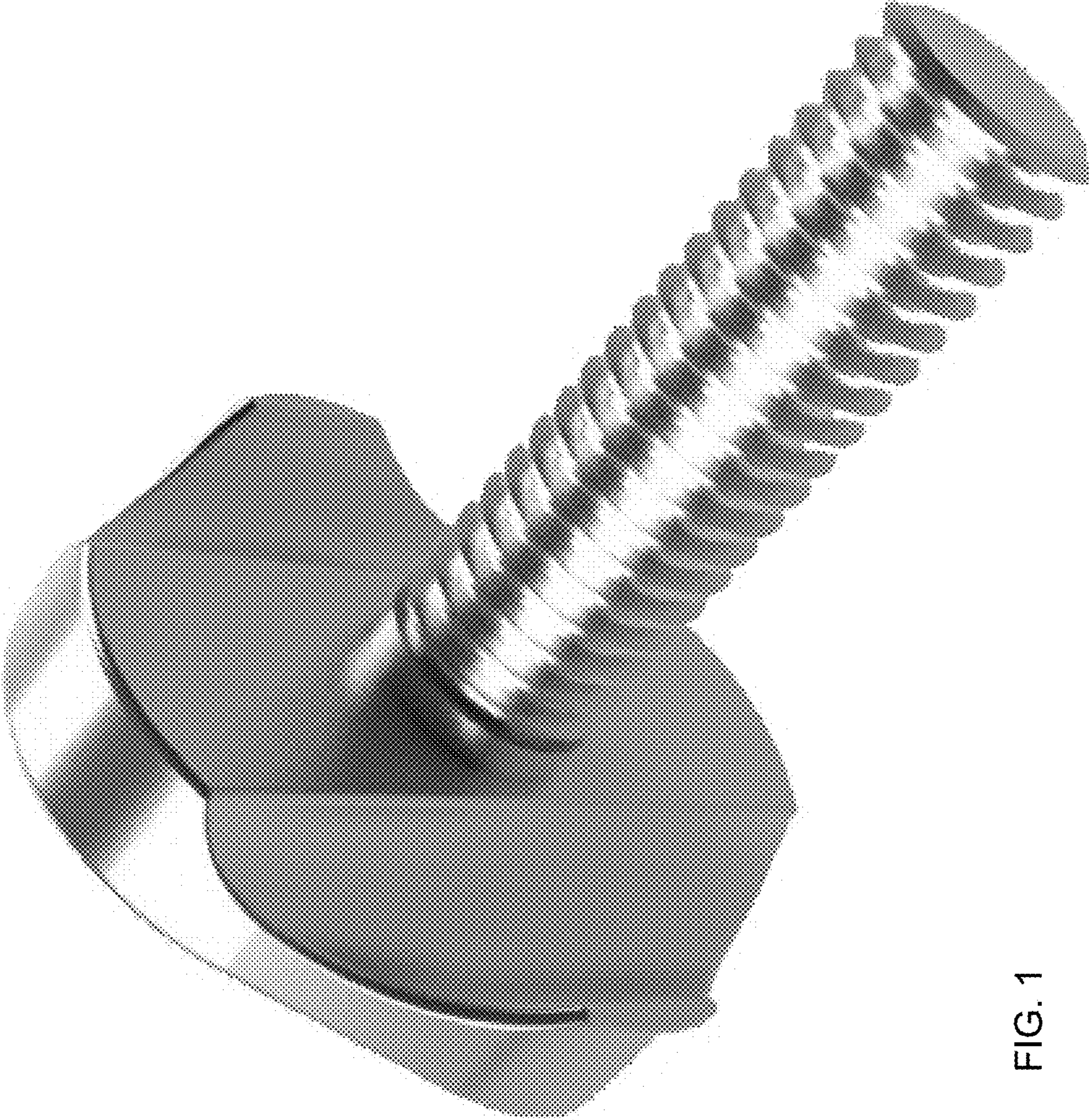


FIG. 1

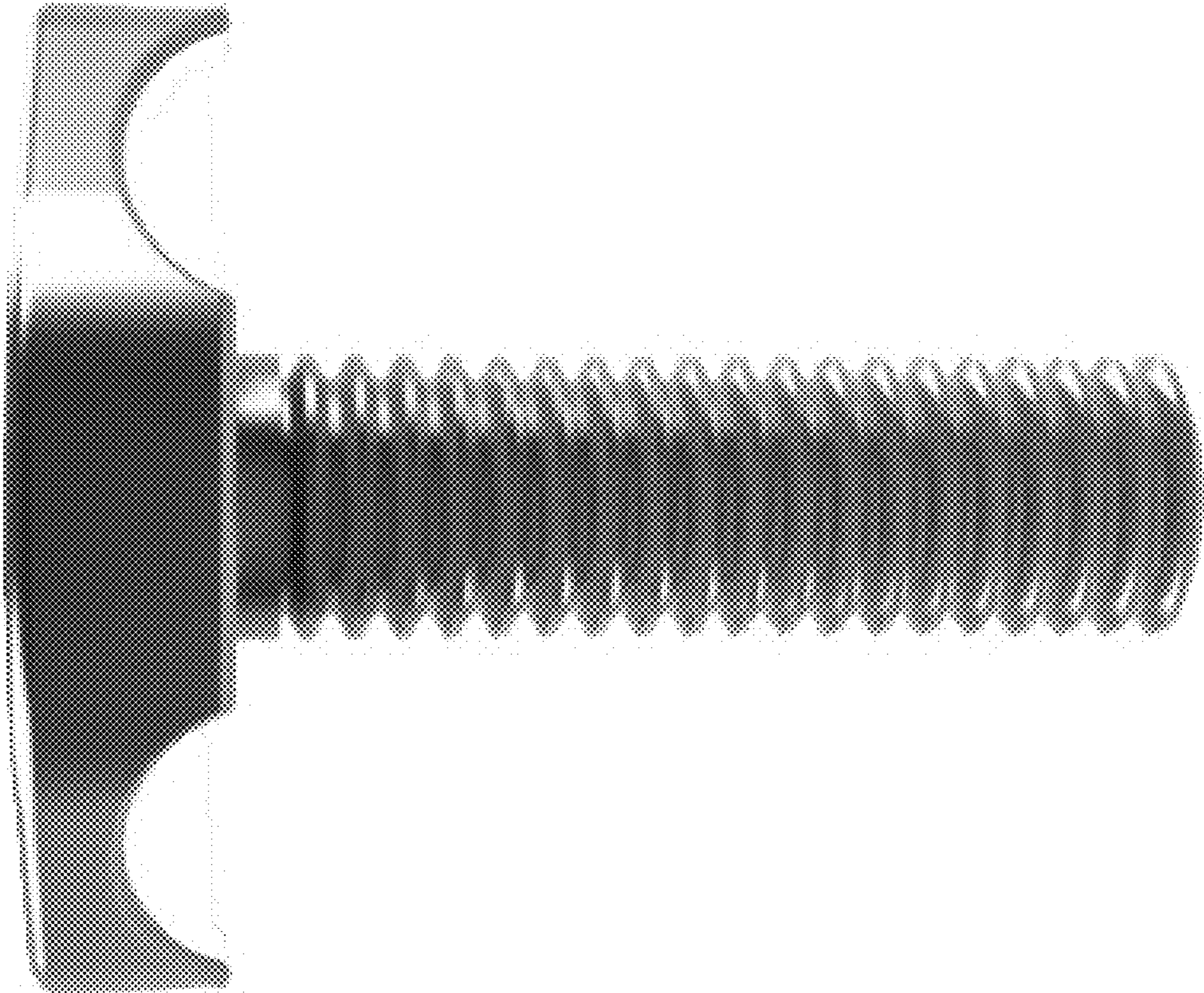


FIG. 2

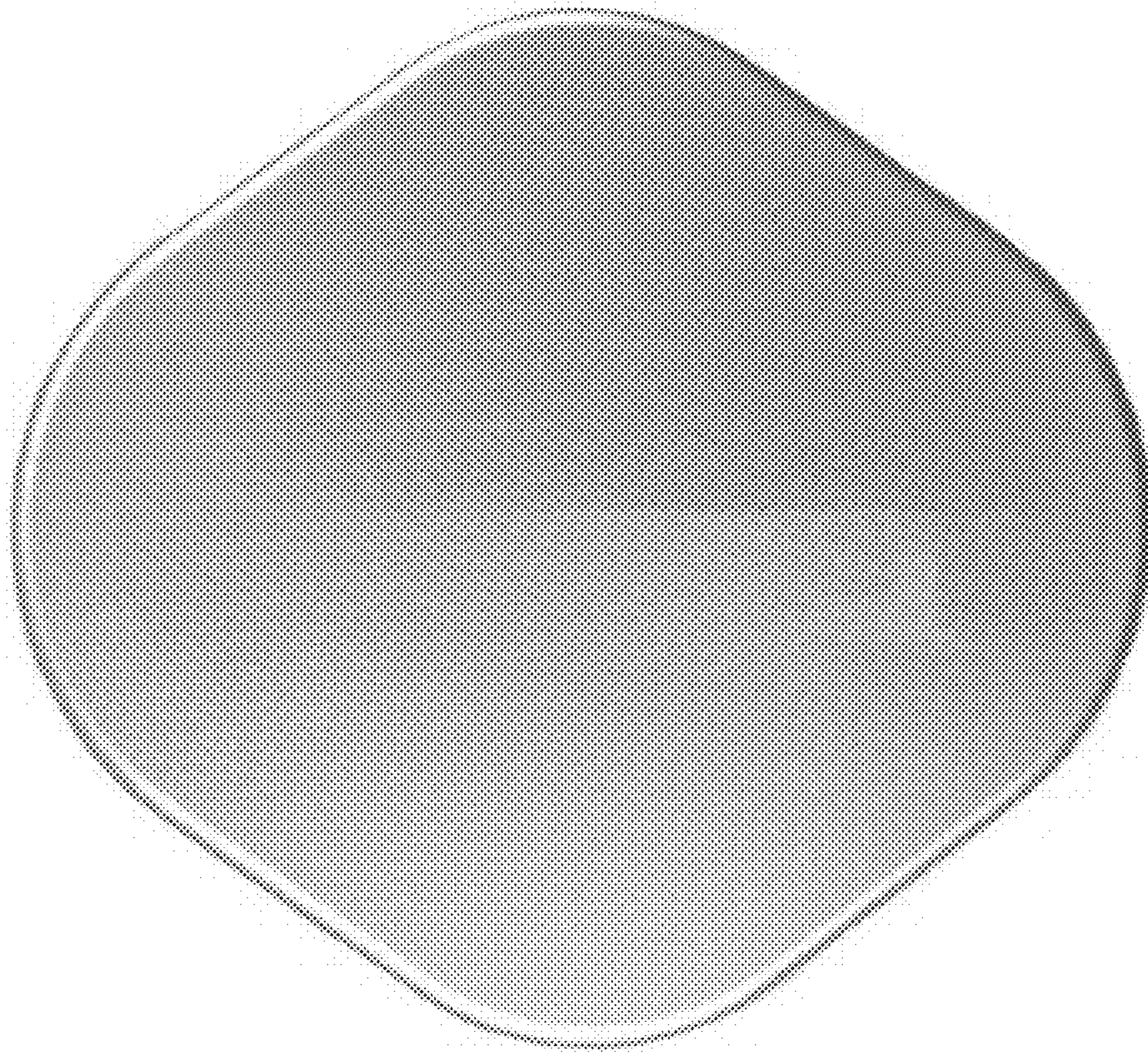


FIG. 3

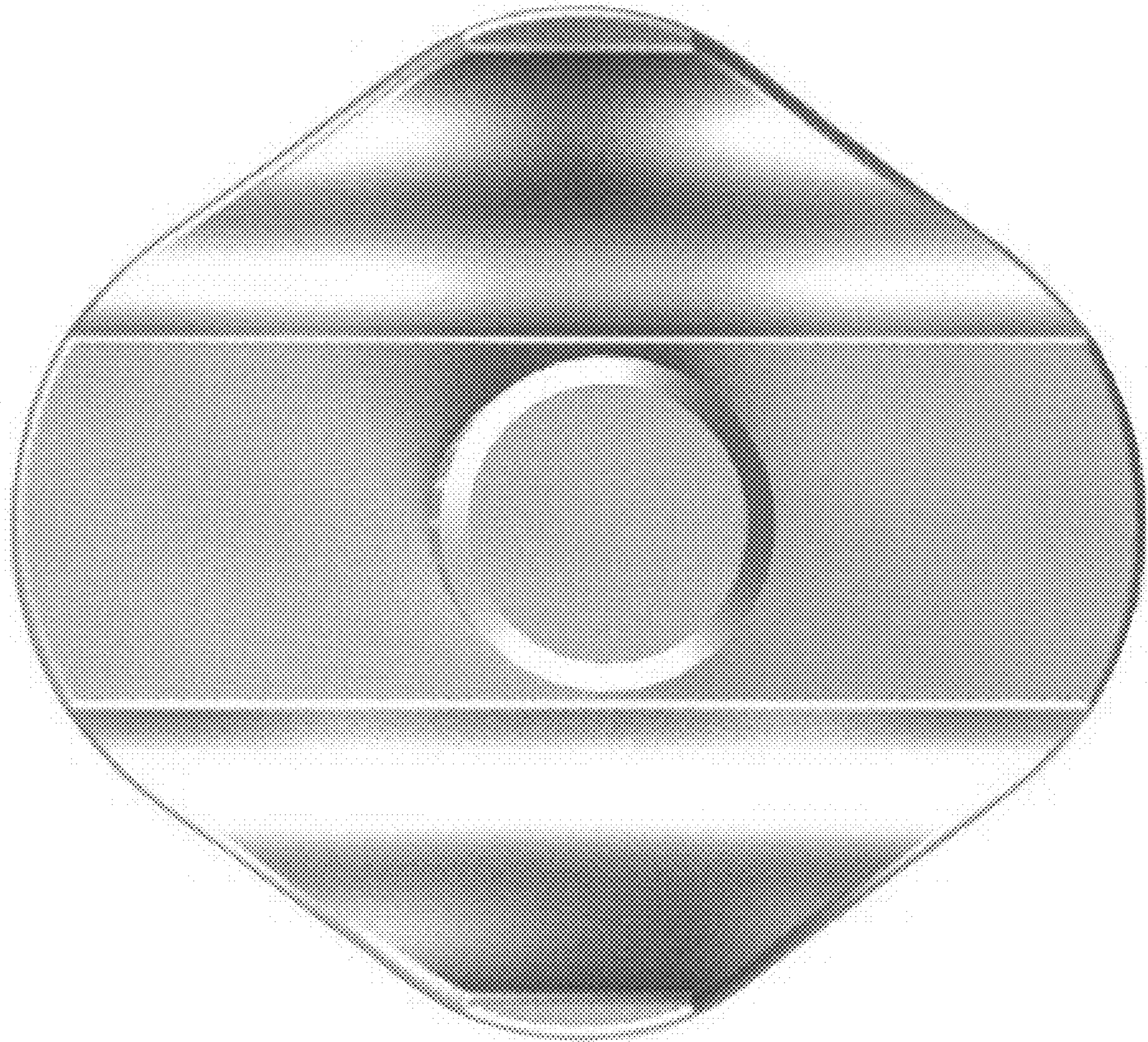


FIG. 4

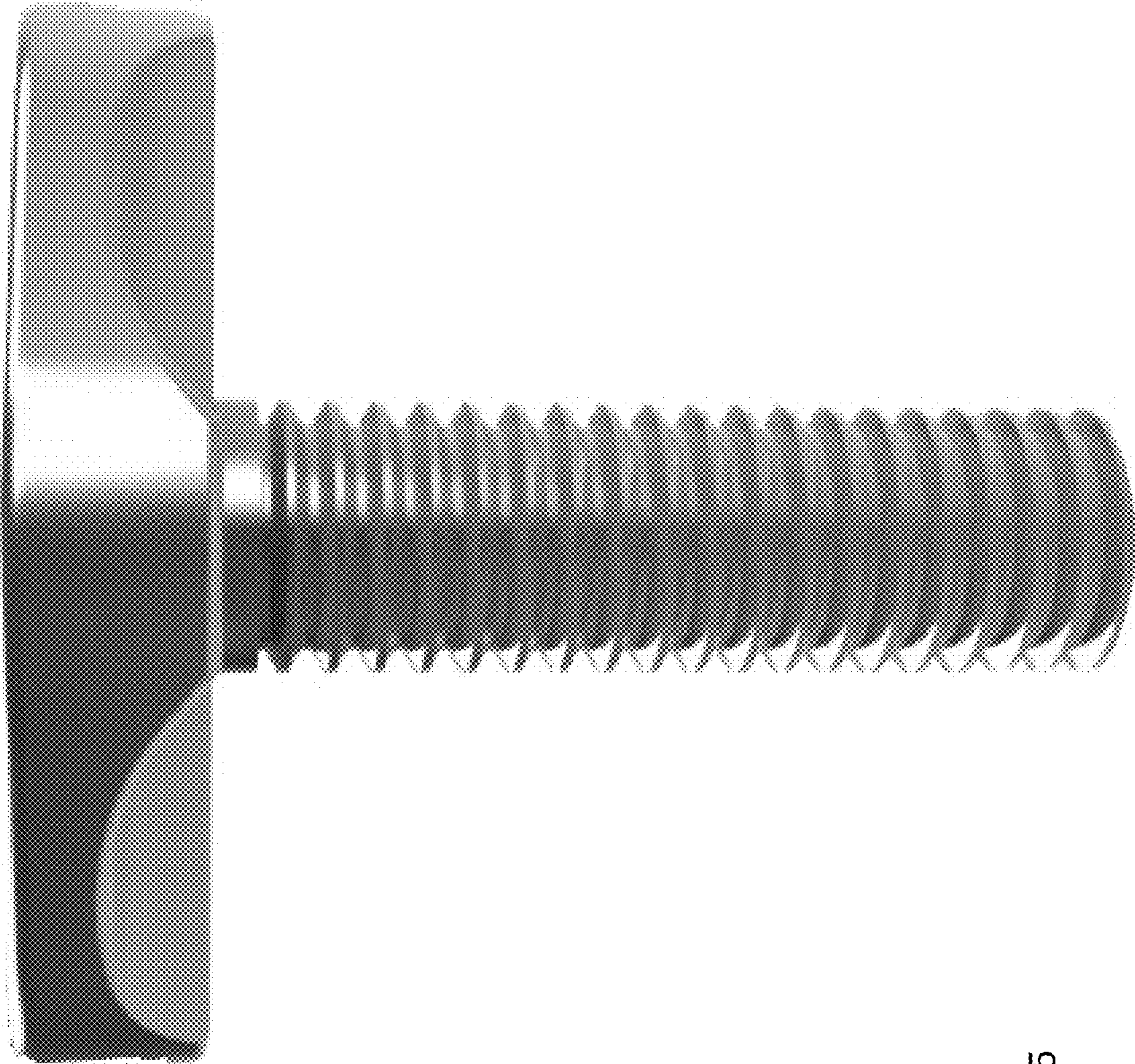


FIG. 5