



US00D737673S

(12) **United States Design Patent**
McShane

(10) **Patent No.:** **US D737,673 S**

(45) **Date of Patent:** **** *Sep. 1, 2015**

(54) **SHEET PILE CONNECTOR**

(71) Applicant: **PilePro LLC**, Creedmoor, Austin, TX
(US)

(72) Inventor: **Gerry McShane**, Bernardsville, NJ (US)

(73) Assignee: **PilePro LLC**, Austin, TX (US)

(*) Notice: This patent is subject to a terminal disclaimer.

(**) Term: **14 Years**

(21) Appl. No.: **29/493,471**

(22) Filed: **Jun. 10, 2014**

(30) **Foreign Application Priority Data**

Dec. 13, 2013 (EM) 001393391-0002

(51) **LOC (10) Cl.** **08-08**

(52) **U.S. Cl.**
USPC **D8/382**

(58) **Field of Classification Search**
USPC D8/382, 394-395; D25/121, 119, 61;
405/274, 277, 278-279; 24/370, 346,
24/573.09

See application file for complete search history.

(56) **References Cited**

U.S. PATENT DOCUMENTS

D471,793 S * 3/2003 Wall D8/382
D471,794 S * 3/2003 Wall D8/382

D527,619 S * 9/2006 Heindl et al. D8/382
D530,190 S * 10/2006 Wall D8/382
D542,633 S * 5/2007 Heindl D8/382
D543,841 S * 6/2007 Heindl et al. D8/382
D640,533 S * 6/2011 Austro D8/382
7,955,029 B2 * 6/2011 Heindl 405/274
D649,443 S * 11/2011 Heindl D8/382
8,066,453 B2 * 11/2011 Heindl 405/274

FOREIGN PATENT DOCUMENTS

JP 1365137 7/2009

* cited by examiner

Primary Examiner — Sheryl Lane

(74) *Attorney, Agent, or Firm* — Merchant & Gould P.C.

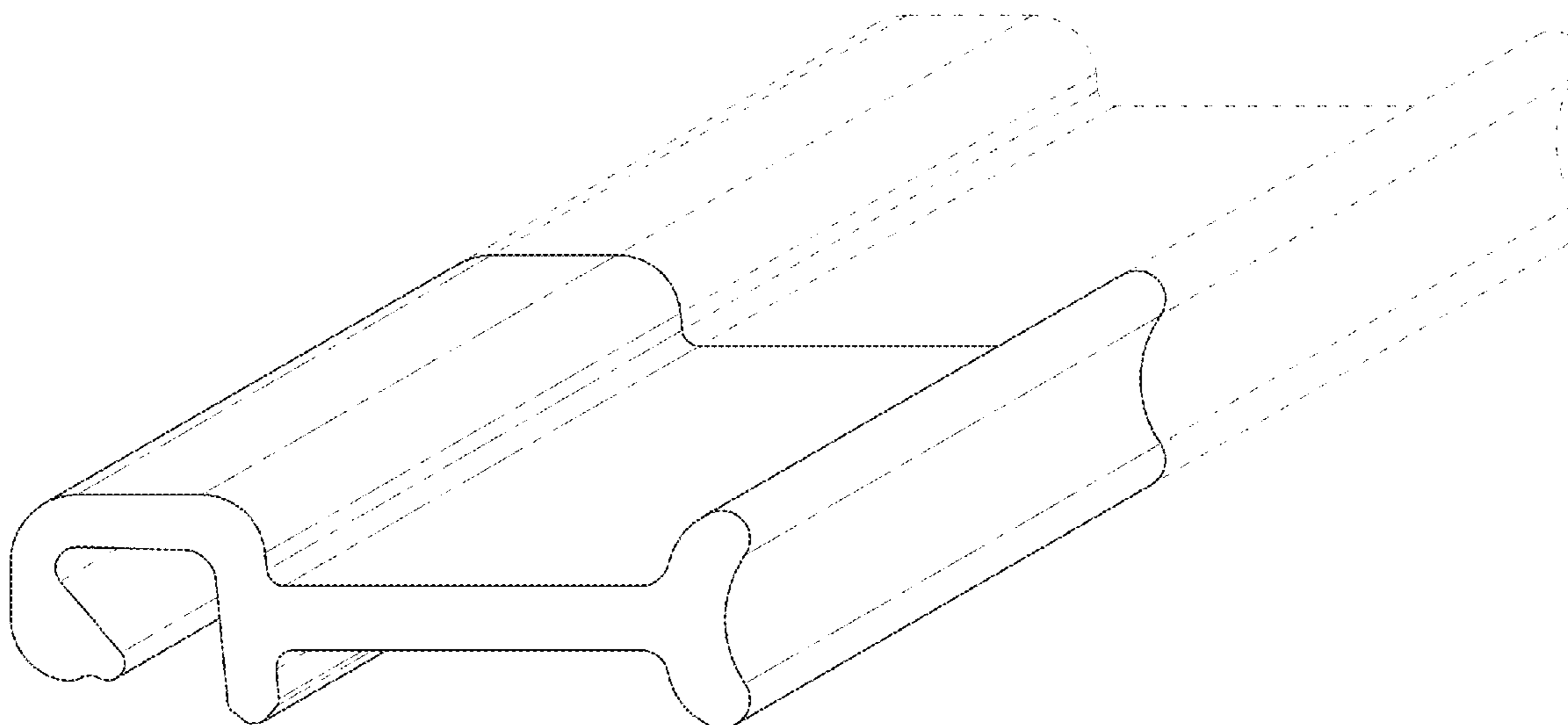
(57) **CLAIM**

The ornamental design for a sheet pile connector, as shown and described.

DESCRIPTION

FIG. 1 is a perspective view of the sheet pile connector for connecting sheet piles according to my design; FIG. 2 is an end view of the sheet pile connector of FIG. 1, the opposite end view being a mirror image thereof; FIG. 3 is a right side view of the sheet pile connector of FIG. 1; FIG. 4 is a left side view of the sheet pile connector of FIG. 1; FIG. 5 is a top view of the sheet pile connector of FIG. 1; and, FIG. 6 is a bottom view of the sheet pile connector of FIG. 1. The broken lines represent environment and form no part of the claimed design.

1 Claim, 6 Drawing Sheets



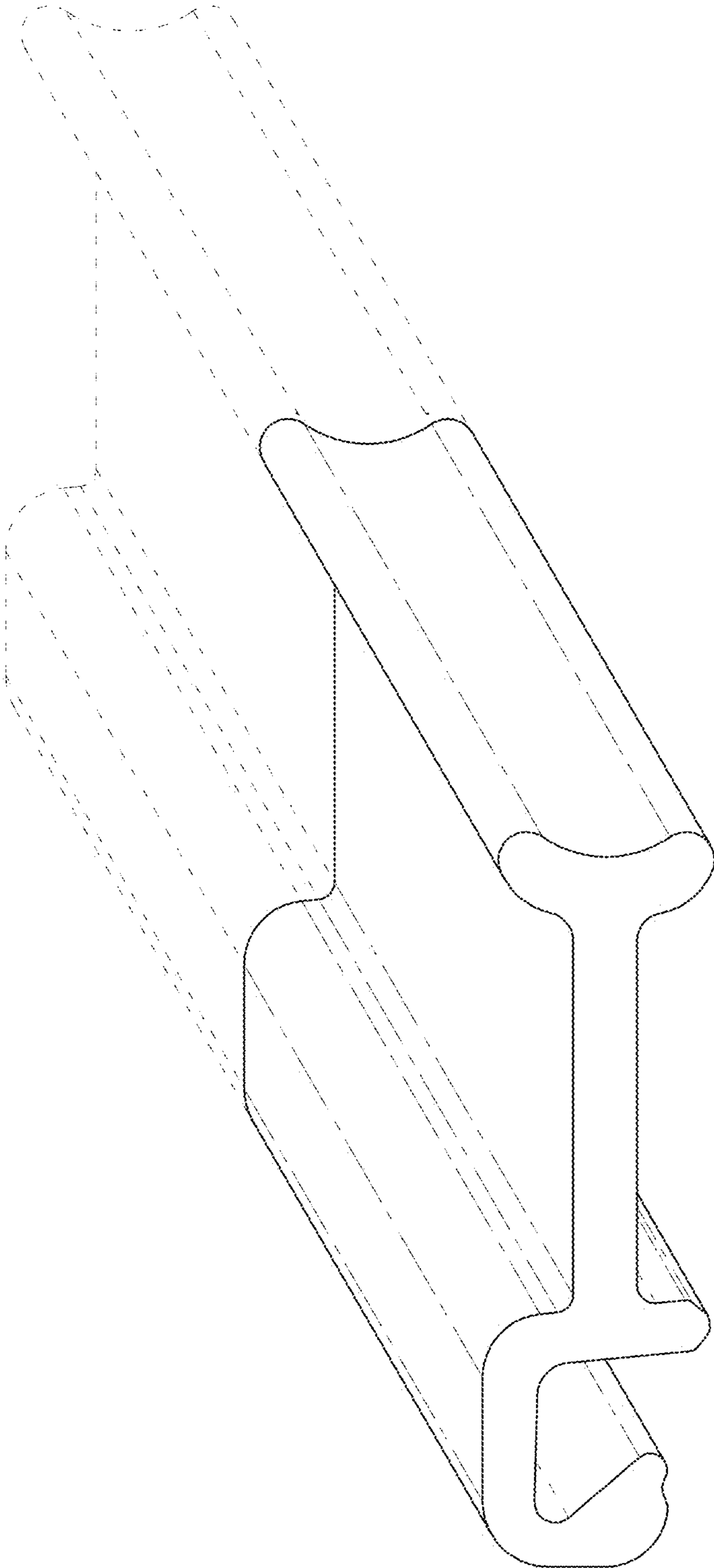


FIG. 1

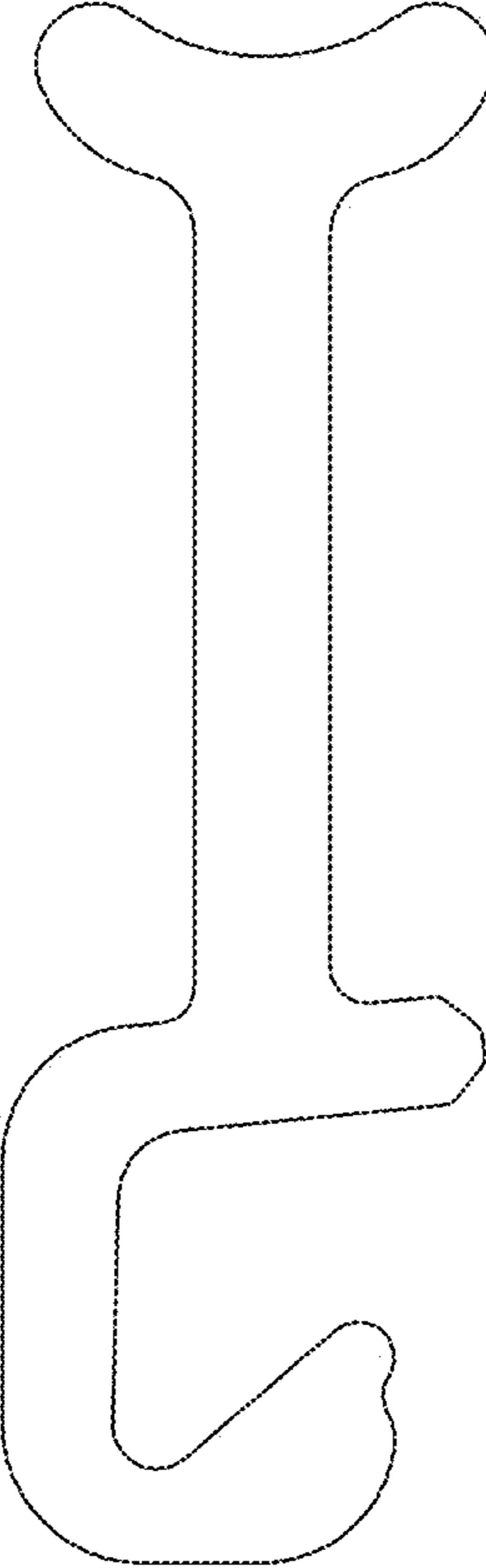
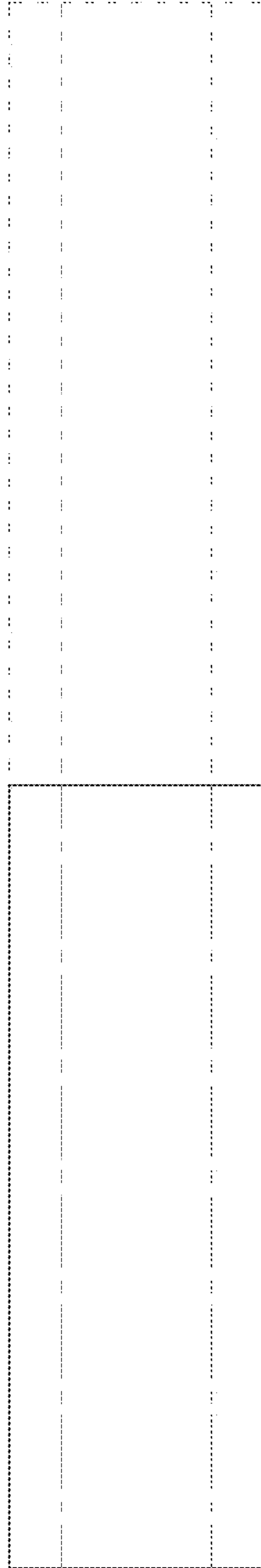


FIG. 2

FIG. 3



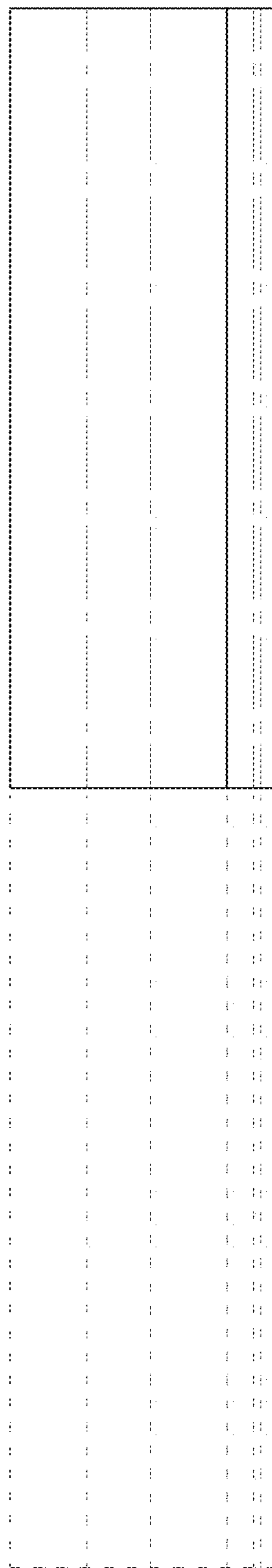


FIG. 4

FIG. 5

