



US00D737672S

(12) **United States Design Patent**
Eddowes

(10) **Patent No.:** **US D737,672 S**
(45) **Date of Patent:** **** Sep. 1, 2015**

(54) **BRACKET**

(71) Applicant: **DELTA SHELVING SYSTEMS PTY LTD**, Milperra, New South Wales (AU)

(72) Inventor: **Stephen Eddowes**, Milperra (AU)

(73) Assignee: **DELTA SHELVING SYSTEMS PTY LTD**, Milperra, New South Wales (AU)

(**) Term: **14 Years**

(21) Appl. No.: **29/467,733**

(22) Filed: **Sep. 23, 2013**

(30) **Foreign Application Priority Data**

Aug. 16, 2013 (AU) 14047/2013

(51) **LOC (10) Cl.** **08-05**

(52) **U.S. Cl.**
USPC **D8/381**

(58) **Field of Classification Search**
USPC D8/349, 354–356, 363–367, 370–373,
D8/380, 382, 384, 381; D25/199; 248/215,
248/465.1, 112, 153, 175, 218.1, 218.2,
248/302, 303
CPC A47B 96/06; A47B 96/062; A47B 96/063;
A47B 96/066; A47B 96/067; A47B 96/068
See application file for complete search history.

(56) **References Cited**

U.S. PATENT DOCUMENTS

3,218,016 A * 11/1965 Koreska 248/243
D206,241 S * 11/1966 Bard D25/132
4,098,481 A * 7/1978 Johnson et al. 248/243
4,263,718 A * 4/1981 Smith 33/265

D268,093 S * 3/1983 Wenczl et al. D8/381
4,387,872 A * 6/1983 Hogue 248/221.11
D286,495 S * 11/1986 Blomdahl D8/373
4,924,355 A * 5/1990 Mitchell et al. 361/679.32
D323,452 S * 1/1992 Stumpf et al. D8/381
D374,165 S * 10/1996 Marshall D8/354
D407,011 S * 3/1999 Boije D8/381
D451,004 S * 11/2001 Lewis D8/380
6,436,357 B1 * 8/2002 Frieze et al. 422/300
D513,970 S * 1/2006 Sterling et al. D8/381
D550,070 S * 9/2007 Lucht D8/381
D574,222 S * 8/2008 Golias et al. D8/349
D587,562 S * 3/2009 Fernandez D8/381
D606,384 S * 12/2009 Antonic D8/354
D620,673 S * 7/2010 Giampavolo et al. D34/38
8,646,624 B2 * 2/2014 Fernandez et al. 211/90.02
2008/0290751 A1 * 11/2008 Hwang et al. 310/156.01
2012/0228300 A1 * 9/2012 Wertman 220/476

* cited by examiner

Primary Examiner — Elizabeth Albert

(74) *Attorney, Agent, or Firm* — Michael J. Striker

(57) **CLAIM**

The ornamental design for a bracket, as shown and described.

DESCRIPTION

FIG. 1 is a top plan view of a bracket showing my new design;
FIG. 2 is a rear view thereof;
FIG. 3 is a right side view thereof;
FIG. 4 is a bottom view thereof;
FIG. 5 is a front view thereof;
FIG. 6 is a left side view thereof; and,
FIG. 7 is a perspective view thereof.
The portion of the bracket in broken lines is included for the purpose of showing a part that forms no part of the claimed design.

1 Claim, 4 Drawing Sheets

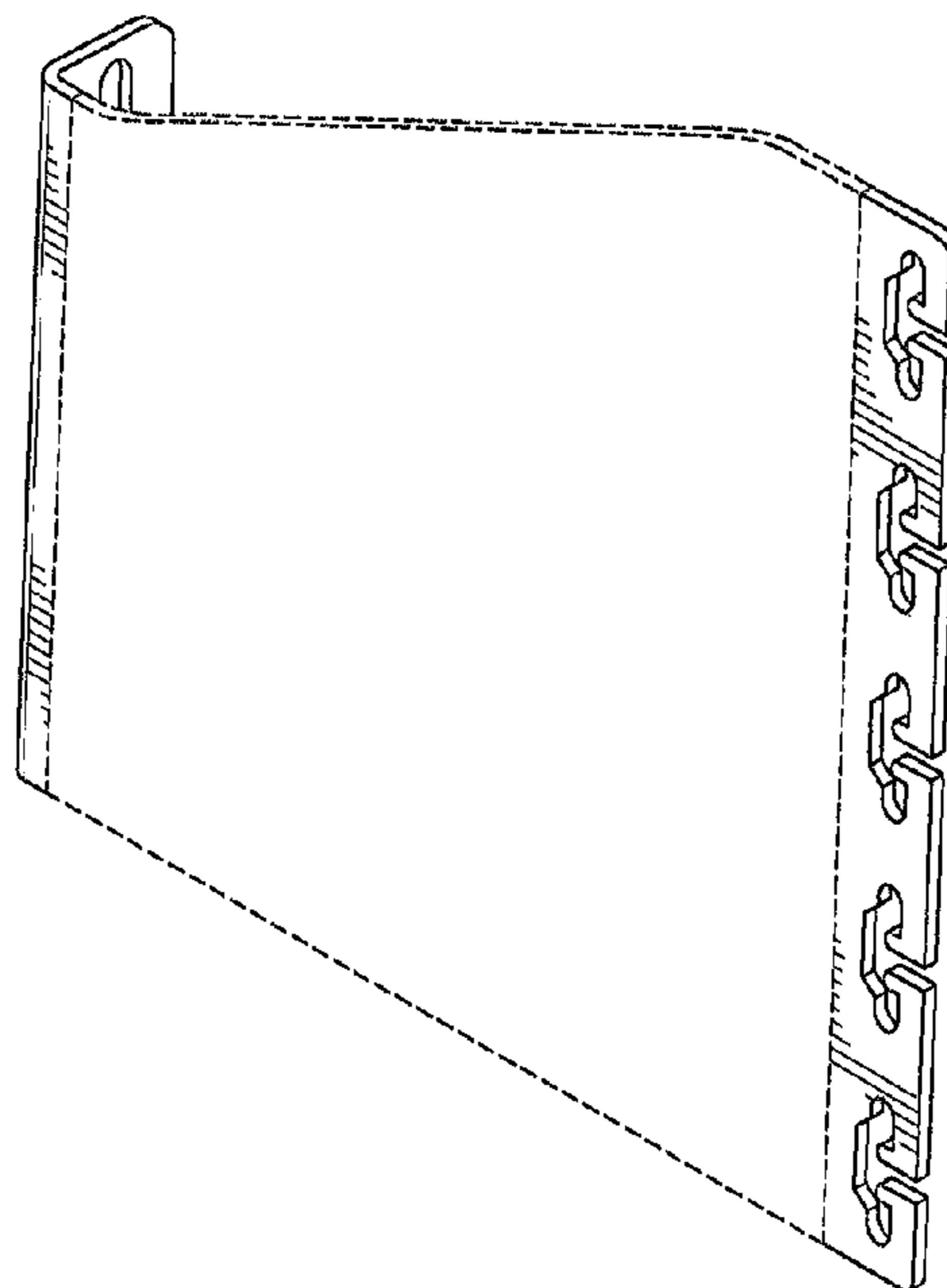




FIG. 1



FIG. 2

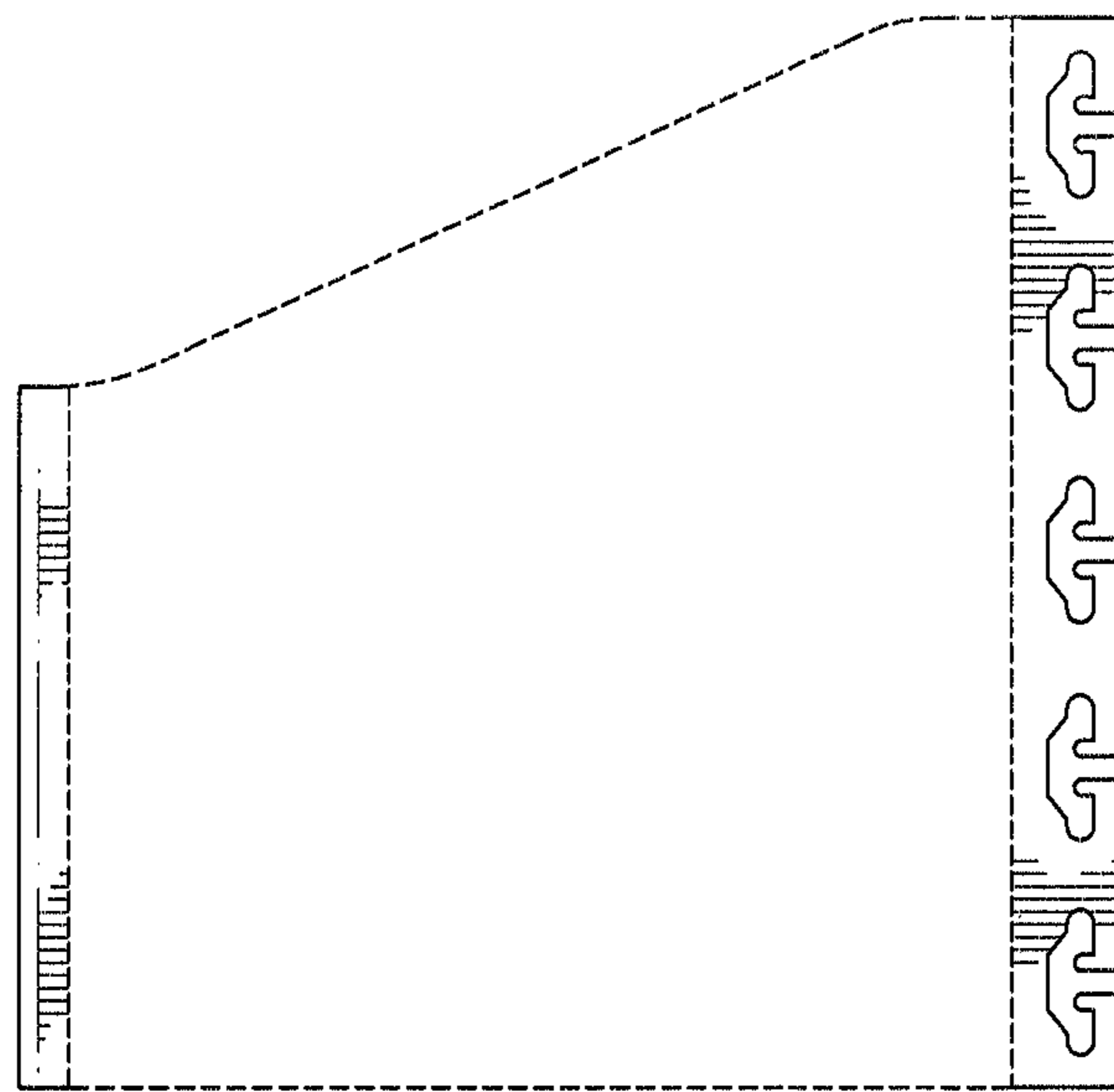


FIG. 3

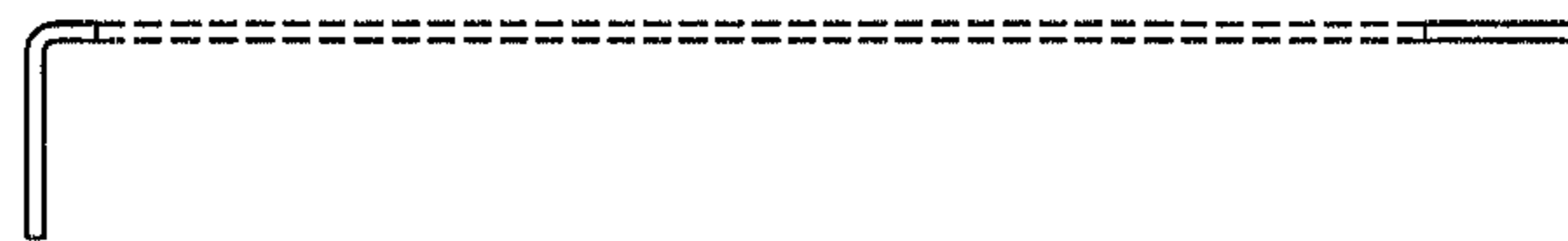


FIG. 4

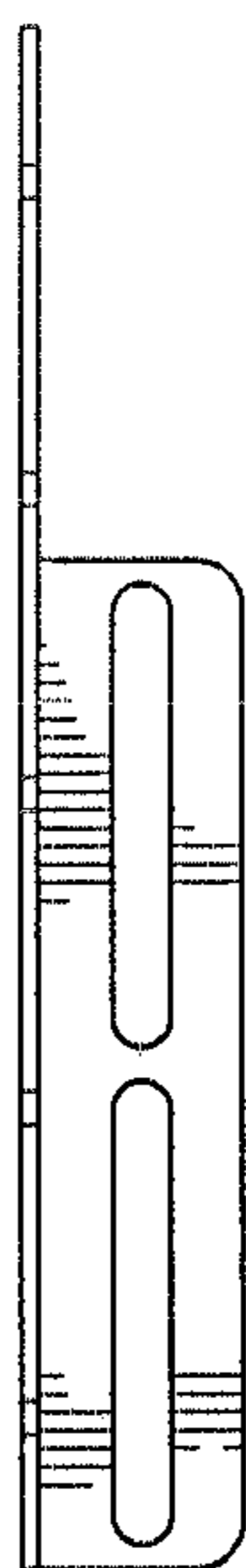


FIG. 5

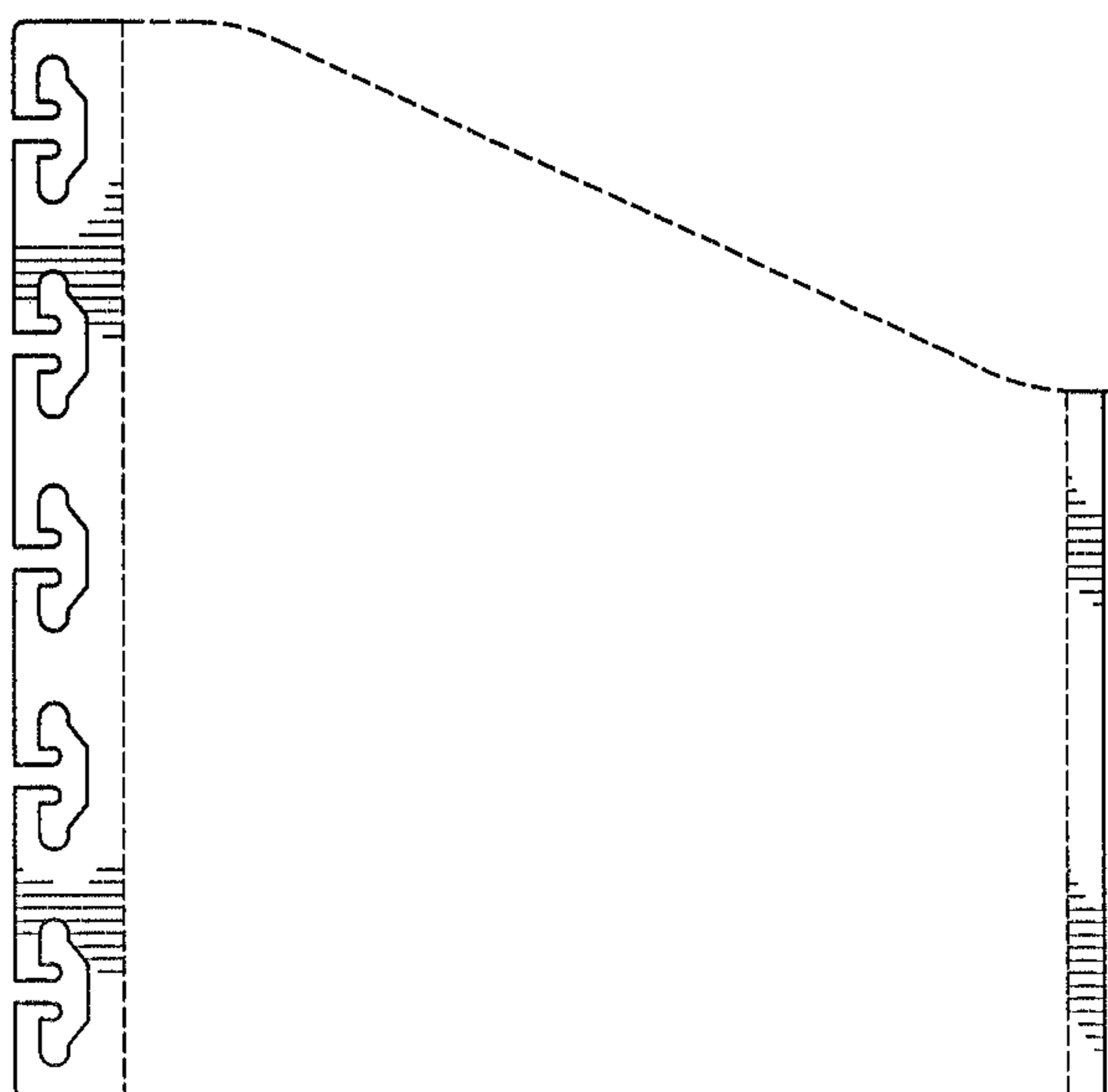


FIG. 6

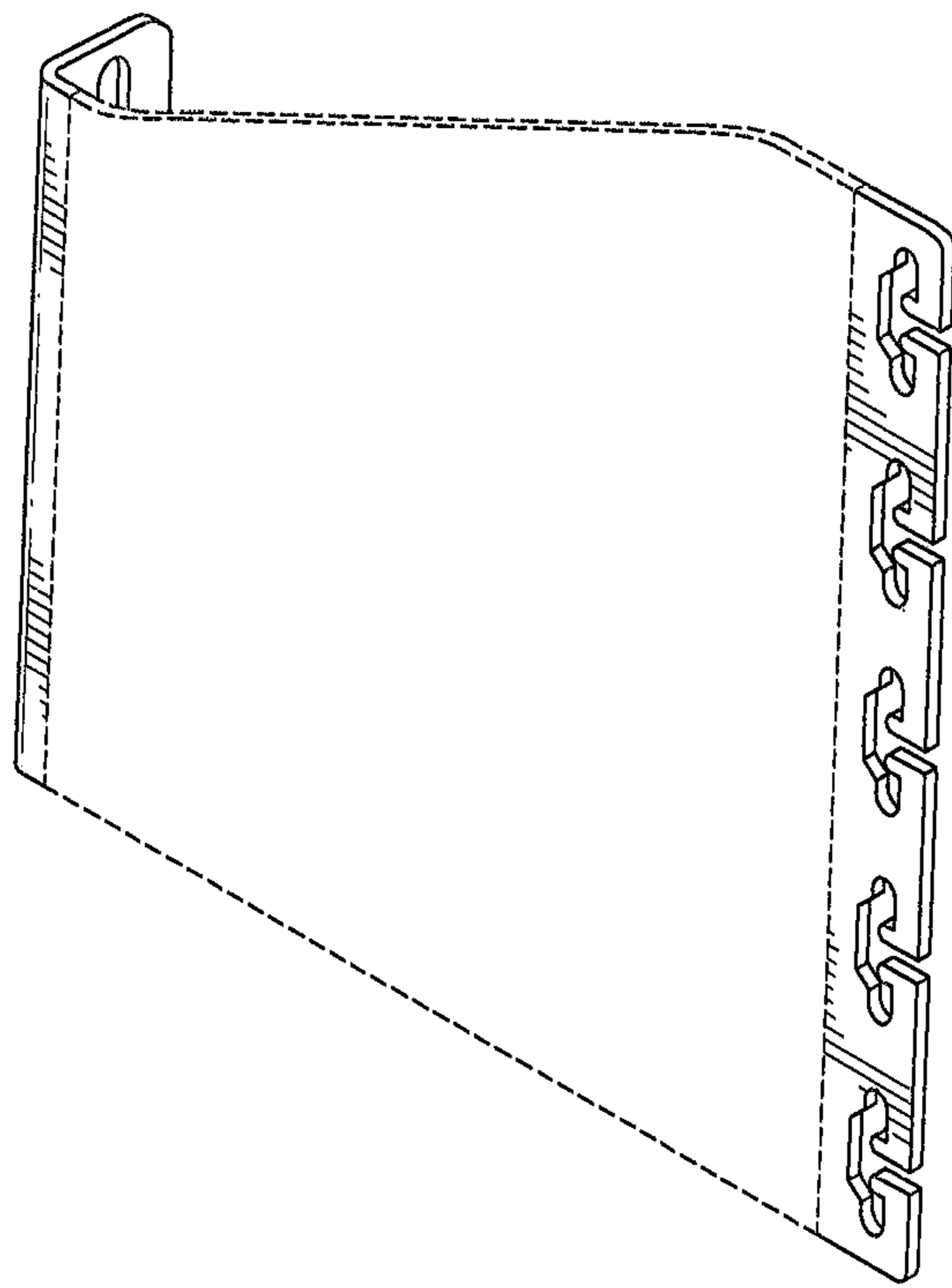


FIG. 7