



US00D737670S

(12) **United States Design Patent**  
**Beyerle et al.**

(10) **Patent No.:** **US D737,670 S**

(45) **Date of Patent:** **\*\* Sep. 1, 2015**

(54) **DEVICE FOR CONNECTING A DECK  
LEDGER BOARD TO A BUILDING THROUGH  
A BRICK VENEERED WALL**

(71) Applicants: **David T. Beyerle**, Dayton, OH (US);  
**Terry J. Tincher**, Oregonia, OH (US)

(72) Inventors: **David T. Beyerle**, Dayton, OH (US);  
**Terry J. Tincher**, Oregonia, OH (US)

(\*\*) Term: **14 Years**

(21) Appl. No.: **29/459,217**

(22) Filed: **Jun. 27, 2013**

(51) **LOC (10) Cl.** ..... **08-05**

(52) **U.S. Cl.**  
USPC ..... **D8/373**

(58) **Field of Classification Search**  
USPC ..... D8/383, 374, 300, 303, 313, 314, 394,  
D8/396, 380, 373, 395, 363, 381, 44, 19,  
D8/352, 370, 308, 372, 376, 384;  
D13/133; D19/1; D22/108; D26/87;  
D9/686, 687; D23/238; D6/300  
CPC ..... E04B 5/12; E04B 2001/2644; E04B  
2001/829; E04B 2/7457; E04B 7/045; E04F  
11/1812; E04C 3/28; E05C 17/50

See application file for complete search history.

(56) **References Cited**

U.S. PATENT DOCUMENTS

D337,513 S \* 7/1993 Soloway et al. .... D8/373  
D353,277 S \* 12/1994 Irvin ..... D6/410  
D358,982 S \* 6/1995 Bosgoed ..... D8/376  
D598,734 S \* 8/2009 Miranda et al. .... D8/363

\* cited by examiner

*Primary Examiner* — Robert M Spear

*Assistant Examiner* — Eliza Bennett-Hattan

(74) *Attorney, Agent, or Firm* — Jacox, Meckstroth &  
Jenkins

(57) **CLAIM**

The ornamental design of a device for connecting a deck  
ledger board to a building through a brick veneered wall, as  
shown and described.

**DESCRIPTION**

FIG. 1 is a perspective view of a device for connecting a deck  
ledger board to a building through a brick veneered wall  
showing our new design;  
FIG. 2 is a top view thereof;  
FIG. 3 is an end view thereof;  
FIG. 4 is a side view thereof;  
FIG. 5 is an opposite end view thereof;  
FIG. 6 is an opposite side view thereof; and,  
FIG. 7 is a bottom view thereof.

**1 Claim, 1 Drawing Sheet**

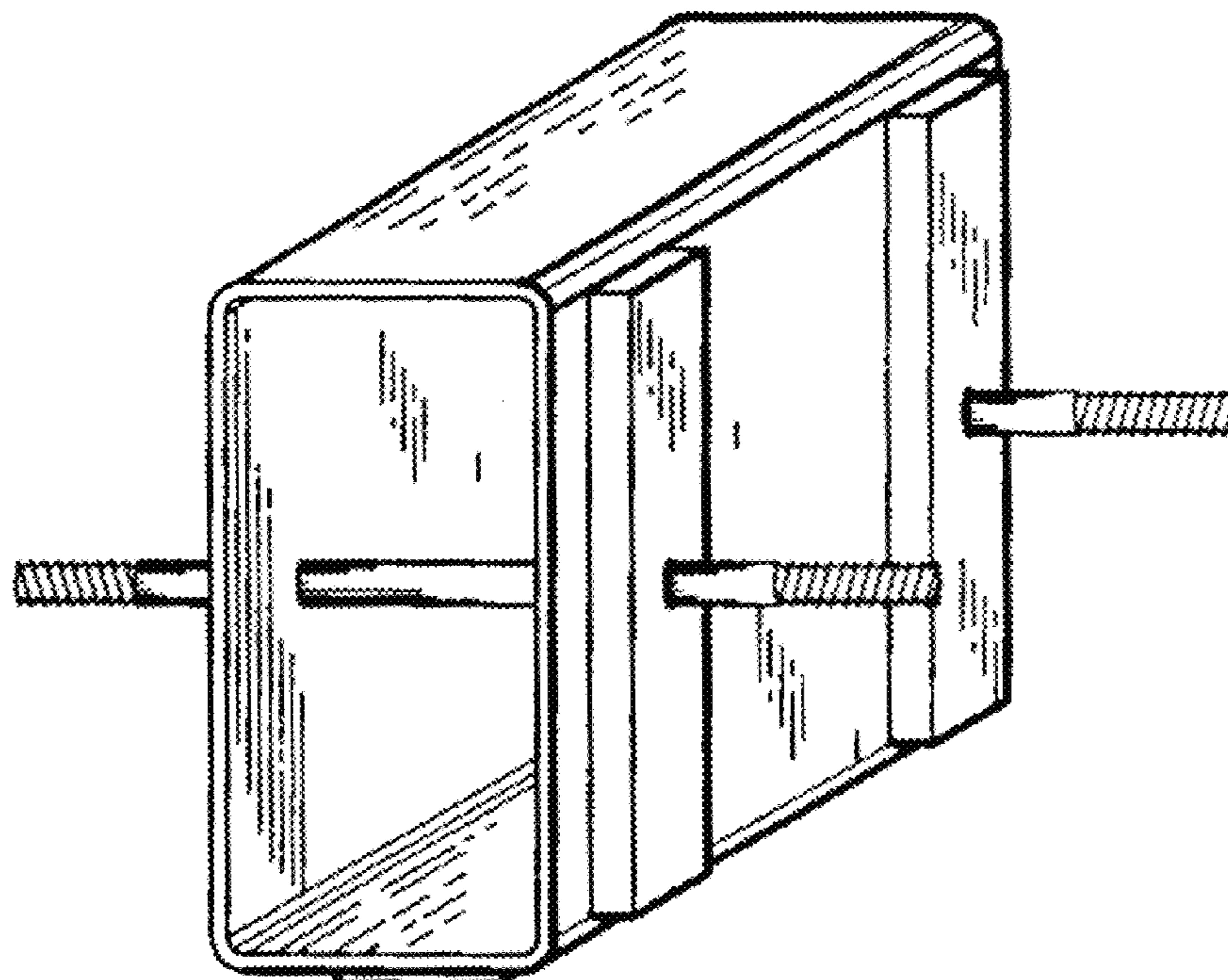


FIG-1

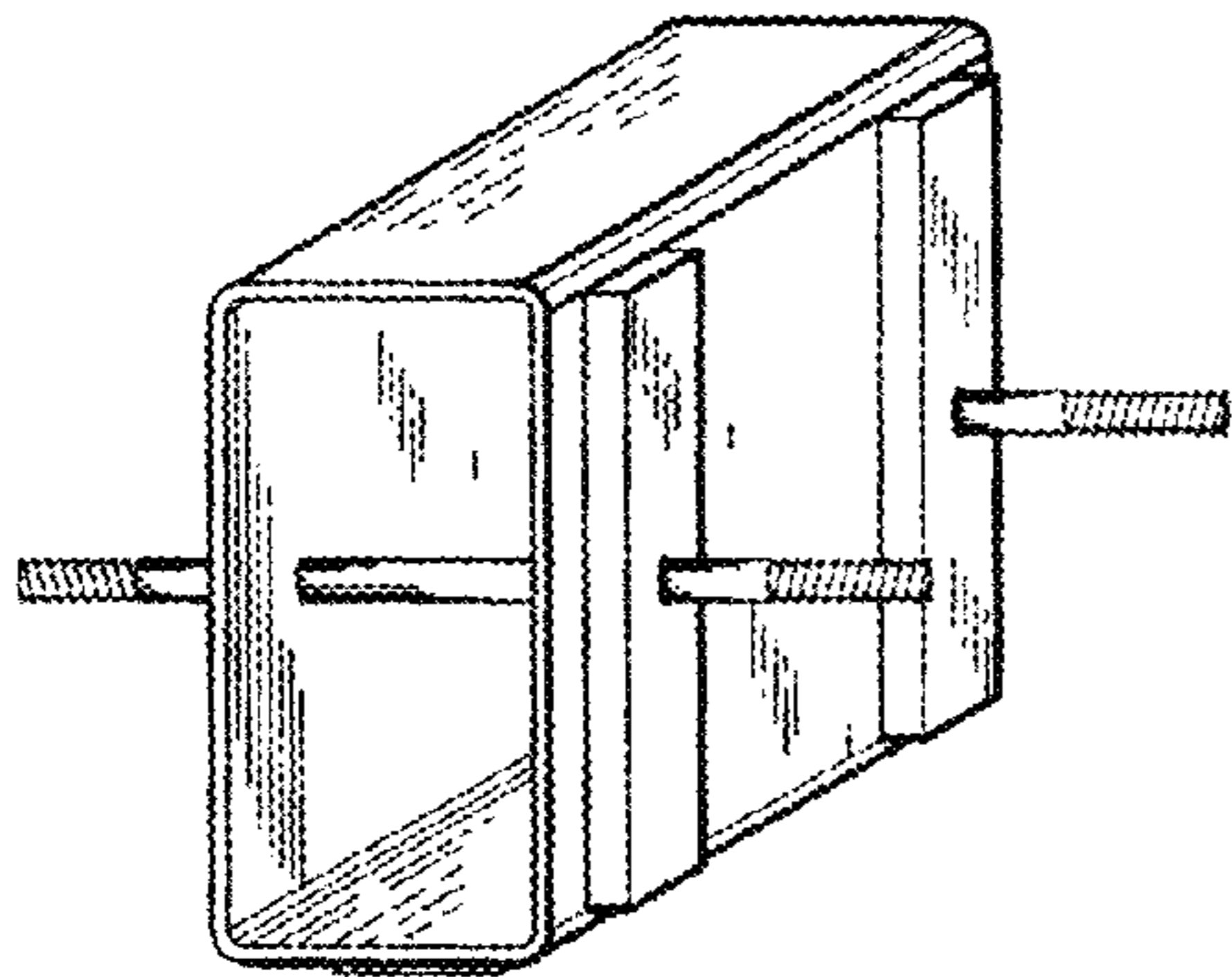


FIG-2

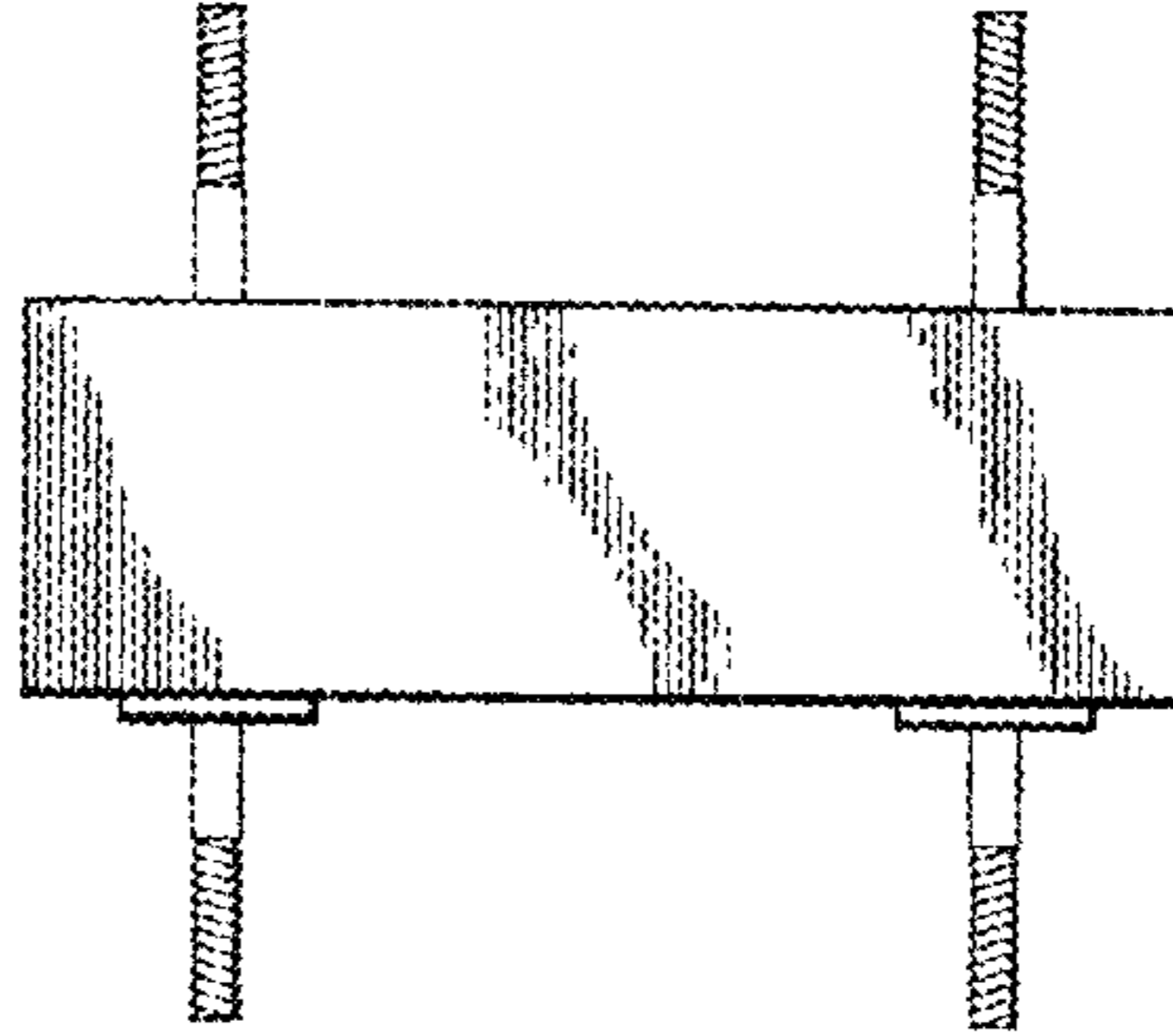


FIG-3

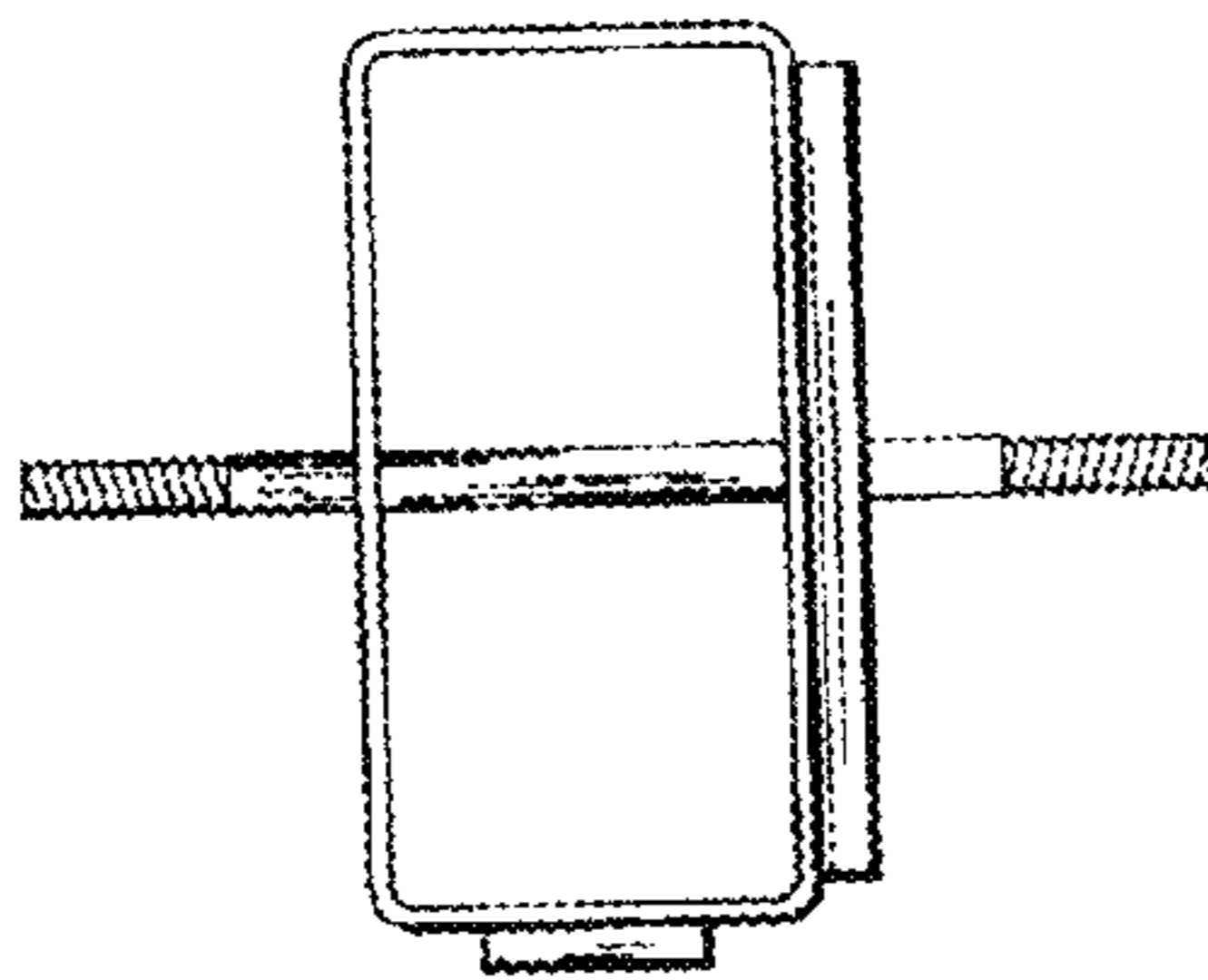


FIG-4

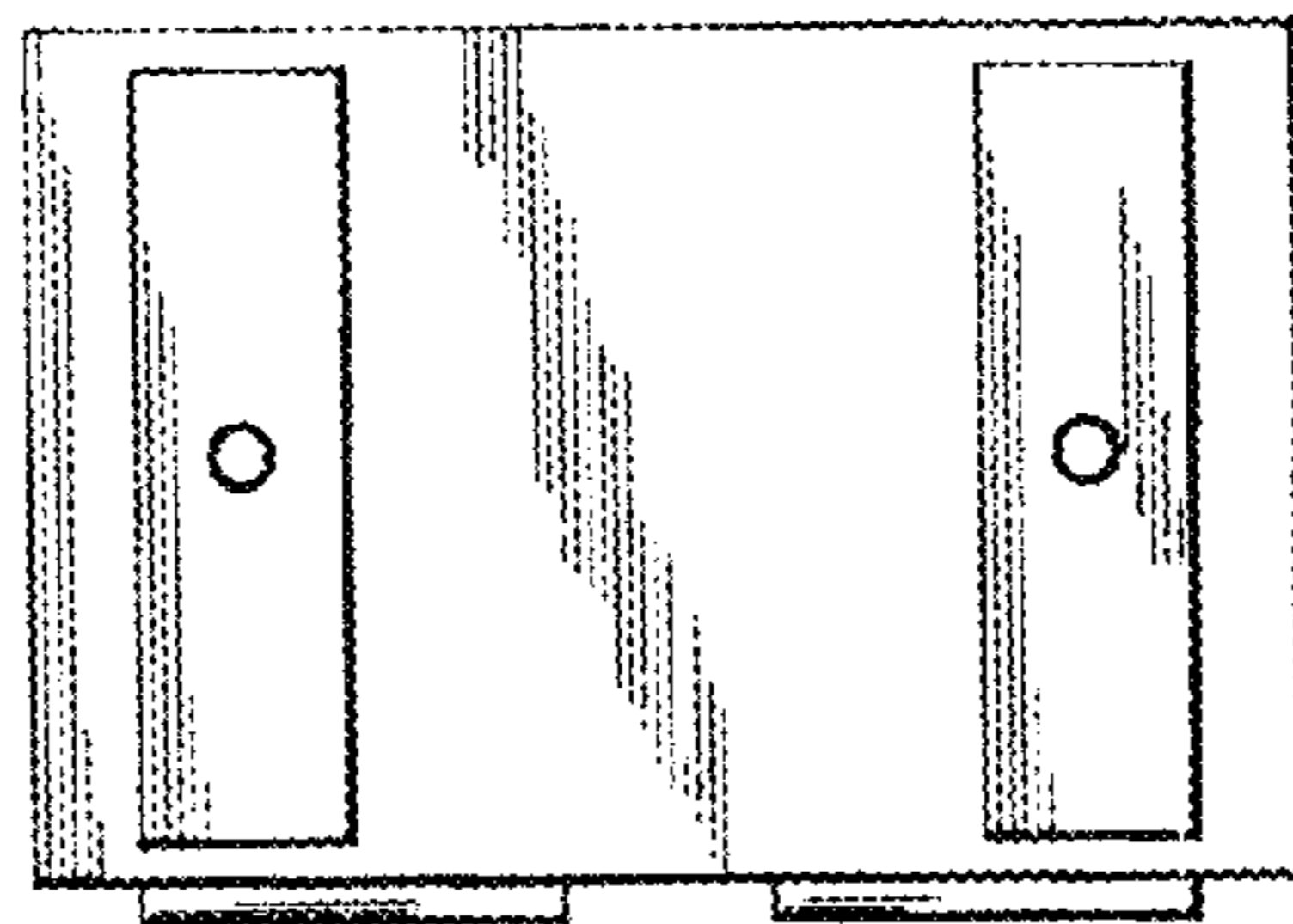


FIG-5

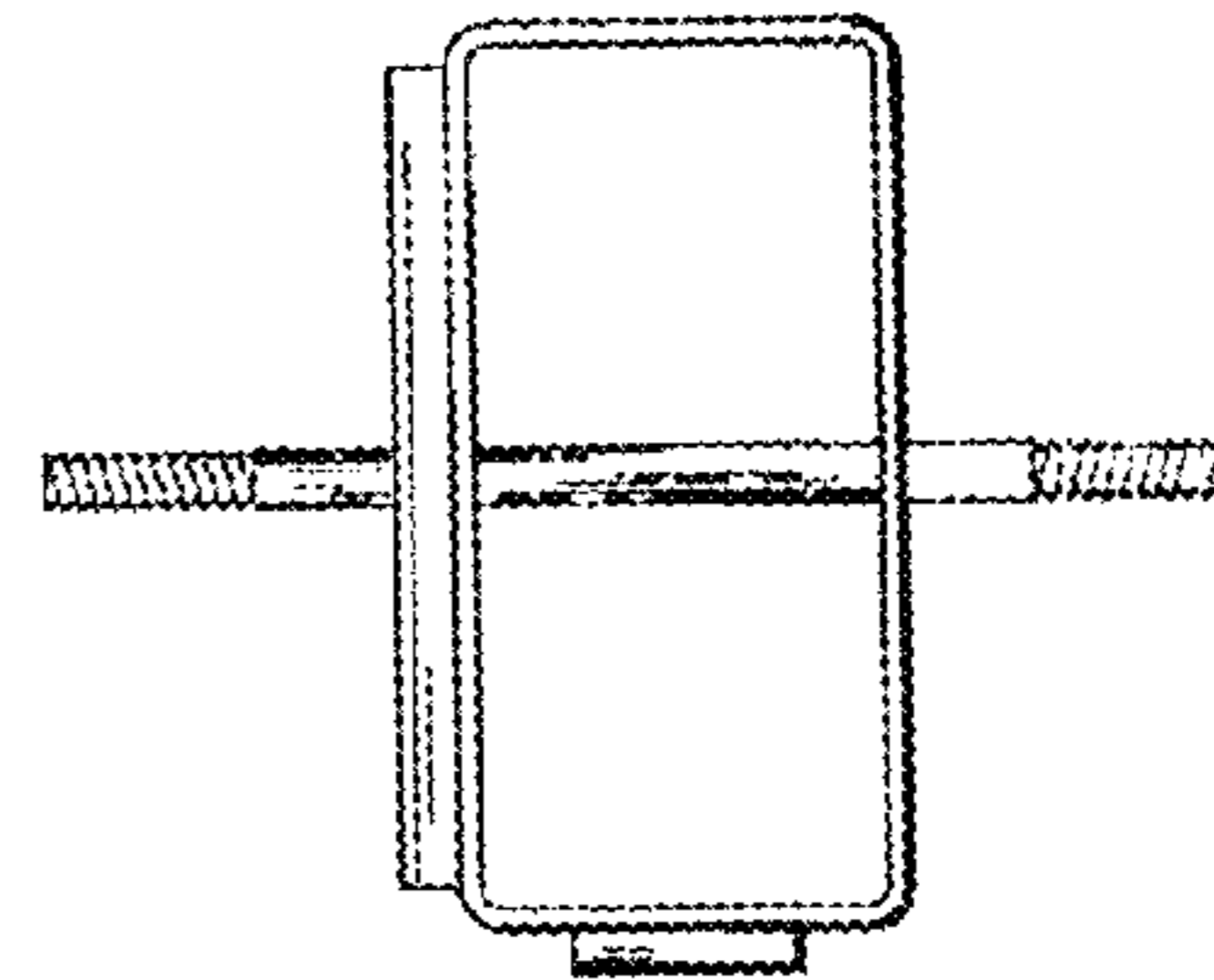


FIG-6

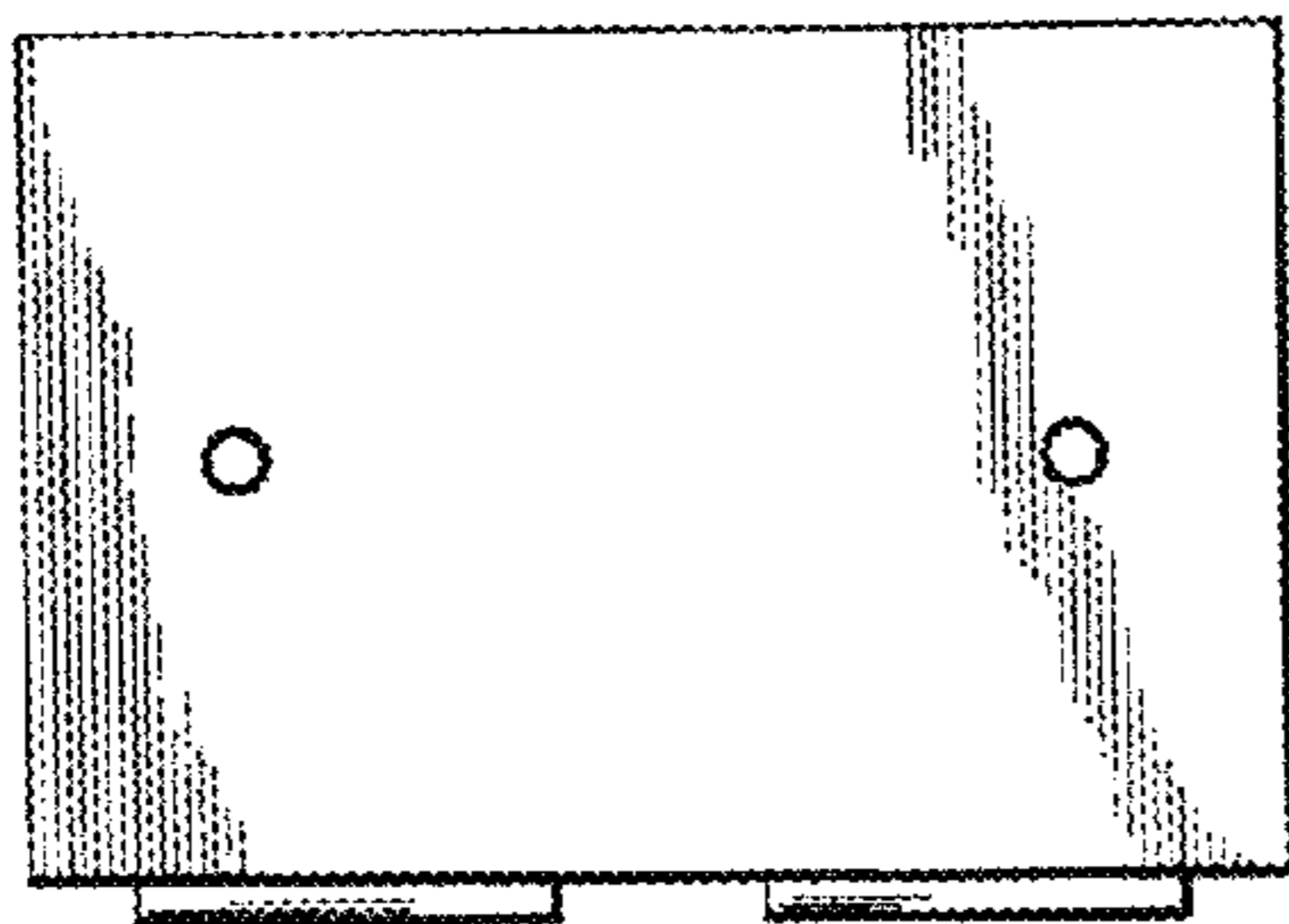


FIG-7

