



US00D737669S

(12) **United States Design Patent**
Anderson et al.

(10) **Patent No.:** **US D737,669 S**
(45) **Date of Patent:** **** Sep. 1, 2015**

(54) **HOSE REEL ENCLOSURE**

(71) Applicant: **Suncast Technologies, LLC**, Palm Beach Gardens, FL (US)

(72) Inventors: **Torrence Anderson**, Overland Park, KS (US); **Michael Thuma**, La Grange, IL (US); **Michael R. Vogler**, Oswego, IL (US)

(73) Assignee: **Suncast Technologies, LLC**, Palm Beach Gardens, FL (US)

(**) Term: **14 Years**

(21) Appl. No.: **29/479,716**

(22) Filed: **Jan. 17, 2014**

(51) **LOC (10) Cl.** **08-05**

(52) **U.S. Cl.**
USPC **D8/359**

(58) **Field of Classification Search**
USPC D8/356, 358, 359, 19, 45, 44; 242/395, 242/405.3, 118.7, 542.4, 160.4, 366, 400, 242/370; 137/355.27, 355.2; D14/484; D3/24; D15/16; D12/501, 204; D22/140, 137; 239/198; D9/415, 419, D9/455
CPC H02G 11/02; A01K 89/003; H04M 1/15; A01D 34/822; A47L 9/26; H04R 1/1033; Y10S 24/909; B65H 2701/33; B65H 75/403; B65H 75/441; B65H 54/585; A62C 33/04; B08B 2203/0276; B21C 47/28
See application file for complete search history.

(56) **References Cited**

U.S. PATENT DOCUMENTS

6,877,687	B2 *	4/2005	Moon et al.	242/390.8
D575,025	S *	8/2008	Anderson et al.	D34/25
D580,621	S *	11/2008	Anderson et al.	D34/25
D582,759	S *	12/2008	Anderson et al.	D8/359
D666,475	S *	9/2012	Gaiti	D8/358
D686,907	S *	7/2013	Chastain et al.	D8/358
D694,095	S *	11/2013	Chastain et al.	D8/358
2004/0046078	A1 *	3/2004	Moon et al.	242/390.8

* cited by examiner

Primary Examiner — Robert M Spear

Assistant Examiner — Eliza Bennett-Hattan

(74) *Attorney, Agent, or Firm* — McHale & Slavin, P.A.

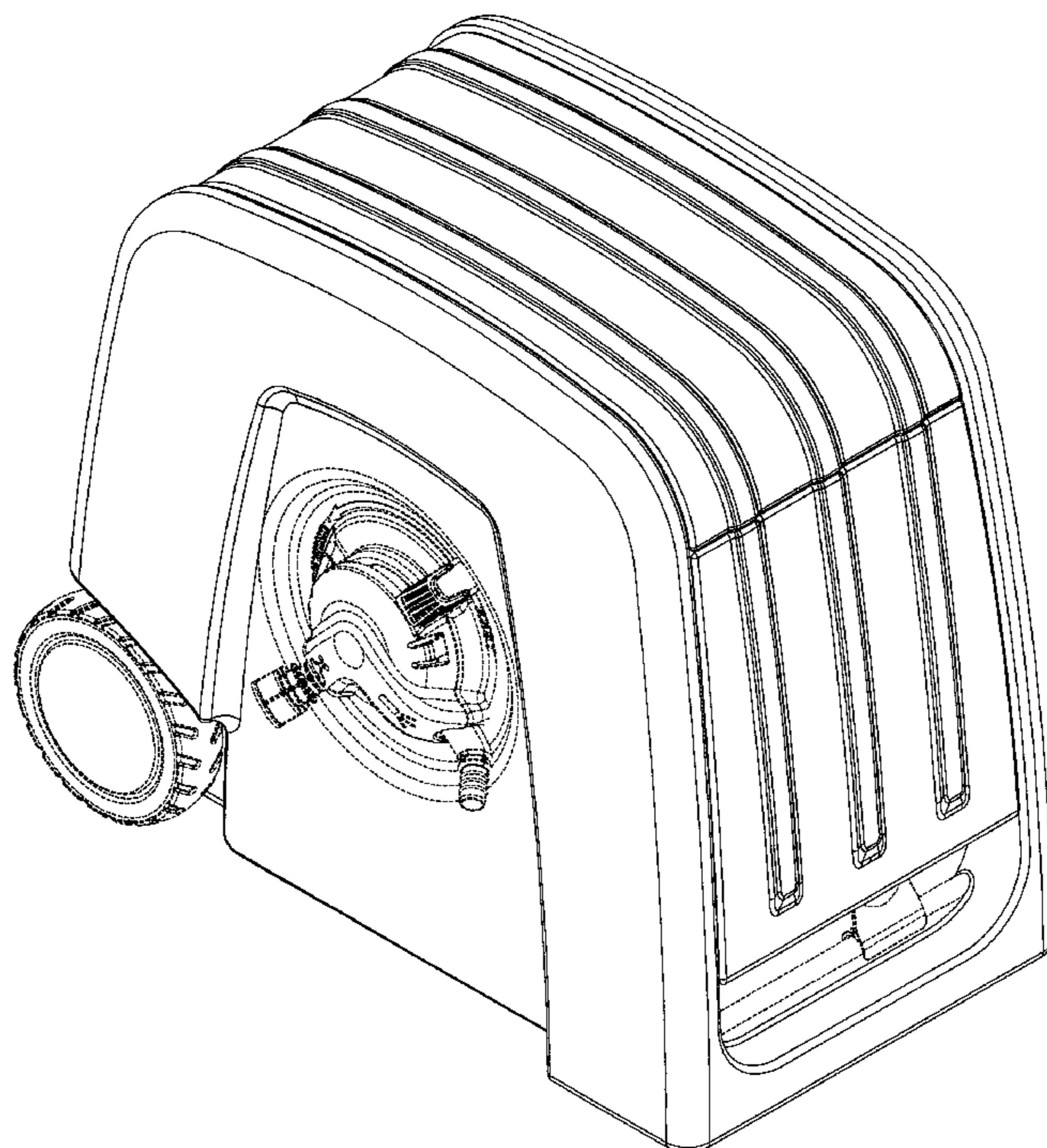
(57) **CLAIM**

The ornamental design for a hose reel enclosure, as shown and described.

DESCRIPTION

FIG. 1 is a front right perspective view of the hose reel enclosure of the present invention;
FIG. 2 is a rear left perspective view thereof;
FIG. 3 is a front view thereof;
FIG. 4 is a rear view thereof; and,
FIG. 5 is a left side view thereof.
The portions of the hose reel enclosure illustrated in broken lines form no part of the claimed subject matter.

1 Claim, 5 Drawing Sheets



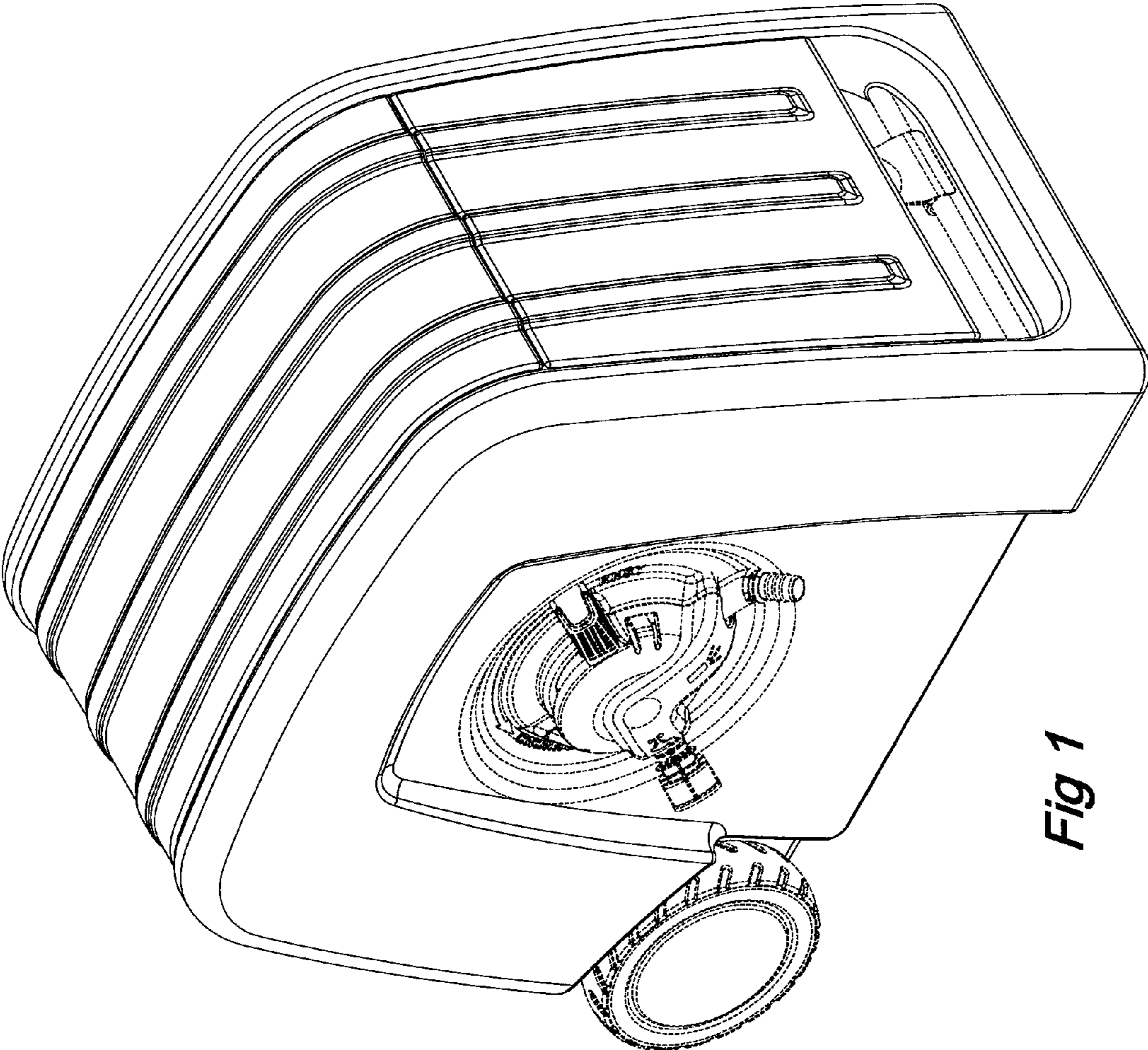


Fig 1

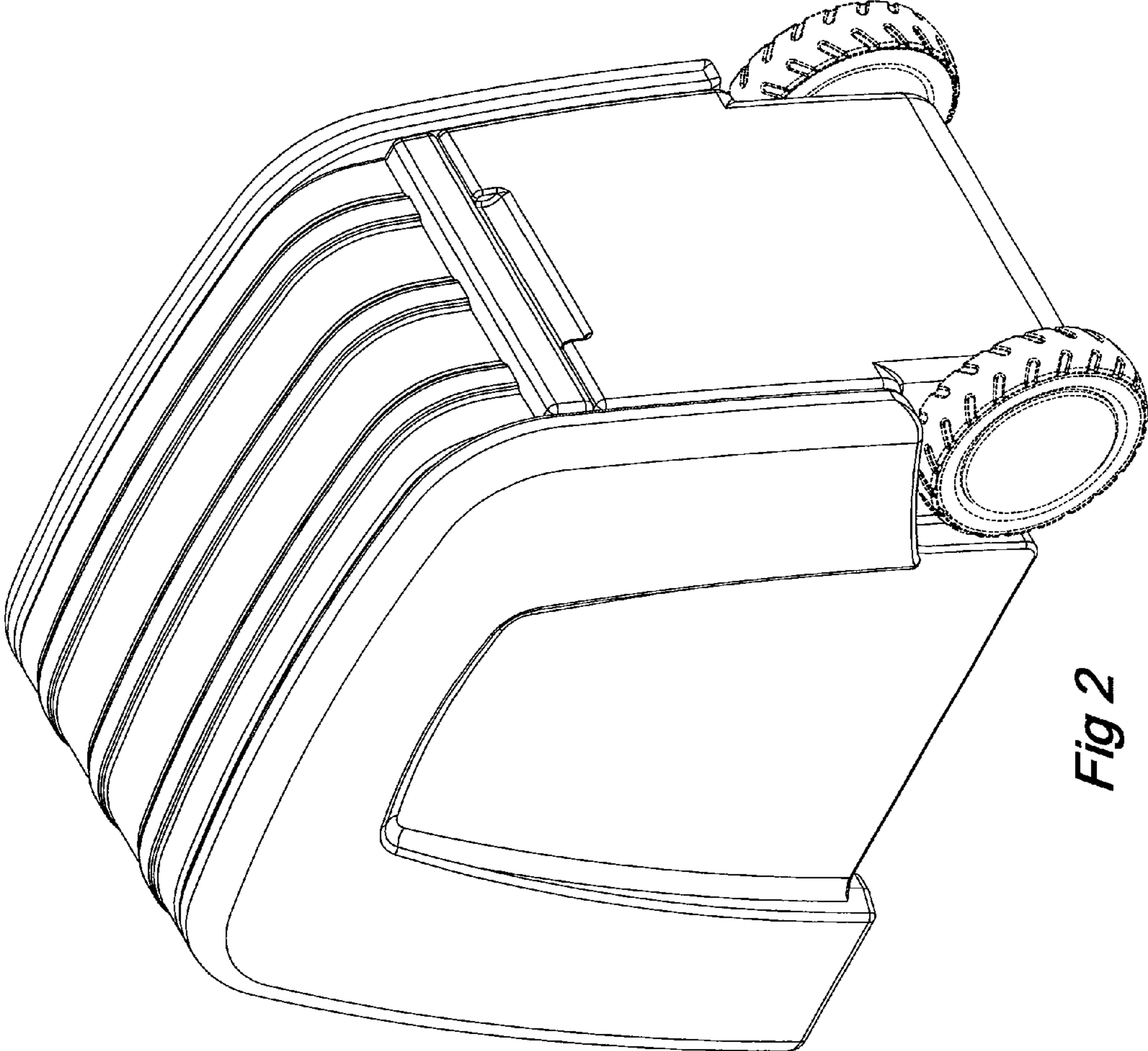


Fig 2

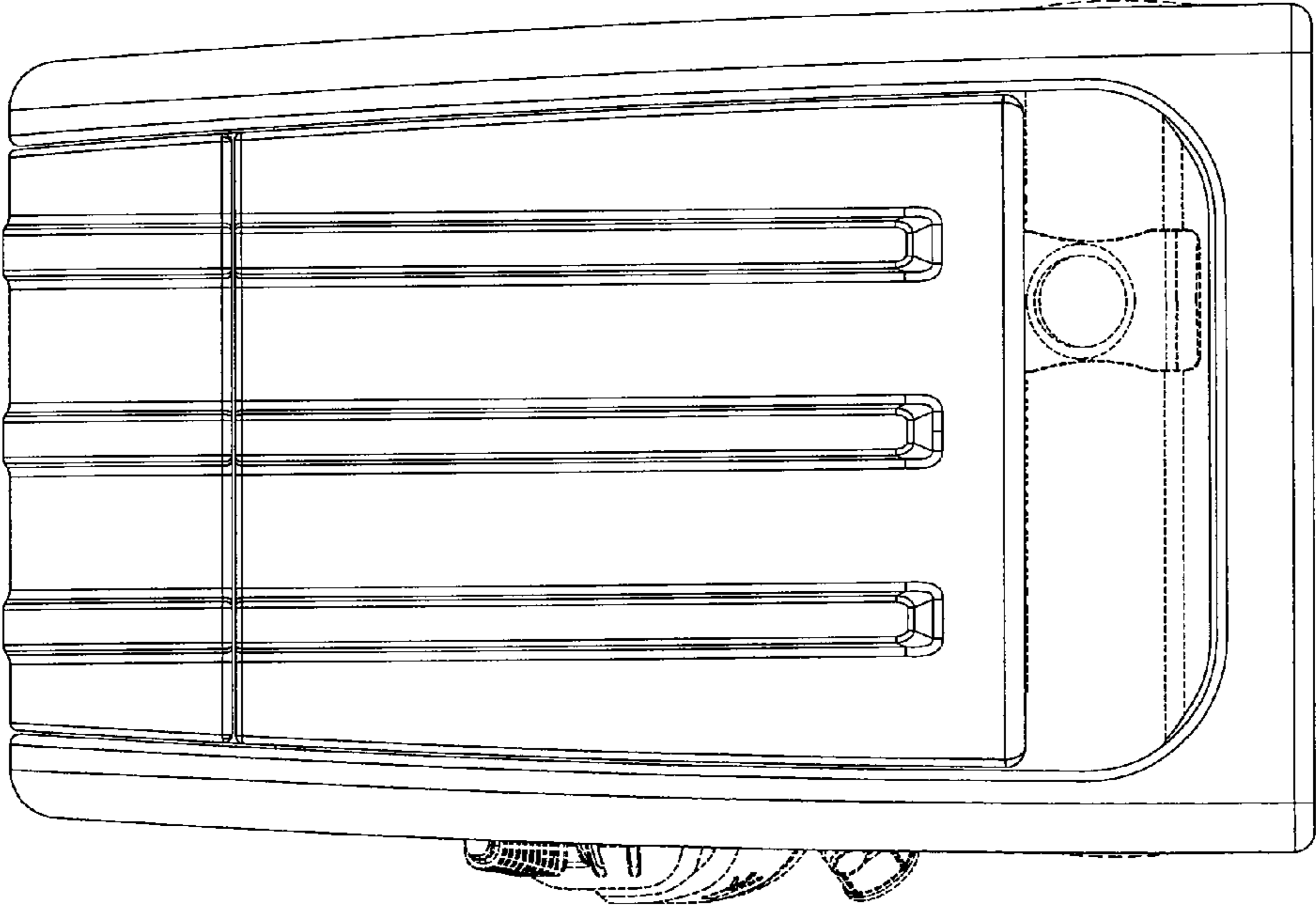


Fig 3

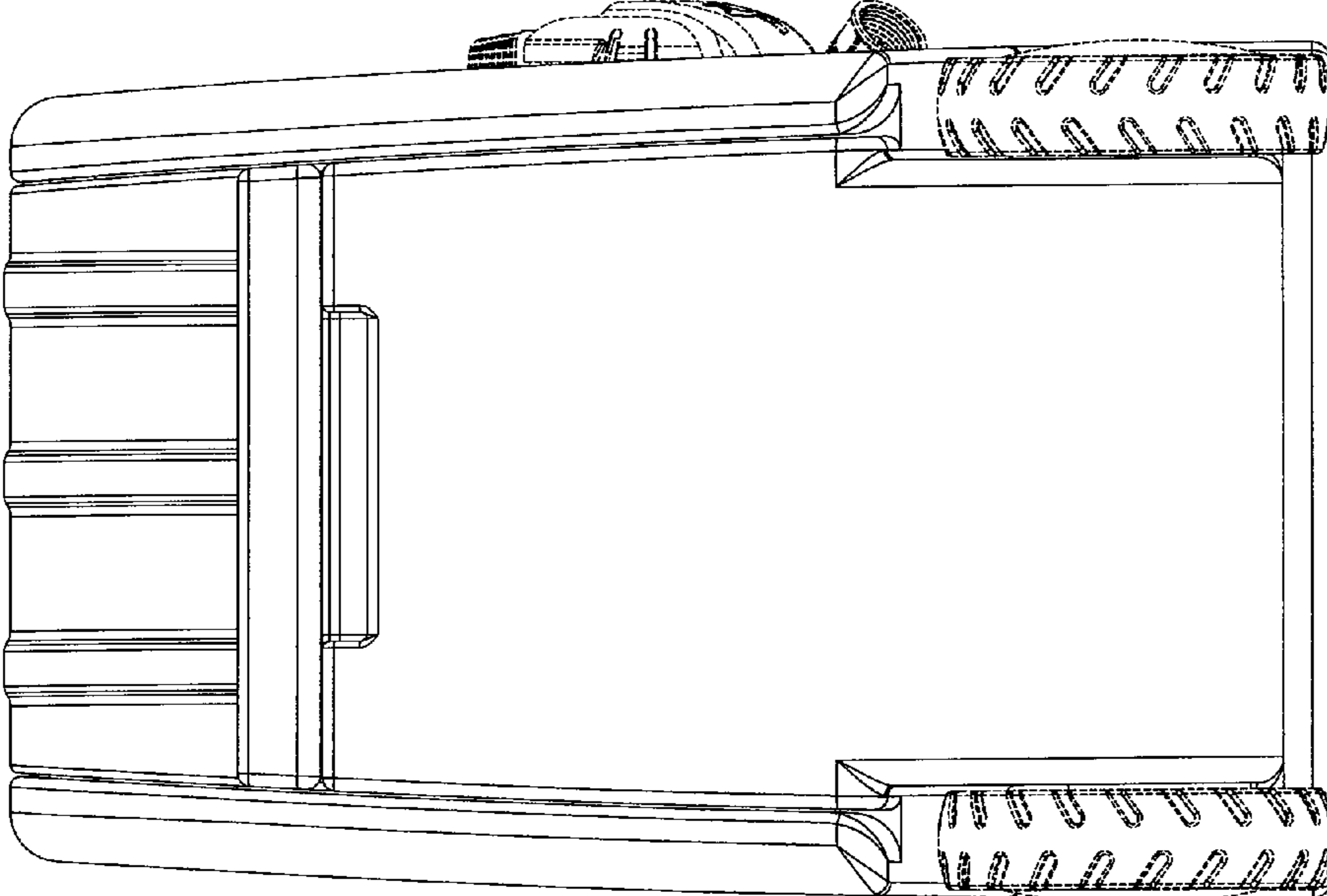


Fig 4

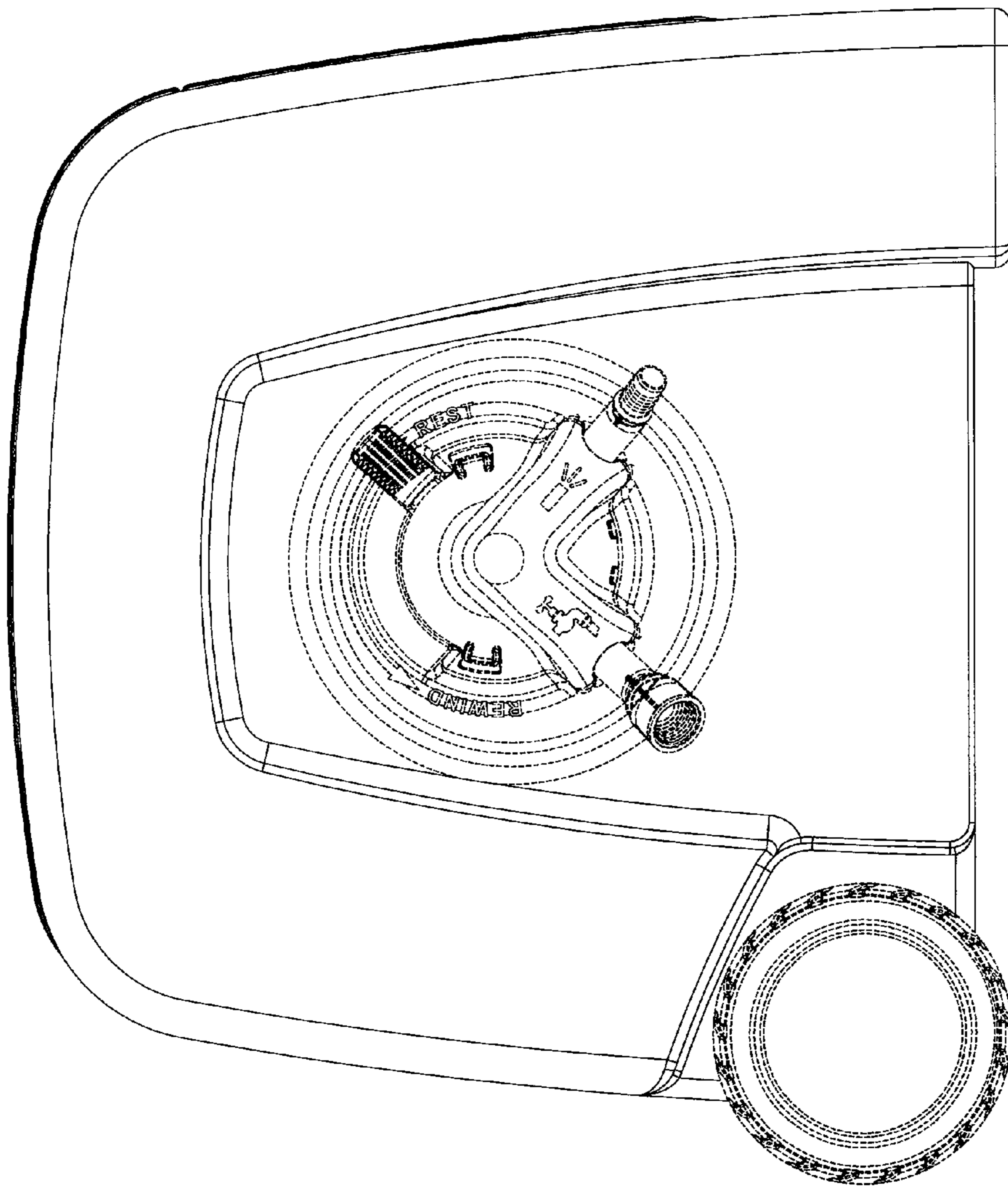


Fig 5