

US00D737666S

(12) **United States Design Patent**
Rodriguez

(10) **Patent No.:** **US D737,666 S**

(45) **Date of Patent:** **** Sep. 1, 2015**

(54) **POST STRAP STABILIZER**

(71) Applicant: **VMR Product Group**, San Antonio, TX (US)

(72) Inventor: **Eloy Rodriguez**, San Antonio, TX (US)

(73) Assignee: **VMR Product Group**, San Antonio, TX (US)

(**) Term: **14 Years**

(21) Appl. No.: **29/487,168**

(22) Filed: **Apr. 6, 2014**

(51) **LOC (10) Cl.** **08-05**

(52) **U.S. Cl.**
USPC **D8/356; D25/133**

(58) **Field of Classification Search**
USPC D8/367, 354, 349, 373, 323, 356, 397;
248/301-304, 339, 205.3, 220.21,
248/220.31; 24/132 R, 367, 354, 356;
211/87.01, 59.1; D25/133, 128, 131;
52/698, 297, 699, 700, 719; 256/65.14
CPC A47G 1/00; A47G 25/00
See application file for complete search history.

(56) **References Cited**

U.S. PATENT DOCUMENTS

1,671,185	A	8/1875	McDonald	
748,946	A	1/1904	Hansberger	
1,081,976	A	12/1913	Mccain	
1,991,087	A	2/1935	Falcon	
3,550,343	A	12/1970	Buske	
3,940,941	A *	3/1976	Libert et al.	405/259.6
D269,410	S *	6/1983	Johansson	D8/367
D269,411	S *	6/1983	Johansson	D8/367
4,607,984	A *	8/1986	Cassidy	405/259.6
4,793,110	A	12/1988	Tucker	

4,979,817	A	12/1990	Crisp, Sr.	
D359,431	S *	6/1995	Motley	D8/44
D524,149	S *	7/2006	Kim	D8/397
D588,442	S *	3/2009	Chong et al.	D8/356
D605,500	S *	12/2009	Lee et al.	D8/387
D610,717	S *	2/2010	Lin	D25/133
D630,086	S *	1/2011	Chou	D8/356
D646,154	S *	10/2011	Andersson	D8/397
D646,799	S *	10/2011	Yasher et al.	D25/133
D654,778	S *	2/2012	Hines et al.	D8/356
D664,832	S *	8/2012	van der Vorst	D8/356
D679,988	S *	4/2013	Yamazaki	D8/397
D682,909	S *	5/2013	Kim	D16/219
D692,293	S *	10/2013	Toscani et al.	D8/356
D699,552	S *	2/2014	Wills	D8/380
D704,543	S *	5/2014	Kuhmichel et al.	D8/397
D707,534	S *	6/2014	Crouse et al.	D8/356
D716,640	S *	11/2014	Martinson	D8/356
D717,157	S *	11/2014	Widdows et al.	D8/356

(Continued)

Primary Examiner — Cynthia Underwood

(74) *Attorney, Agent, or Firm* — Volk & McElroy, LLP; Michael D. Volk, Jr.

(57) **CLAIM**

The ornamental design for a post strap stabilizer, as shown.

DESCRIPTION

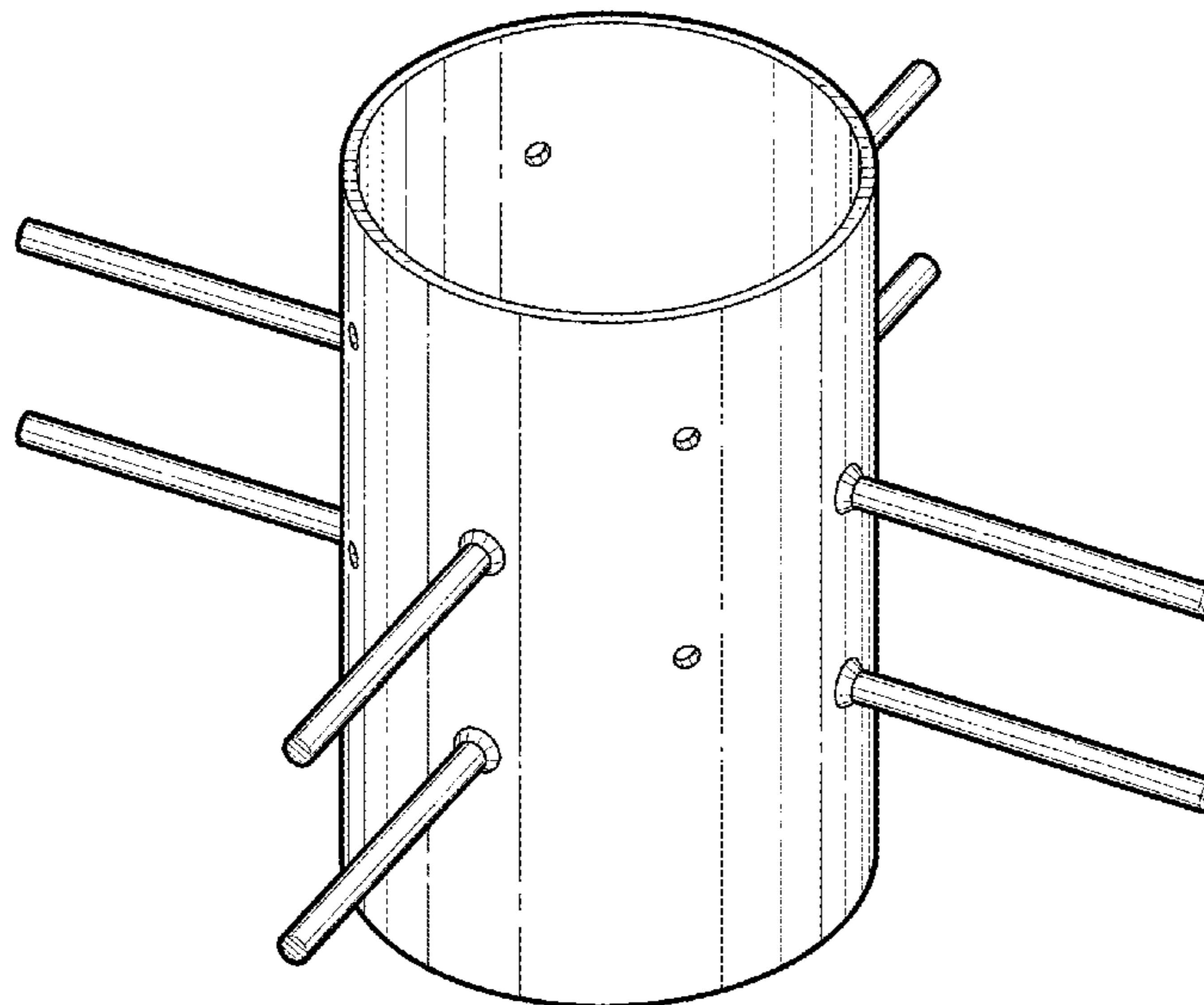
FIG. 1 is a perspective view of a post strap stabilizer showing my new design.

FIG. 2 is a front view thereof. The rear view, left side view, and right side view of FIG. 2 are identical to the front view shown in FIG. 2.

FIG. 3 is another front view thereof wherein the post strap stabilizer of FIG. 2 has been rotated about forty-five degrees. The rear view, left side view, and right side view of FIG. 3 are identical to the front view shown in FIG. 3; and,

FIG. 4 is a top view thereof which is identical to the bottom view thereof.

1 Claim, 3 Drawing Sheets



(56)

References Cited

U.S. PATENT DOCUMENTS

D722,489 S * 2/2015 Yamazaki D8/387
D726,342 S * 4/2015 Rodriguez D25/133
D728,831 S * 5/2015 Rodriguez D25/133

D731,296 S * 6/2015 Nelson et al. D8/356
2004/0226857 A1 * 11/2004 Wright et al. 206/713
2007/0267552 A1 * 11/2007 Meyer 248/156
2010/0024993 A1 * 2/2010 Chou 160/323.1

* cited by examiner

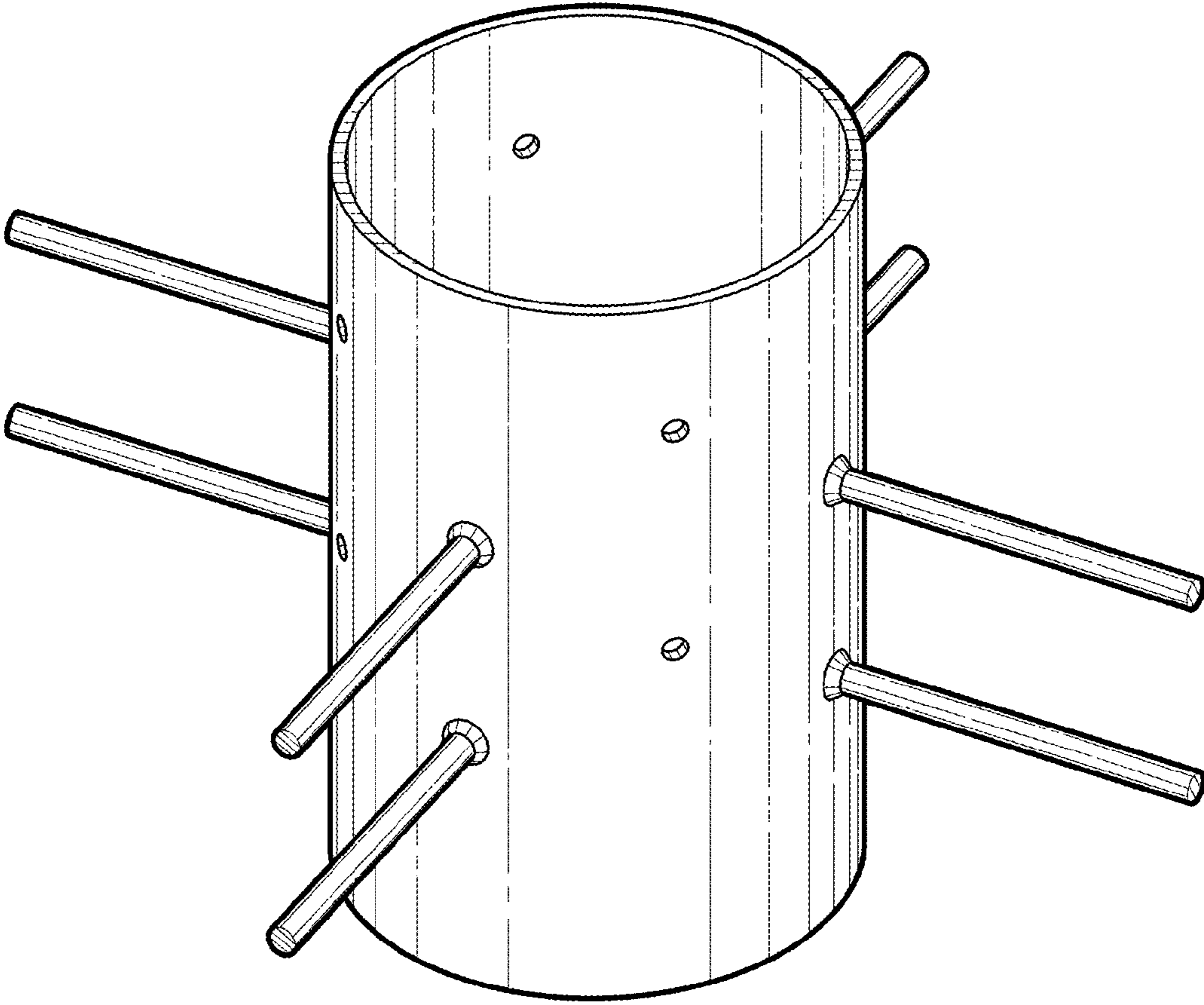


FIG. 1

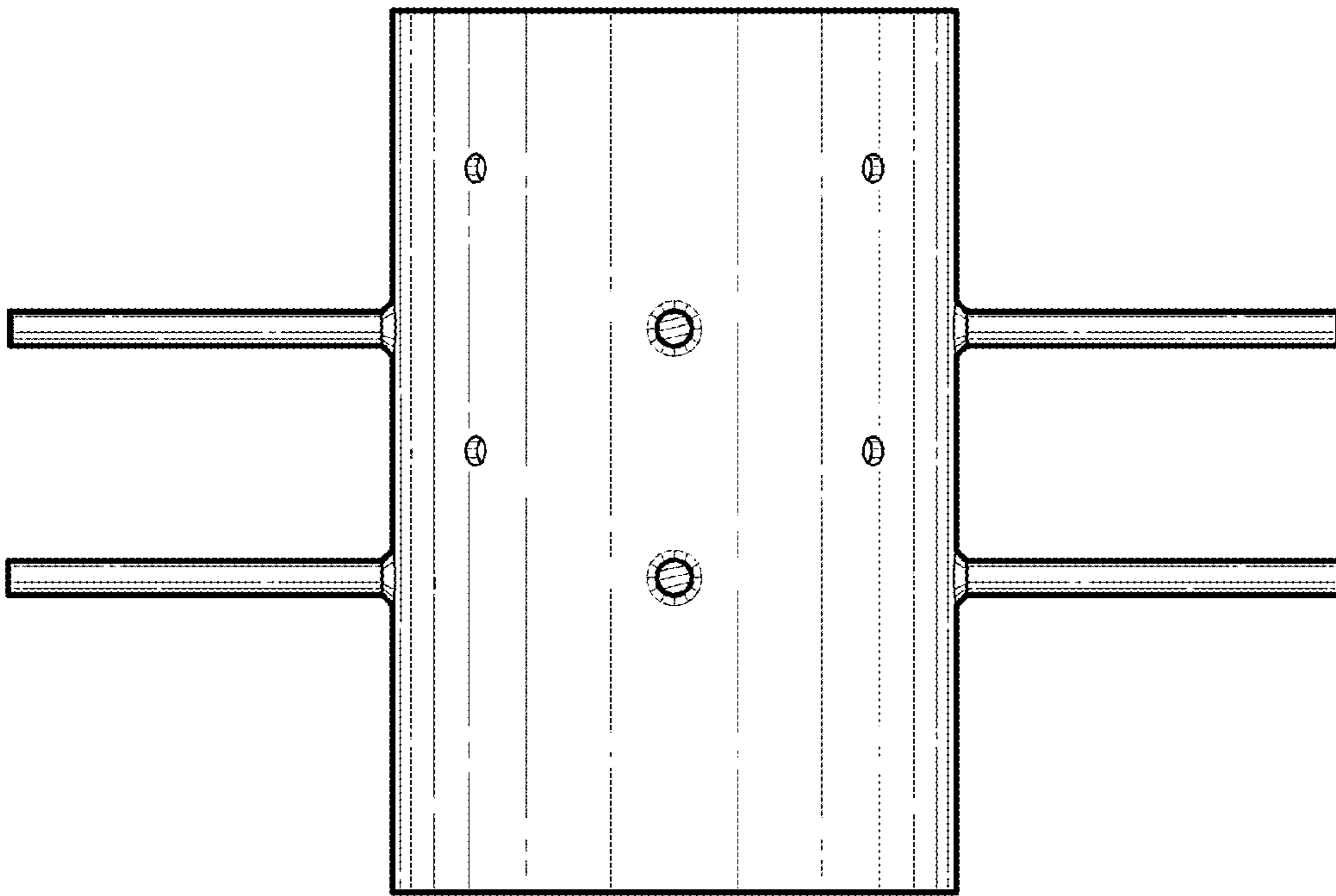


FIG. 2

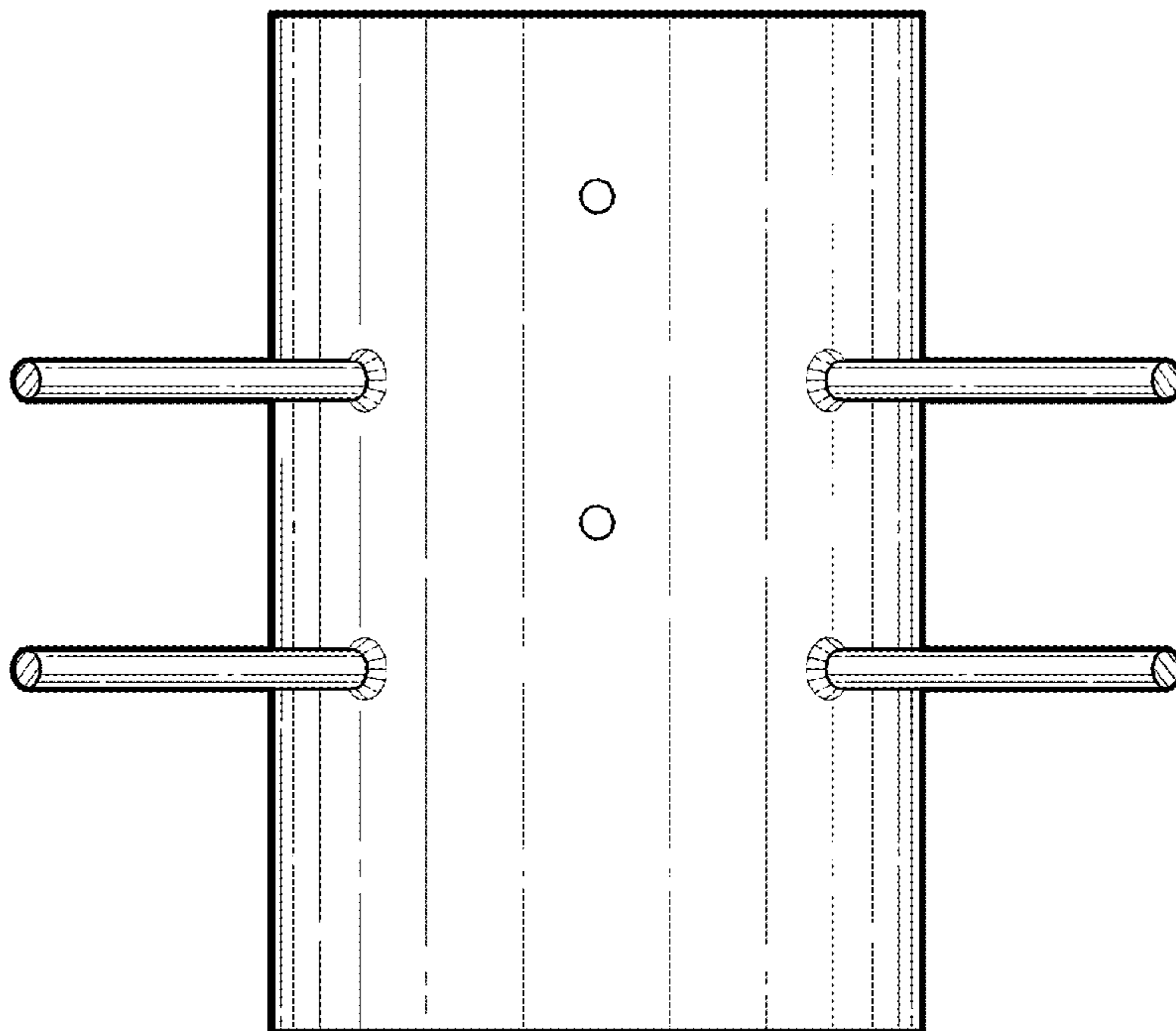


FIG. 3

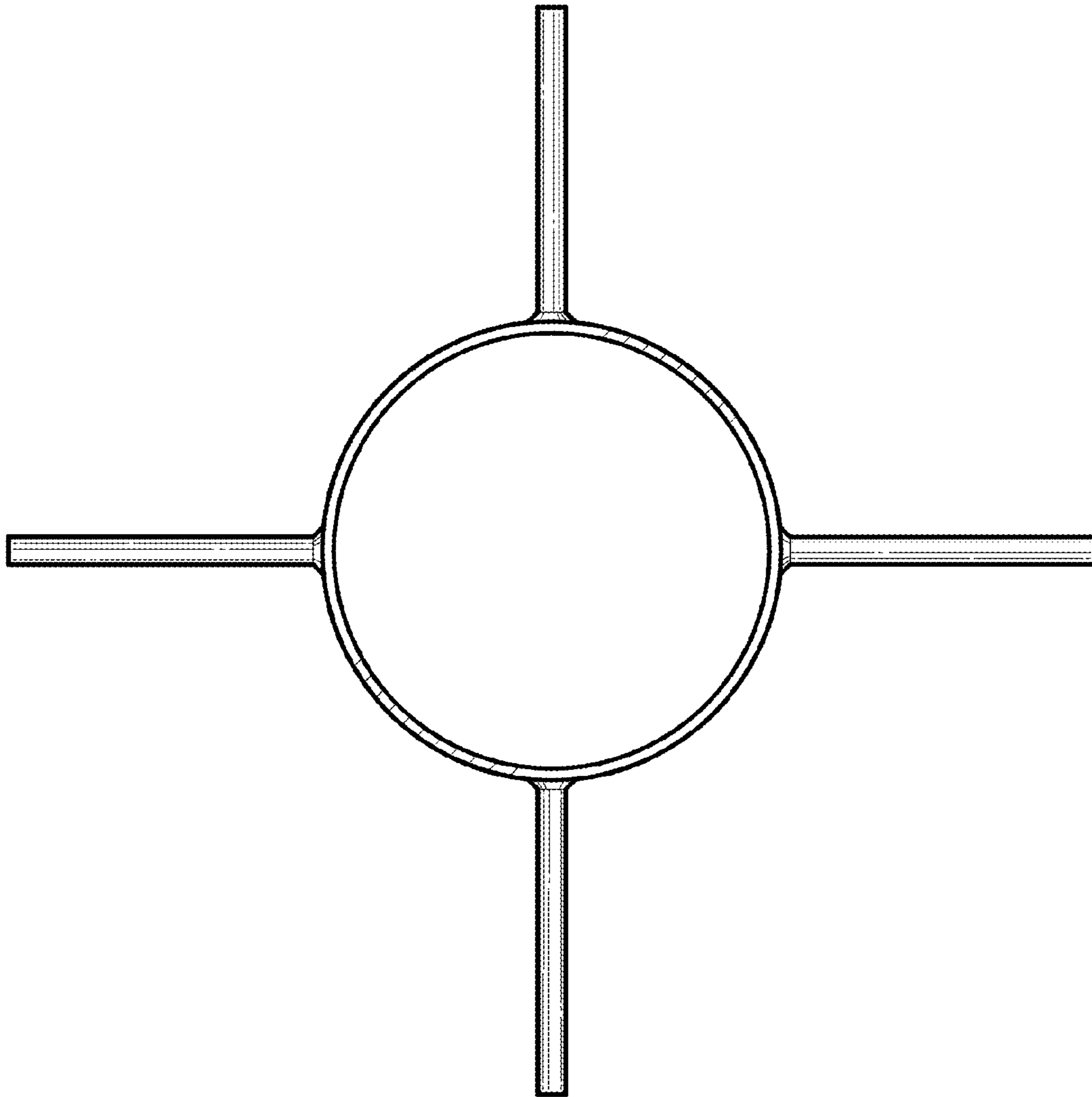


FIG. 4