



US00D737664S

(12) **United States Design Patent**
Kobayashi

(10) **Patent No.:** **US D737,664 S**

(45) **Date of Patent:** **** Sep. 1, 2015**

(54) **MOUNT FOR ROOFTOP ARTICLE
INSTALLATION**

(71) Applicant: **YANEGIJUTSUKENKYUJO CO.,
LTD.**, Takahama-shi, Aichi (JP)

(72) Inventor: **Shuichi Kobayashi**, Takahama (JP)

(73) Assignee: **YANEGIJUTSUKENKYUJO CO.,
LTD.**, Takahama-shi (JP)

(**) Term: **14 Years**

(21) Appl. No.: **29/489,639**

(22) Filed: **May 1, 2014**

(30) **Foreign Application Priority Data**

Mar. 7, 2014 (JP) 2014-004844

(51) **LOC (10) Cl.** **08-05**

(52) **U.S. Cl.**
USPC **D8/354**

(58) **Field of Classification Search**
USPC D8/349, 354
CPC A47F 5/00; A47H 1/10; E04G 5/06;
A47G 29/00; A47G 29/08; A47B 97/00;
H02G 3/123; B60R 2011/0005; B60K
2350/941; B60K 37/04

See application file for complete search history.

(56) **References Cited**

U.S. PATENT DOCUMENTS

5,046,294 A *	9/1991	Platt	52/506.06
D368,647 S *	4/1996	Koebbe	D8/355
D377,751 S *	2/1997	Koebbe	D8/355
D430,789 S *	9/2000	Opperman	D8/363
7,788,872 B2 *	9/2010	Platt	52/665
D632,159 S *	2/2011	Charette	D8/354
D638,288 S *	5/2011	Tedesco et al.	D8/394
D646,955 S *	10/2011	Sanders et al.	D8/354
D662,406 S *	6/2012	Zhang et al.	D8/394
D713,947 S *	9/2014	Jensen	D23/366

* cited by examiner

Primary Examiner — Mark Goodwin

(74) *Attorney, Agent, or Firm* — Westerman, Hattori,
Daniels & Adrian, LLP

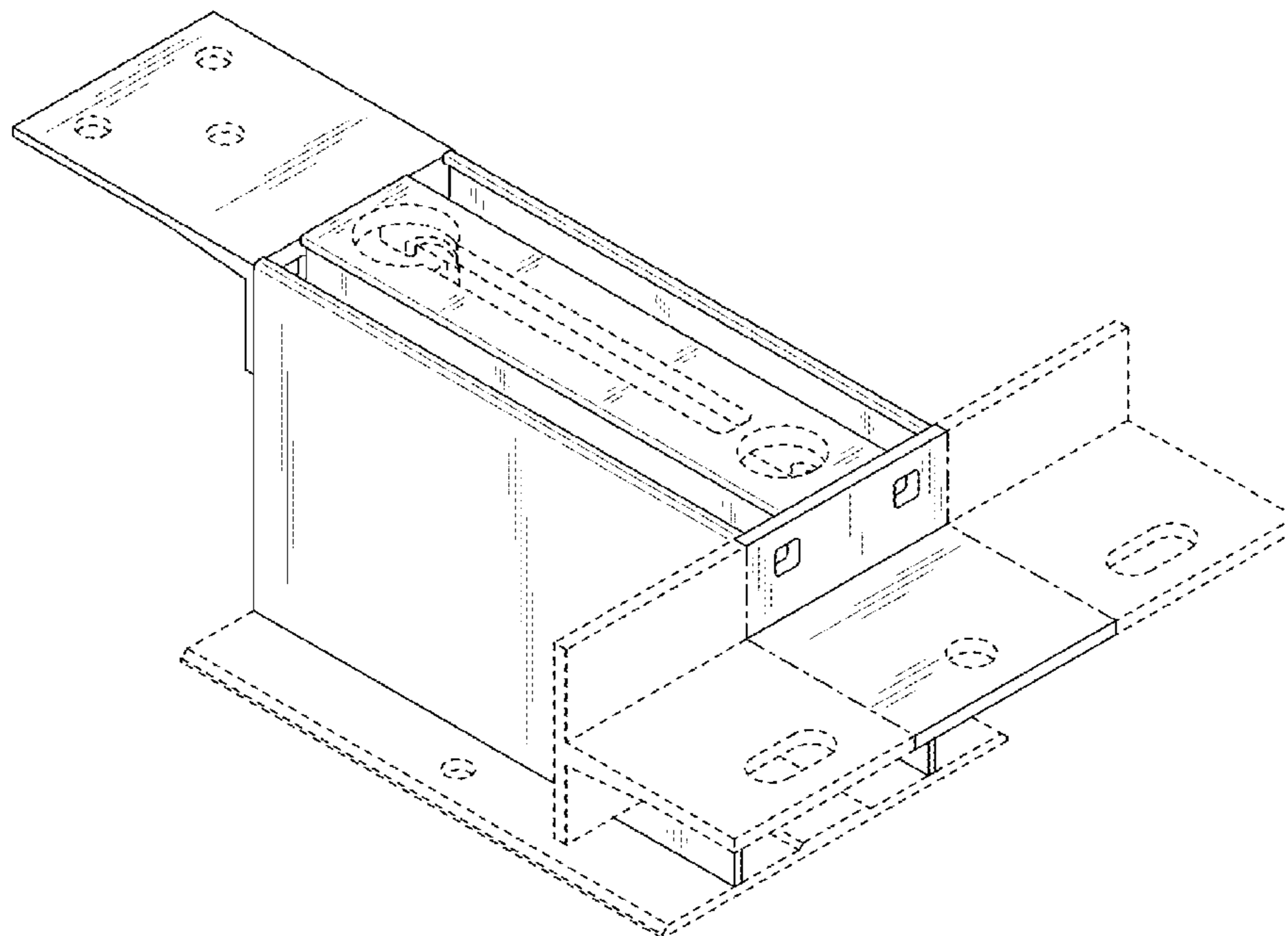
(57) **CLAIM**

The ornamental design for a mount for rooftop article installation, as shown and described.

DESCRIPTION

FIG. 1 is a front elevational view of a mount for rooftop article installation, showing my new design, the rear elevational view being a mirror image thereof;
FIG. 2 is a right side elevational view thereof;
FIG. 3 is a left side elevational view thereof;
FIG. 4 is a top plan view thereof;
FIG. 5 is a bottom plan view thereof;
FIG. 6 is a right front perspective view thereof; and,
FIG. 7 is a left rear perspective view thereof.
The broken lines represent environmental structure only, and form no part of the claimed design. The dot-dash lines represent the boundaries of the claimed design and form no part of the claimed design.

1 Claim, 7 Drawing Sheets



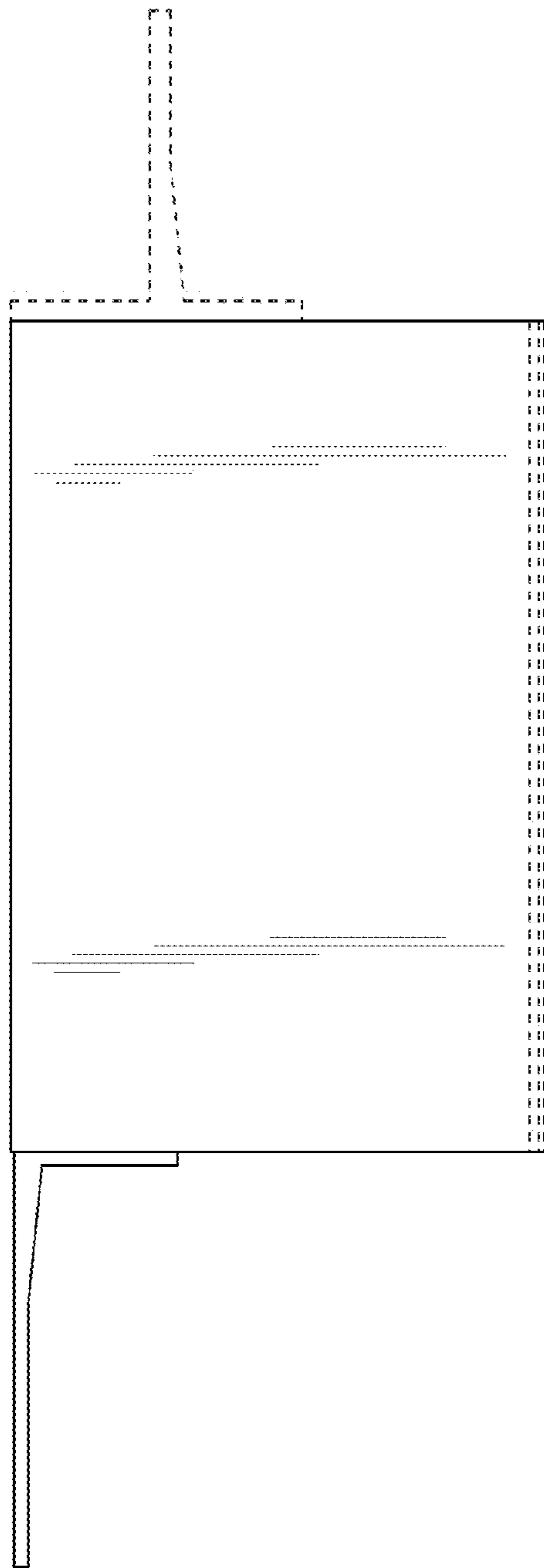


FIG.1

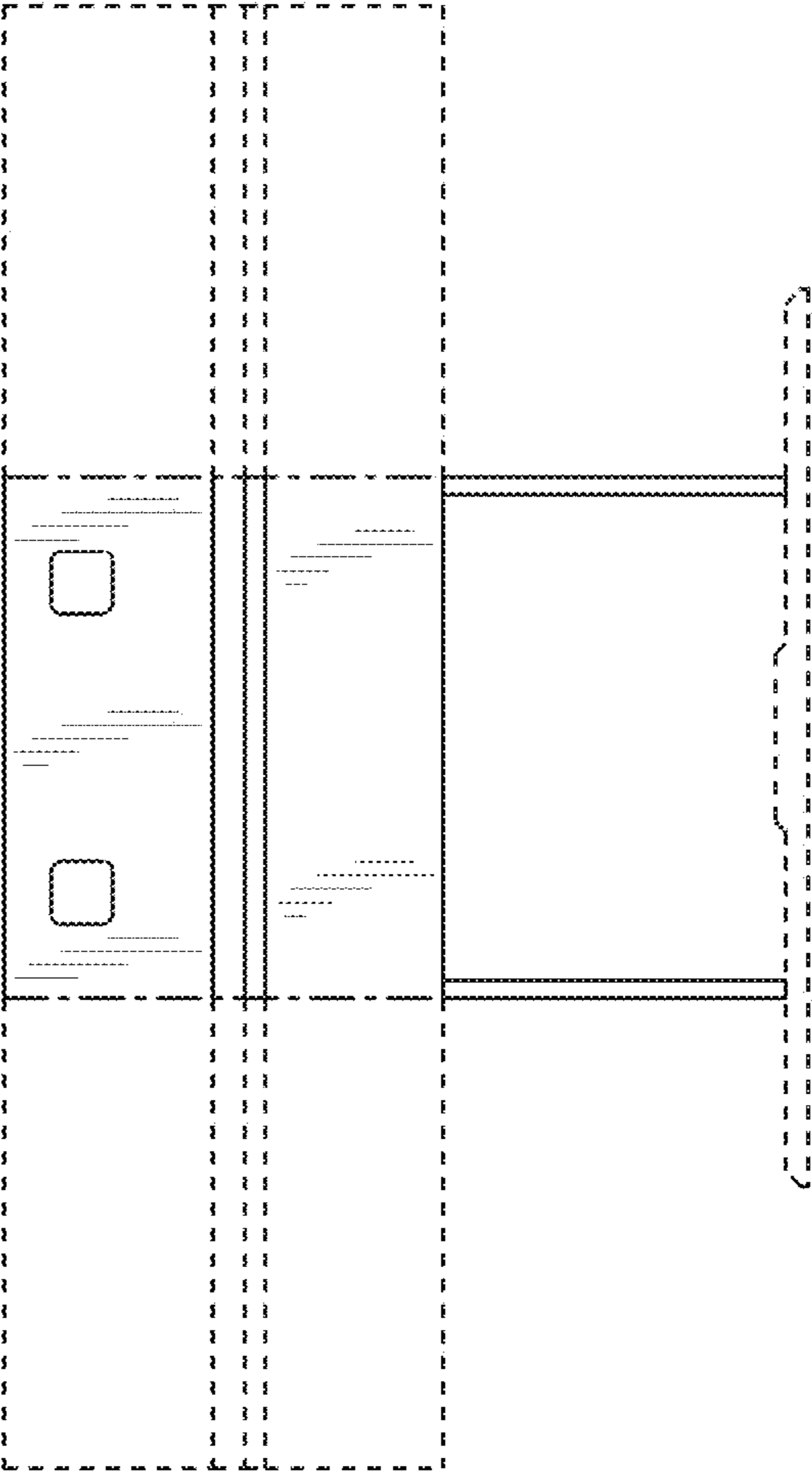


FIG.2

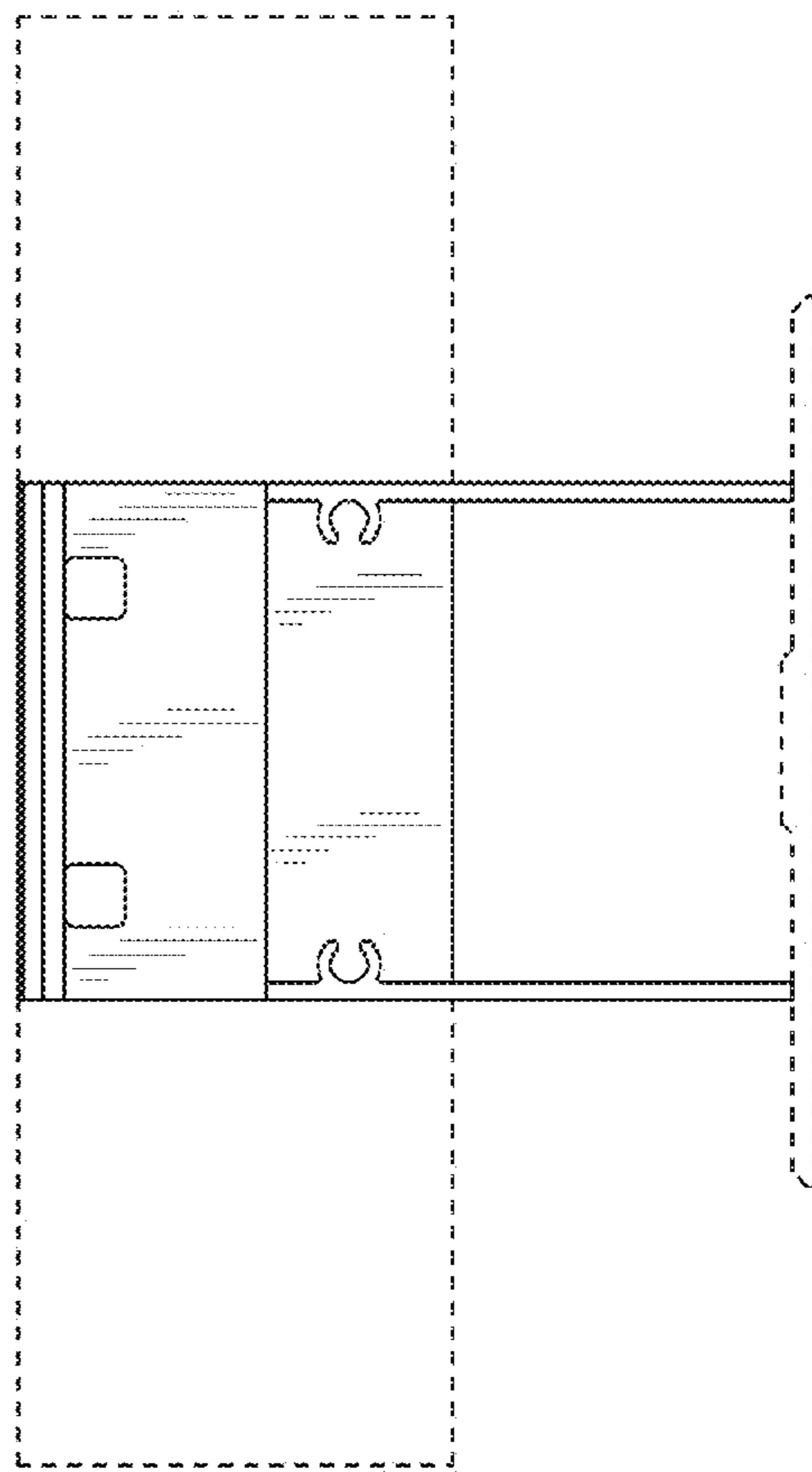


FIG.3

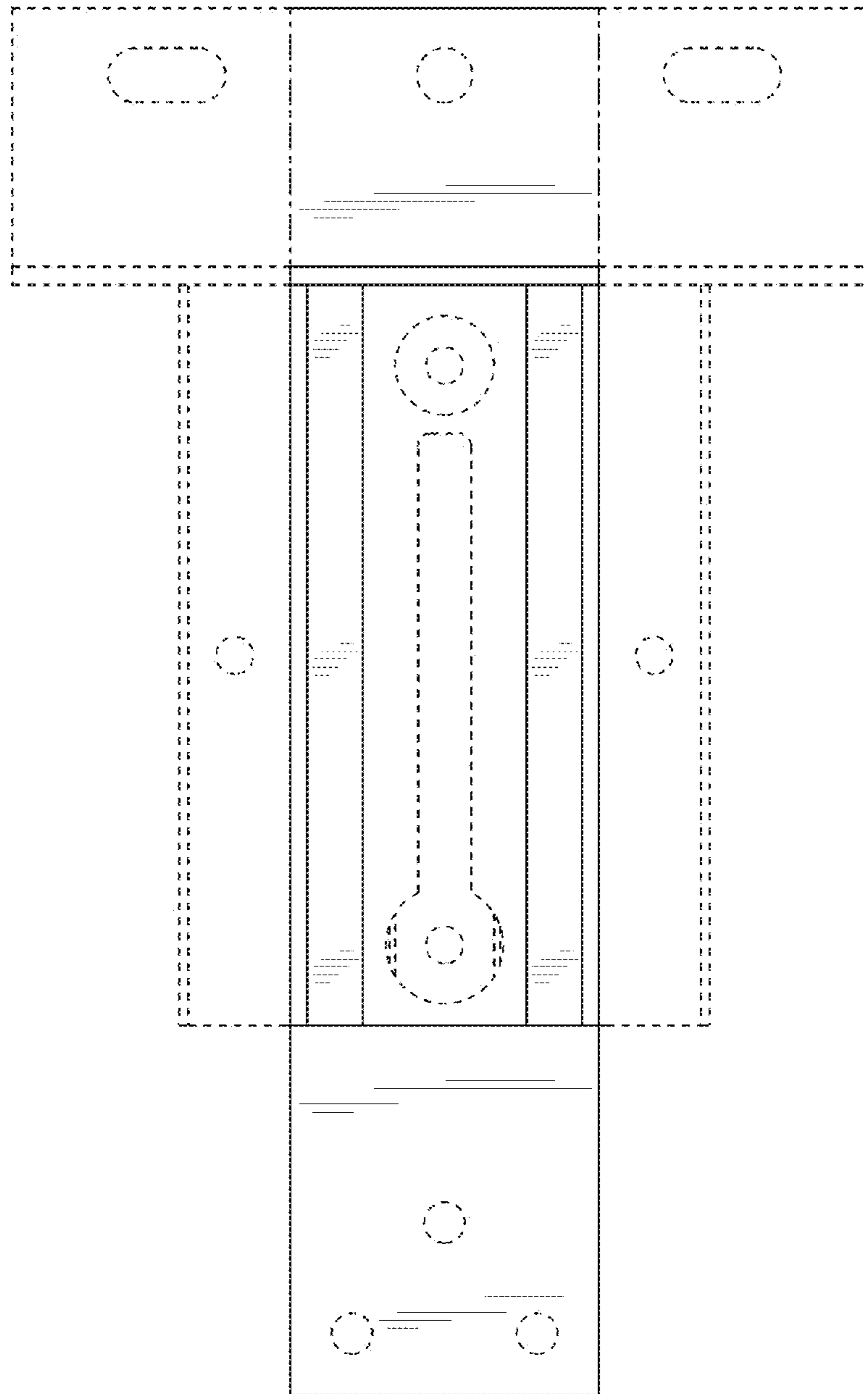


FIG.4

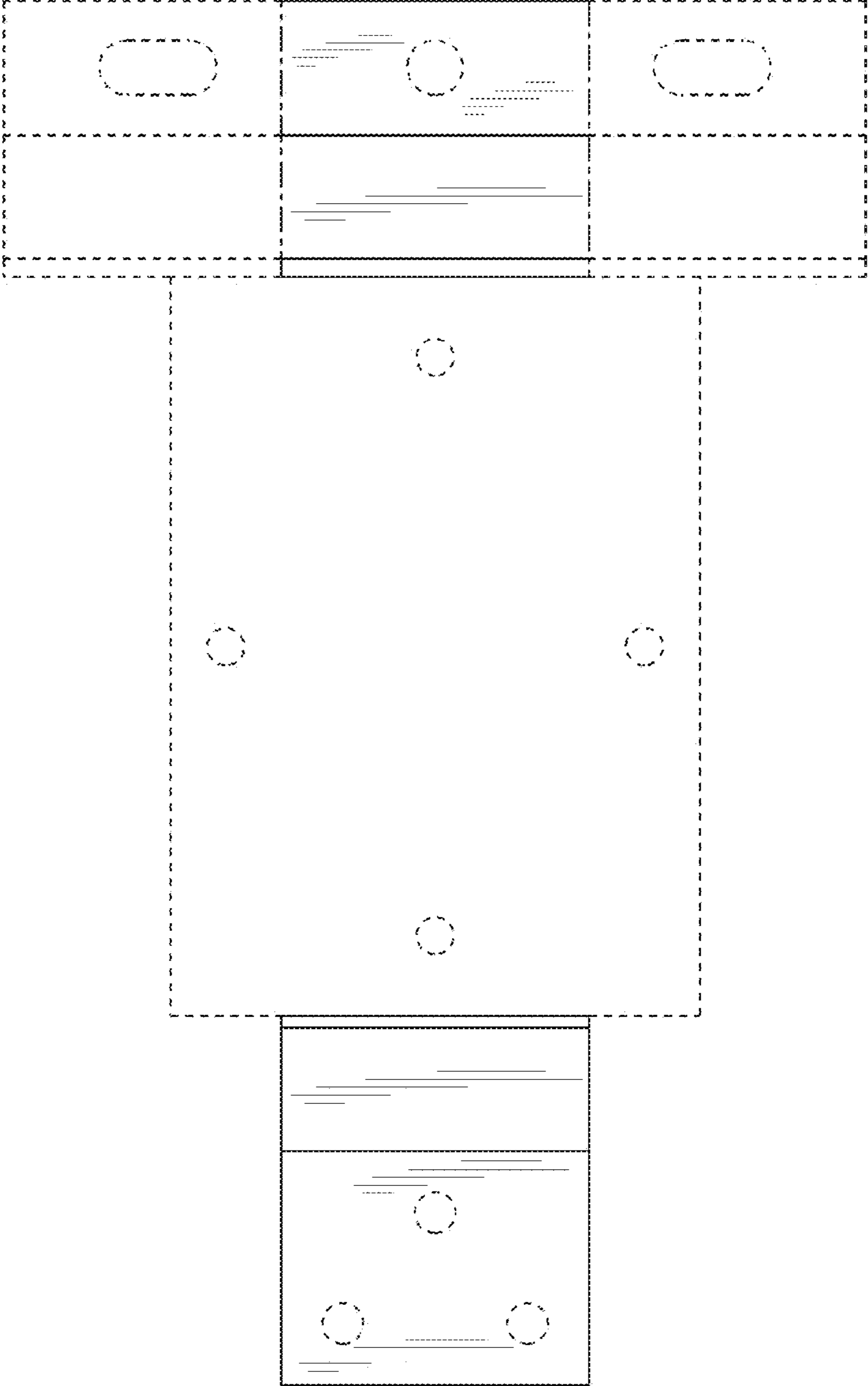


FIG.5

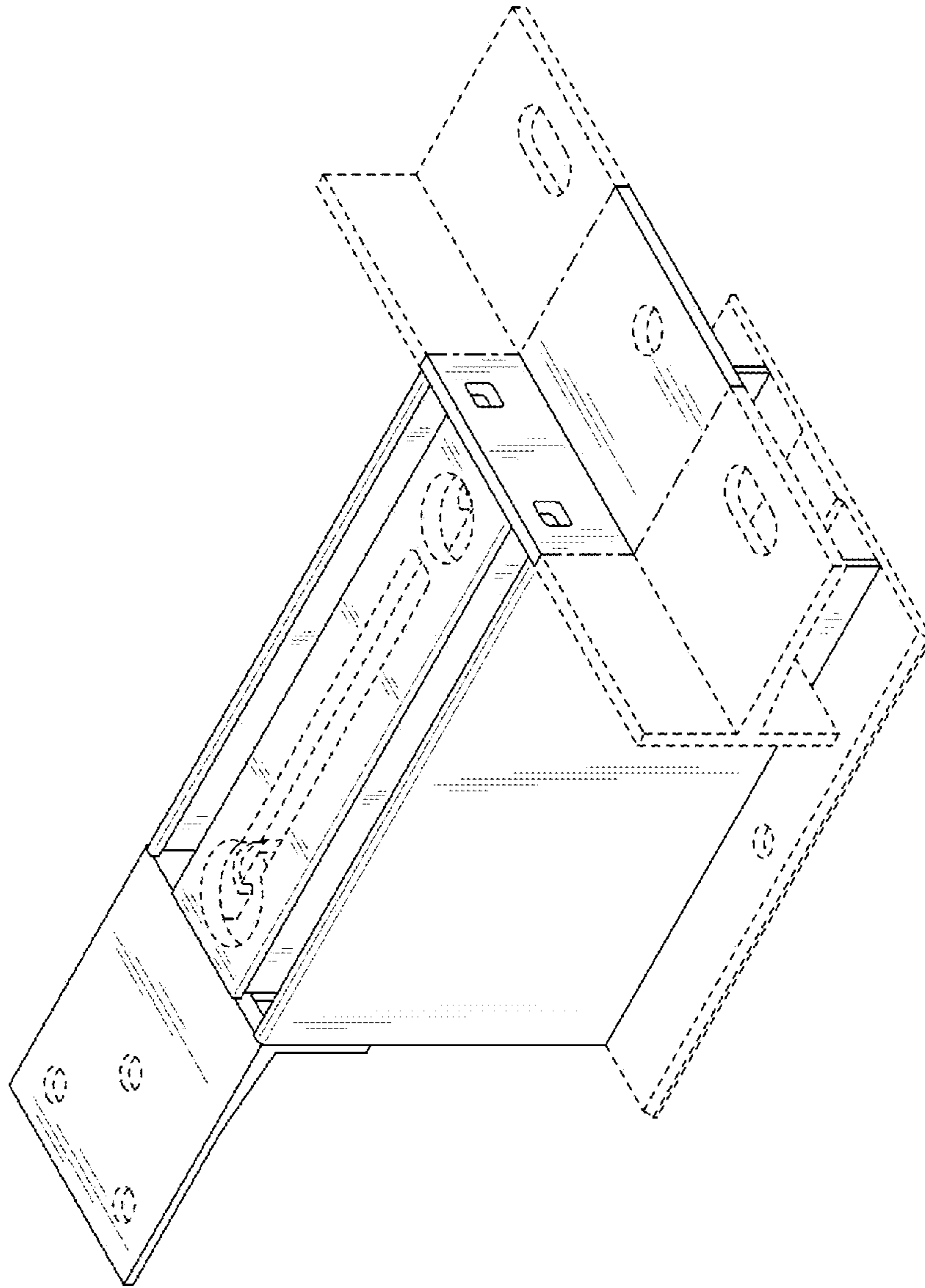


FIG.6

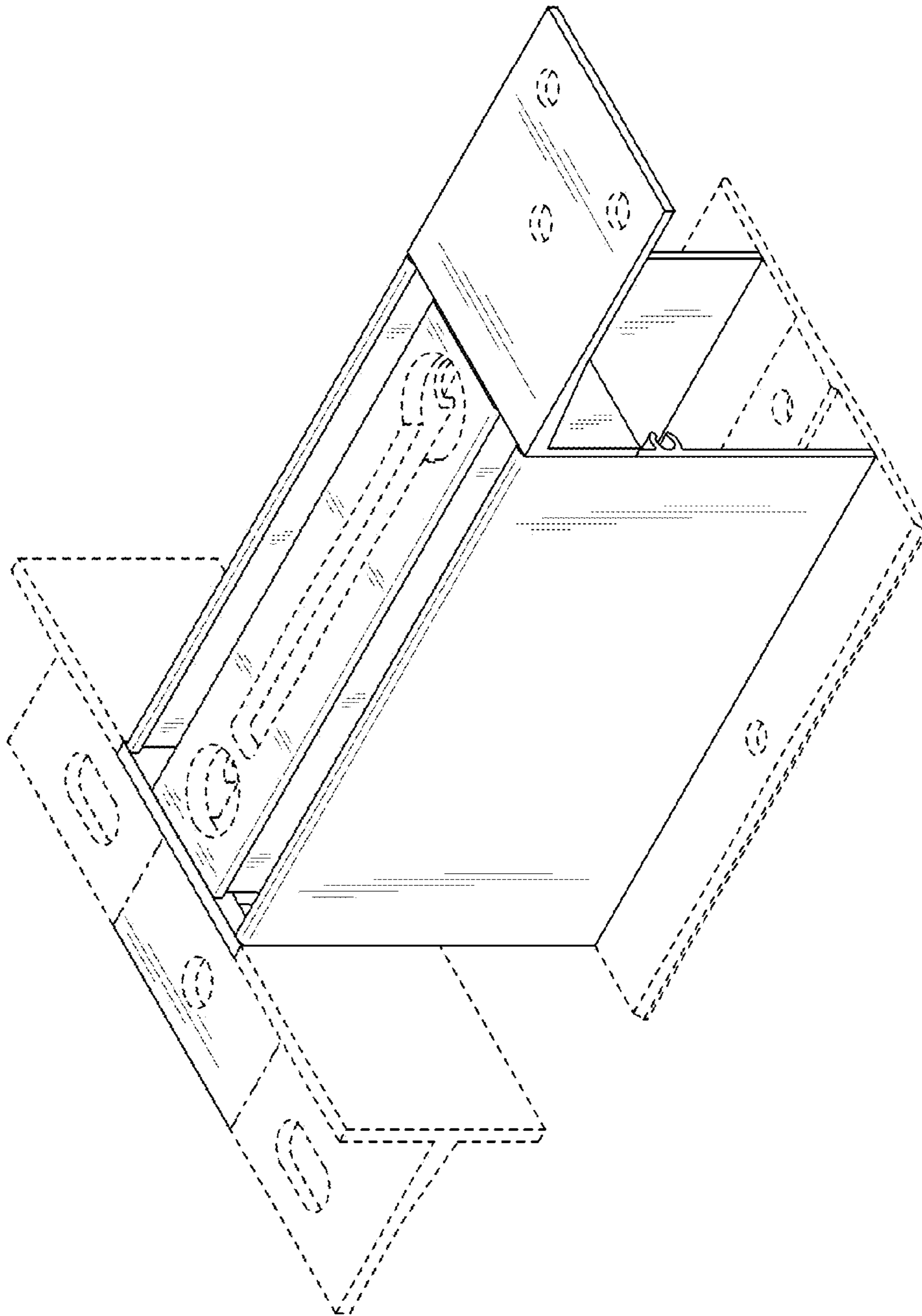


FIG.7