



US00D737663S

(12) **United States Design Patent**
Kandakur et al.

(10) **Patent No.:** **US D737,663 S**
(45) **Date of Patent:** **** Sep. 1, 2015**

(54) **PIPING BRACKET**

(71) Applicant: **General Electric Company,**
Schenectady, NY (US)

(72) Inventors: **Rajeev Kandakur,** Bangalore (IN);
Ravindra Reddy Pothula, Bangalore
(IN); **Raghavendra Kalingeri,**
Bangalore (IN); **Andrey Asafiev,**
Moscow (RU)

(73) Assignee: **General Electric Company,**
Schenectady, NY (US)

(**) Term: **14 Years**

(21) Appl. No.: **29/487,414**

(22) Filed: **Apr. 8, 2014**

(51) **LOC (10) Cl.** **08-08**

(52) **U.S. Cl.**
USPC **D8/354; D15/5**

(58) **Field of Classification Search**
USPC D8/349, 354; D15/1-6; 248/121, 200,
248/205.1, 300; 123/184.21
See application file for complete search history.

(56) **References Cited**

U.S. PATENT DOCUMENTS

D267,471 S * 1/1983 Mundorf D8/354
D273,297 S * 4/1984 Nolff D15/5
4,503,680 A * 3/1985 Wood 60/605.1
D330,154 S * 10/1992 Wagner D8/354

5,261,237 A * 11/1993 Benson 60/605.1
5,269,650 A * 12/1993 Benson 415/182.1
5,406,791 A * 4/1995 Bauer 60/322
D362,384 S * 9/1995 Middlebrook D8/354
6,101,995 A * 8/2000 Itoh et al. 123/195 A
7,134,282 B2 * 11/2006 Squires 60/605.3
D670,311 S * 11/2012 Turek D15/4
2007/0262222 A1 * 11/2007 Steigert et al. 248/300
2011/0277466 A1 * 11/2011 Danielewicz et al. 60/598
2012/0255528 A1 * 10/2012 Gunkel et al. 123/562

* cited by examiner

Primary Examiner — Mark Goodwin

(74) *Attorney, Agent, or Firm* — GE Global Patent Operation

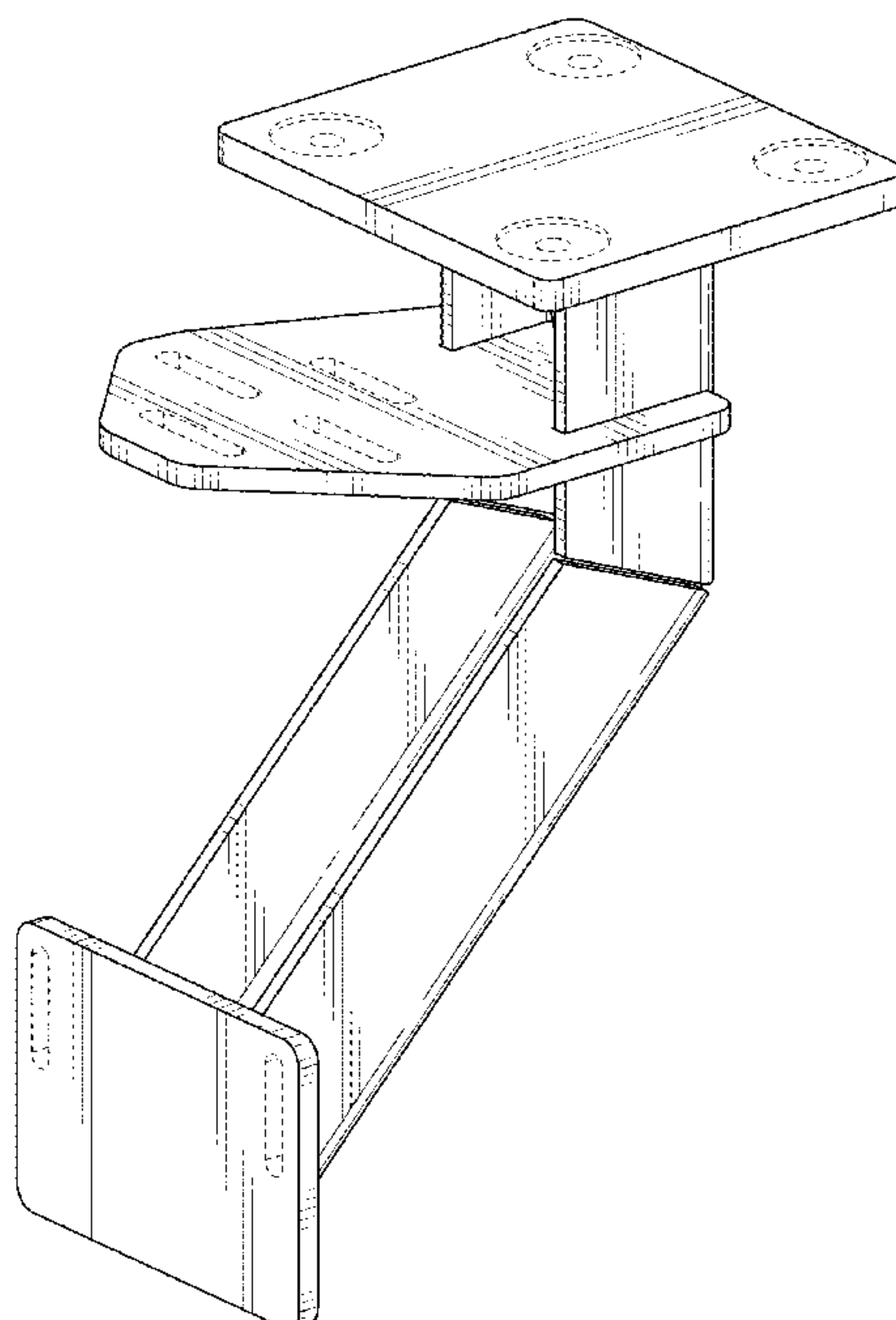
(57) **CLAIM**

The ornamental design for a piping bracket, as shown and described.

DESCRIPTION

FIG. 1 is a perspective view of a piping bracket showing our new design;
FIG. 2 is front elevational view thereof;
FIG. 3 is a rear elevational view thereof;
FIG. 4 is a left side elevational view thereof;
FIG. 5 is right side elevational view thereof;
FIG. 6 is a top plan view thereof; and,
FIG. 7 is a bottom plan view thereof.
The broken line portion of the figures is included to show unclaimed subject matter only and forms no part of the claimed design.

1 Claim, 5 Drawing Sheets



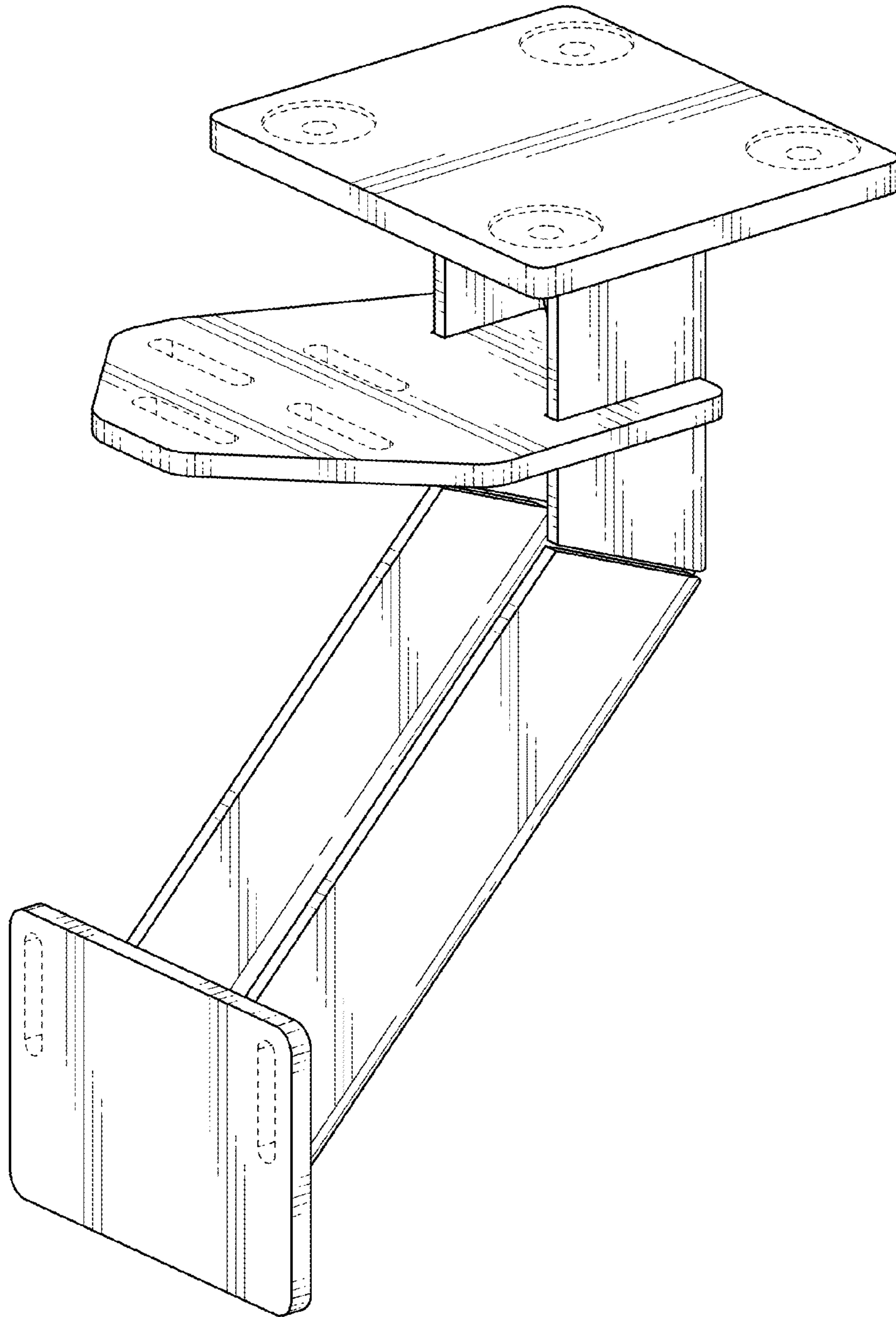


FIG. 1

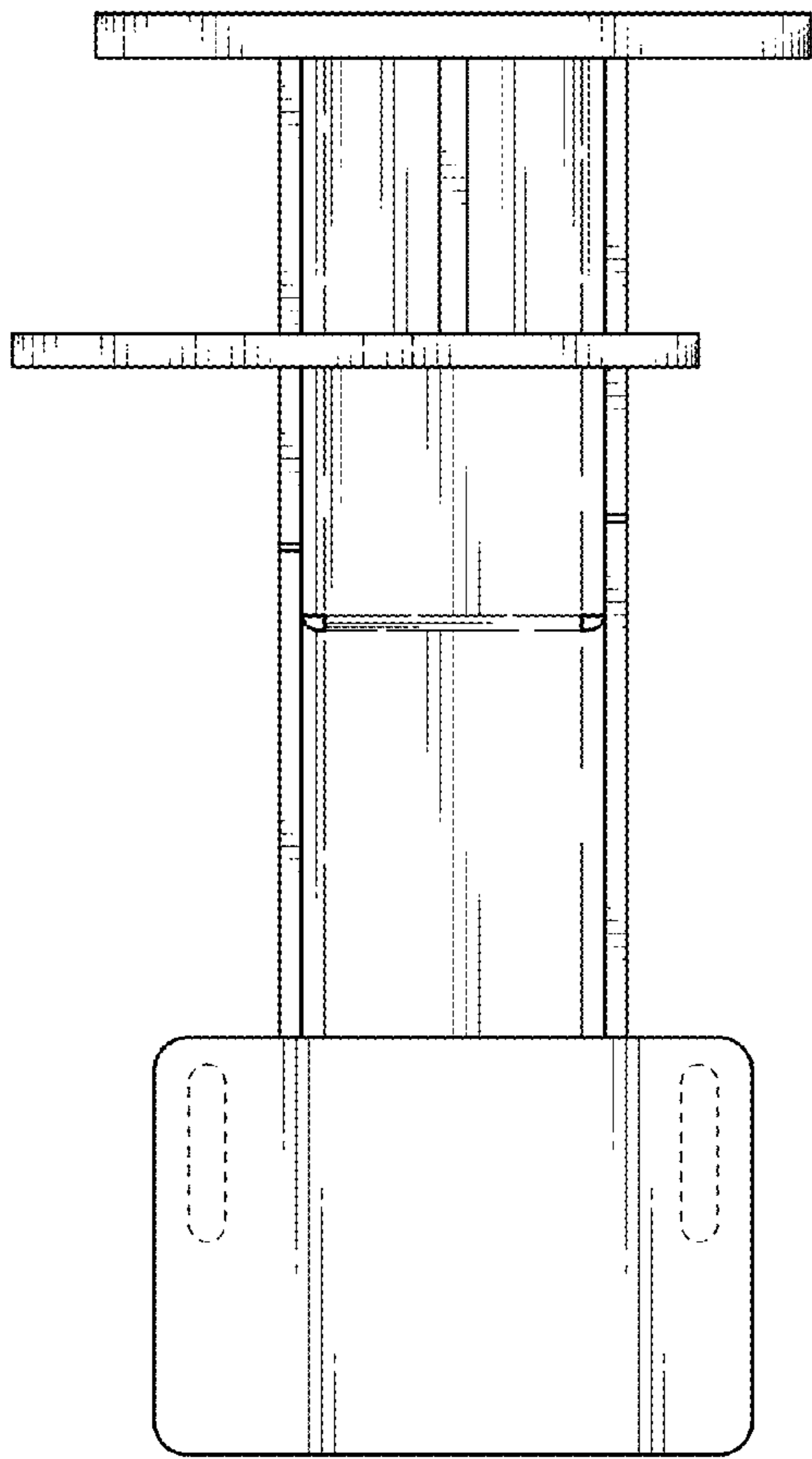


FIG. 2

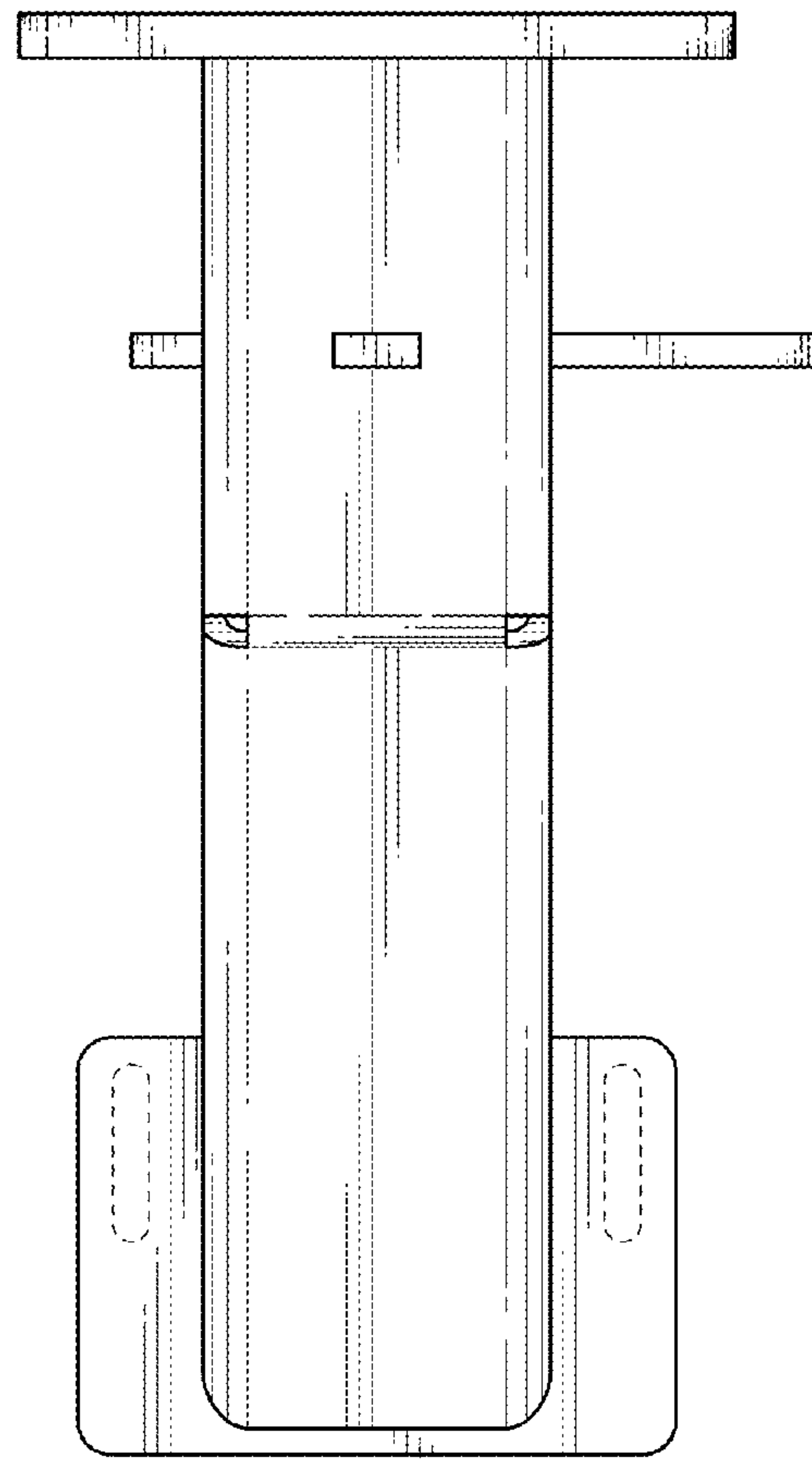


FIG. 3

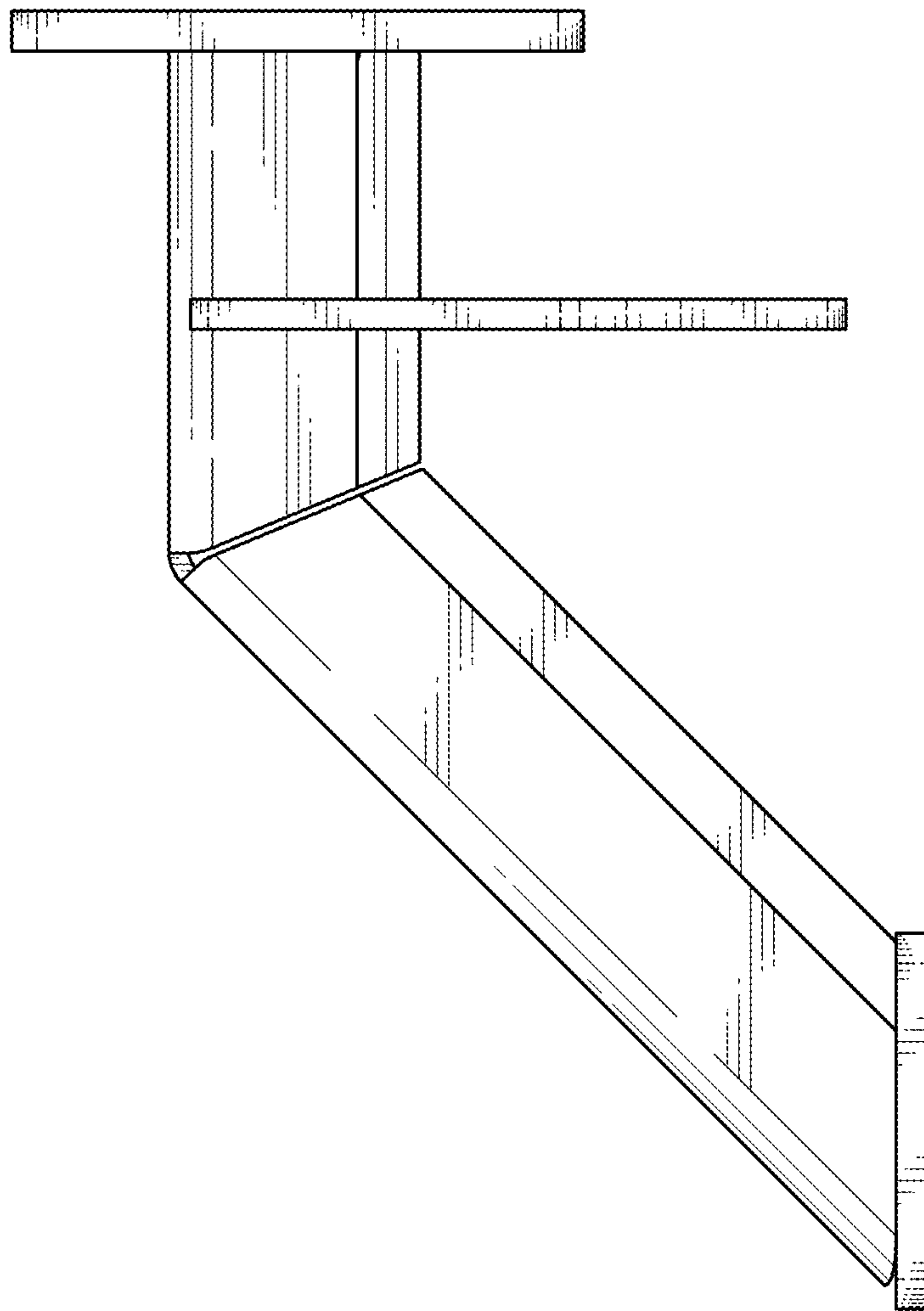


FIG. 4

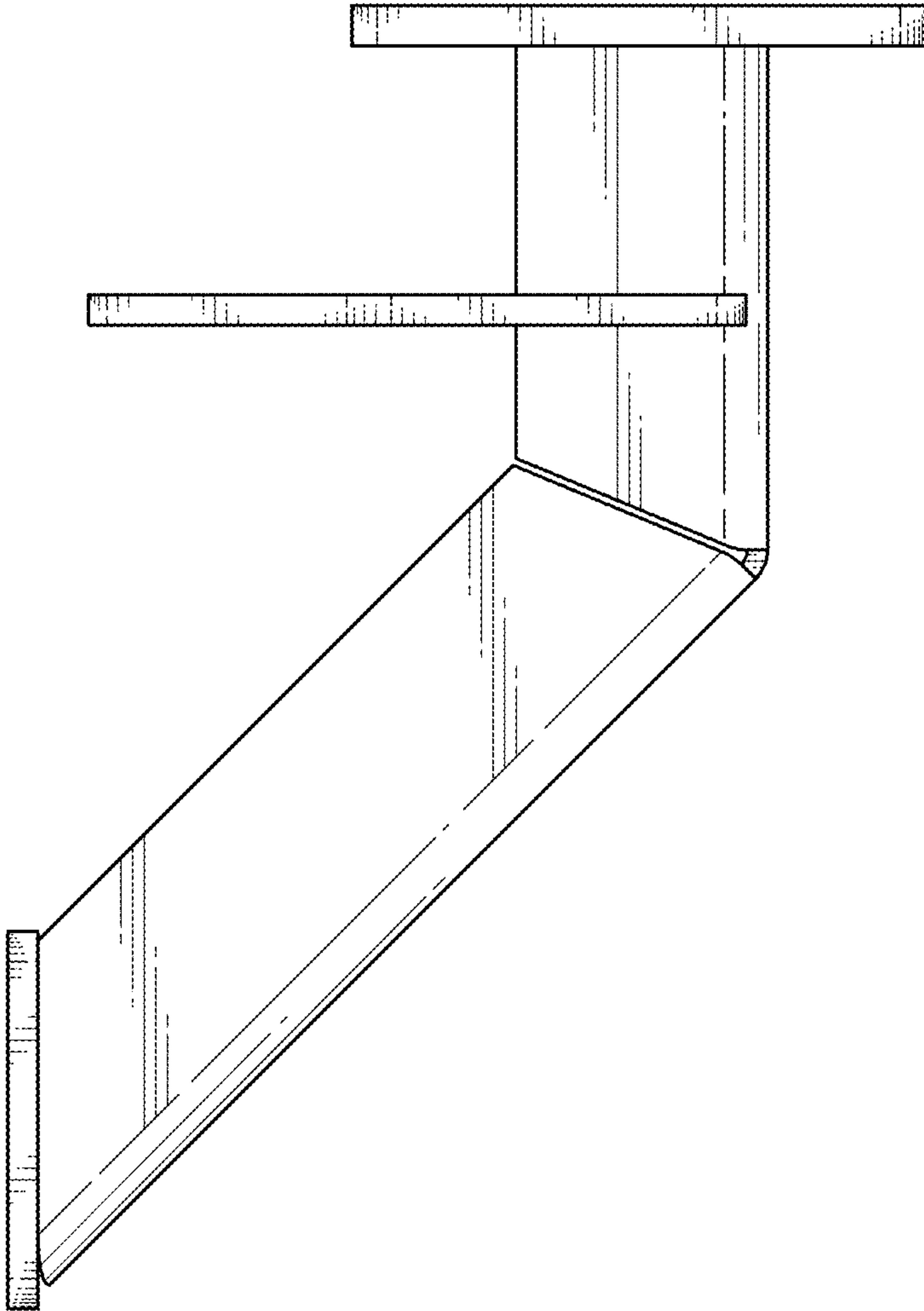


FIG. 5

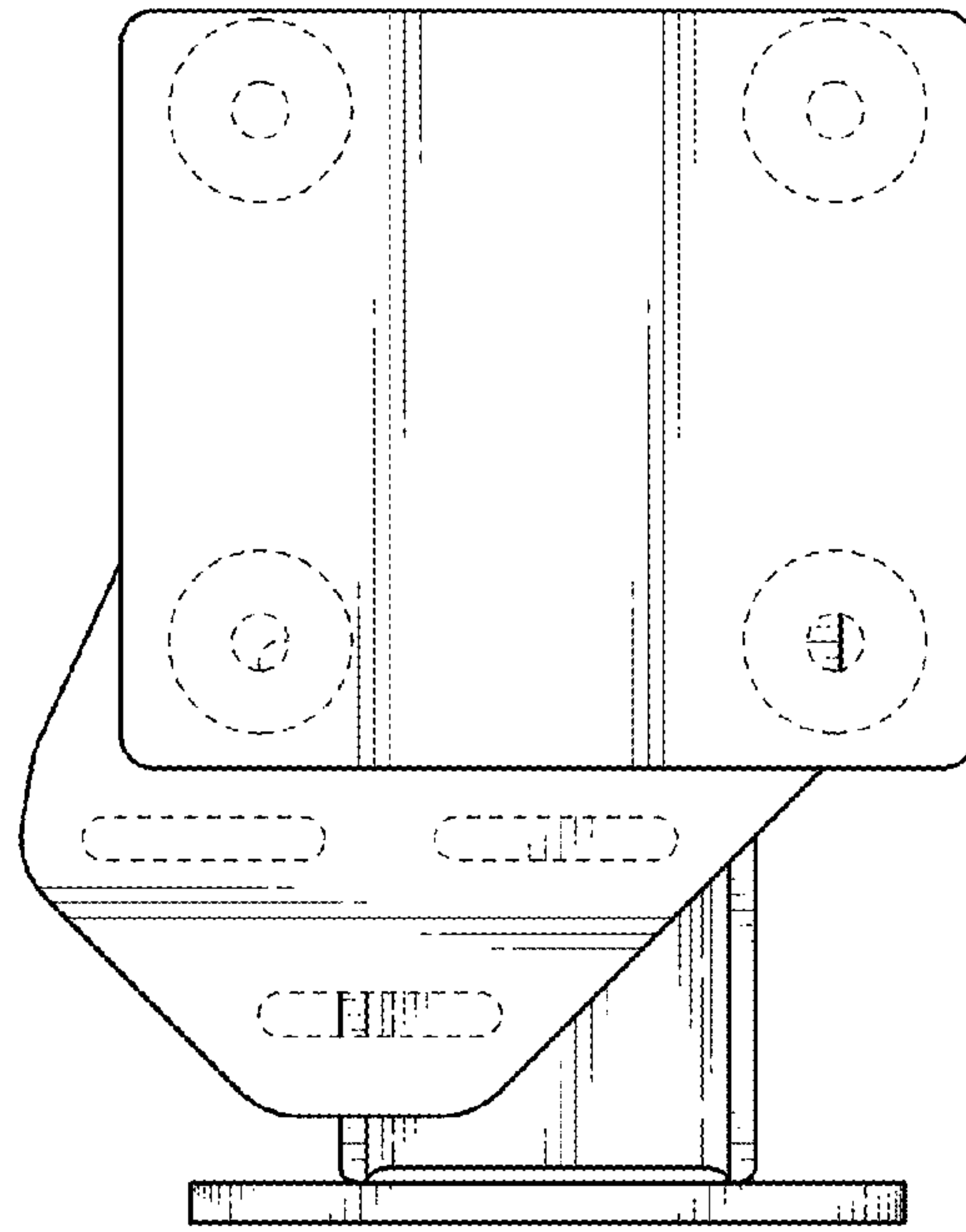


FIG. 6

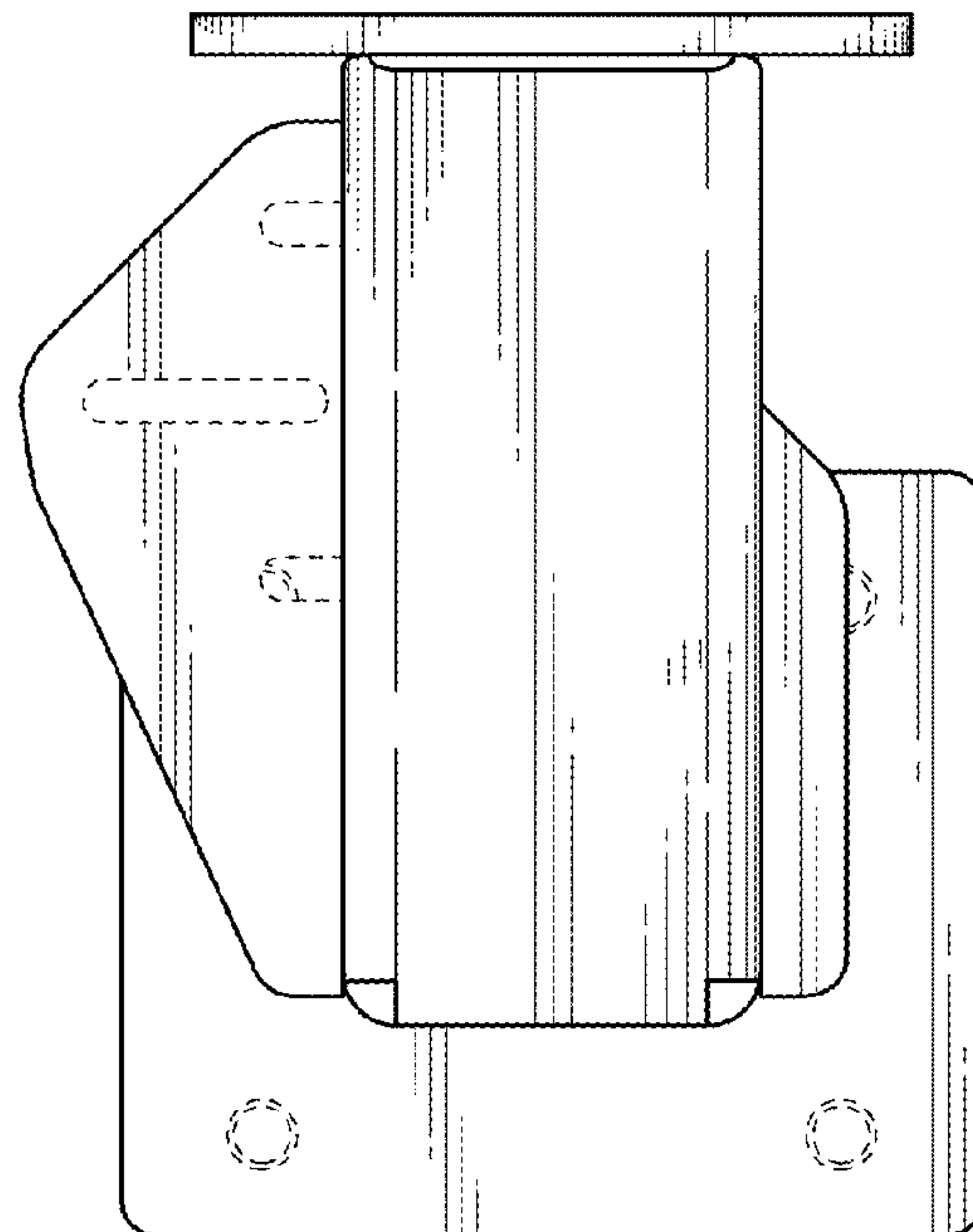


FIG. 7