

US00D737660S

(12) **United States Design Patent**
Santeler et al.

(10) **Patent No.:** **US D737,660 S**
(45) **Date of Patent:** **** Sep. 1, 2015**

(54) **STAND FOR CARBON DIOXIDE HORN AND ACCESSORY**

(71) Applicant: **Quark Limited, LDC**, Belize (BZ)

(72) Inventors: **Donald A. Santeler**, Genoa, IL (US);
Robert W. Hallock, Chicago, IL (US)

(73) Assignee: **Quark Limited, LDC**, Belize (BZ)

(**) Term: **14 Years**

(21) Appl. No.: **29/444,935**

(22) Filed: **Feb. 6, 2013**

(51) **LOC (10) Cl.** **08-05**

(52) **U.S. Cl.**
USPC **D8/349**

(58) **Field of Classification Search**
USPC D8/349, 354, 71; 248/121, 125.1, 127,
248/153, 173, 175
CPC F16L 3/00
See application file for complete search history.

(56) **References Cited**

U.S. PATENT DOCUMENTS

1,192,313	A	7/1916	Howell	
1,674,493	A	6/1928	Adams	
1,873,672	A	8/1932	Theys	
1,933,919	A	11/1933	McPherson	
2,003,837	A	6/1935	Skoglund	
2,442,904	A	6/1948	Reeh	
2,792,257	A	5/1957	Davis	
2,924,412	A	2/1960	Anderson	
3,334,852	A	8/1967	Sumida et al.	
D260,338	S	8/1981	Savage	
D335,435	S *	5/1993	Lawson D8/71

6,127,612	A	10/2000	Yu	
D434,299	S *	11/2000	McAtee D8/71
6,145,639	A	11/2000	Roper	
D440,477	S *	4/2001	Pappas D8/71
6,513,768	B1 *	2/2003	Hsieh 248/121
D473,384	S	4/2003	Ingles	
D594,253	S	6/2009	Lippert et al.	
D611,269	S	3/2010	Lippert et al.	
D646,505	S *	10/2011	Eason D6/682.3
2009/0217801	A1	9/2009	Hsieh	

* cited by examiner

Primary Examiner — Holly Baynham

(57) **CLAIM**

The ornamental design for stand for carbon dioxide horn and accessory, as shown and described.

DESCRIPTION

FIG. 1 is a back and side perspective view of the stand for carbon dioxide horn and accessory showing a new ornamental design thereof;

FIG. 2 is a left side view of the stand for carbon dioxide horn and accessory shown in FIG. 1 when viewed from the front with the right side being a mirror image of same;

FIG. 3 is a front view of the stand for carbon dioxide horn and accessory shown in FIG. 1;

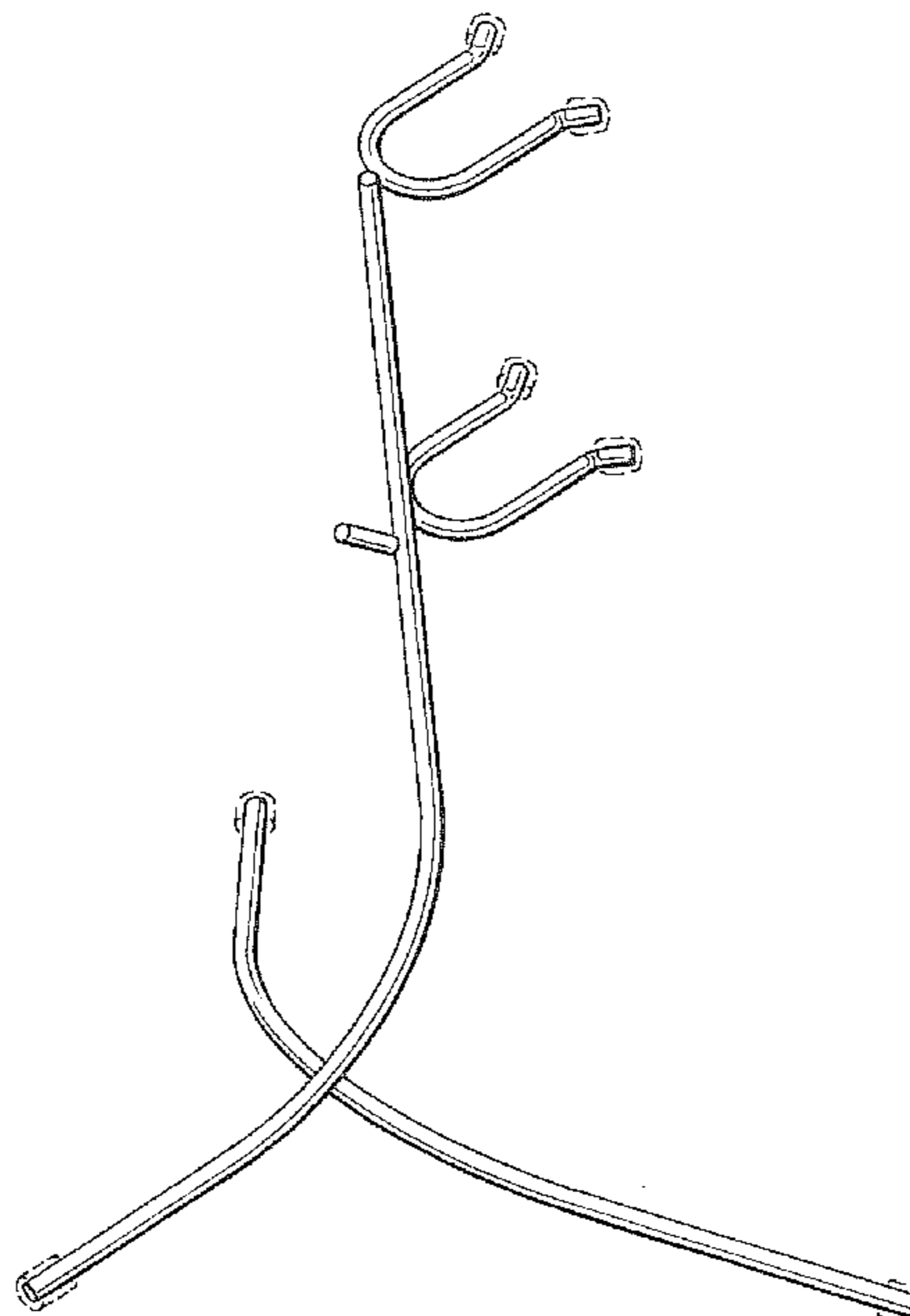
FIG. 4 is a back view of the stand for carbon dioxide horn and accessory shown in FIG. 1;

FIG. 5 is a top view of the stand for carbon dioxide horn and accessory shown in FIG. 1; and,

FIG. 6 is a bottom view of the stand for carbon dioxide horn and accessory shown in FIG. 1.

The broken lines showing caps for the stand are for the purposes of illustrating environment and form no part of the claimed design.

1 Claim, 3 Drawing Sheets



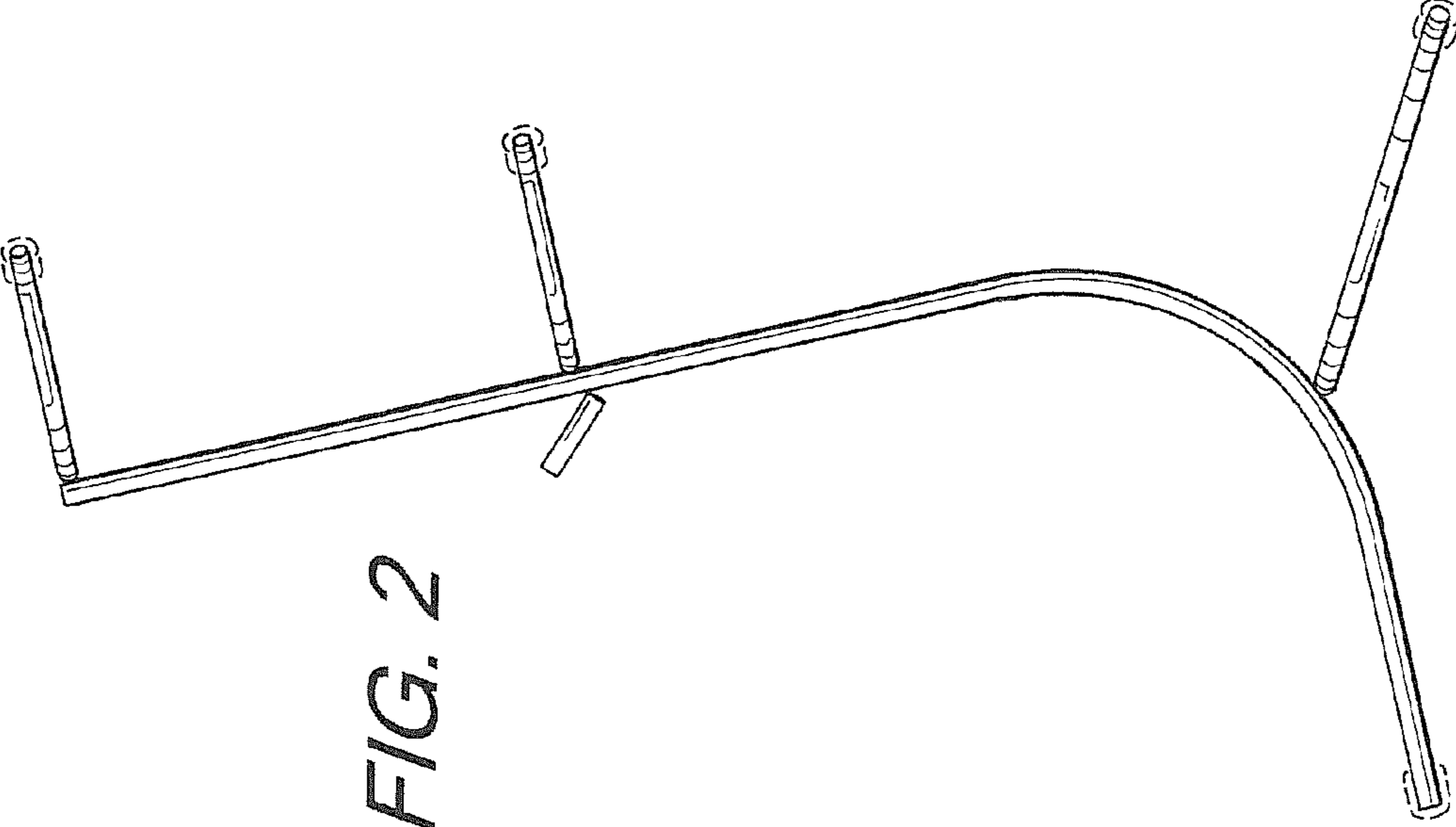


FIG. 2

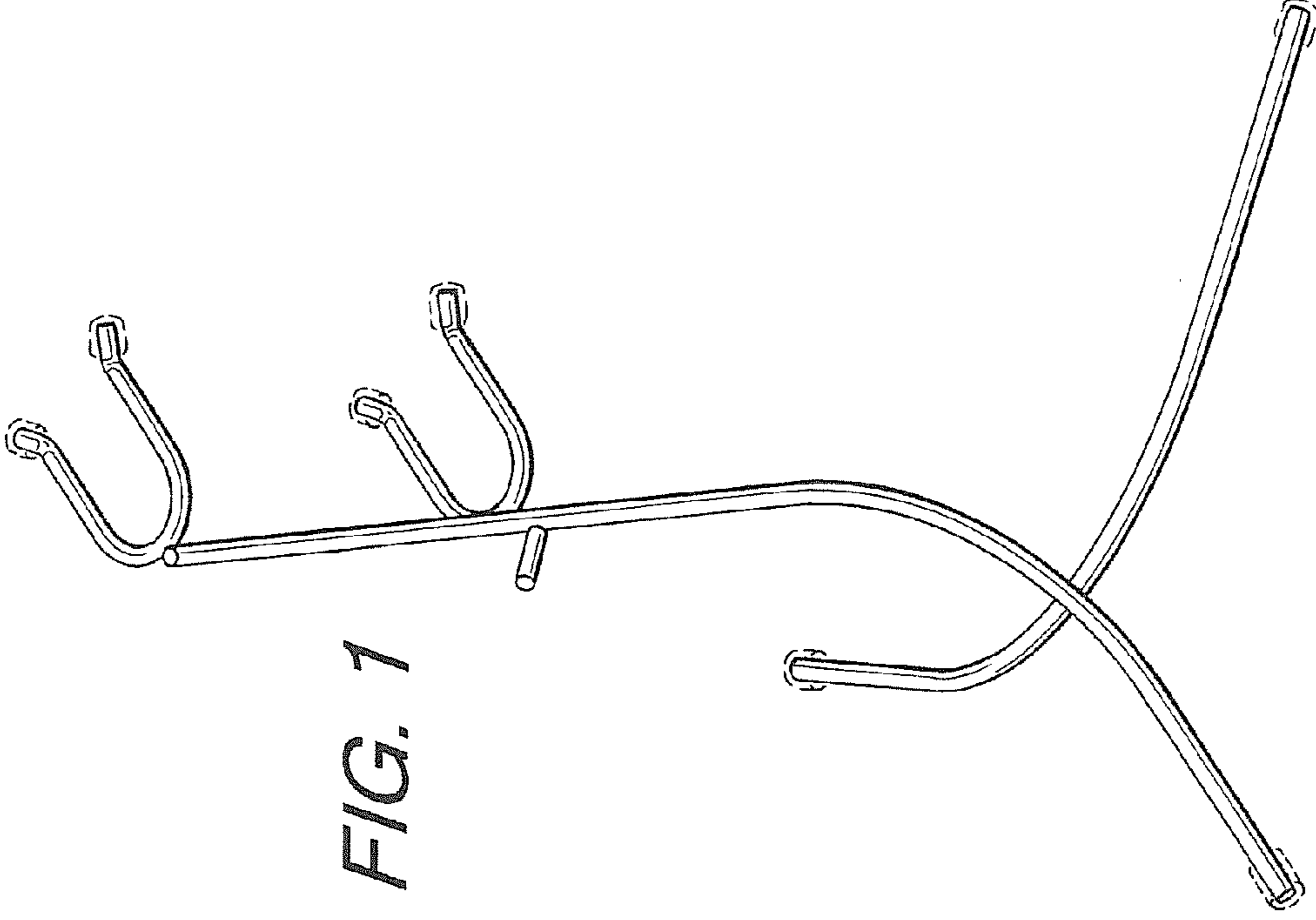


FIG. 1

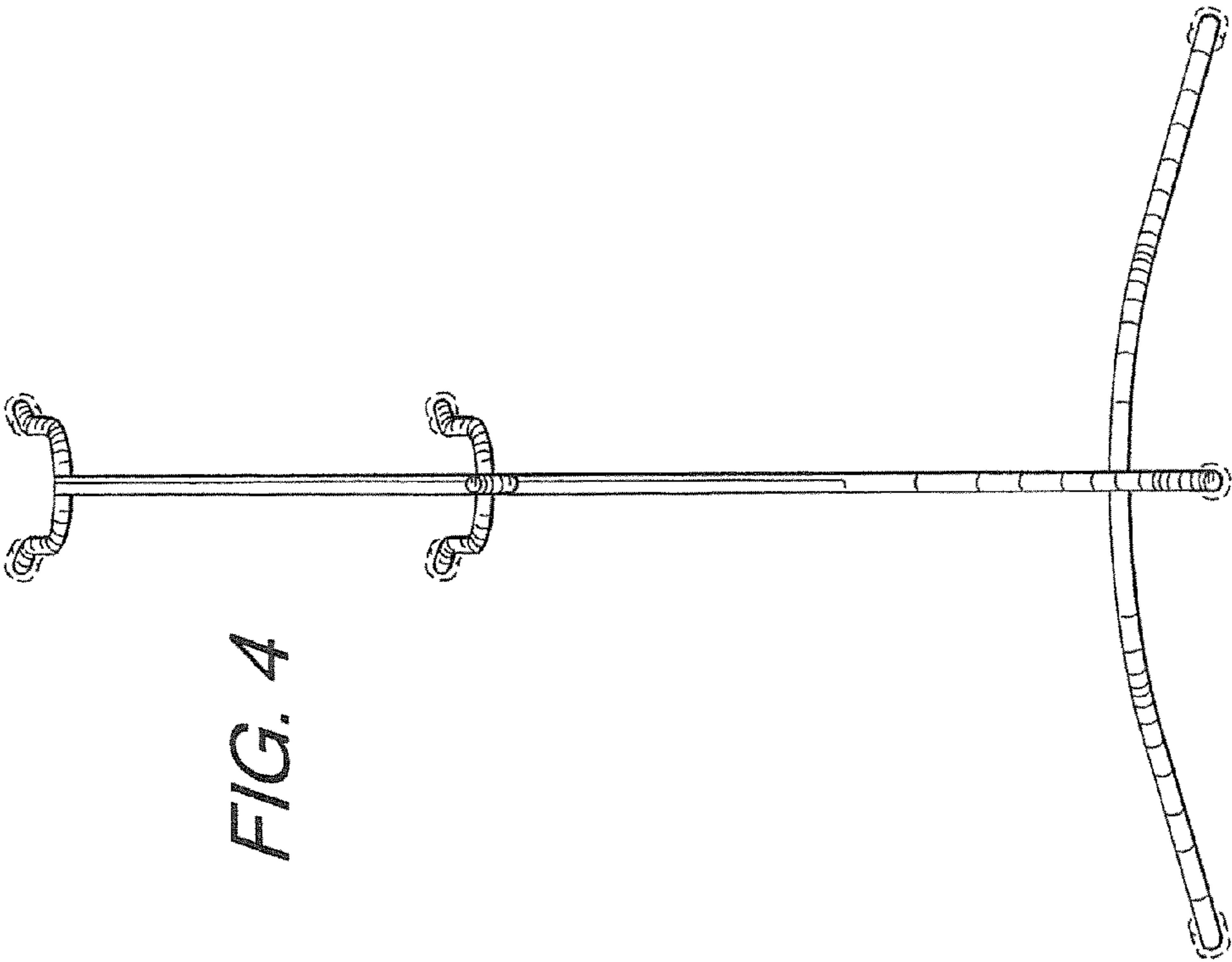


FIG. 4

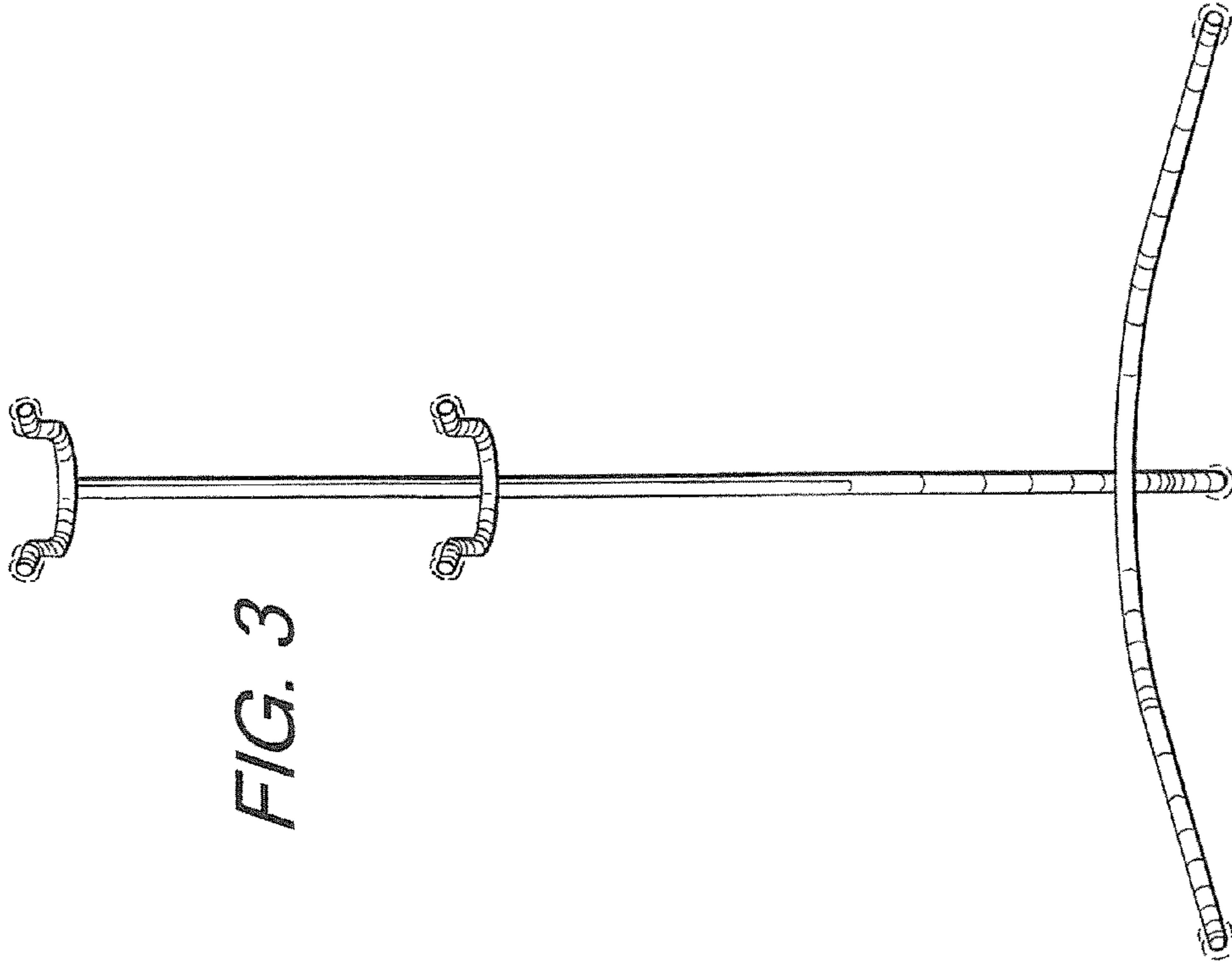


FIG. 3

FIG. 6

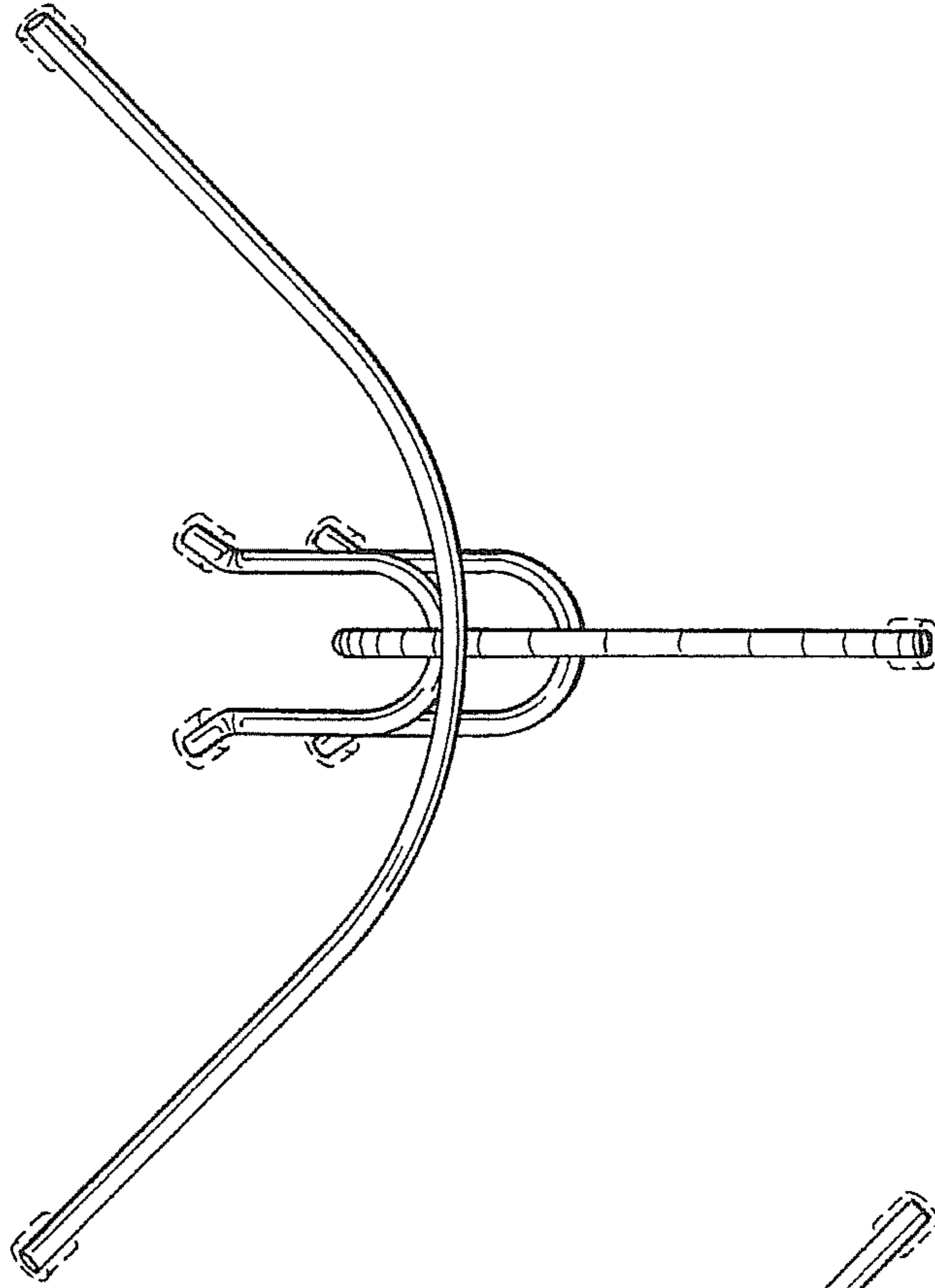


FIG. 5

