



US00D737657S

(12) **United States Design Patent**  
**Nadgouda**

(10) **Patent No.:** **US D737,657 S**

(45) **Date of Patent:** **\*\* Sep. 1, 2015**

(54) **SWORDFISH ELECTRONIC LOCK  
INTERIOR ESCUTCHEON**

(71) Applicant: **Schlage Lock Company LLC,**  
Indianapolis, IN (US)

(72) Inventor: **Chandrashekhar Subhash Nadgouda,**  
Bangalore Karnataka (IN)

(73) Assignee: **Schlage Lock Company LLC,**  
Indianapolis, IN (US)

(\*\*) Term: **14 Years**

(21) Appl. No.: **29/492,705**

(22) Filed: **Jun. 2, 2014**

(51) **LOC (10) Cl.** ..... **08-07**

(52) **U.S. Cl.**  
USPC ..... **D8/331; D8/350**

(58) **Field of Classification Search**  
USPC ..... D8/330, 331, 334, 300, 301, 350;  
70/14, 20-22, 57, 57.1, 284-286, 314,  
70/DIG. 44, 266, 277, 271  
CPC ..... E05B 9/00; E05B 9/02; E05B 2009/006;  
E05B 49/00  
See application file for complete search history.

(56) **References Cited**

**U.S. PATENT DOCUMENTS**

3,041,720 A \* 7/1962 Pantas ..... 72/341  
5,433,333 A \* 7/1995 Martell ..... 220/243  
D365,976 S \* 1/1996 Chiu ..... D8/330

5,564,294 A \* 10/1996 Chen ..... 70/1  
D453,899 S \* 2/2002 LaPlume et al. .... D8/352  
D494,841 S \* 8/2004 Moon et al. .... D8/352  
D513,469 S \* 1/2006 Gao et al. .... D8/350  
7,091,429 B2 \* 8/2006 Case et al. .... 200/5 A  
7,984,631 B2 \* 7/2011 Case et al. .... 70/278.1  
D696,569 S \* 12/2013 Luo ..... D8/331

\* cited by examiner

*Primary Examiner* — Prabhakar Deshmukh

(74) *Attorney, Agent, or Firm* — Taft Stettinius & Hollister  
LLP

(57) **CLAIM**

The ornamental design for a swordfish electronic lock interior  
escutcheon, as shown and described.

**DESCRIPTION**

FIG. 1 is an upper-left front perspective view of the swordfish  
electronic lock interior escutcheon.

FIG. 2 is a front view of the swordfish electronic lock interior  
escutcheon.

FIG. 3 is a right side view of the swordfish electronic lock  
interior escutcheon.

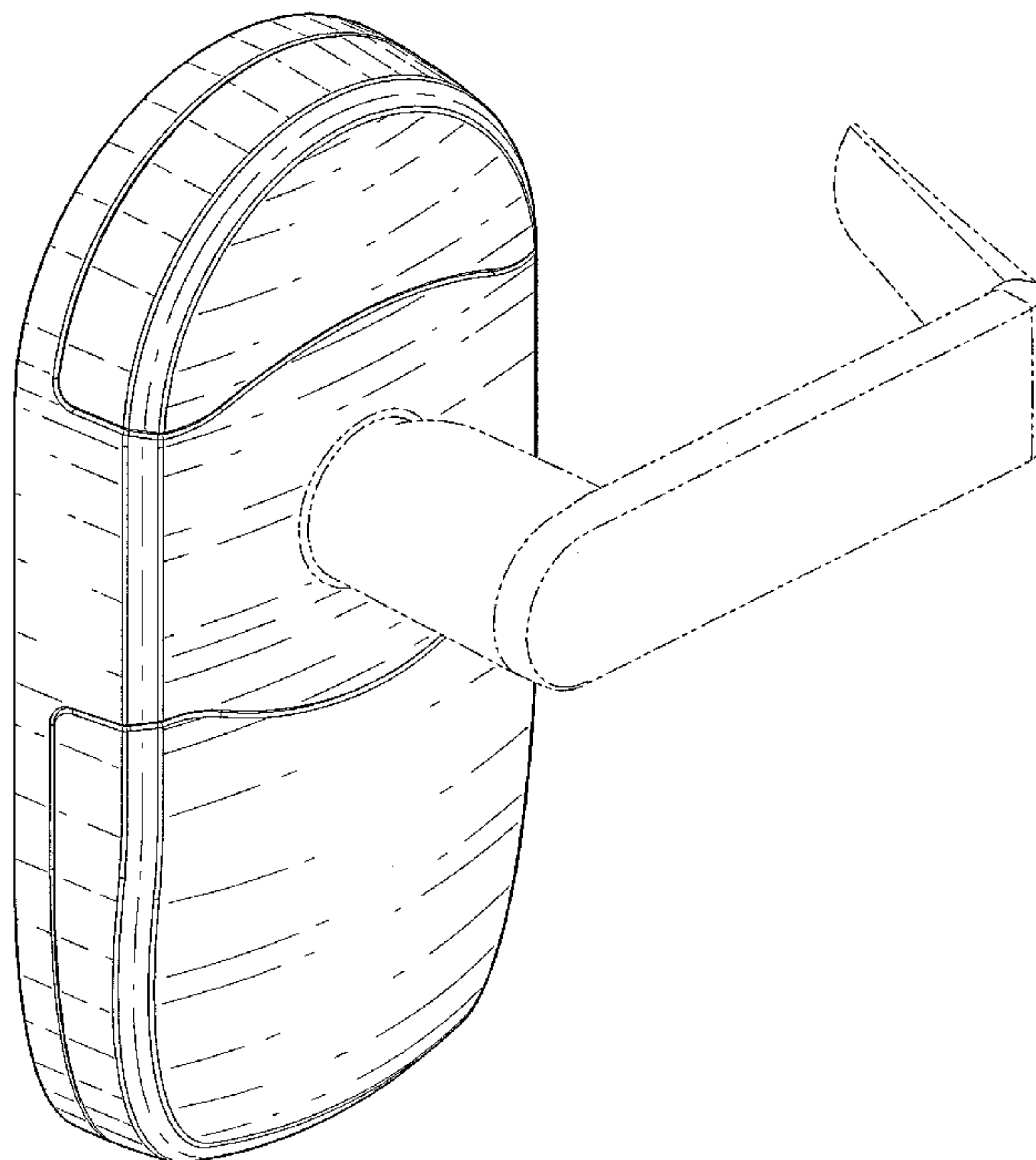
FIG. 4 is a left side view of the swordfish electronic lock  
interior escutcheon.

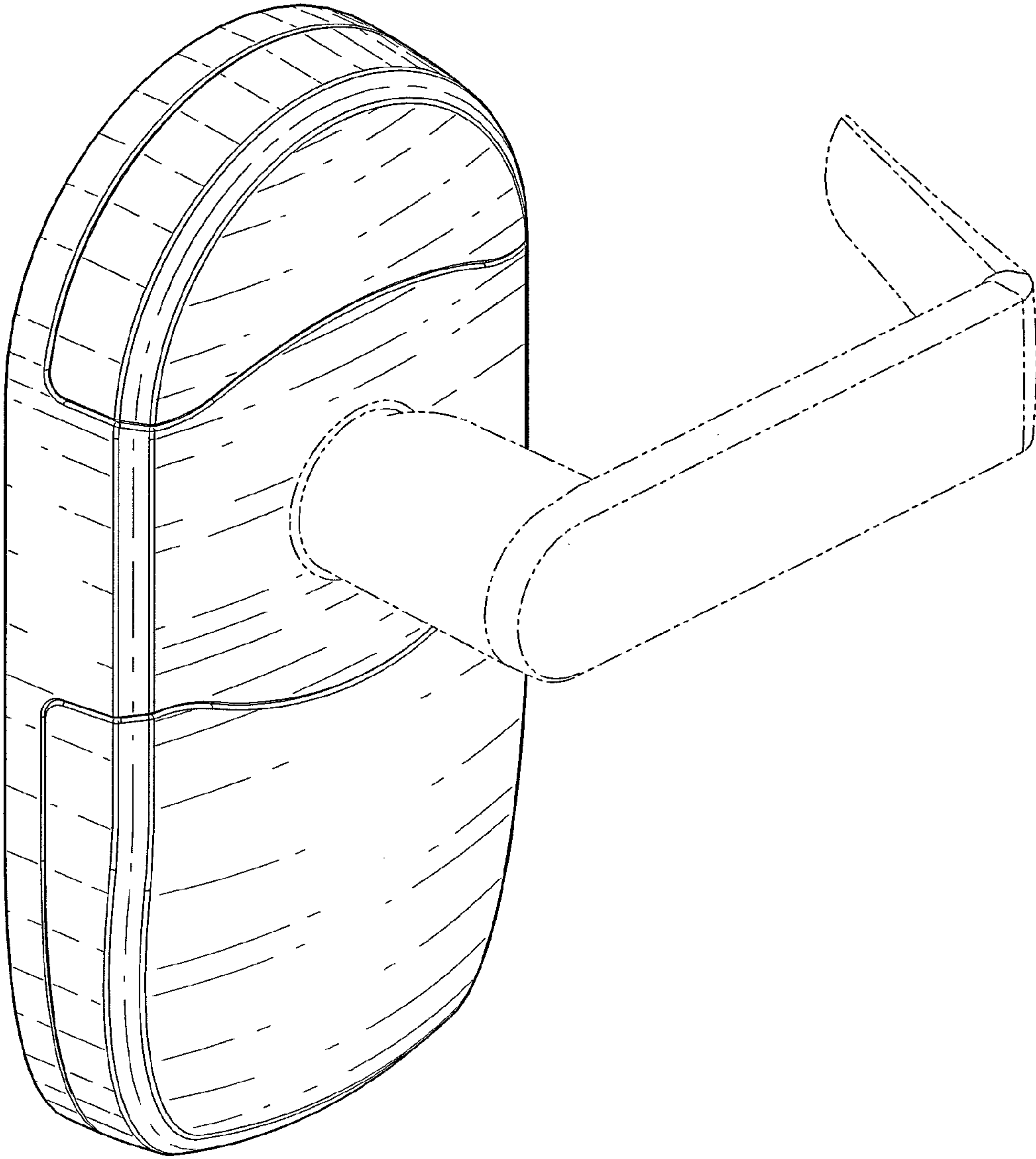
FIG. 5 is a top view of the swordfish electronic lock interior  
escutcheon; and,

FIG. 6 is a bottom view of the swordfish electronic lock  
interior escutcheon.

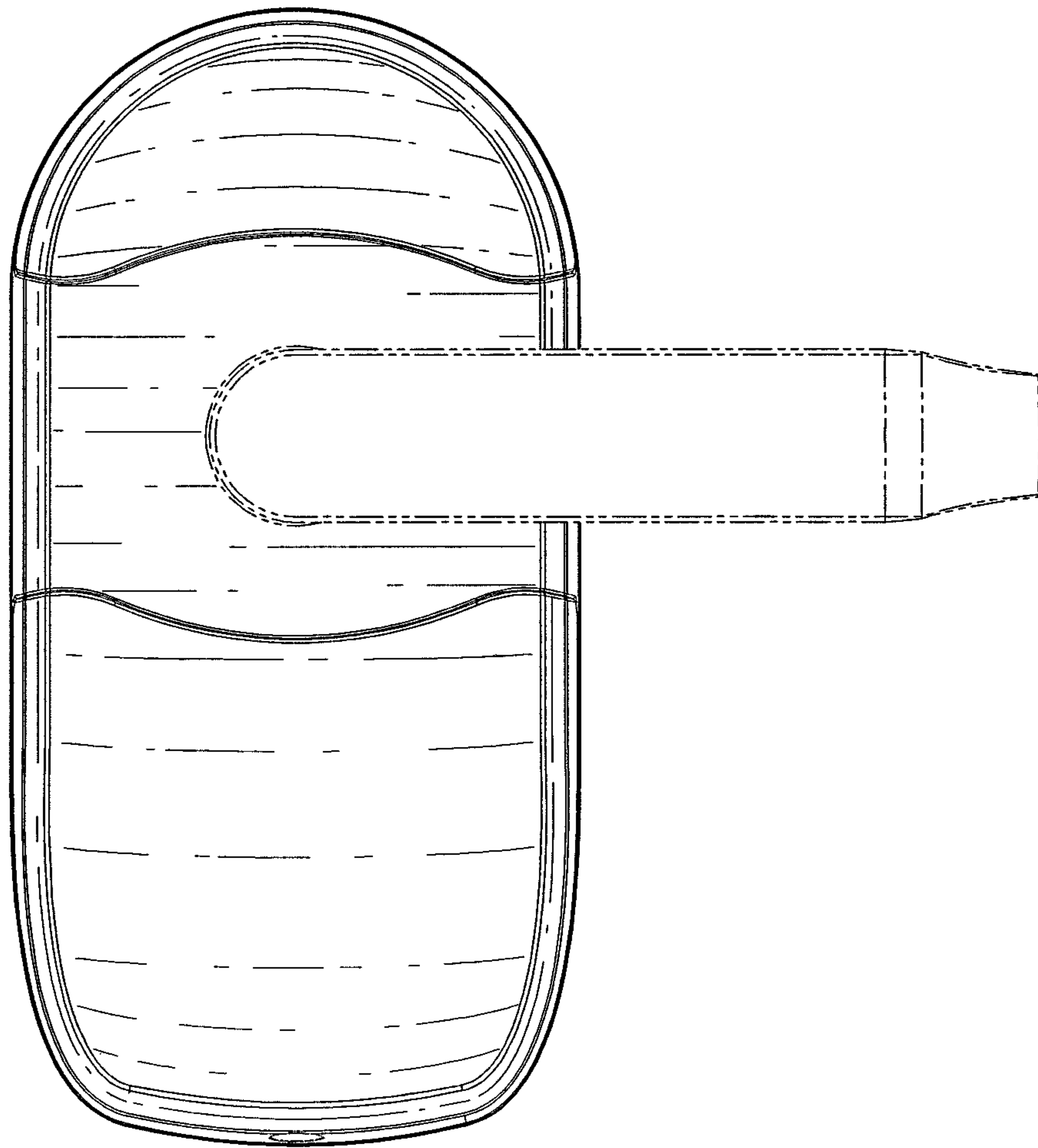
The broken lines are for the purpose of showing exemplary  
hardware associated with the swordfish electronic lock interior  
escutcheon, and they form no part of the claimed design.

**1 Claim, 4 Drawing Sheets**





**Fig. 1**



**Fig. 2**

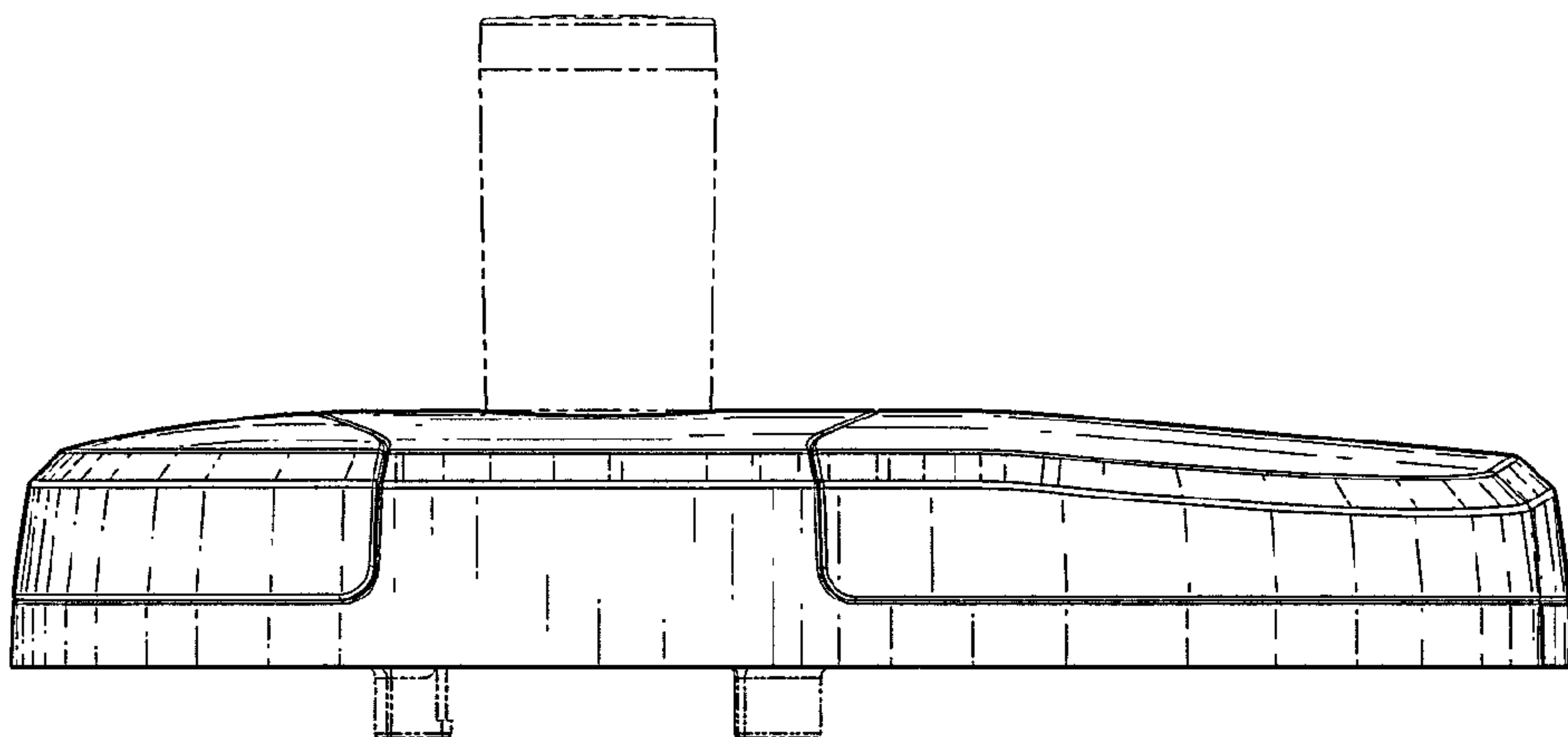


Fig. 4

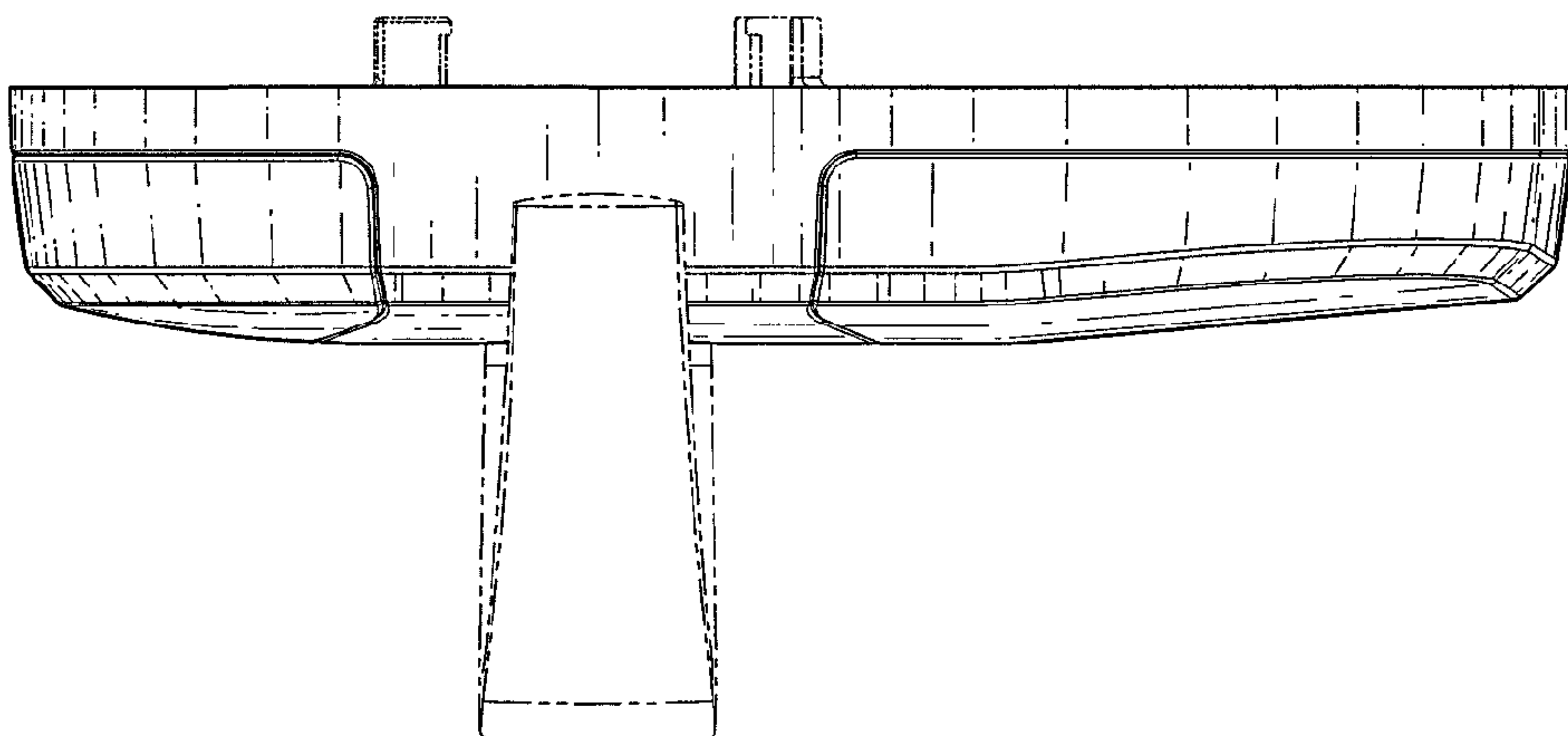
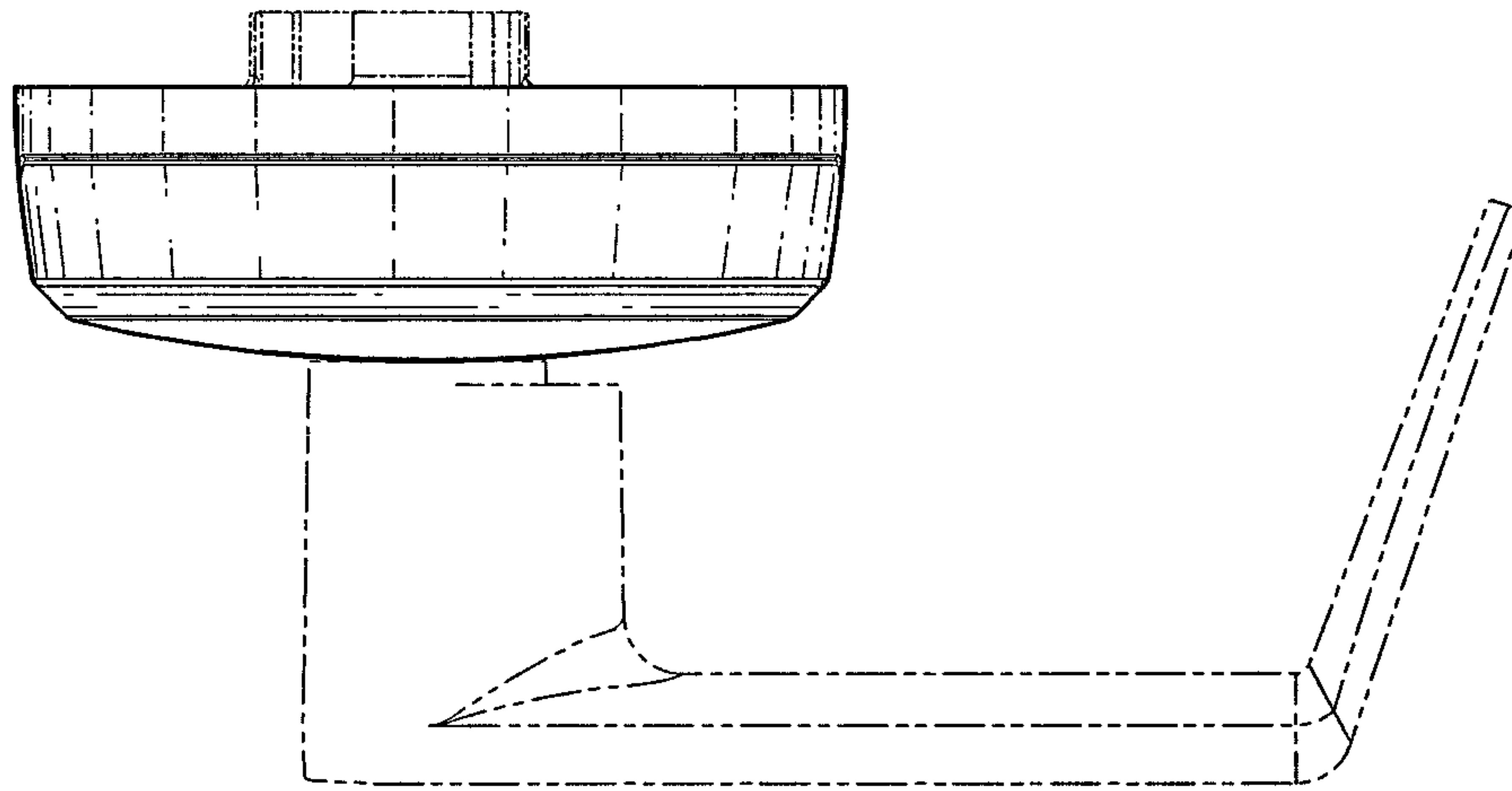
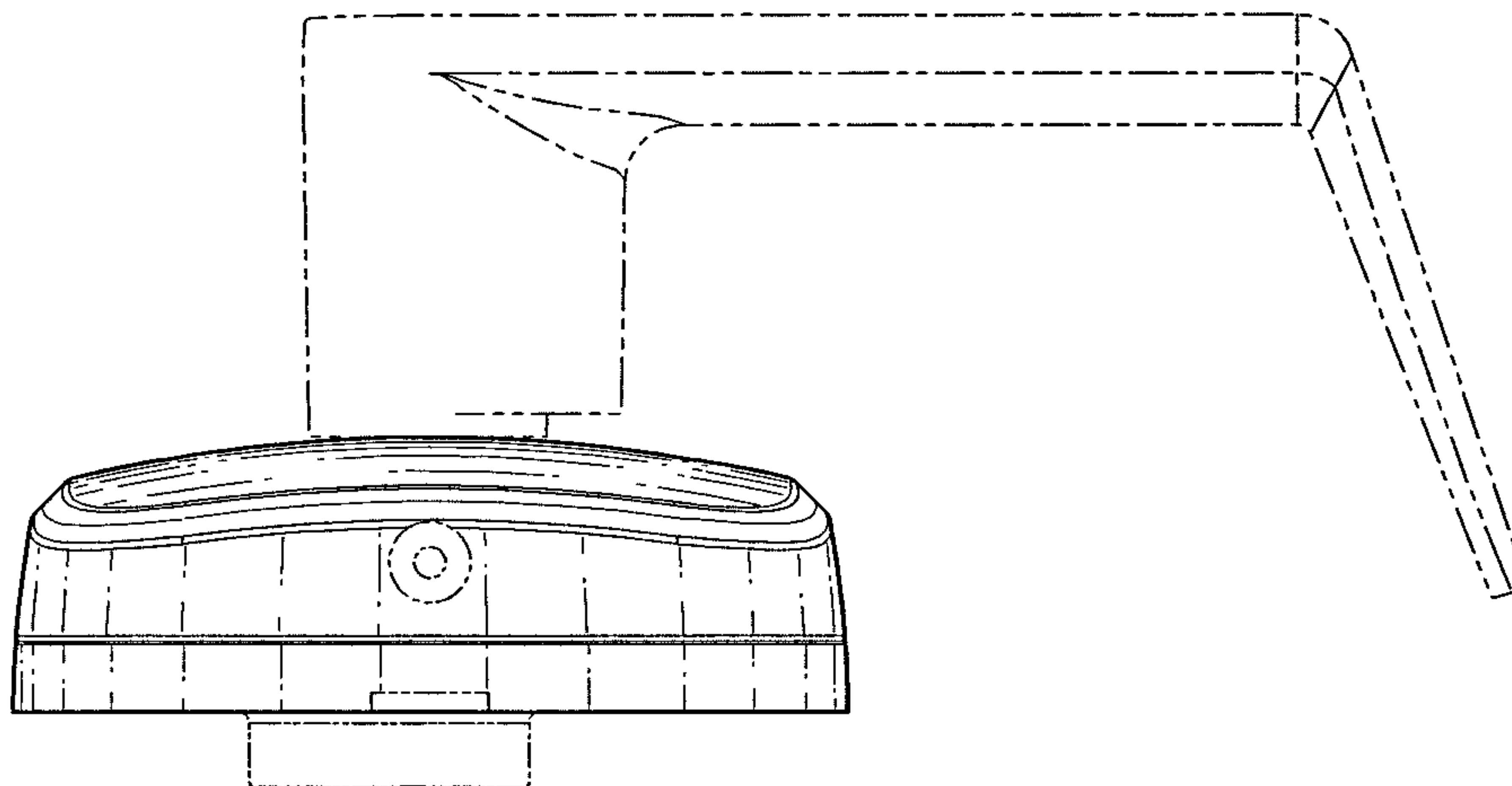


Fig. 3



**Fig. 5**



**Fig. 6**