



US00D737656S

(12) **United States Design Patent**
Macernis

(10) **Patent No.:** **US D737,656 S**
(45) **Date of Patent:** **** Sep. 1, 2015**

- (54) **GATE STRIKER**
- (71) Applicant: **Audrius Macernis**, Seaford (AU)
- (72) Inventor: **Audrius Macernis**, Seaford (AU)
- (**) Term: **14 Years**
- (21) Appl. No.: **29/485,801**
- (22) Filed: **Mar. 24, 2014**
- (51) **LOC (10) Cl.** **08-07**
- (52) **U.S. Cl.**
USPC **D8/331; D8/343**
- (58) **Field of Classification Search**
USPC D8/330, 331, 336, 339, 343, 344, 340;
70/135-139, 484, 485, 73, 77, 101,
70/102, 95-97, 150, 154, 155, DIG. 78;
292/194, 216, 219, 220, 224, 210,
292/DIG. 13, DIG. 29, DIG. 37, DIG. 46
CPC E05B 65/06
See application file for complete search history.

6,425,612	B1 *	7/2002	Schaeffer	292/341.17
D569,707	S *	5/2008	Antkowiak et al.	D8/331
D601,403	S *	10/2009	Cosby et al.	D8/331
D605,493	S *	12/2009	Tejszerski	D8/331
D627,622	S *	11/2010	Cosby et al.	D8/331
D646,951	S *	10/2011	Tsai	D8/330
8,127,578	B2 *	3/2012	Karcz et al.	70/135

* cited by examiner

Primary Examiner — Prabhakar Deshmukh

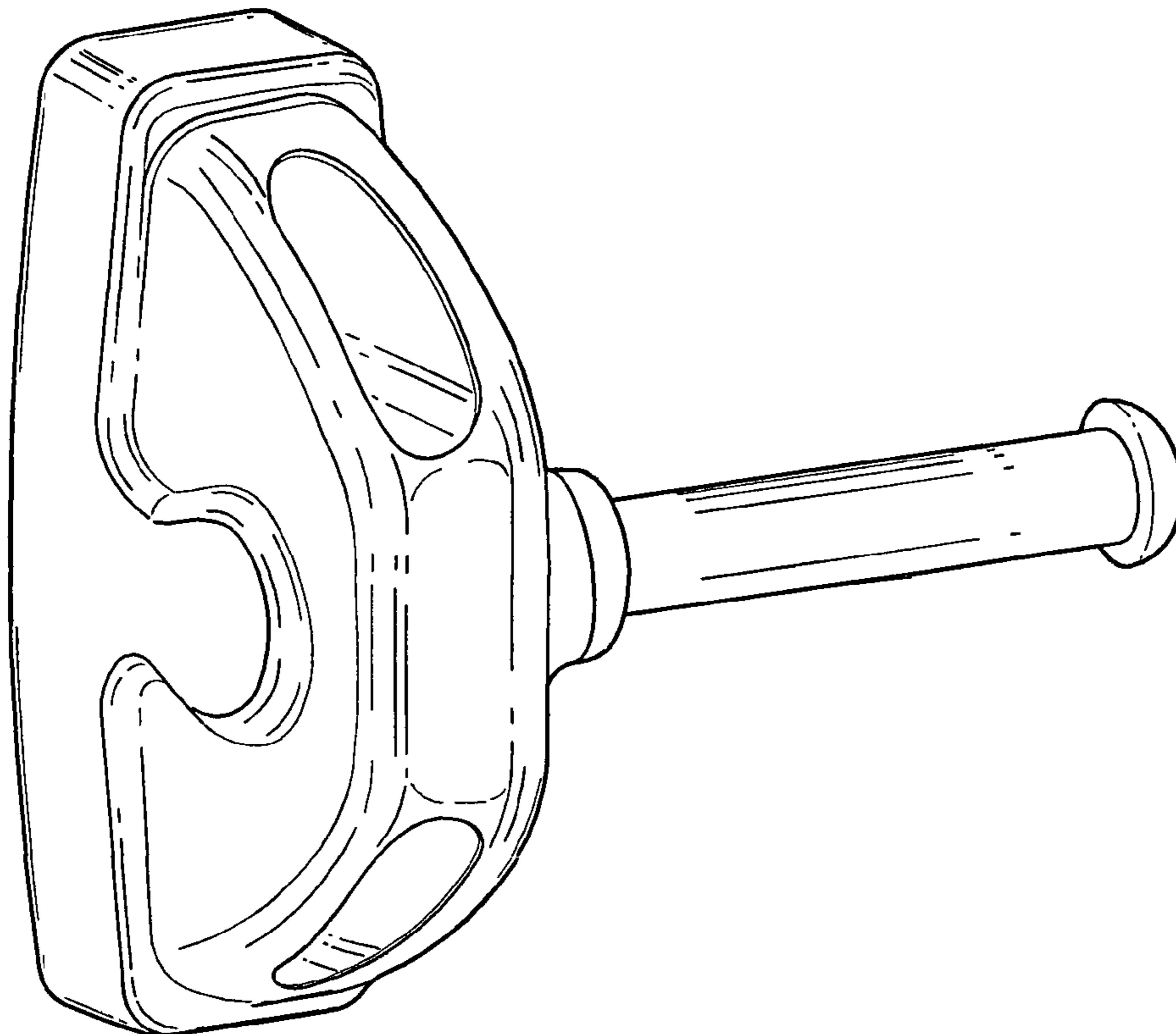
(57) **CLAIM**
The ornamental design for a gate striker, as shown and described.

DESCRIPTION

FIG. 1 is a left perspective view of a gate striker showing my new design;
 FIG. 2 is a right perspective view thereof;
 FIG. 3 front view thereof
 FIG. 4 back view thereof.
 FIG. 5 left side view thereof.
 FIG. 6 right side view thereof.
 FIG. 7 top view thereof; and,
 FIG. 8 bottom view thereof.
 The broken lines illustrate unclaimed portions and form no part of the claimed design.

1 Claim, 8 Drawing Sheets

- (56) **References Cited**
U.S. PATENT DOCUMENTS
3,433,518 A * 3/1969 Foltz 292/238
4,691,541 A * 9/1987 McQuade, Sr. 70/77
6,058,747 A * 5/2000 Doyle et al. 70/137



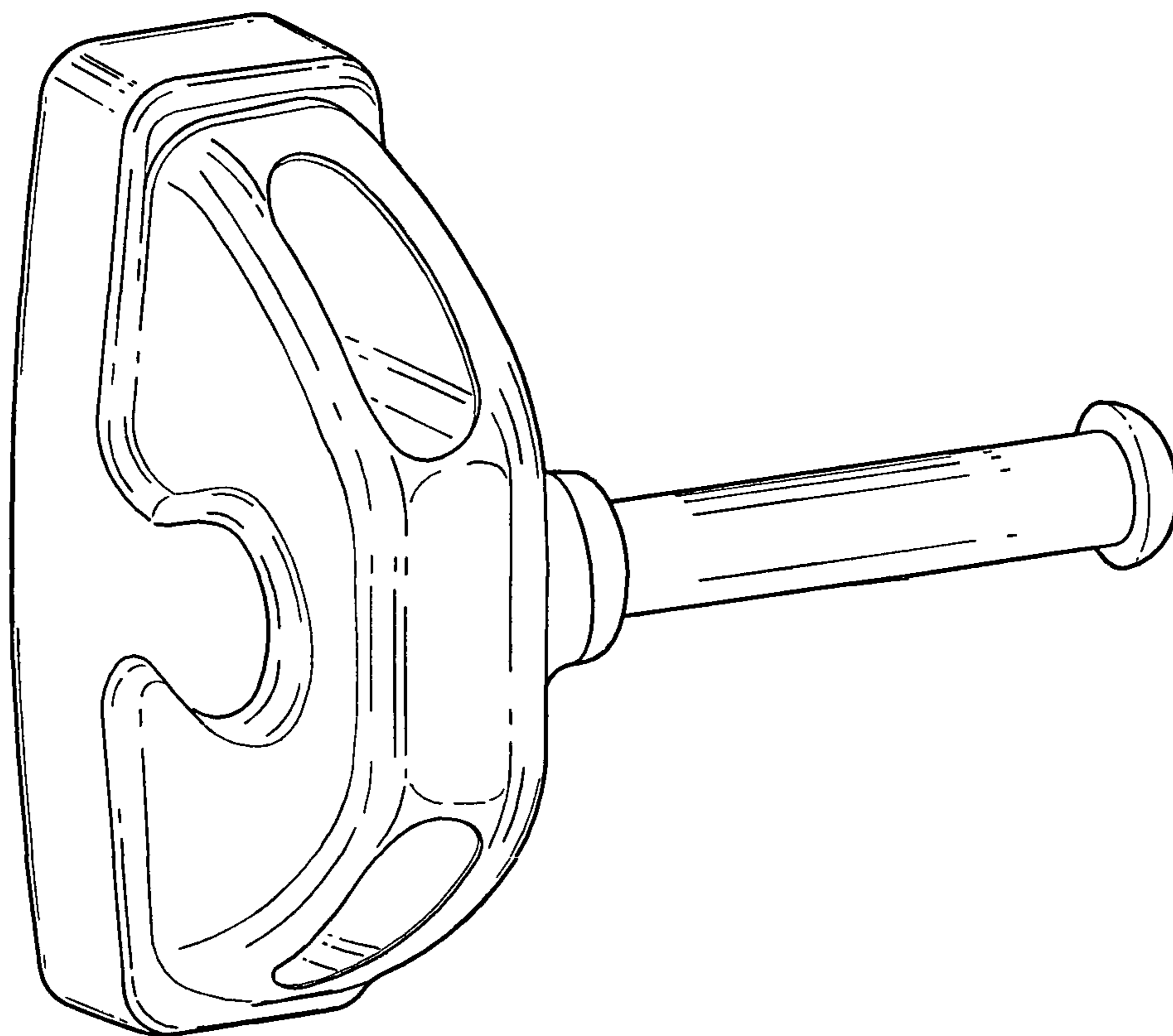


FIG. 1

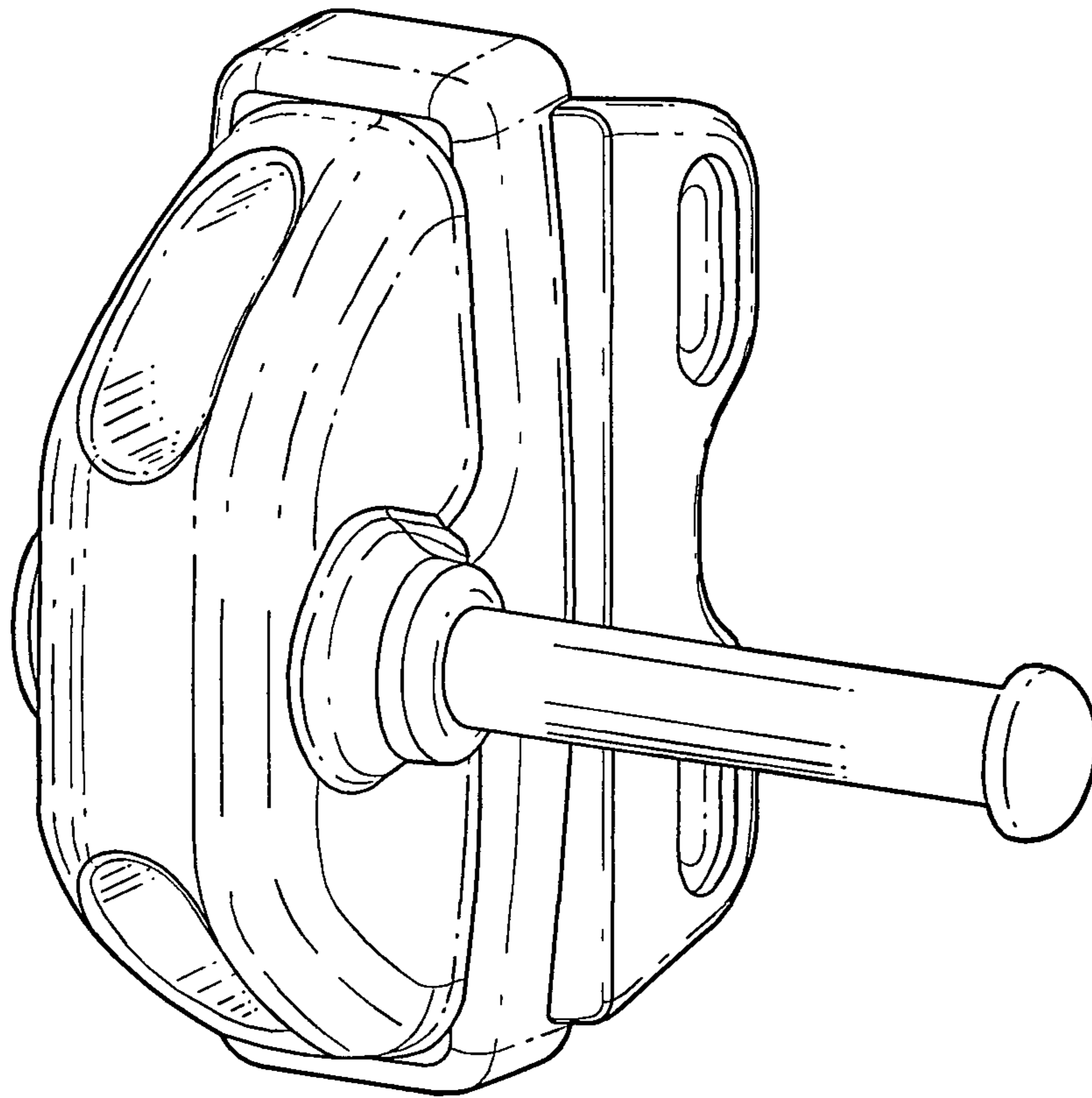


FIG. 2

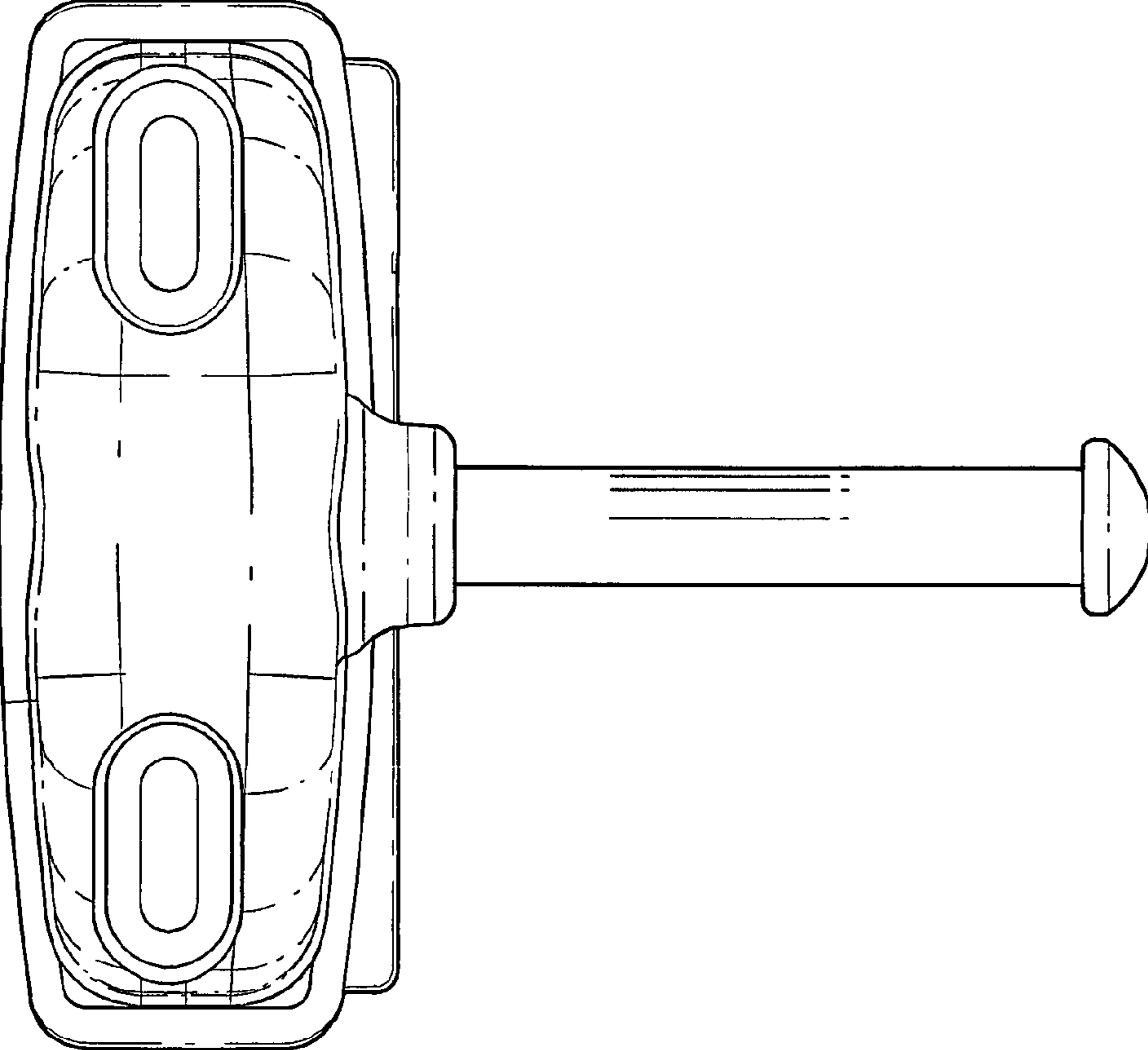


FIG. 3

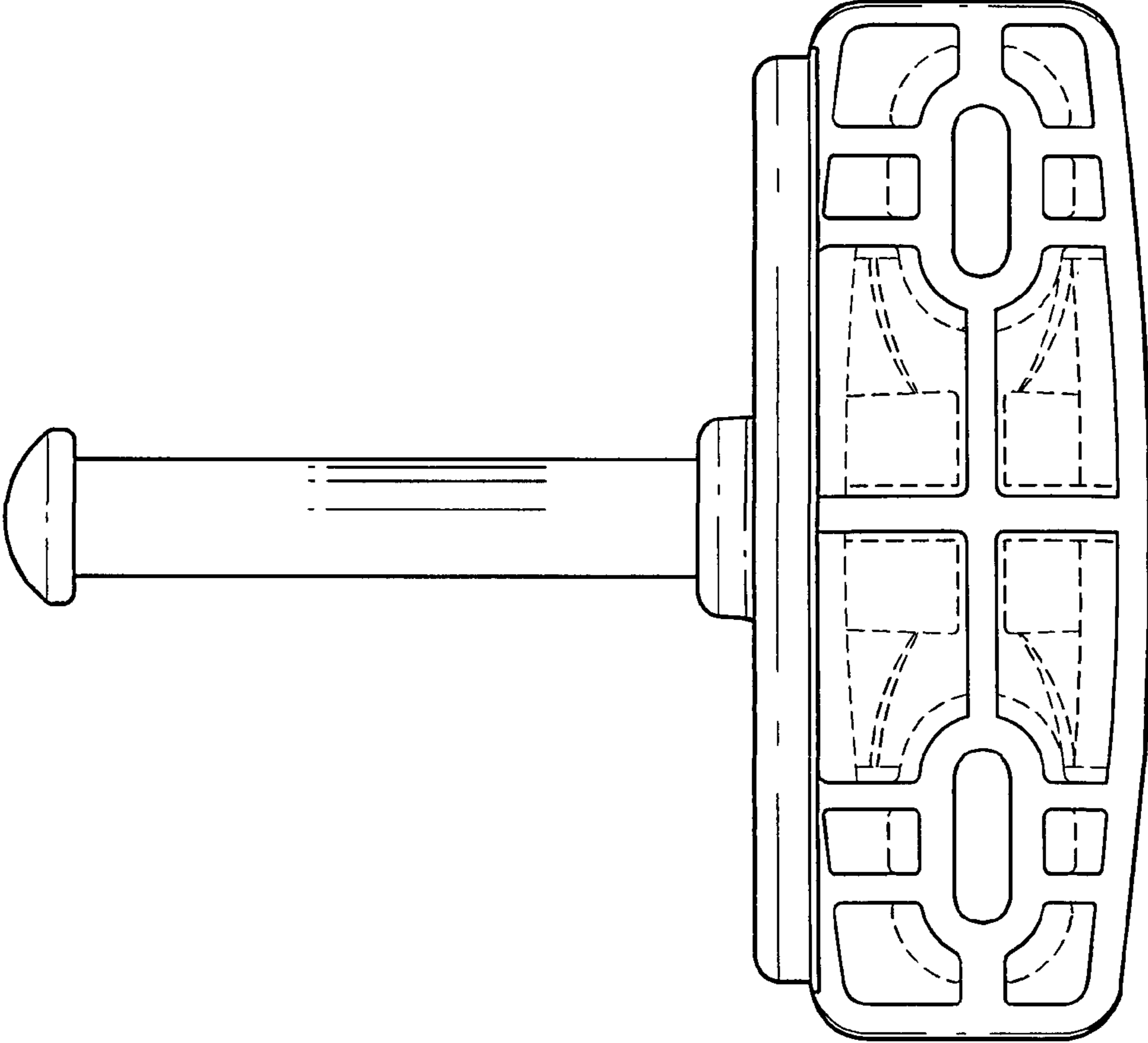


FIG. 4

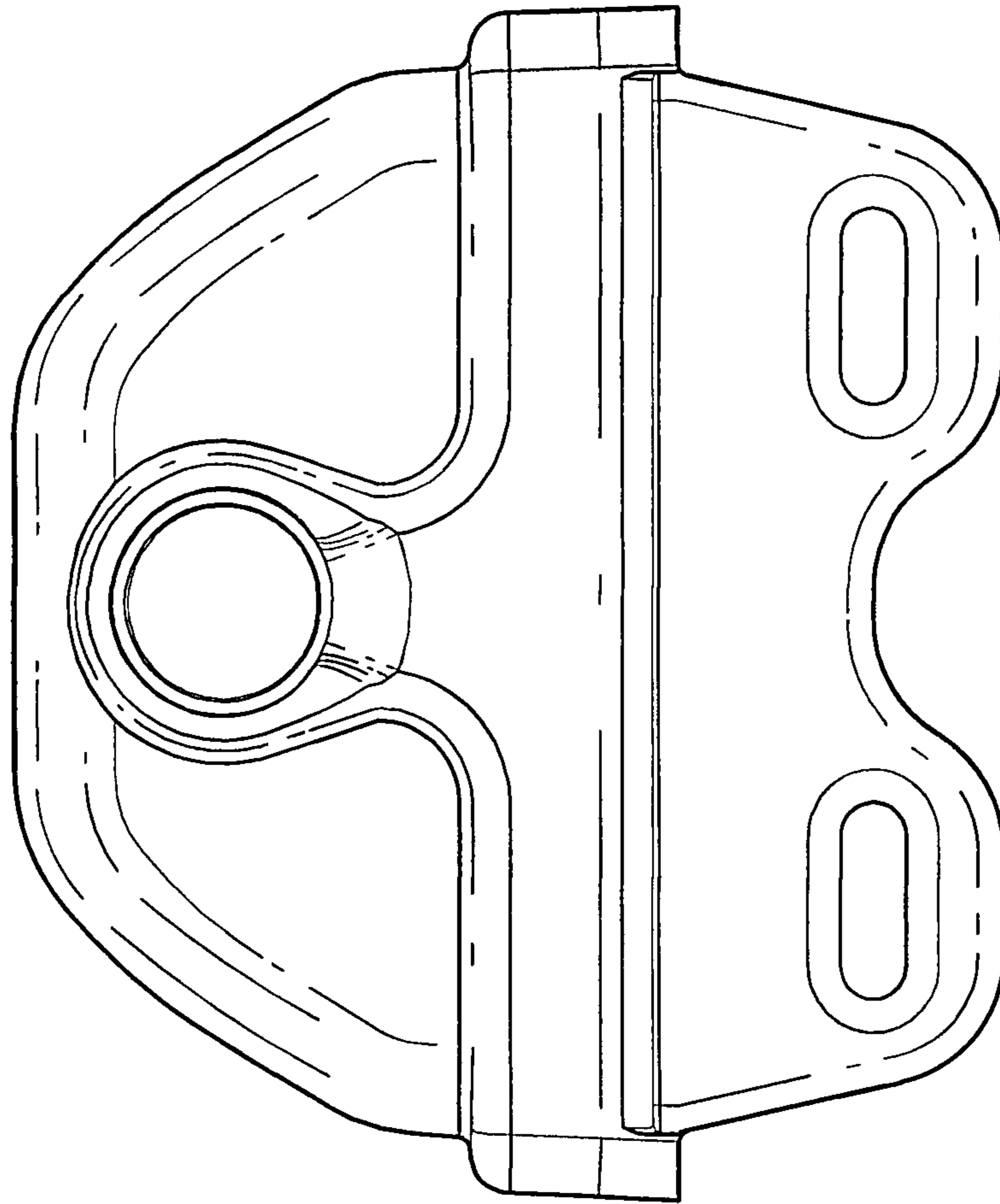


FIG. 5

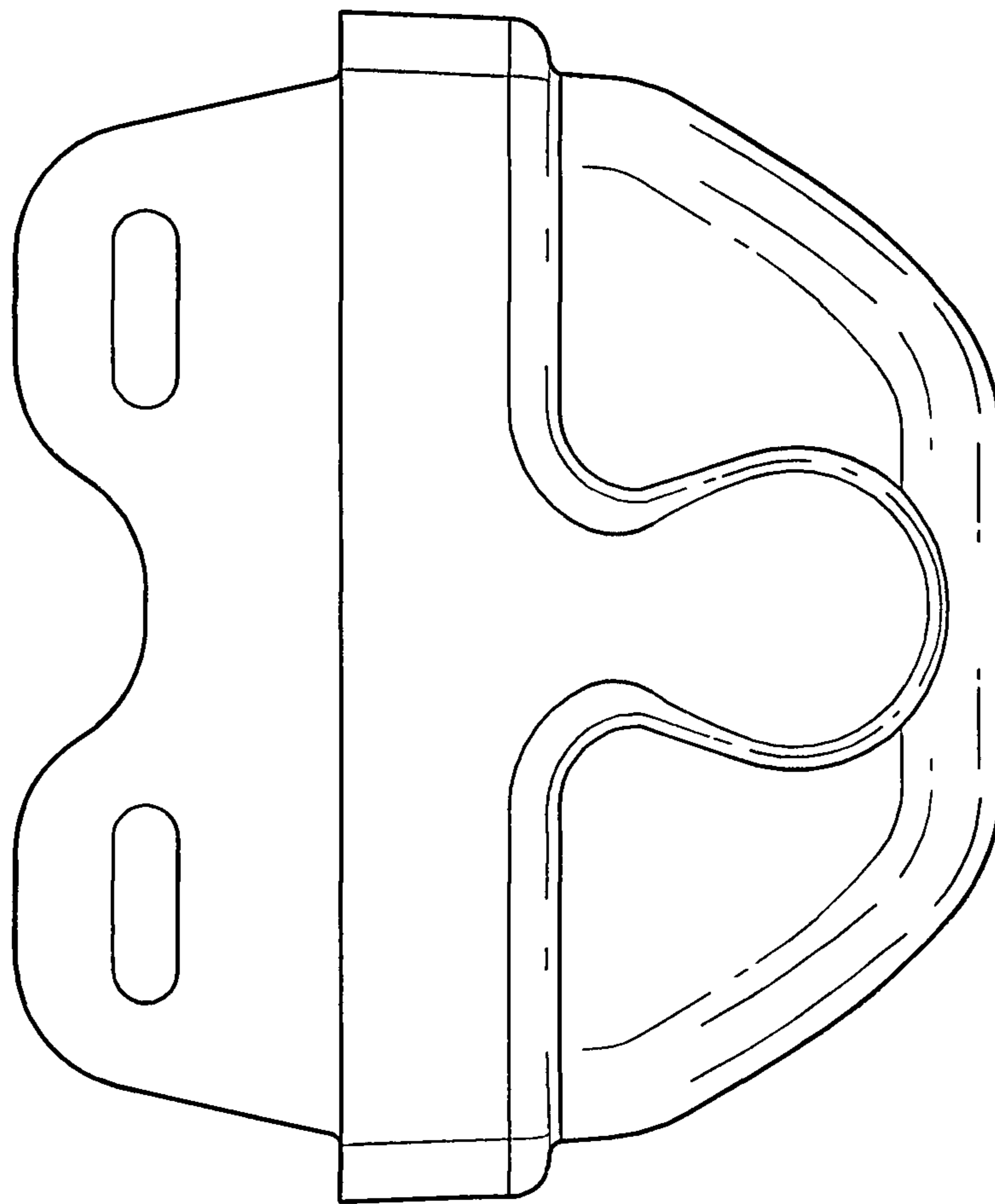


FIG. 6

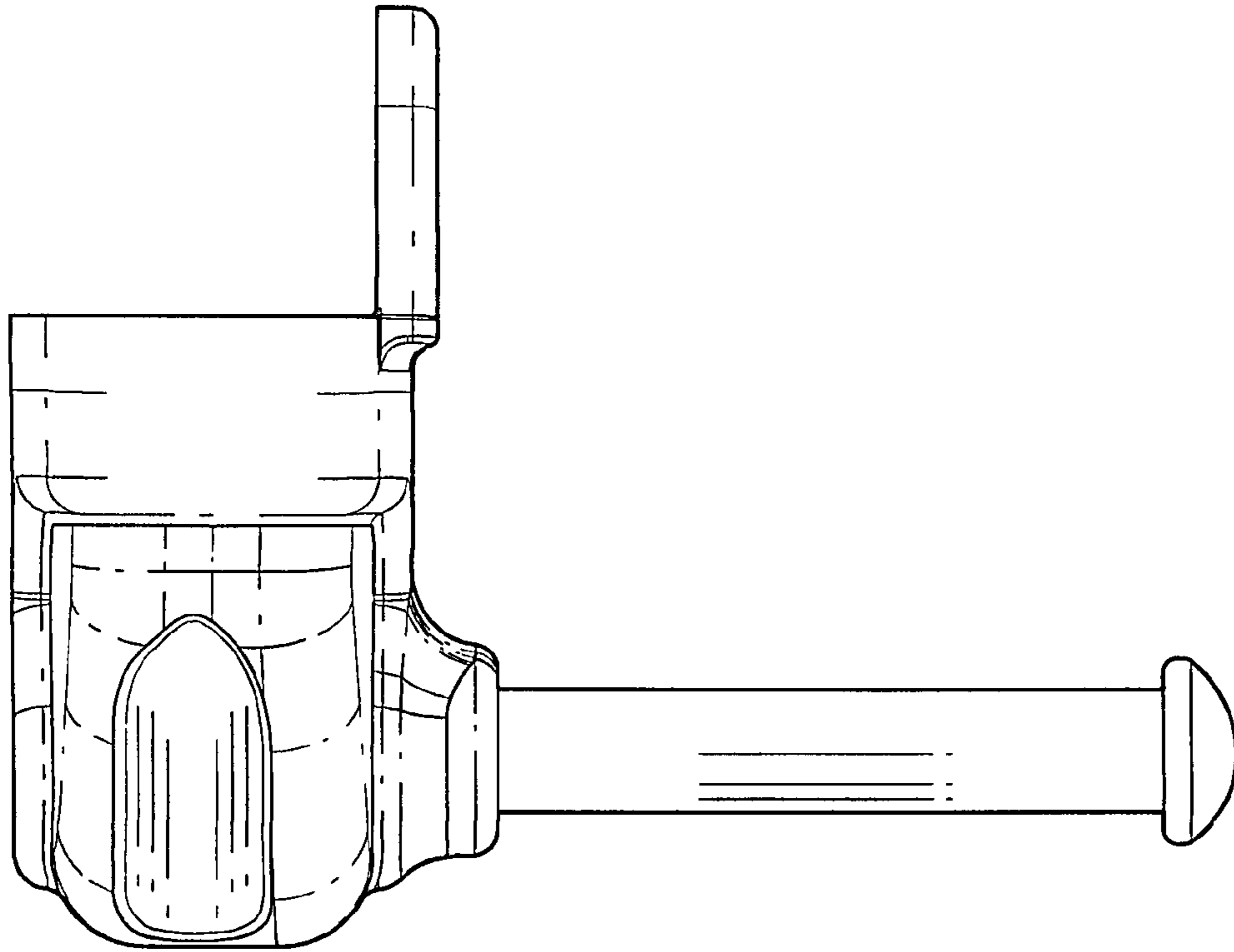


FIG. 7

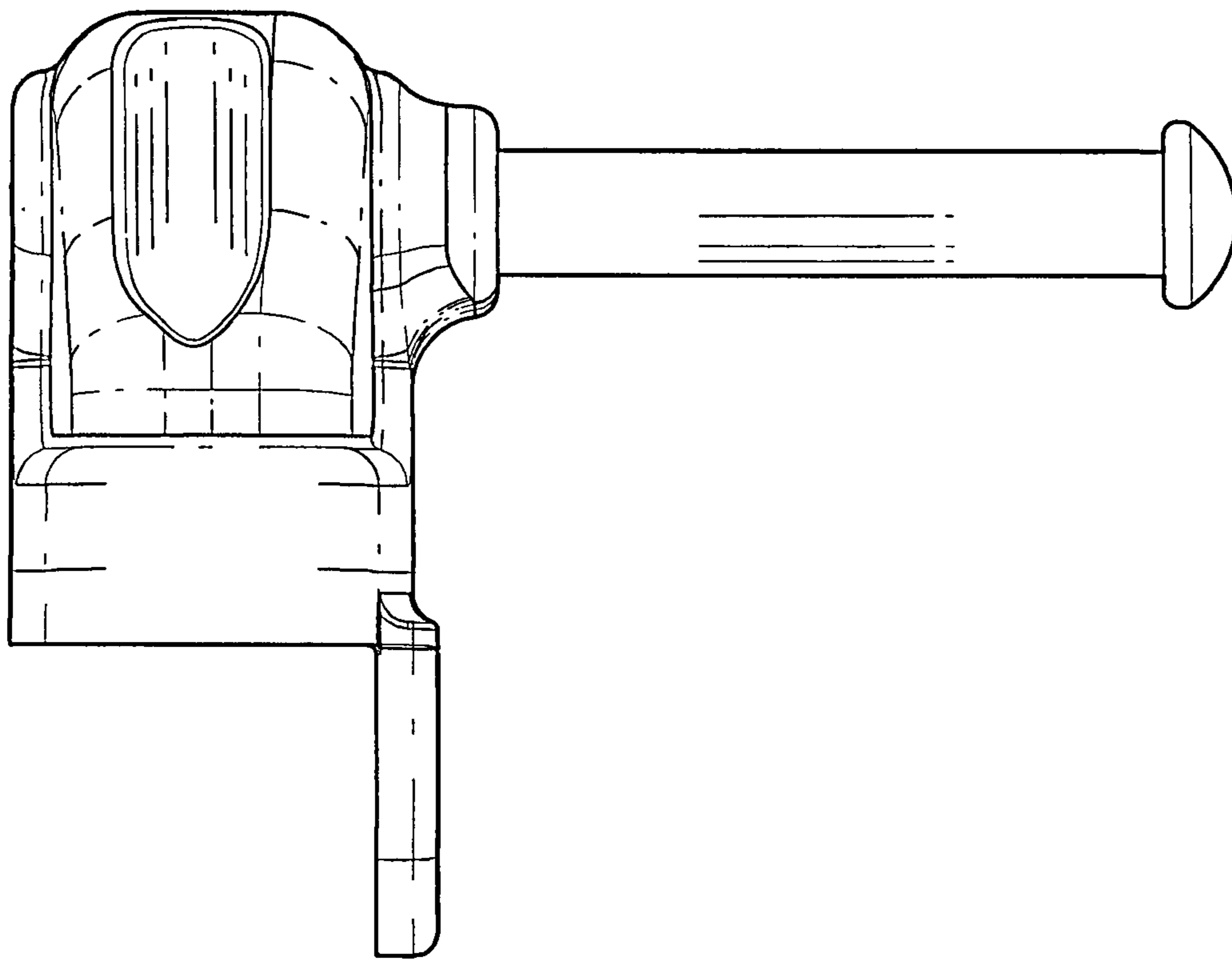


FIG. 8