



US00D737655S

(12) **United States Design Patent**  
**Oota et al.**

(10) **Patent No.:** **US D737,655 S**  
(45) **Date of Patent:** **\*\* Sep. 1, 2015**

(54) **HINGE FOR DEVICE**  
(71) Applicant: **YOKOGAWA ELECTRIC CORPORATION**, Musashino-shi, Tokyo (JP)  
(72) Inventors: **Yasunori Oota**, Musashino (JP); **Takuya Nidaira**, Musashino (JP); **Sunho You**, Musashino (JP)

4,439,888	A *	4/1984	Merillat	16/286
4,670,938	A *	6/1987	Fowlston	16/225
D411,434	S *	6/1999	Russell	D8/323
6,263,943	B1 *	7/2001	Lai	160/133
D497,533	S *	10/2004	Wegman	D8/323
D524,141	S *	7/2006	Kwan	D8/325
D525,856	S *	8/2006	Kwan	D8/325
D543,830	S *	6/2007	Frank et al.	D8/323
D557,586	S *	12/2007	Shire et al.	D8/327
D652,706	S *	1/2012	Osaki	D8/329

\* cited by examiner

(73) Assignee: **YOKOGAWA ELECTRIC CORPORATION**, Tokyo (JP)

*Primary Examiner* — Cynthia Underwood

(\*\*) Term: **14 Years**

(74) *Attorney, Agent, or Firm* — Sughrue Mion, PLLC

(21) Appl. No.: **29/488,981**

(57) **CLAIM**

The ornamental design for a hinge for device, as shown and described.

(22) Filed: **Apr. 25, 2014**

**DESCRIPTION**

(30) **Foreign Application Priority Data**

Oct. 30, 2013 (JP) ..... 2013-025324

(51) **LOC (10) CL.** ..... **08-06**

(52) **U.S. CL.**  
USPC ..... **D8/323**

(58) **Field of Classification Search**  
USPC ..... D8/323, 327, 356, 354, 349; D23/303;  
4/236, 240; 16/225, 250, 682, 309,  
16/235, 275, 244, 379, 390, 430, 241, 238,  
16/245, 236, 243, 242, 385, 331, 274;  
220/575; 206/521.15; 24/302, 16 R,  
24/306, 17 R; 439/501; 381/374; D14/217,  
D14/205

See application file for complete search history.

(56) **References Cited**

**U.S. PATENT DOCUMENTS**

2,050,045	A *	8/1936	Eden, Jr.	72/261
3,092,870	A *	6/1963	Baer	16/277

FIG. 1 is a perspective view of a hinge for device showing our new design;  
FIG. 2 is a front view thereof;  
FIG. 3 is a rear view thereof;  
FIG. 4 is a left side view thereof;  
FIG. 5 is a right side view thereof;  
FIG. 6 is a top view thereof;  
FIG. 7 is a bottom view thereof;  
FIG. 8 is a perspective view of a first alternative position thereof;  
FIG. 9 is a perspective view of a second alternative position thereof;  
FIG. 10 is a perspective view of a third alternative position thereof;  
FIG. 11 is a perspective view thereof in use; and,  
FIG. 12 is a perspective view thereof at reduced scale in use. The broken lines shown are included for the purpose of illustrating an environment of use of the hinge for device, and form no part of the claimed design.

**1 Claim, 9 Drawing Sheets**

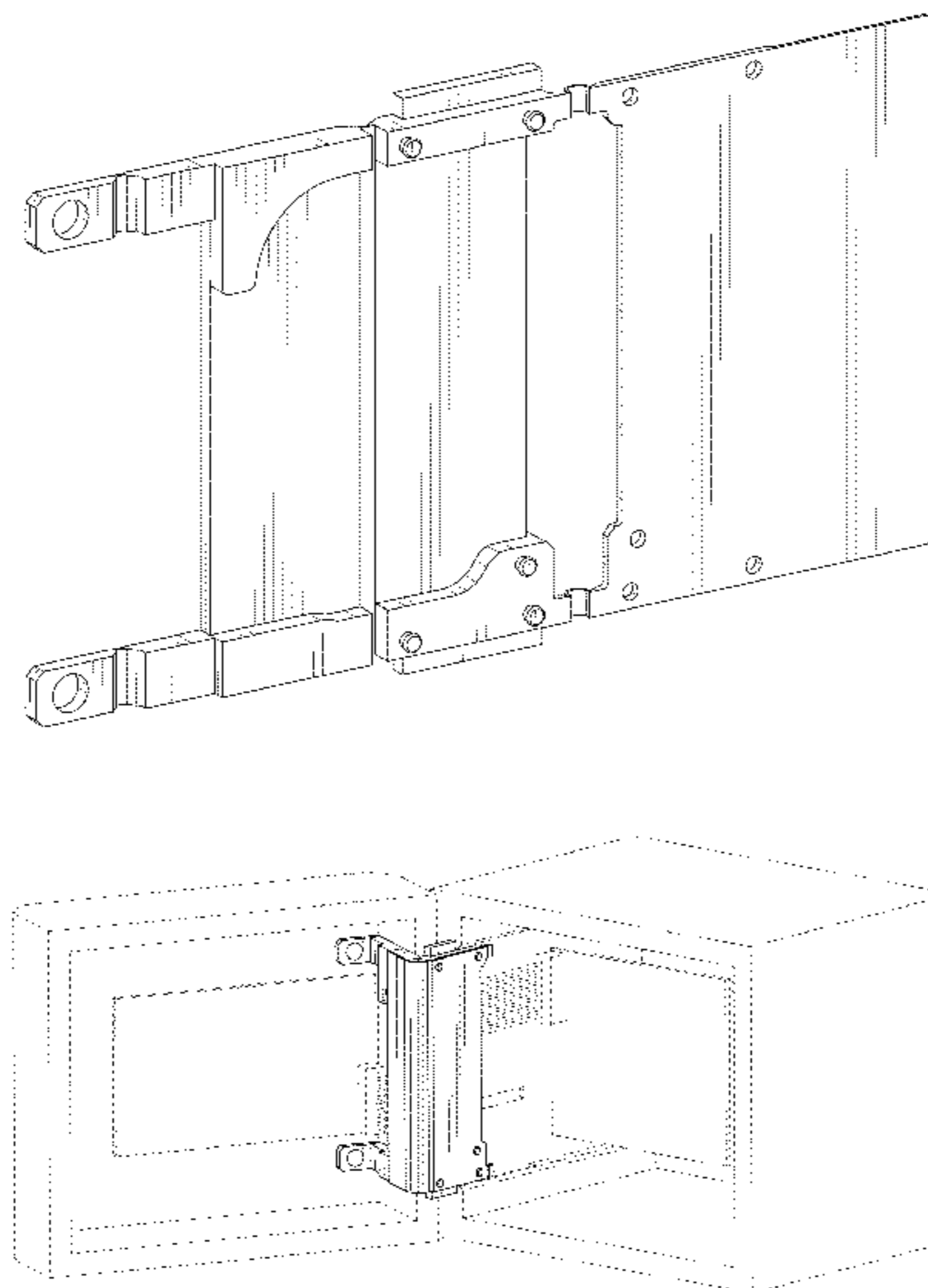


Fig. 1

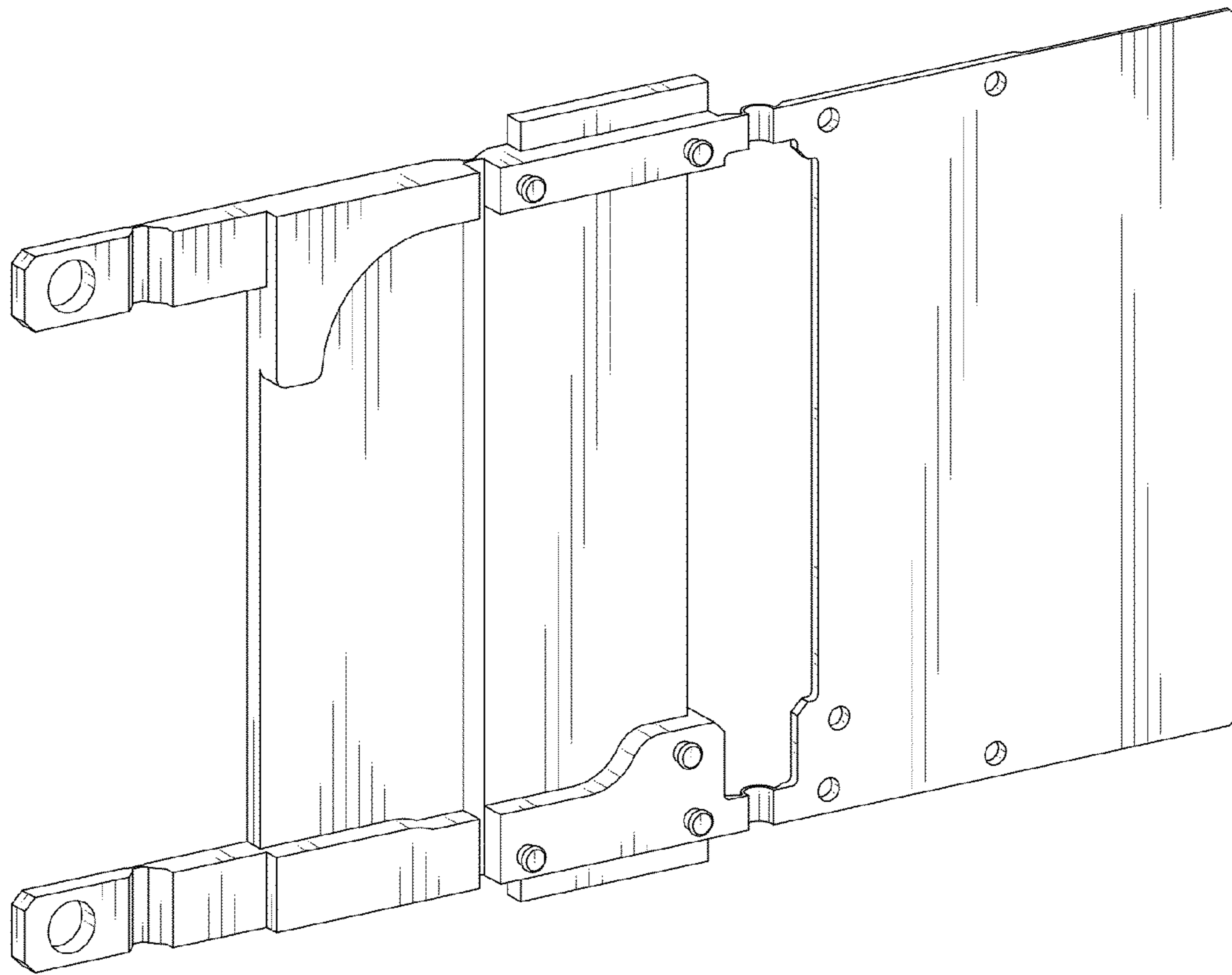


Fig. 2

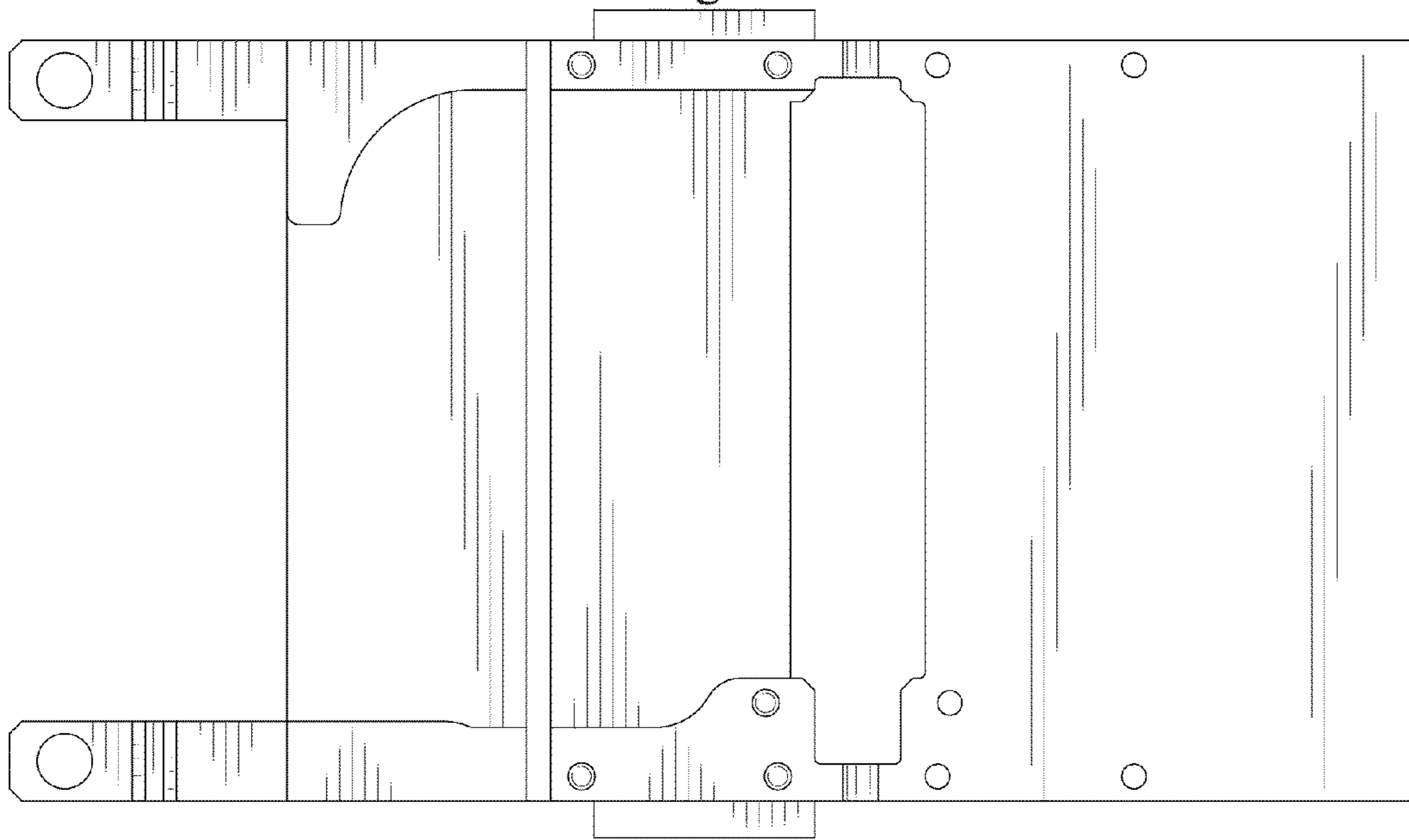


Fig. 3

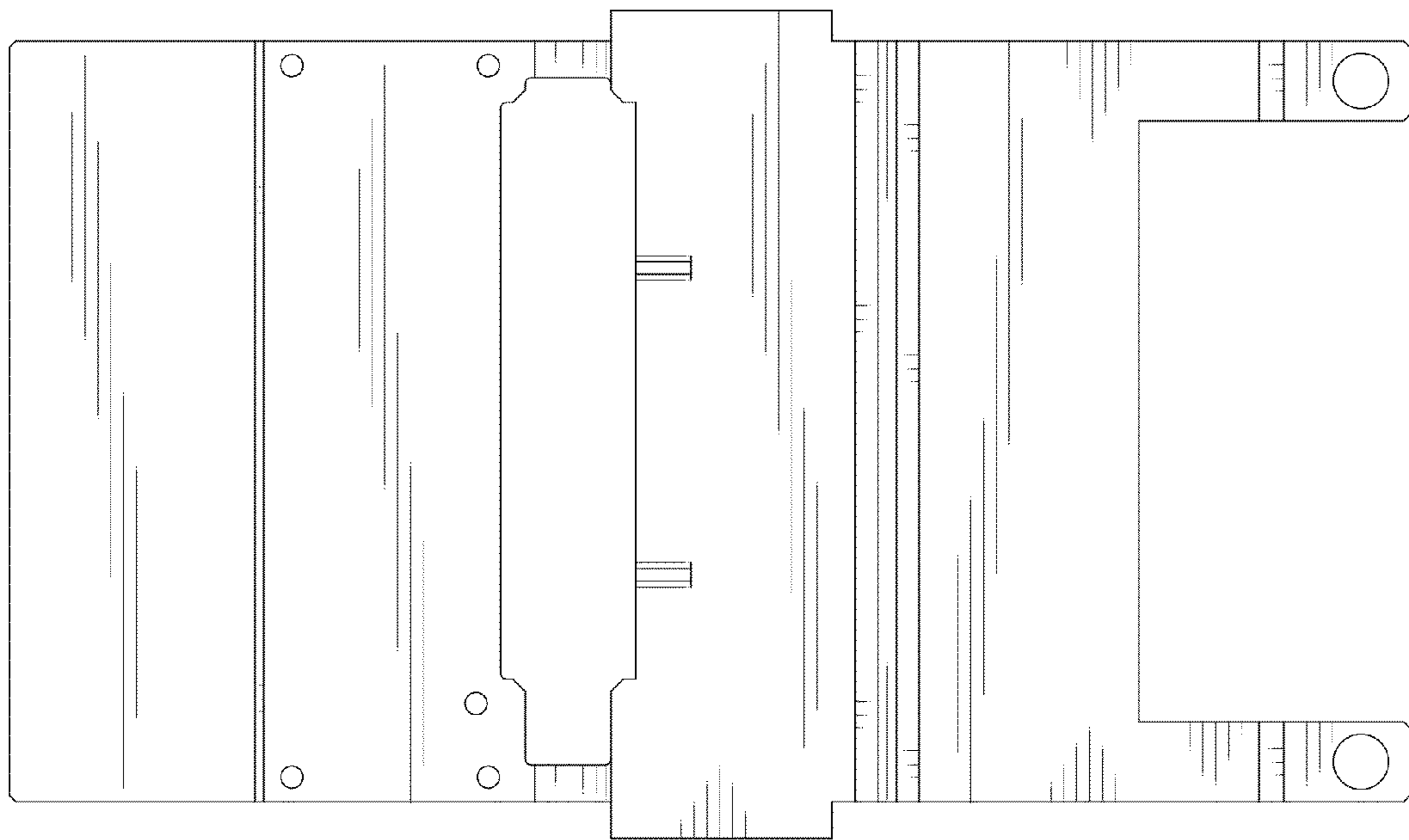


Fig. 4

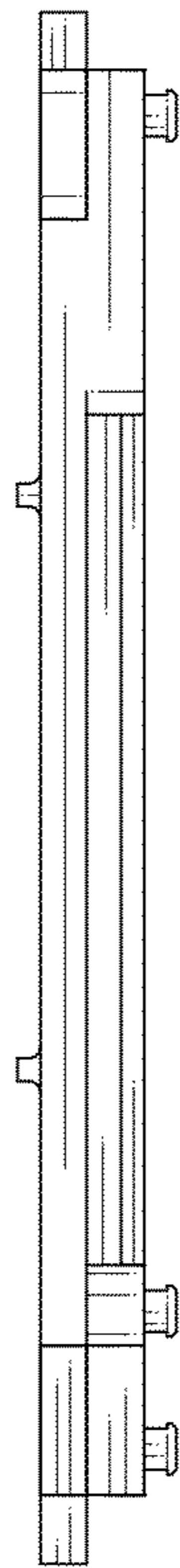


Fig. 5

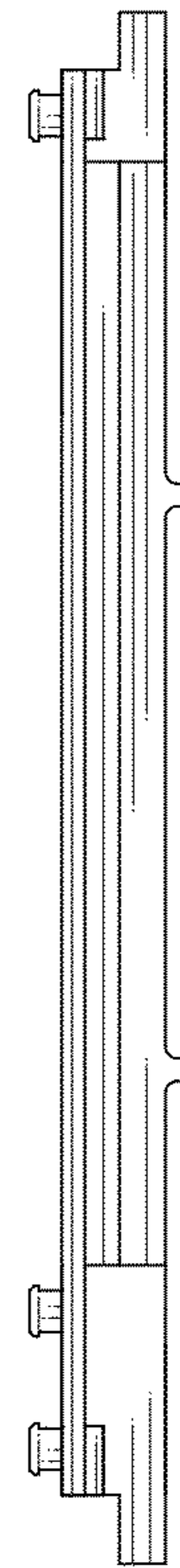


Fig. 6

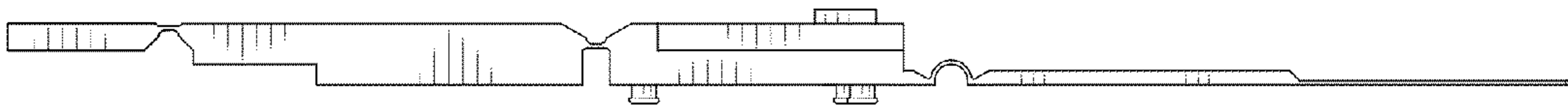


Fig. 7

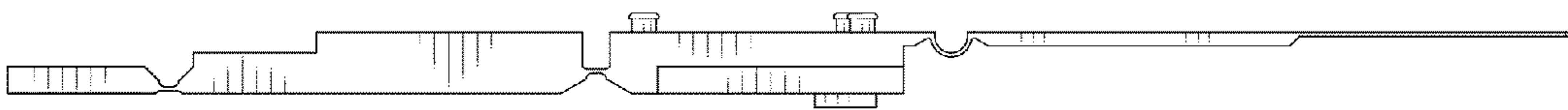


Fig. 8

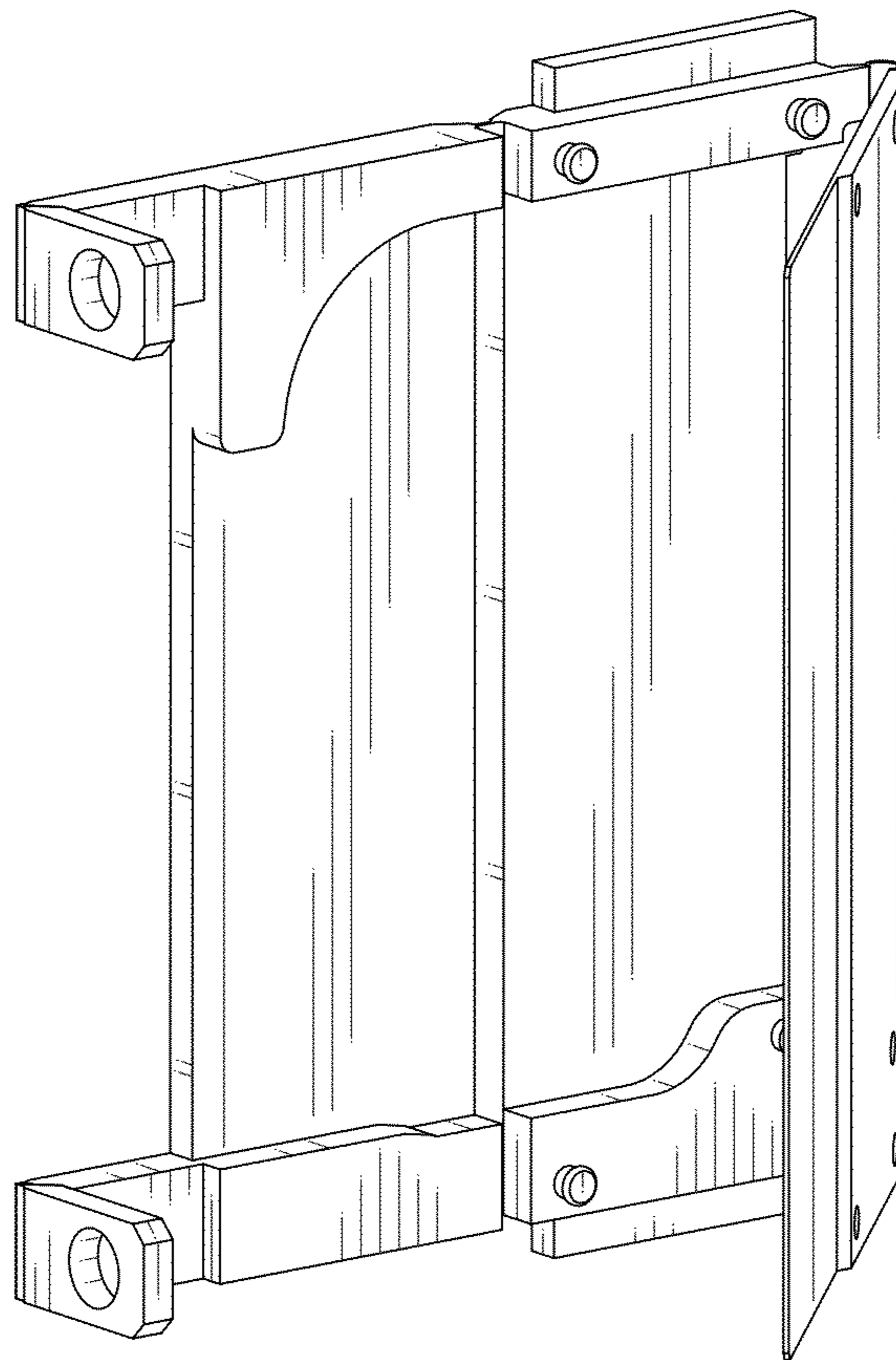


Fig. 9

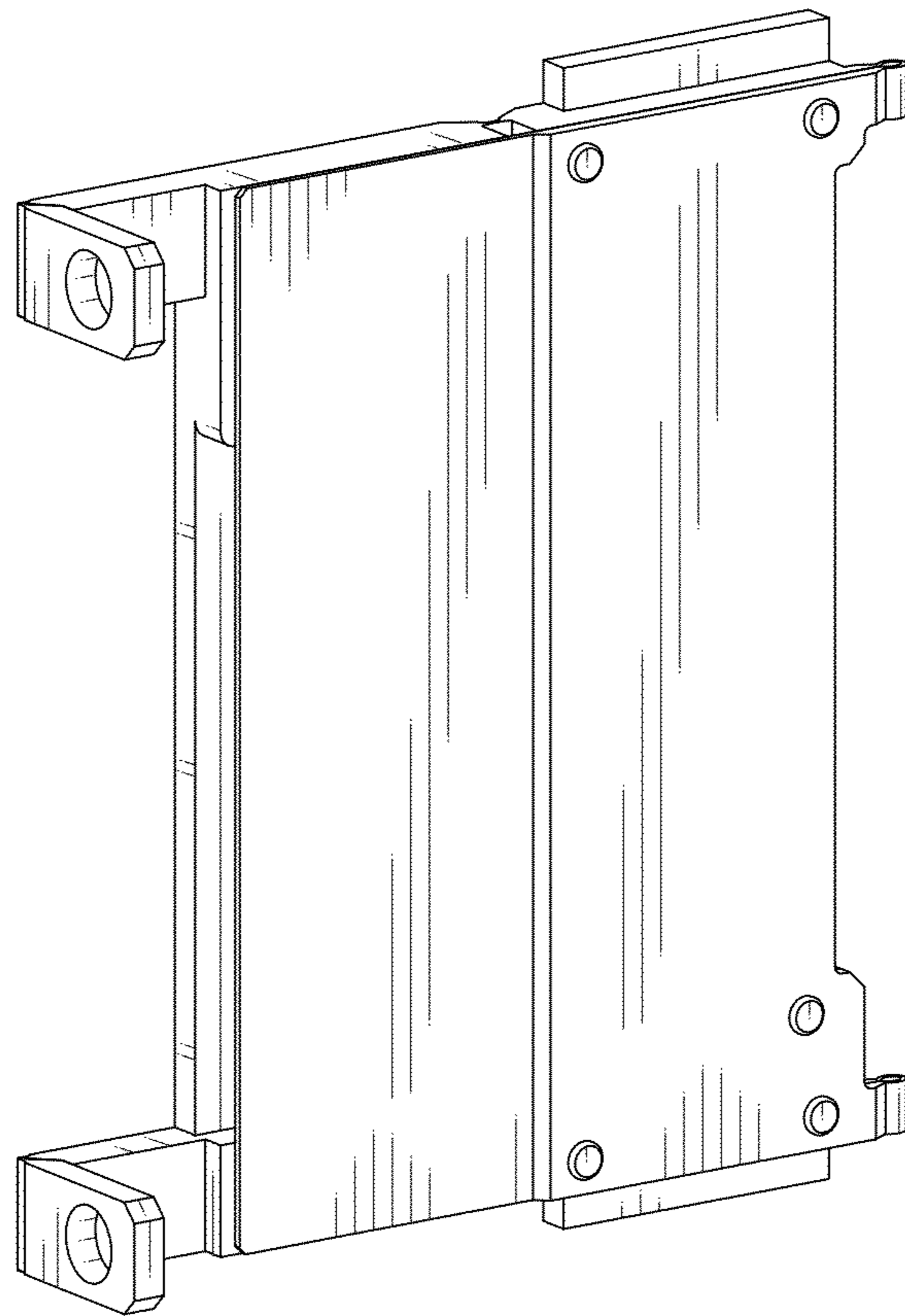


Fig. 10

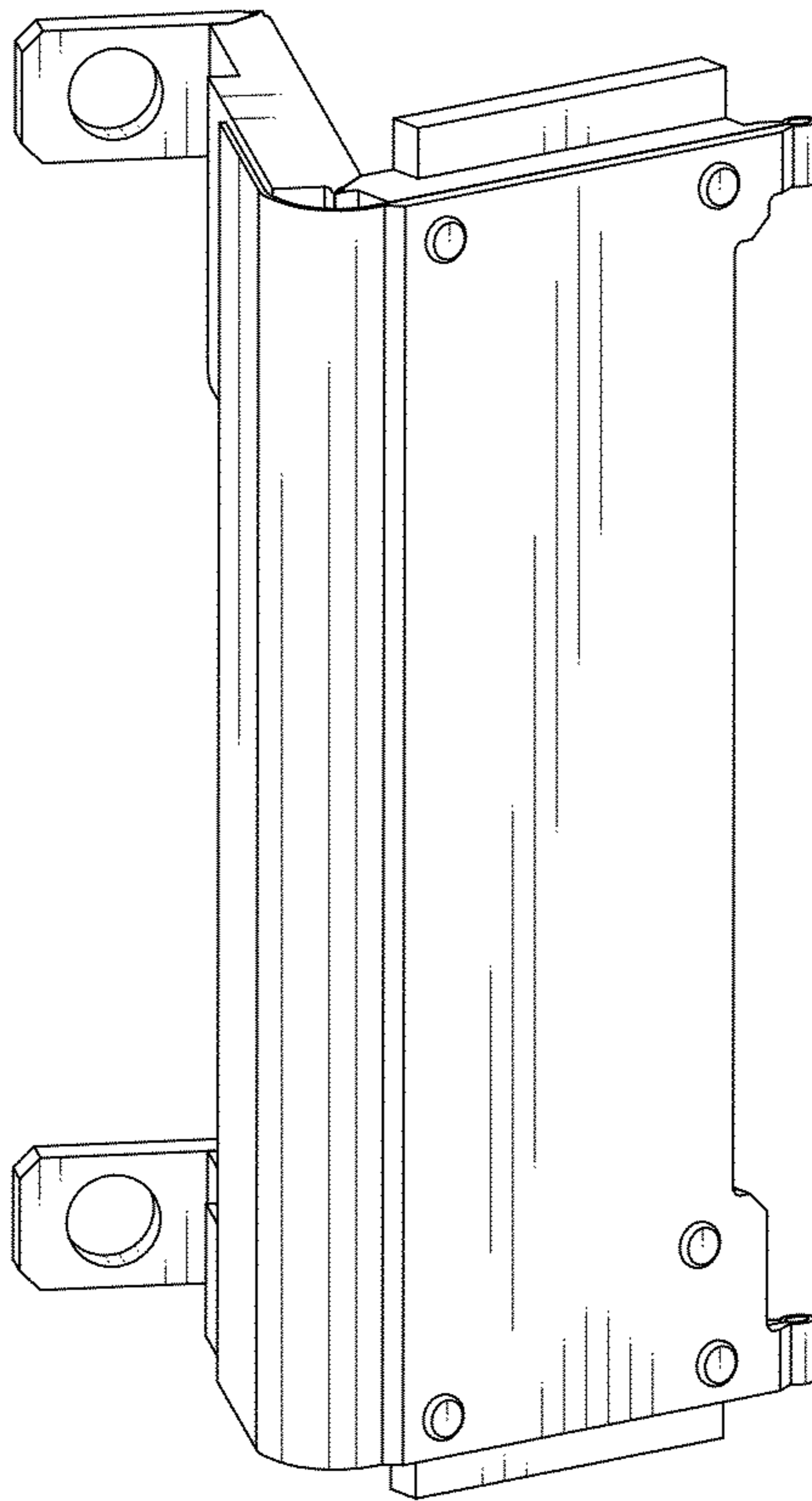




Fig. 11

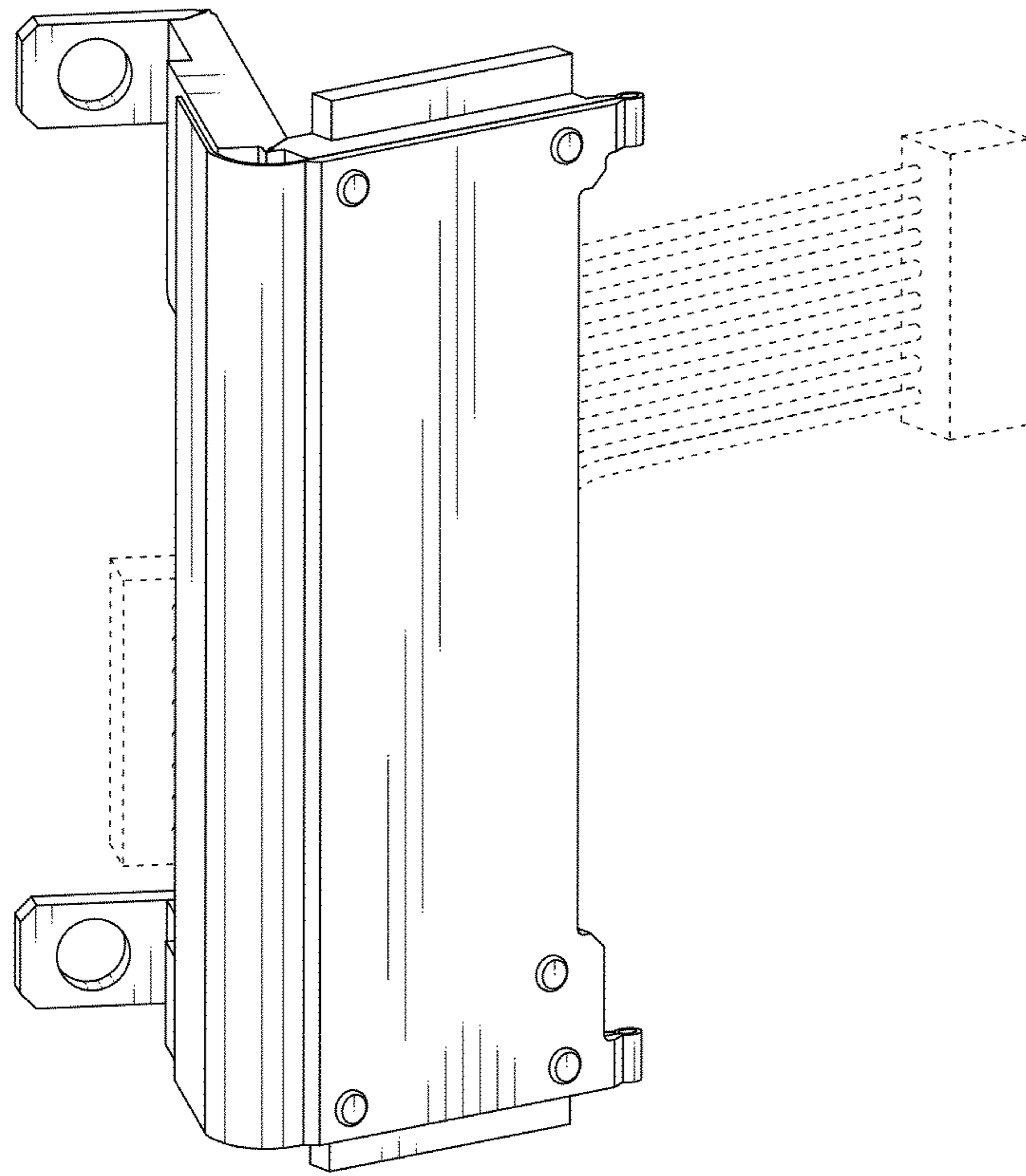


Fig. 12

