



US00D737654S

(12) **United States Design Patent**
Han

(10) **Patent No.:** **US D737,654 S**
(45) **Date of Patent:** **** Sep. 1, 2015**

(54) **CABINET HANDLE**

(71) Applicant: **Hardware Resources, Inc.**, Bossier City, LA (US)

(72) Inventor: **Kukjin Han**, High Point, NC (US)

(73) Assignee: **Hardware Resources, Inc.**, Bossier City, LA (US)

(**) Term: **14 Years**

(21) Appl. No.: **29/493,166**

(22) Filed: **Jun. 5, 2014**

(51) **LOC (10) Cl.** **08-06**

(52) **U.S. Cl.**
USPC **D8/316**

(58) **Field of Classification Search**

USPC D8/300, 315–320, DIG. 1; D23/250, D23/254, 303–305; D99/11; D6/546, 549; D7/393, 394; 211/16; 16/110.1, 412, 16/413, 415, 419, 422, 424, 425, DIG. 19
CPC Y10T 16/469; Y10T 16/44; Y10T 16/458; Y10T 16/498; Y10T 16/476; Y10T 16/459; Y10T 16/466; Y10T 16/4713; Y10T 16/4644; Y10T 16/513; Y10T 16/509; Y10T 16/473; Y10T 16/462; Y10T 16/4701; Y10T 74/20732; Y10T 29/49826; Y10T 16/4719; Y10T 16/455; Y10T 16/4559; Y10T 74/20828; Y10T 74/20738; Y10T 74/20762; Y10T 16/4628; Y10T 74/20864; Y10T 16/4567; Y10T 16/4576; Y10T 16/501; Y10T 16/86

See application file for complete search history.

(56) **References Cited**

U.S. PATENT DOCUMENTS

D117,183 S *	10/1939	Junkunc	D99/11
D561,557 S *	2/2008	McConnell	D8/316
D588,172 S *	3/2009	Yang et al.	D15/89
D635,005 S *	3/2011	McConnell	D8/316
D719,008 S *	12/2014	Han	D8/315

* cited by examiner

Primary Examiner — Derrick Holland

Assistant Examiner — Lauren Calve

(74) *Attorney, Agent, or Firm* — Schultz & Associates, P.C.

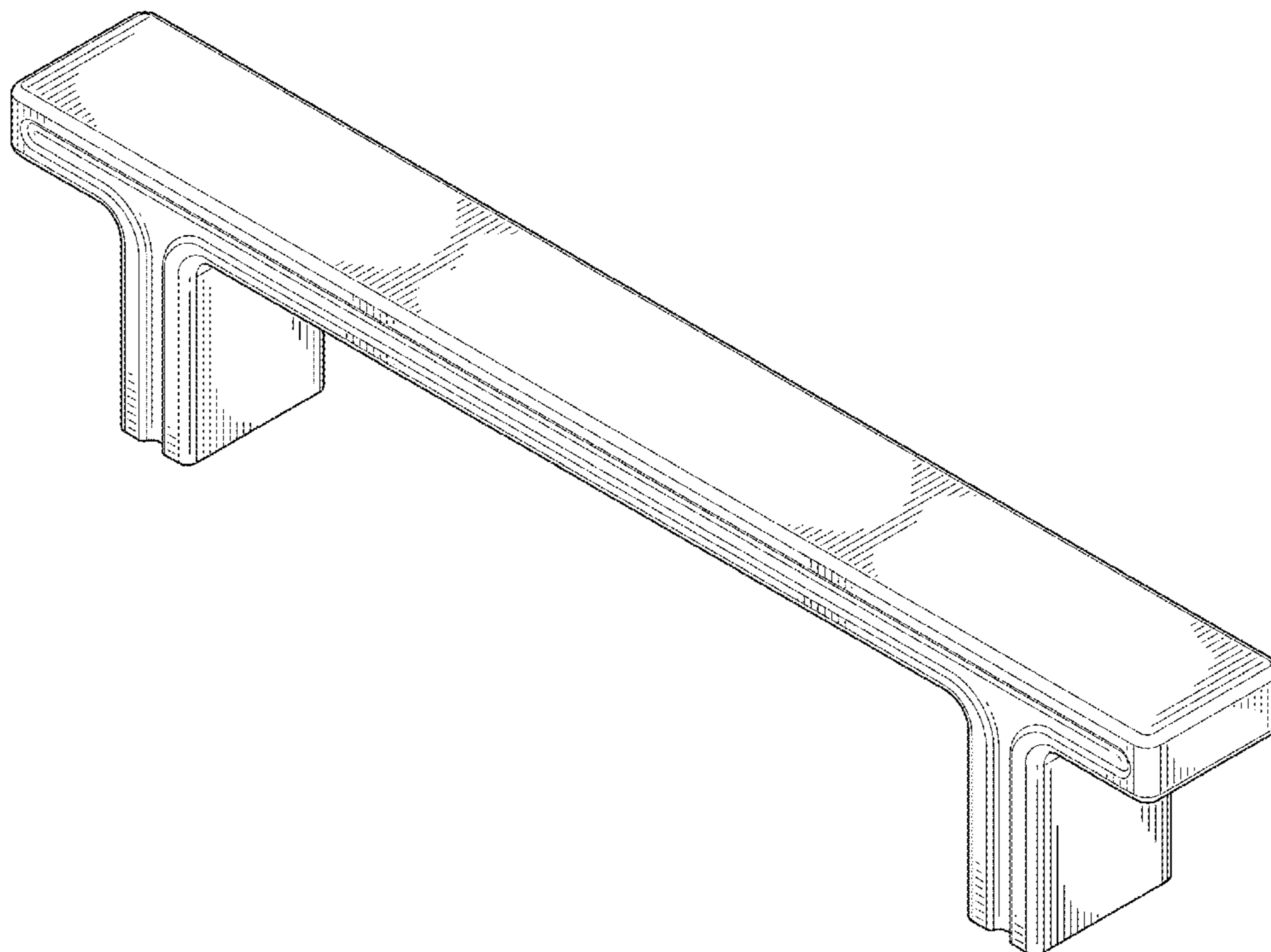
(57) **CLAIM**

The ornamental design for a cabinet handle, as shown and described.

DESCRIPTION

FIG. 1 is a perspective view of a cabinet handle showing my new design;
FIG. 2 is a side elevation view thereof;
FIG. 3 is a second side elevation view thereof;
FIG. 4 is a top plan view thereof; and,
FIG. 5 is a bottom plan view thereof.
The broken lines shown represent unclaimed subject matter and form no part of the claimed design.

1 Claim, 3 Drawing Sheets



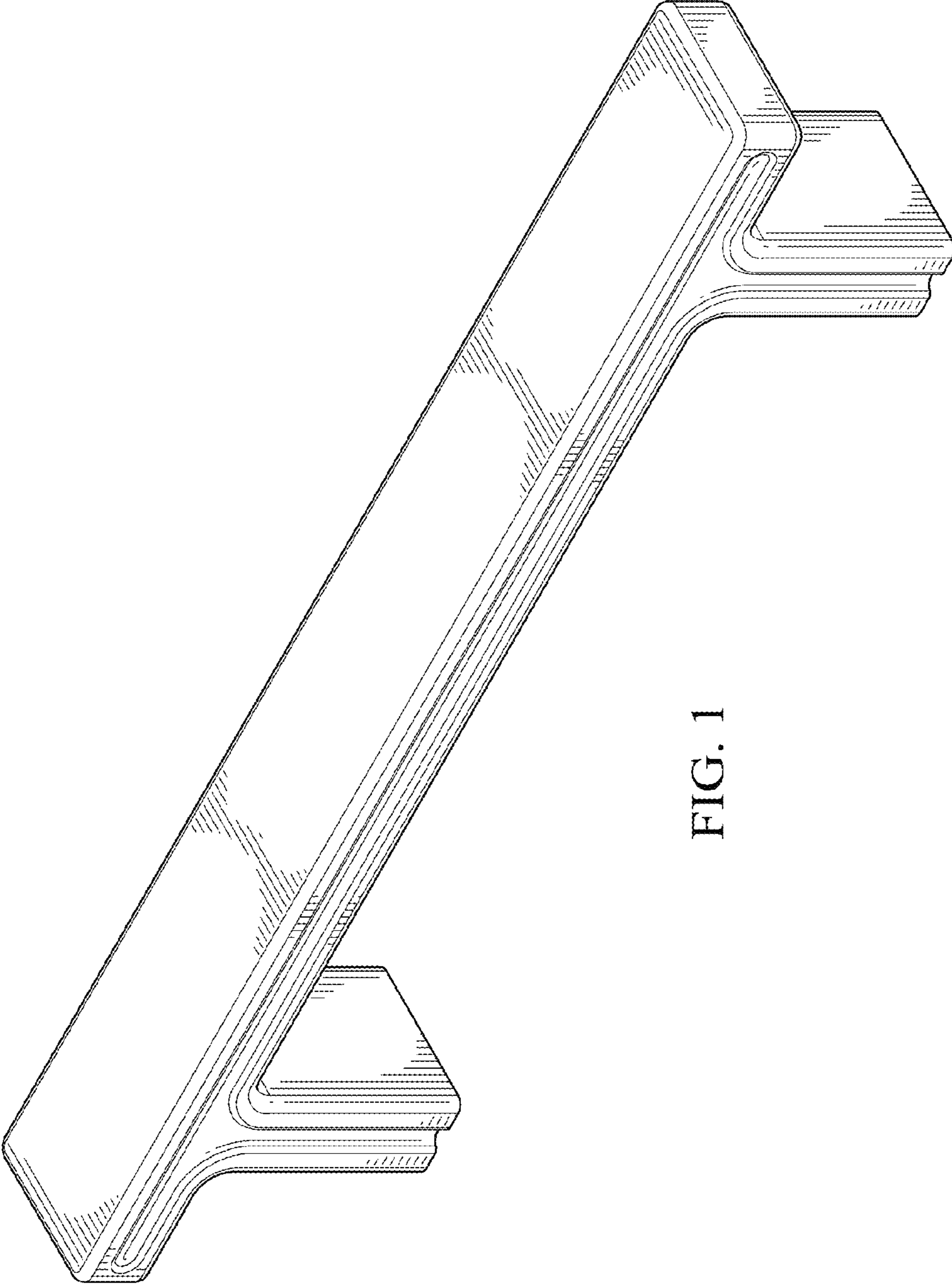


FIG. 1

FIG. 2

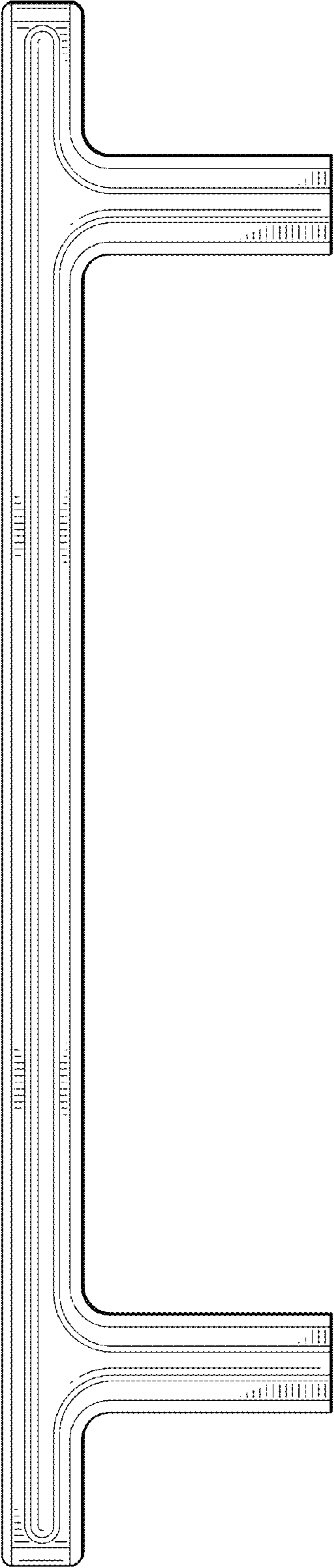
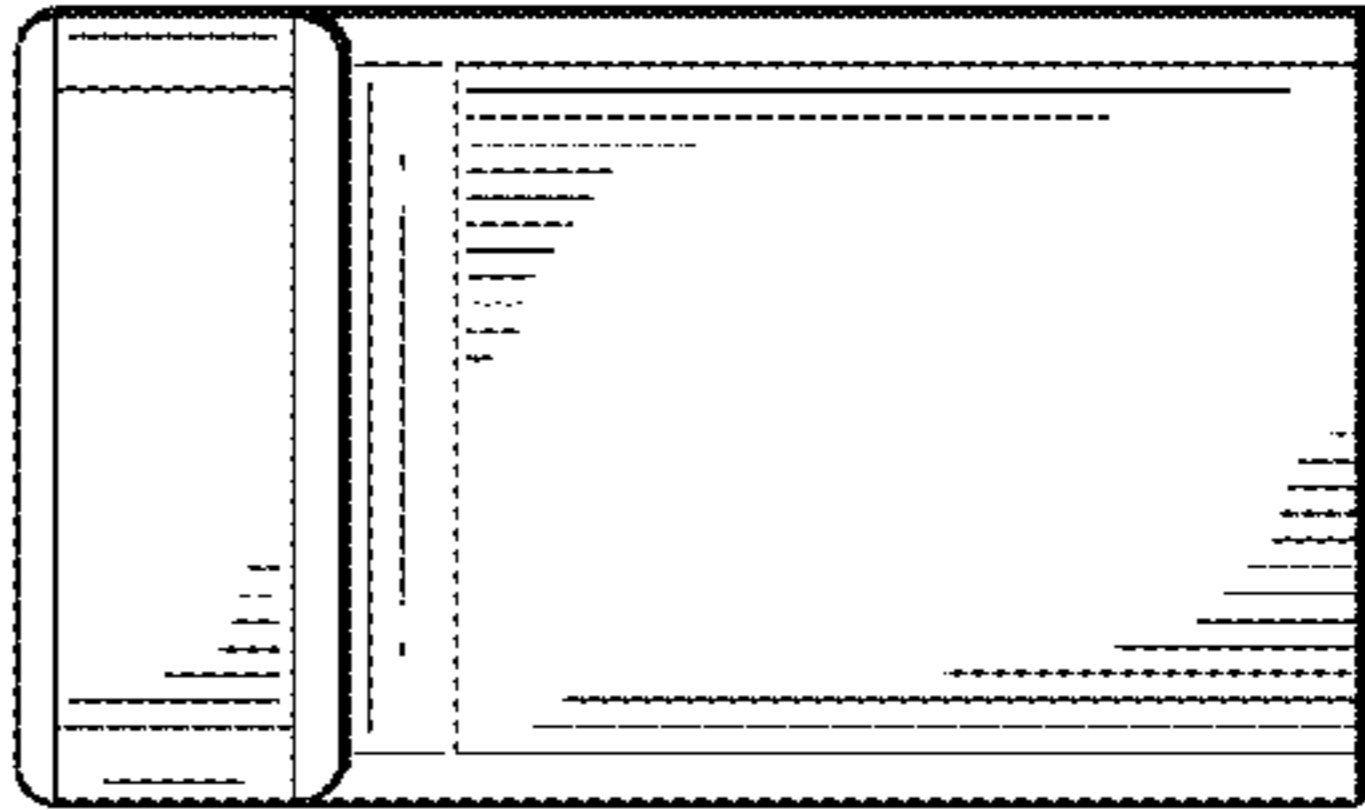


FIG. 3



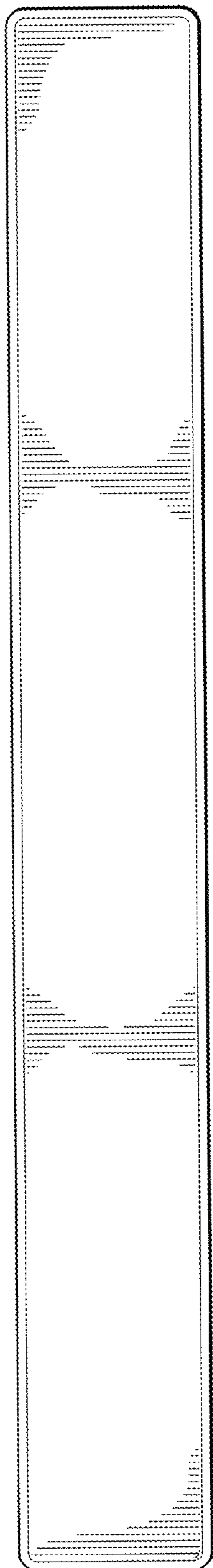


FIG. 4

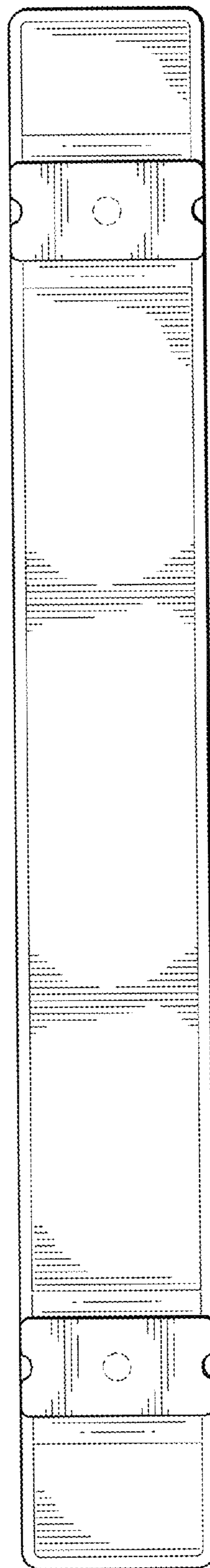


FIG. 5