



US00D737652S

(12) **United States Design Patent**
Harden et al.

(10) **Patent No.:** **US D737,652 S**
(45) **Date of Patent:** **** Sep. 1, 2015**

(54) **HANDLE**

E05B 85/12; E05B 85/10; E05B 7/00; E05B
1/0053; E05B 77/265

(71) Applicant: **BOBRICK WASHROOM
EQUIPMENT, INC.**, North Hollywood,
CA (US)

See application file for complete search history.

(72) Inventors: **Daniel Kendall Harden**, Palo Alto, CA
(US); **Elliot Lucas Ortiz**, San Francisco,
CA (US); **Hiroto Teranishi**, San Jose,
CA (US)

(56) **References Cited**

U.S. PATENT DOCUMENTS

| | | | | | | |
|-----------|---|---|--------|--------|-------|---------|
| D295,947 | S | * | 5/1988 | Valli | | D8/308 |
| D314,129 | S | * | 1/1991 | Zanini | | D8/301 |
| D317,706 | S | * | 6/1991 | Boeri | | D8/308 |
| D349,228 | S | * | 8/1994 | Jans | | D8/308 |
| 5,813,708 | A | * | 9/1998 | Shen | | 292/165 |

(Continued)

(73) Assignee: **Bobrick Washroom Equipment, Inc.**,
North Hollywood, CA (US)

OTHER PUBLICATIONS

(**) Term: **14 Years**

Nova Hardware, Venue Door Lever, Dec. 30, 2013, Online, p. 1,
<<https://web.archive.org/web/20131230172228/http://novahardware.com/product/venus-door-lever/>>.*

(21) Appl. No.: **29/481,874**

(22) Filed: **Feb. 11, 2014**

(51) **LOC (10) Cl.** **08-06**

(52) **U.S. Cl.**
USPC **D8/302**; D8/308

(58) **Field of Classification Search**

USPC D8/300–302, 307–309, 310, 311, 10;
D23/241, 242, 250, 252; 292/336.3;
74/523, 543; 70/192, 201, 206, 207;
16/110.1, 412, 416, DIG. 30

CPC Y10T 16/44; Y10T 74/20612; Y10T
74/20732; Y10T 16/458; Y10T 16/498;
Y10T 16/469; Y10T 16/476; Y10T 74/20744;
Y10T 74/20864; Y10T 16/4628; Y10T
74/20642; Y10T 16/473; Y10T 74/20762;
Y10T 74/2042; Y10T 74/20828; Y10T
16/459; Y10T 16/4713; Y10T 74/2014;
Y10T 16/50; Y10T 74/20438; Y10T
74/20582; Y10T 74/20738; Y10T 16/48;
Y10T 74/20618; Y10T 74/20684; Y10T
74/20624; Y10T 74/20468; Y10T 16/61;
Y10T 16/4719; Y10T 16/86; Y10S 16/30;
Y10S 292/31; Y10S 292/53; Y10S 16/12;
Y10S 292/23; Y10S 292/27; Y10S 292/30;
Y10S 292/63; E05B 85/16; E05B 1/0015;
E05B 77/06; E05B 79/06; E05B 85/18;

Primary Examiner — Derrick Holland

Assistant Examiner — Lauren Calve

(74) *Attorney, Agent, or Firm* — Christie, Parker & Hale,
LLP

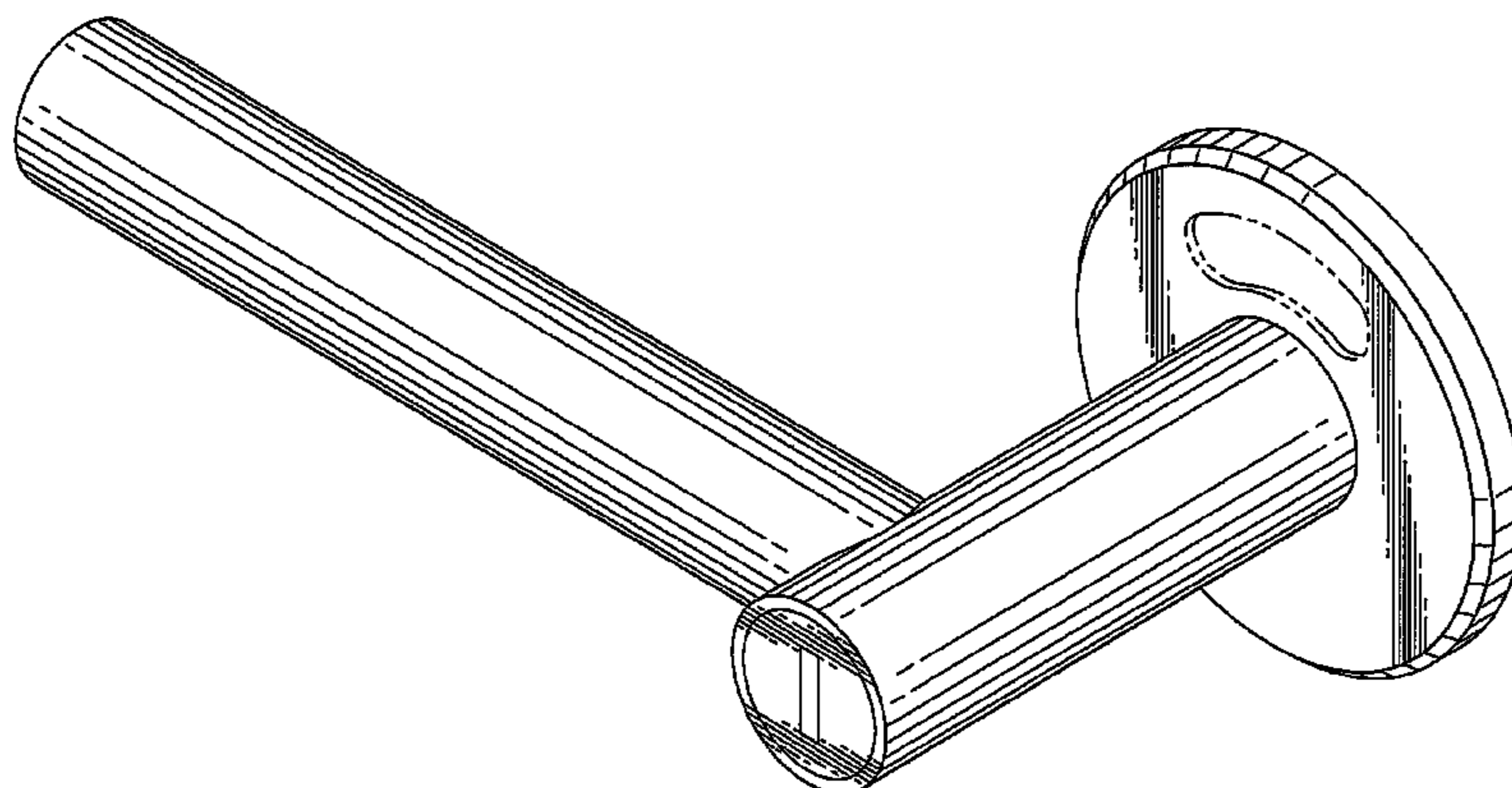
(57) **CLAIM**

The ornamental design for a handle, as shown and described.

DESCRIPTION

FIG. 1 is a perspective view of a handle according to a first embodiment;
FIG. 2 is a top view thereof;
FIG. 3 is a front view thereof;
FIG. 4 is a left side view thereof;
FIG. 5 is a right side view thereof;
FIG. 6 is a perspective view of a handle according to a second embodiment;
FIG. 7 is a top view thereof;
FIG. 8 is a front view thereof;
FIG. 9 is a left side view thereof; and,
FIG. 10 is a right side view thereof.
The broken lines shown represent unclaimed subject matter and form part of the claimed design.

1 Claim, 8 Drawing Sheets



(56)

References Cited

U.S. PATENT DOCUMENTS

D504,309 S * 4/2005 Fuchs D8/367
D509,126 S * 9/2005 Vilallonga Kirovac D8/308
D526,388 S * 8/2006 Haug et al. D23/238
D579,525 S * 10/2008 Zhang D23/250
D586,430 S * 2/2009 Shieh D23/242

D611,572 S * 3/2010 Gao D23/250
D621,682 S * 8/2010 Roberts, III D8/308
D627,441 S * 11/2010 Sedwick D23/252
D691,451 S * 10/2013 Weathersby et al. D8/302
D700,957 S * 3/2014 Mendoza et al. D23/254
D708,039 S * 7/2014 Aispuro et al. D8/301
2007/0107162 A1 * 5/2007 Davis 16/110.1
2010/0019516 A1 * 1/2010 Williamson 292/336.3

* cited by examiner

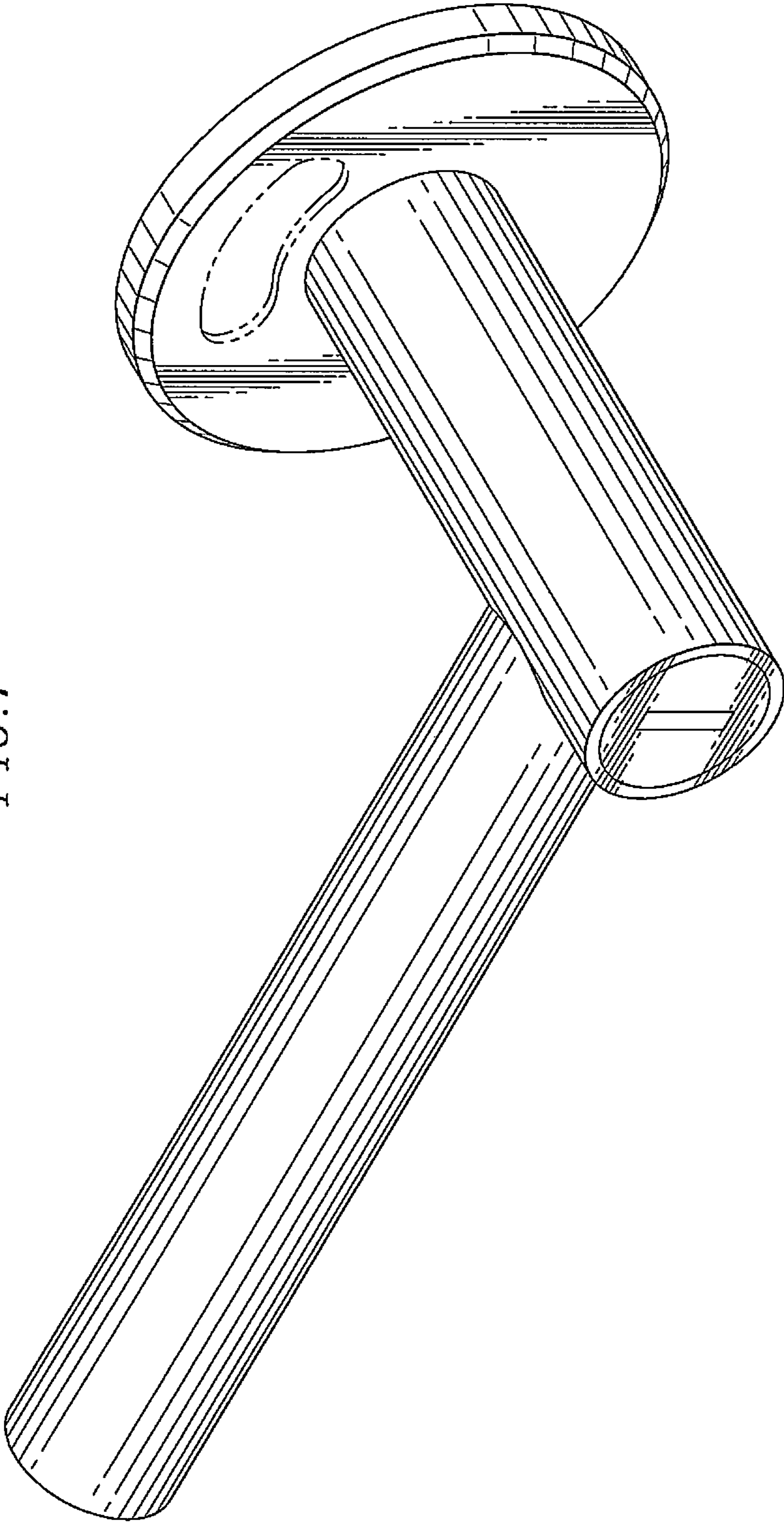


FIG. 1

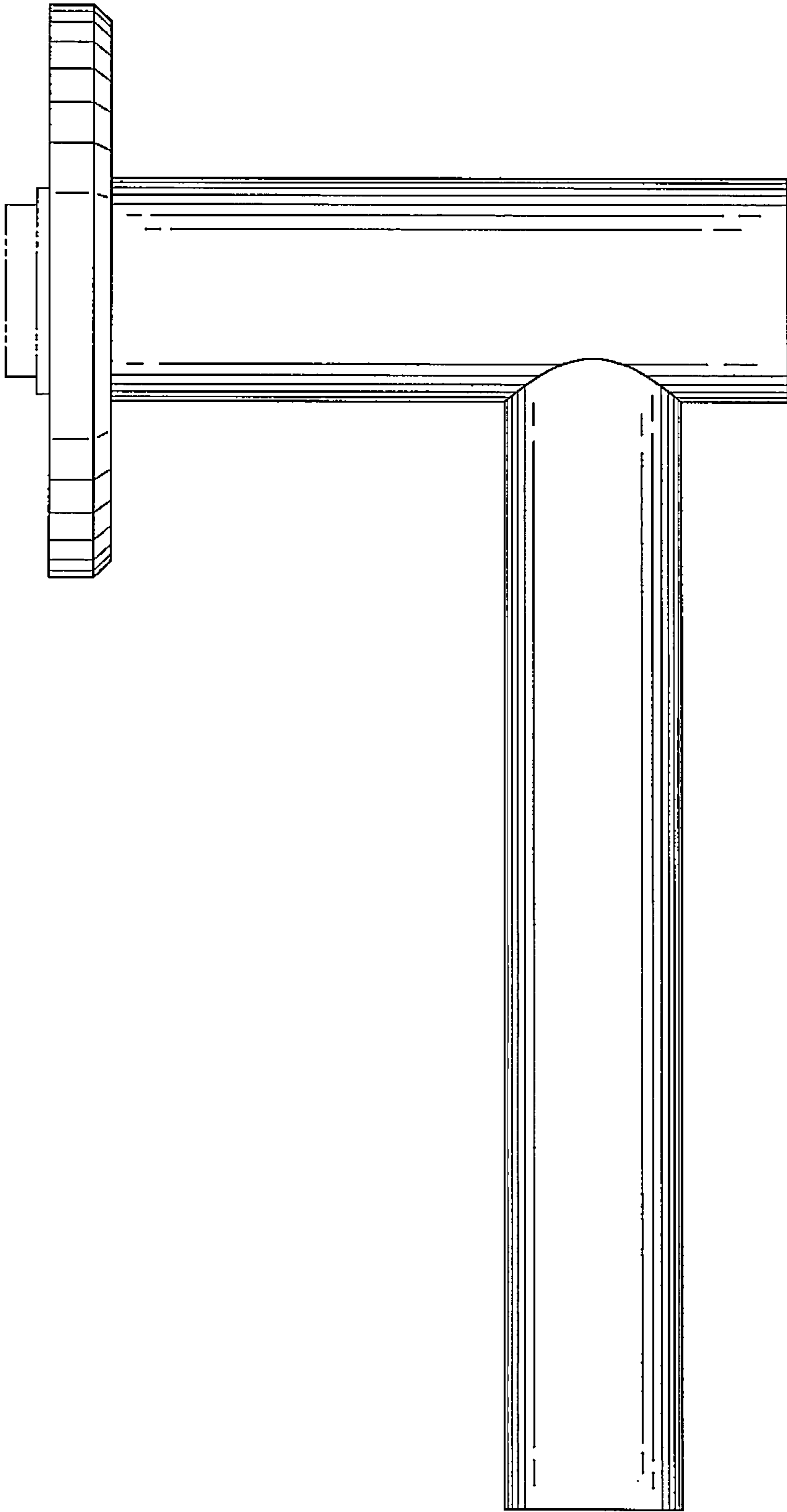


FIG. 2

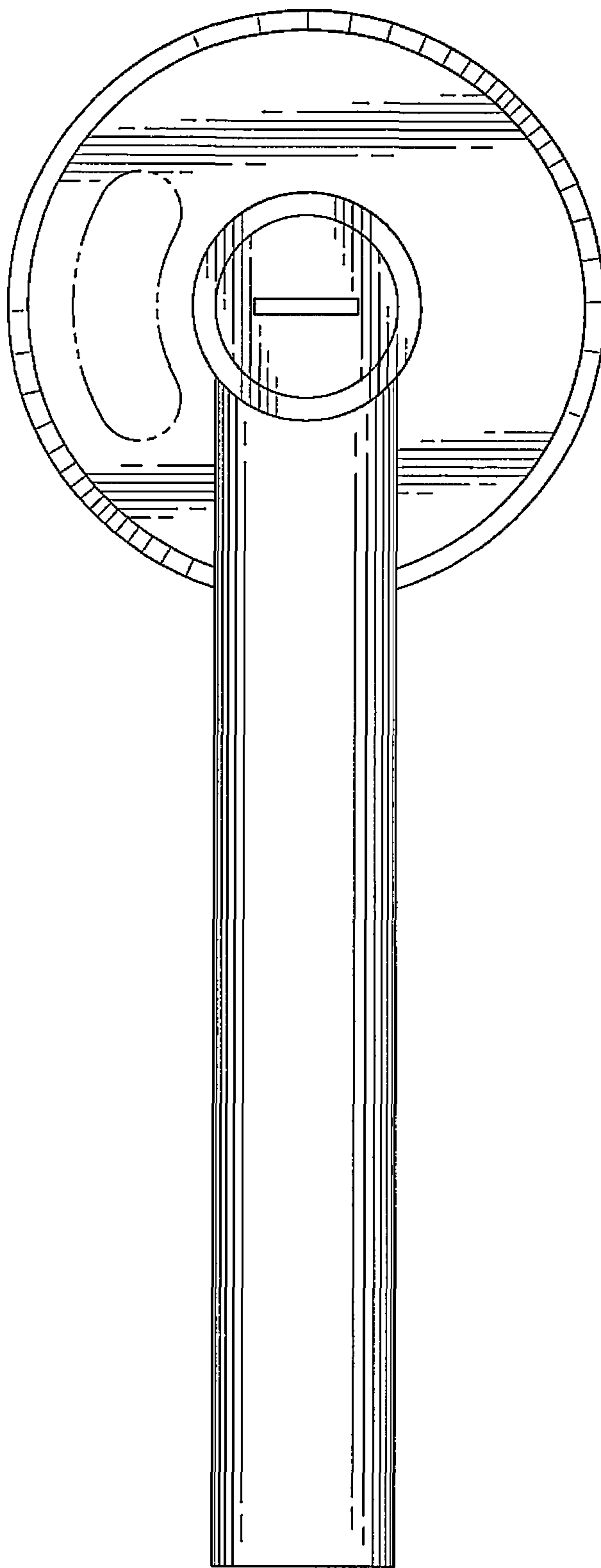


FIG. 3

FIG. 5

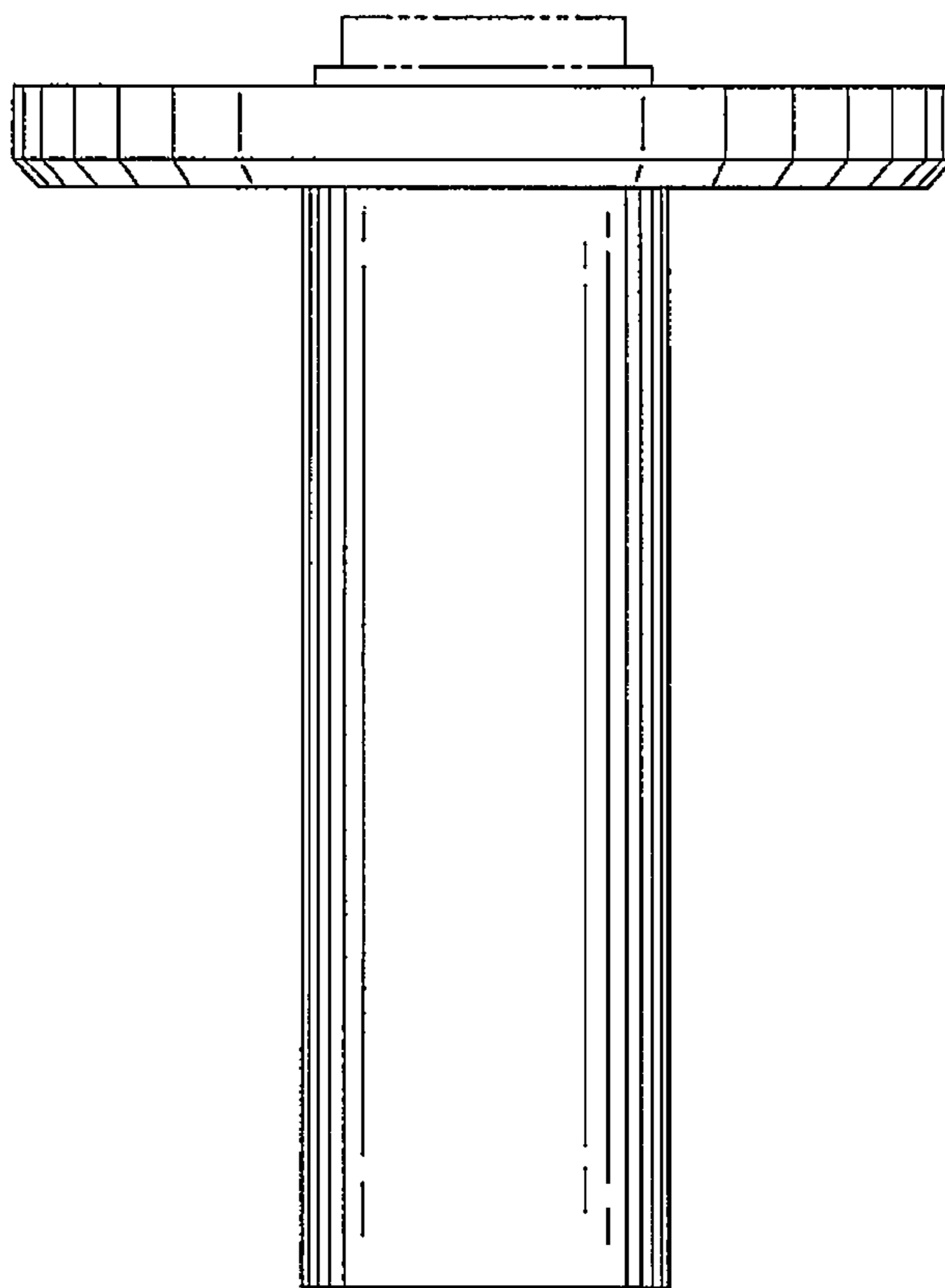
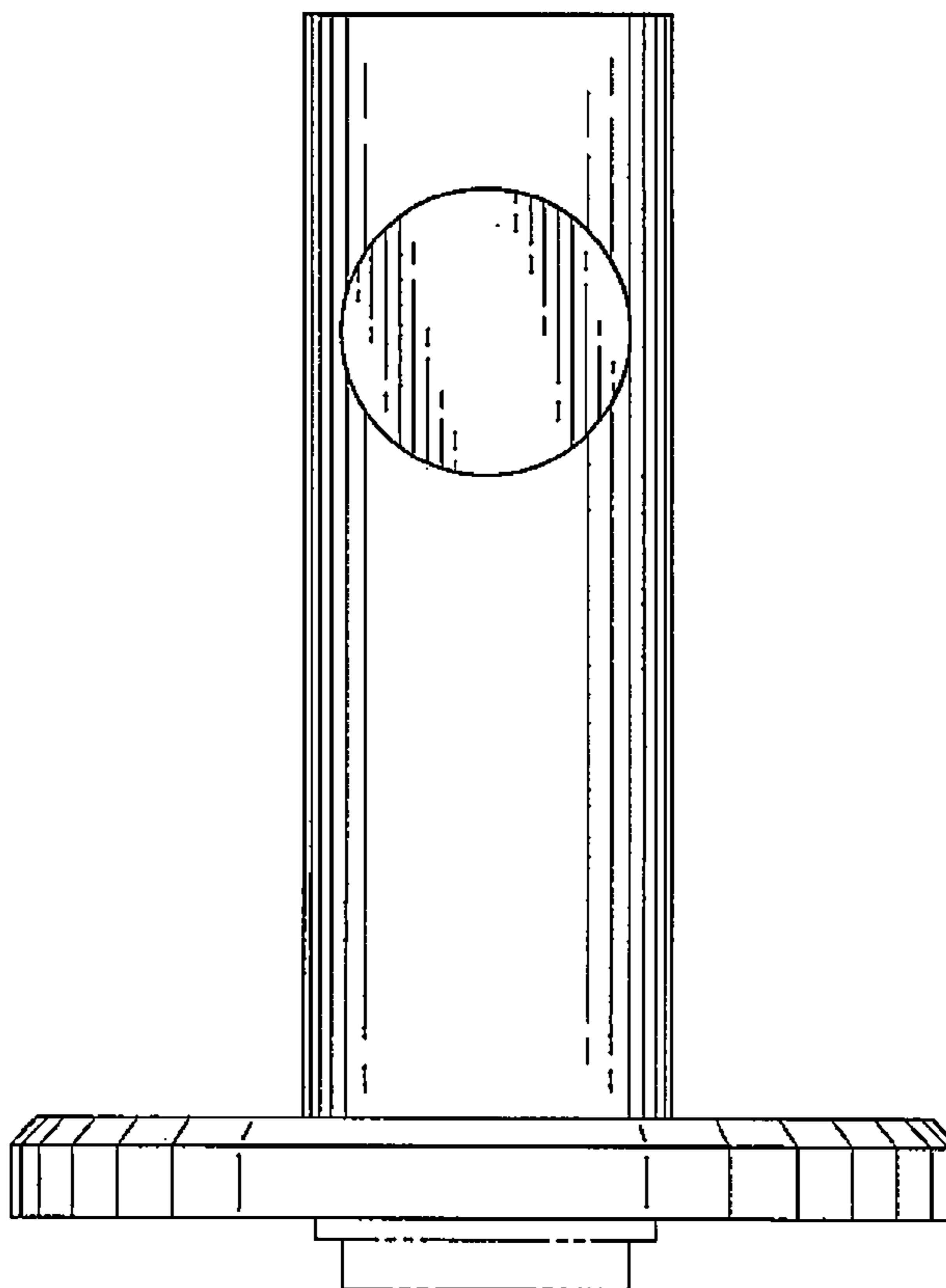


FIG. 4



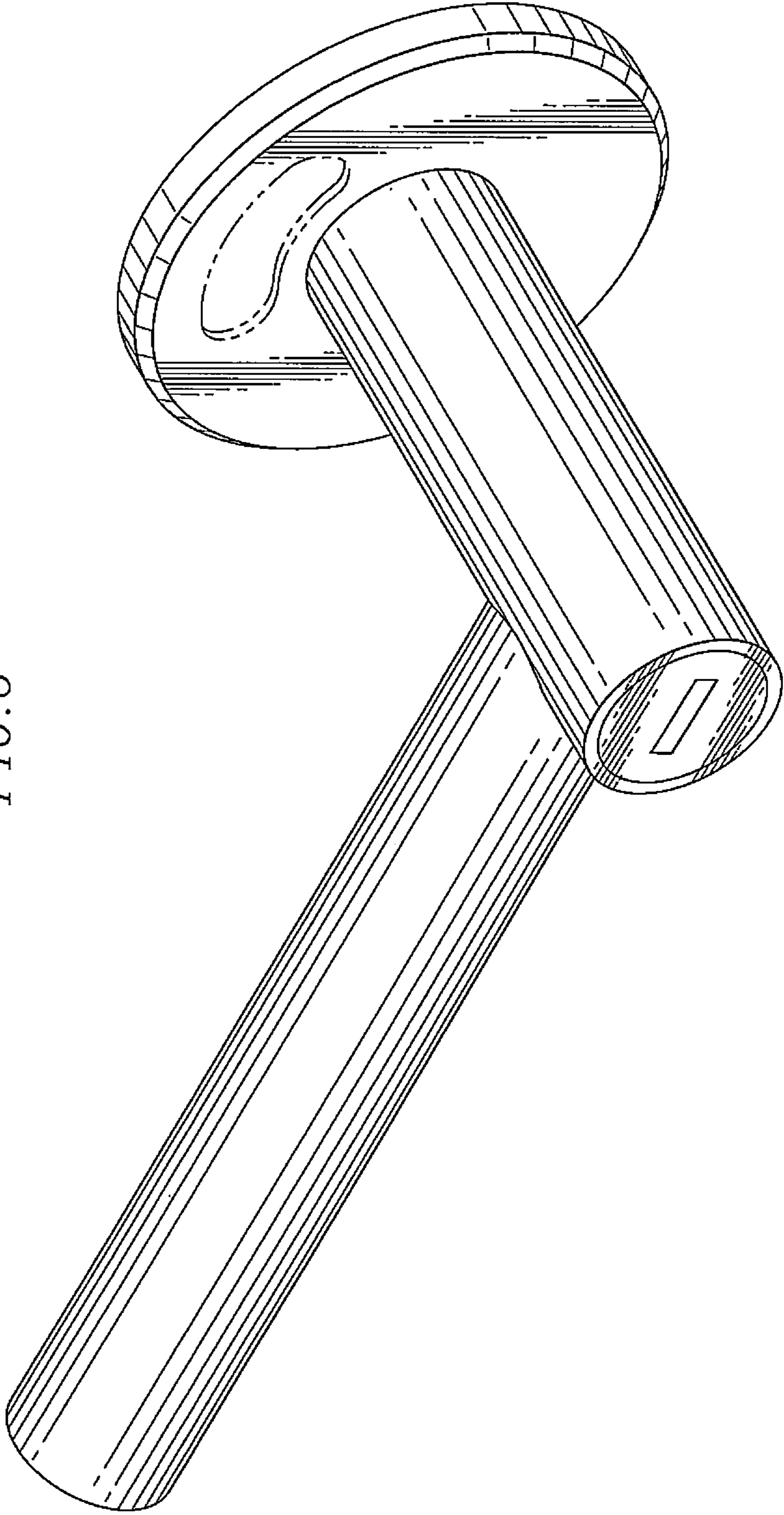


FIG. 6

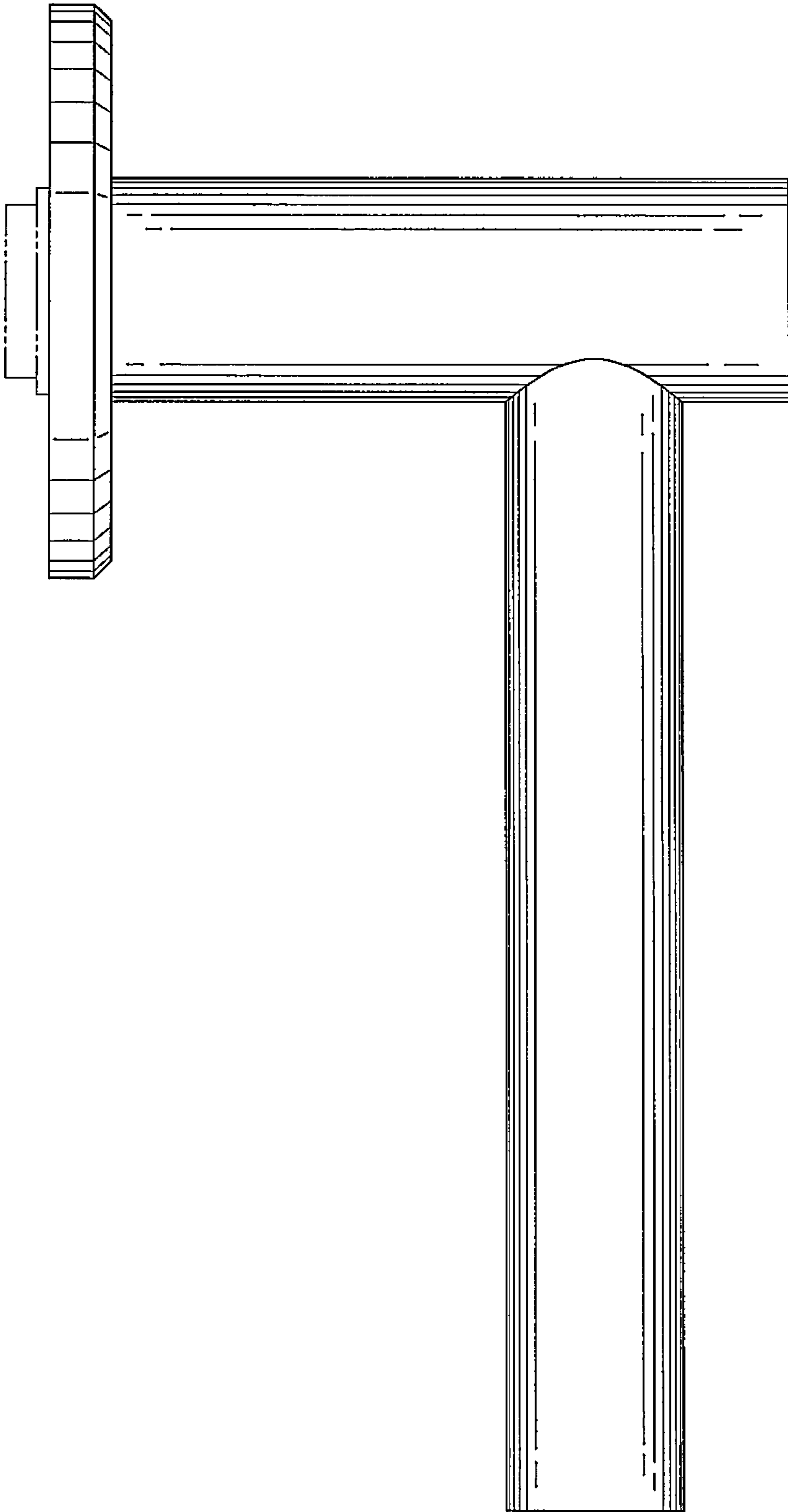


FIG. 7

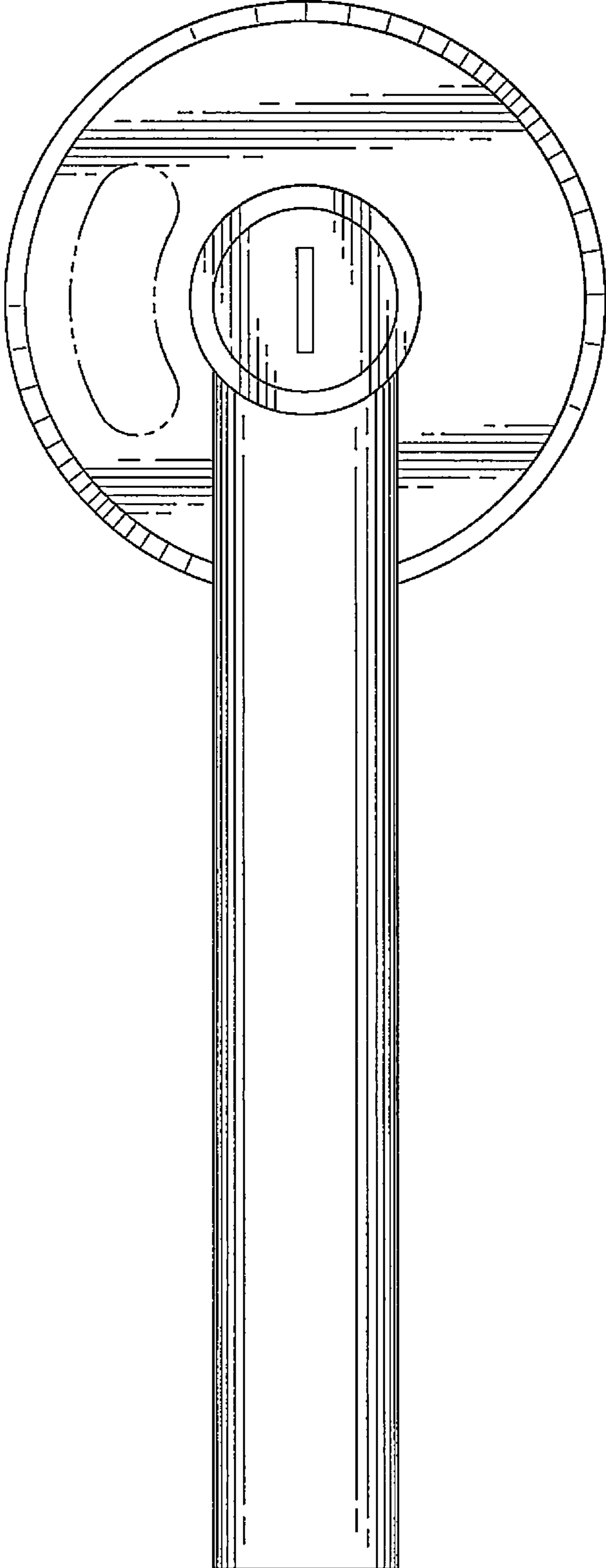


FIG. 8

FIG. 10

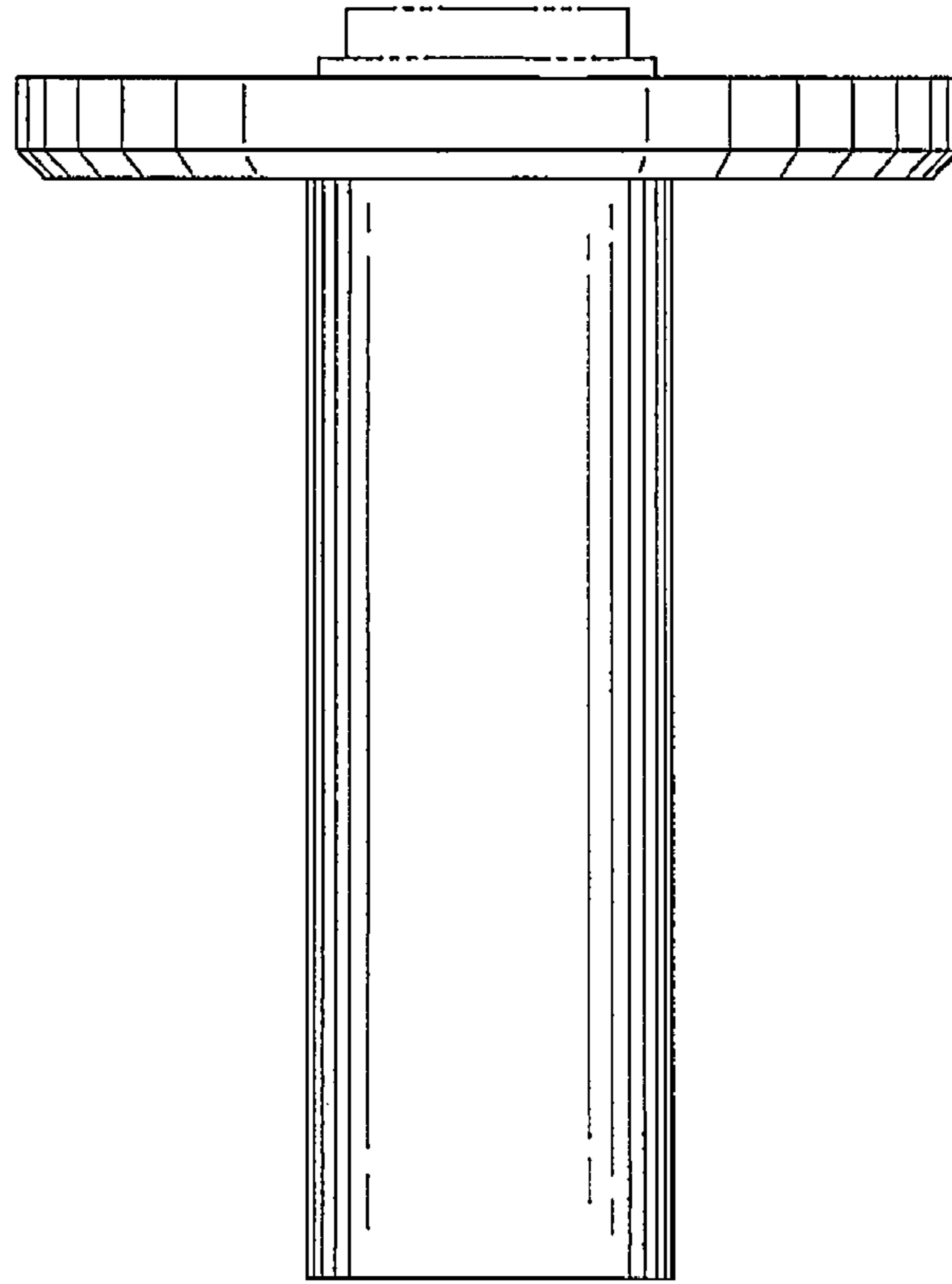


FIG. 9

