



US00D737651S

(12) **United States Design Patent**  
**Masalin et al.**

(10) **Patent No.:** **US D737,651 S**  
(45) **Date of Patent:** **\*\* Sep. 1, 2015**

- (54) **TOOL HANDLE**
- (71) Applicant: **Fiskars Brands Finland Oy Ab**, Billnäs (FI)
- (72) Inventors: **Petteri Masalin**, Helsinki (FI); **Heli Säde**, Billnäs (FI); **Veikko Mäkipelto**, Billnäs (FI); **Juha Huhtala**, Karjaa (FI)
- (73) Assignee: **Fiskars Brands Finland Oy Ab**, Billnäs (FI)

776,734 A	12/1904	Fuller	
910,763 A	1/1909	Yeatts	
1,354,384 A	9/1920	Doolittle	
1,943,807 A	1/1934	Bellerive	
3,090,653 A	5/1963	Stump	
D237,582 S *	11/1975	Mostyn	D8/75
D267,469 S *	1/1983	Crowder	D8/75
4,440,205 A *	4/1984	Hillinger	30/308.1
D324,473 S *	3/1992	Chen	D8/80
D325,863 S *	5/1992	Chen	D8/75
D354,212 S	1/1995	Ronnholm et al.	
D356,480 S	3/1995	Ronnholm et al.	
D362,795 S *	10/1995	Ronnholm	D8/76

(Continued)

- (\*\*) Term: **14 Years**
- (21) Appl. No.: **29/466,972**
- (22) Filed: **Sep. 13, 2013**

(30) **Foreign Application Priority Data**

Mar. 22, 2013 (EM) ..... 002207555-0001  
 Mar. 22, 2013 (EM) ..... 002207555-0004

- (51) **LOC (10) Cl.** ..... **08-02**
- (52) **U.S. Cl.**  
USPC ..... **D8/107**

- (58) **Field of Classification Search**  
USPC ..... D8/75-81, 105, 107, 303; 81/19-26,  
81/489-490; 76/103; D22/117  
CPC ..... B25G 1/10; B25G 3/34; B26B 23/00  
See application file for complete search history.

(56) **References Cited**

**U.S. PATENT DOCUMENTS**

327,275 A	9/1885	Kelly
402,936 A	5/1889	Kelly
542,973 A	7/1895	Carver
561,409 A	6/1896	Mann
D29,680 S	11/1898	Kelly
653,234 A	7/1900	Graham

**OTHER PUBLICATIONS**

Fiskars Splitting Axe. Snagged Jun. 30, 2011 at <http://www.amazon.com/Fiskars-X25-7854-28-Inch-Splitting/dp/B00004SD7B>, 1 page.

*Primary Examiner* — Philip S Hyder  
*Assistant Examiner* — Roselynn Cody

(74) *Attorney, Agent, or Firm* — Foley & Lardner LLP

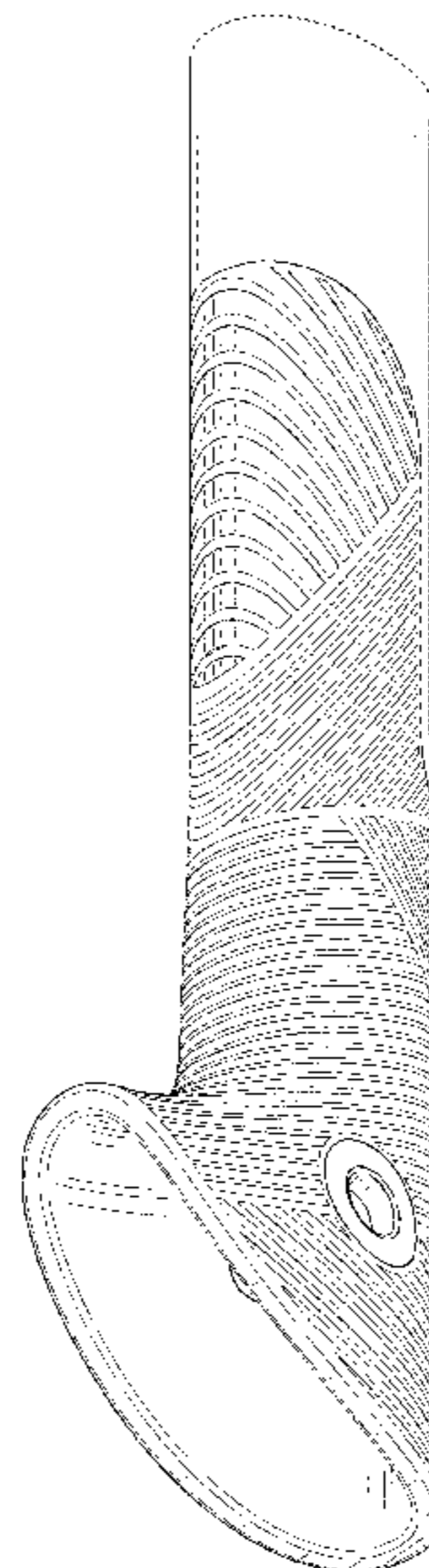
(57) **CLAIM**

The ornamental design for a tool handle, as shown and described.

**DESCRIPTION**

FIG. 1 is a front, lower, right perspective view of an embodiment of the tool handle;  
 FIG. 2 is a front, upper, right perspective view thereof;  
 FIG. 3 is a rear, upper, left perspective view thereof;  
 FIG. 4 is a right side elevation view thereof;  
 FIG. 5 is a front view thereof;  
 FIG. 6 is a left side elevation view thereof;  
 FIG. 7 is a rear view thereof; and,  
 FIG. 8 is a bottom view thereof.  
 The broken lines in the drawings indicate the top boundary of the tool handle, beyond which no design claim is made.

**1 Claim, 8 Drawing Sheets**



(56)

**References Cited**

U.S. PATENT DOCUMENTS

D384,564 S *	10/1997	Bengtsson et al.	.....	D8/75	D544,777 S *	6/2007	Yeh	.....	D8/303
5,701,675 A *	12/1997	Hall et al.	.....	30/123	D570,182 S *	6/2008	Chen	.....	D8/303
D402,874 S *	12/1998	Hall et al.	.....	D8/76	D583,641 S *	12/2008	Fortier et al.	.....	D8/76
D452,126 S *	12/2001	Hung	.....	D8/75	D595,554 S	7/2009	Hardinge et al.		
D511,082 S *	11/2005	Chen	.....	D8/80	D605,922 S *	12/2009	Reinius	.....	D8/75
D519,813 S *	5/2006	Hung	.....	D8/76	D612,223 S *	3/2010	DePretto	.....	D8/303
D524,627 S *	7/2006	Chen	.....	D8/80	D619,442 S *	7/2010	Chen	.....	D8/80
D531,479 S *	11/2006	Davis	.....	D8/80	D648,610 S	11/2011	Paloheimo		
					D708,923 S *	7/2014	Wingate	.....	D8/107
					D716,126 S *	10/2014	Dahlberg et al.	.....	D8/75

\* cited by examiner

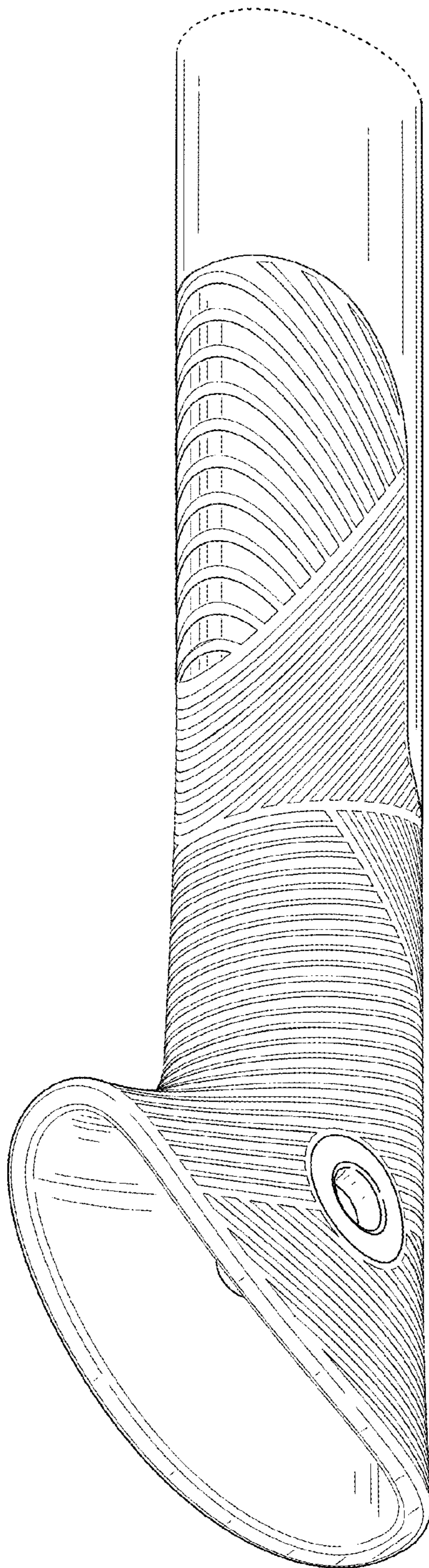


FIG. 1

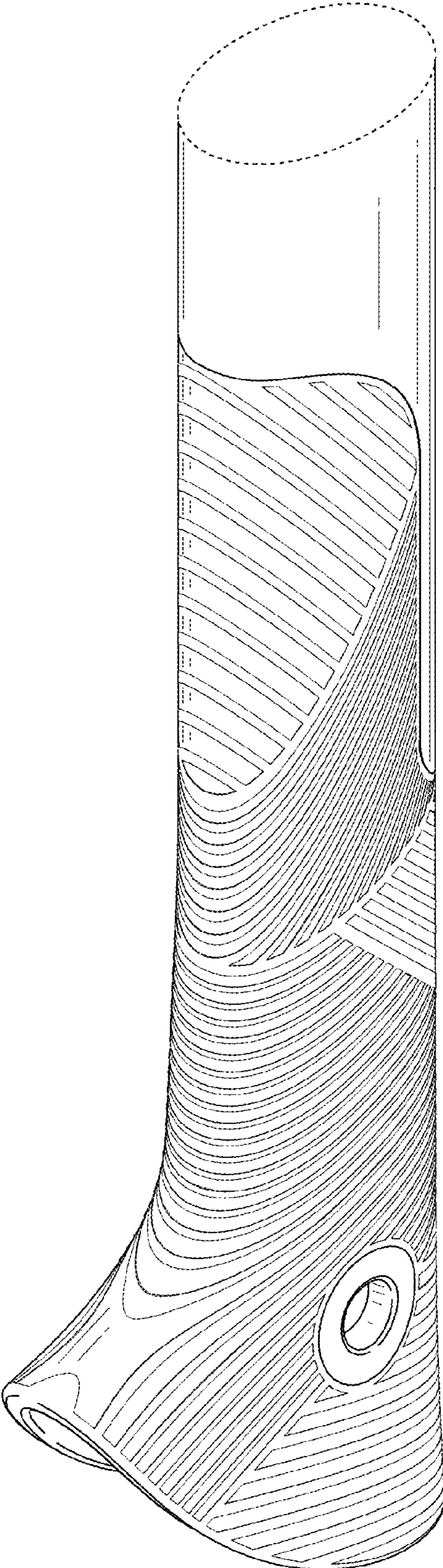


FIG. 2

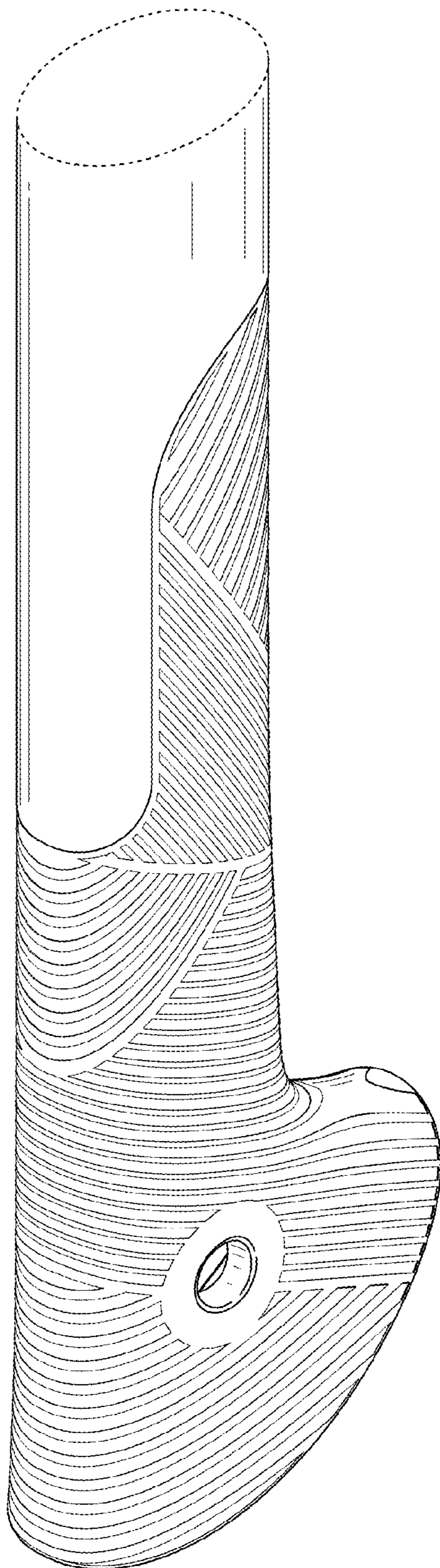


FIG. 3

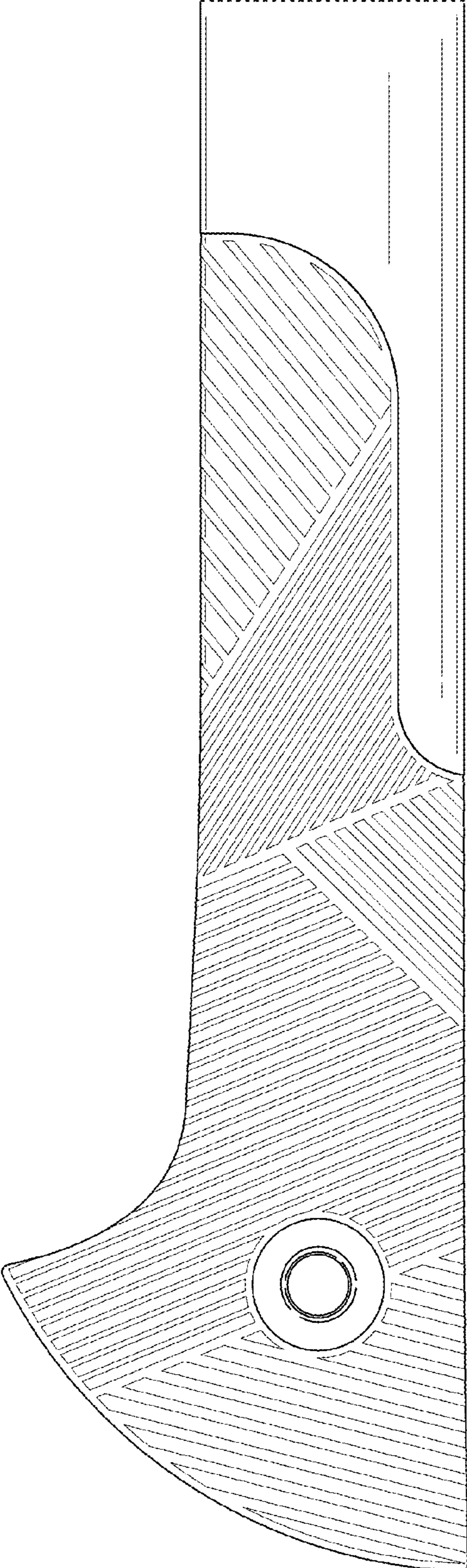


FIG. 4

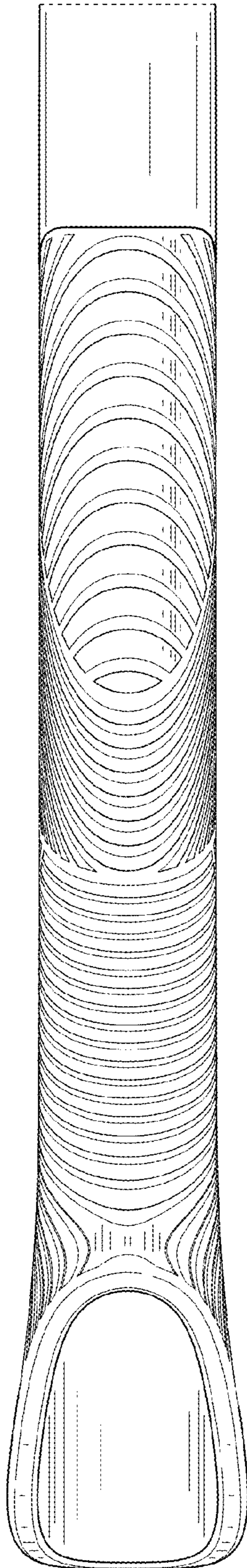


FIG. 5

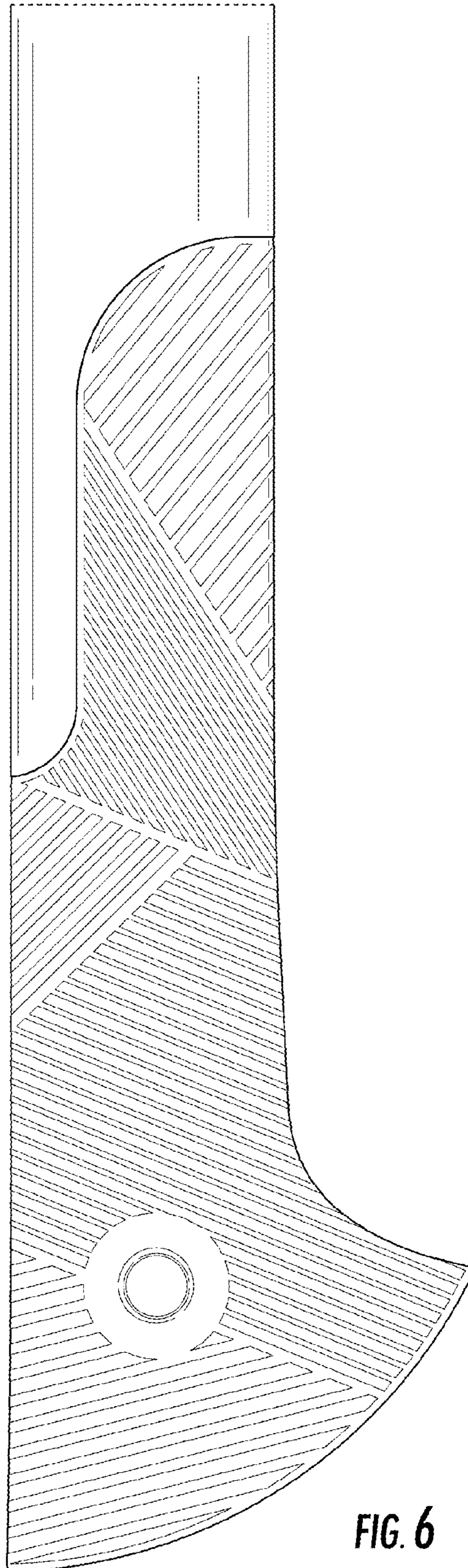


FIG. 6



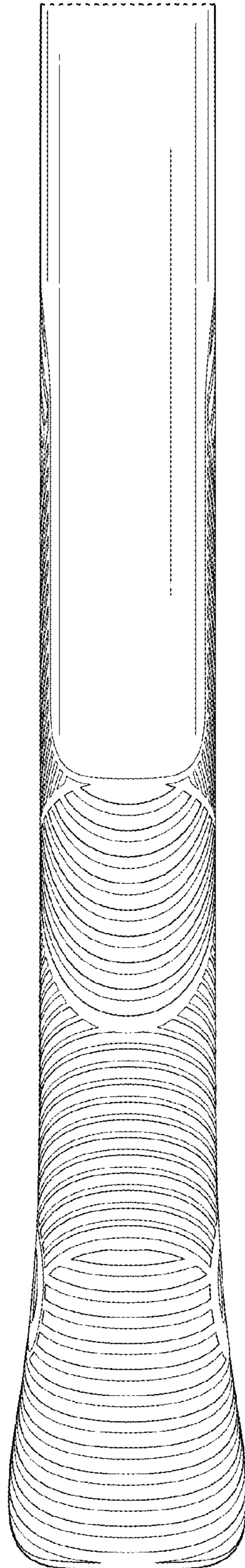
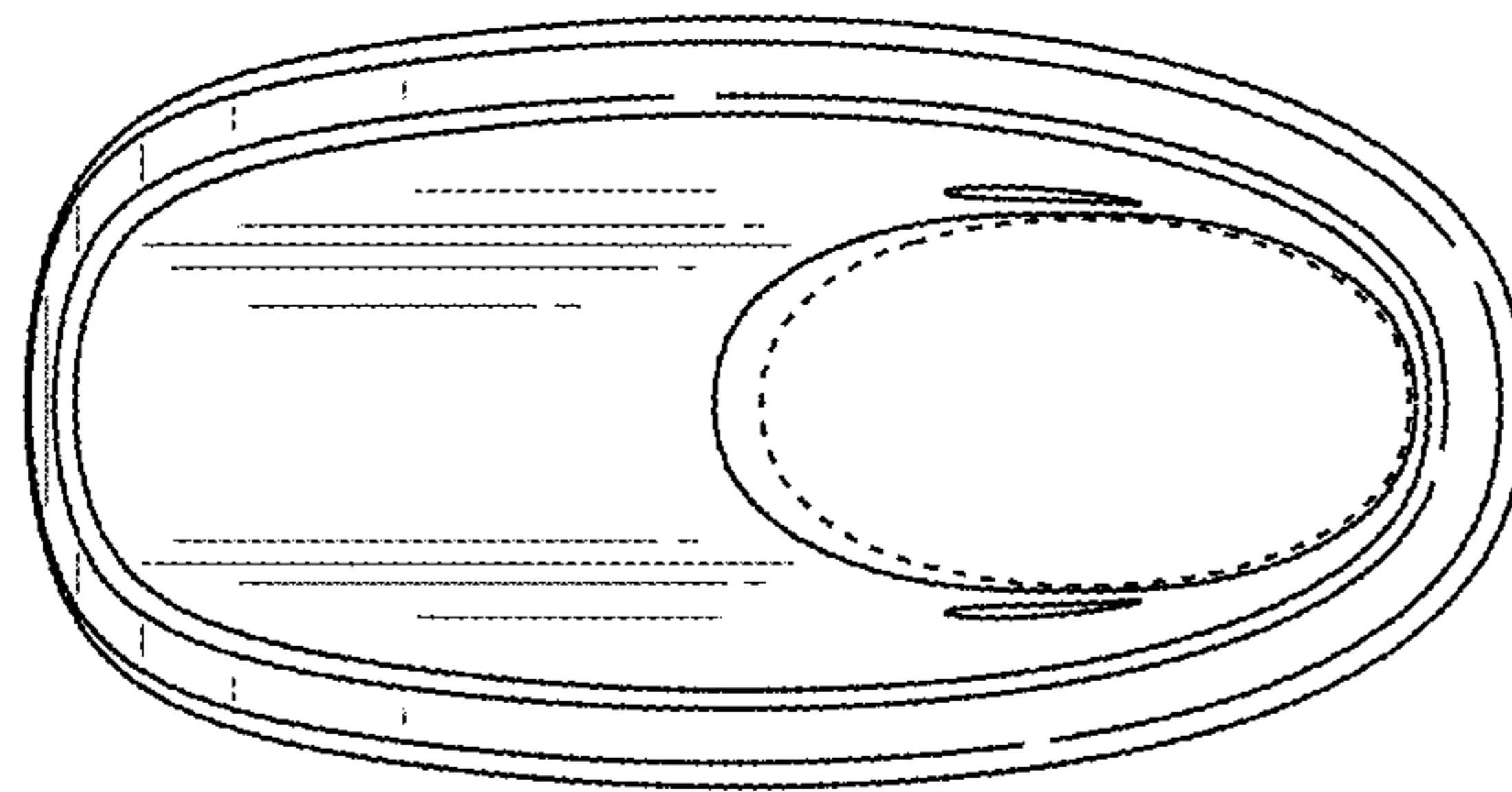


FIG. 7



**FIG. 8**