



US00D737649S

(12) **United States Design Patent**
Hirai

(10) **Patent No.:** **US D737,649 S**
(45) **Date of Patent:** **** Sep. 1, 2015**

(54) **KNIFE SHARPENER**

(75) Inventor: **Akira Hirai**, Kawaguchi (JP)
(73) Assignee: **Forever Co., Ltd.**, Kawaguchi-shi (JP)
(**) Term: **14 Years**

(21) Appl. No.: **29/417,495**
(22) Filed: **Apr. 4, 2012**
(51) **LOC (10) Cl.** **08-05**
(52) **U.S. Cl.**
USPC **D8/93**
(58) **Field of Classification Search**
USPC D7/416; D8/90-94, 105; 451/461, 486,
451/552, 555-558; 30/138, 139
See application file for complete search history.

(56) **References Cited**

U.S. PATENT DOCUMENTS

1,477,488	A *	12/1923	Holland	30/138
1,732,705	A *	10/1929	Whittemore	30/138
1,890,506	A *	12/1932	Frank et al.	30/138
2,700,819	A *	2/1955	Mason	30/138
2,749,678	A *	6/1956	Jahn	451/461
3,289,498	A *	12/1966	Pleasants	76/87
3,846,909	A *	11/1974	Clarke	30/138
D269,940	S *	8/1983	Hirosawa	D8/93
D276,886	S *	12/1984	Carter	D8/93
D284,736	S *	7/1986	Kawai et al.	D8/93
5,582,535	A *	12/1996	Friel	451/45
5,605,495	A *	2/1997	Jenkins, Jr.	451/45
D388,304	S *	12/1997	Friel	D8/93
D394,196	S *	5/1998	Richardson	D8/91
5,868,611	A *	2/1999	Friel	451/461
7,018,281	B2 *	3/2006	Yahav	451/439
2013/0205597	A1 *	8/2013	Hirai	30/138

OTHER PUBLICATIONS

Stage Kitchen Knife and Sharpener. Downloaded from <http://www.jackylingdesign.com/jlx/index.php?/project/stage/> on May 16, 2014.*

* cited by examiner

Primary Examiner — Philip S Hyder
Assistant Examiner — Roselynn Cody
(74) *Attorney, Agent, or Firm* — Baker Hostetler LLP

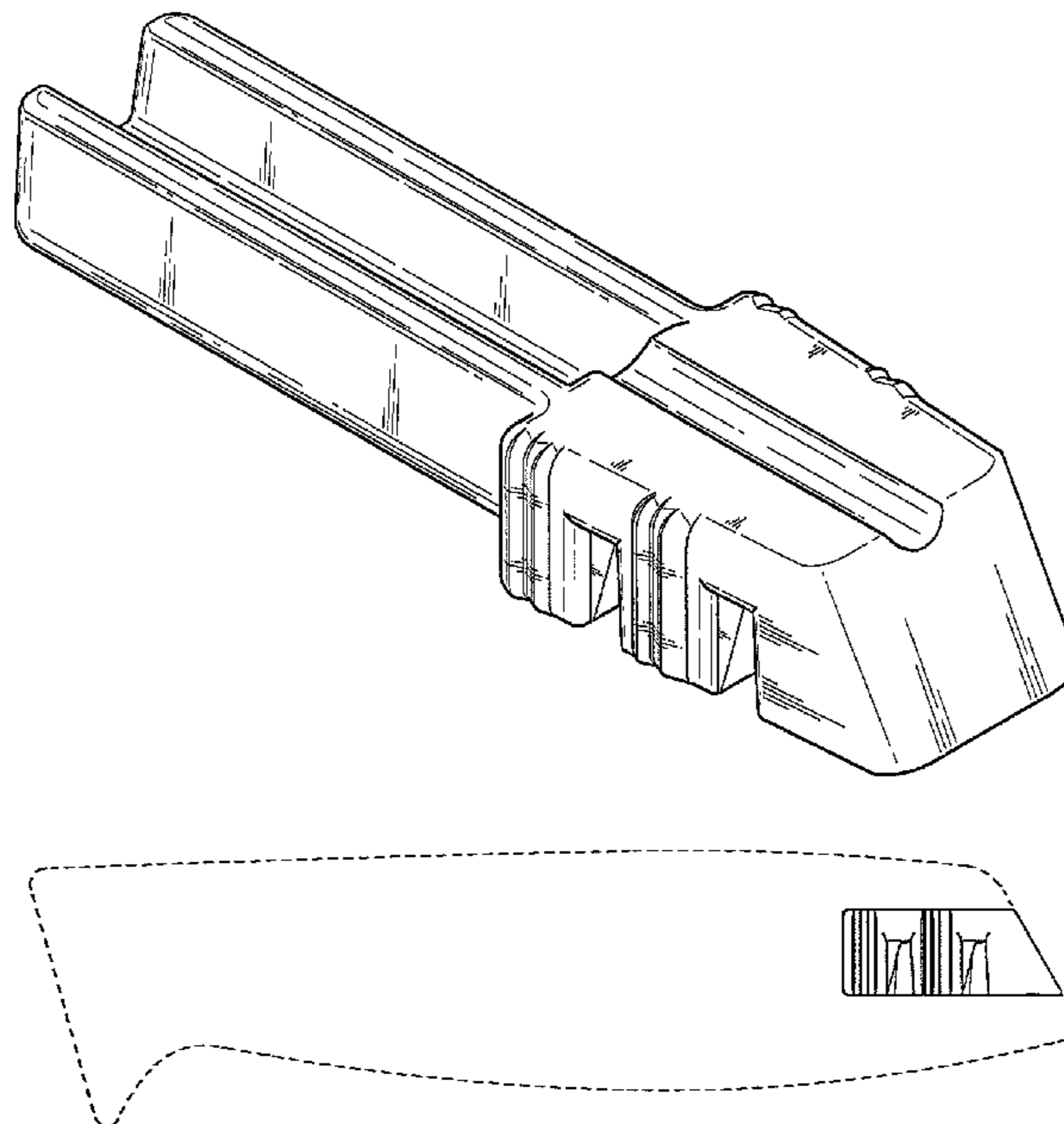
(57) **CLAIM**

The ornamental design for a knife sharpener, as shown and described.

DESCRIPTION

FIG. 1 is a perspective view of a knife sharpener showing my new design from above;
FIG. 2 is a left side view thereof;
FIG. 3 is a right side view thereof;
FIG. 4 is a top view thereof;
FIG. 5 is a bottom view thereof;
FIG. 6 is a front view thereof;
FIG. 7 is a rear view thereof;
FIG. 8 is an additional perspective view thereof from below;
and,
FIG. 9 is a right side view of the knife sharpener, shown removably attached to a knife handle in broken line for completeness of illustration.
The broken lines shown in the drawings are for illustrative purposes only and form no part of the claimed design.

1 Claim, 9 Drawing Sheets



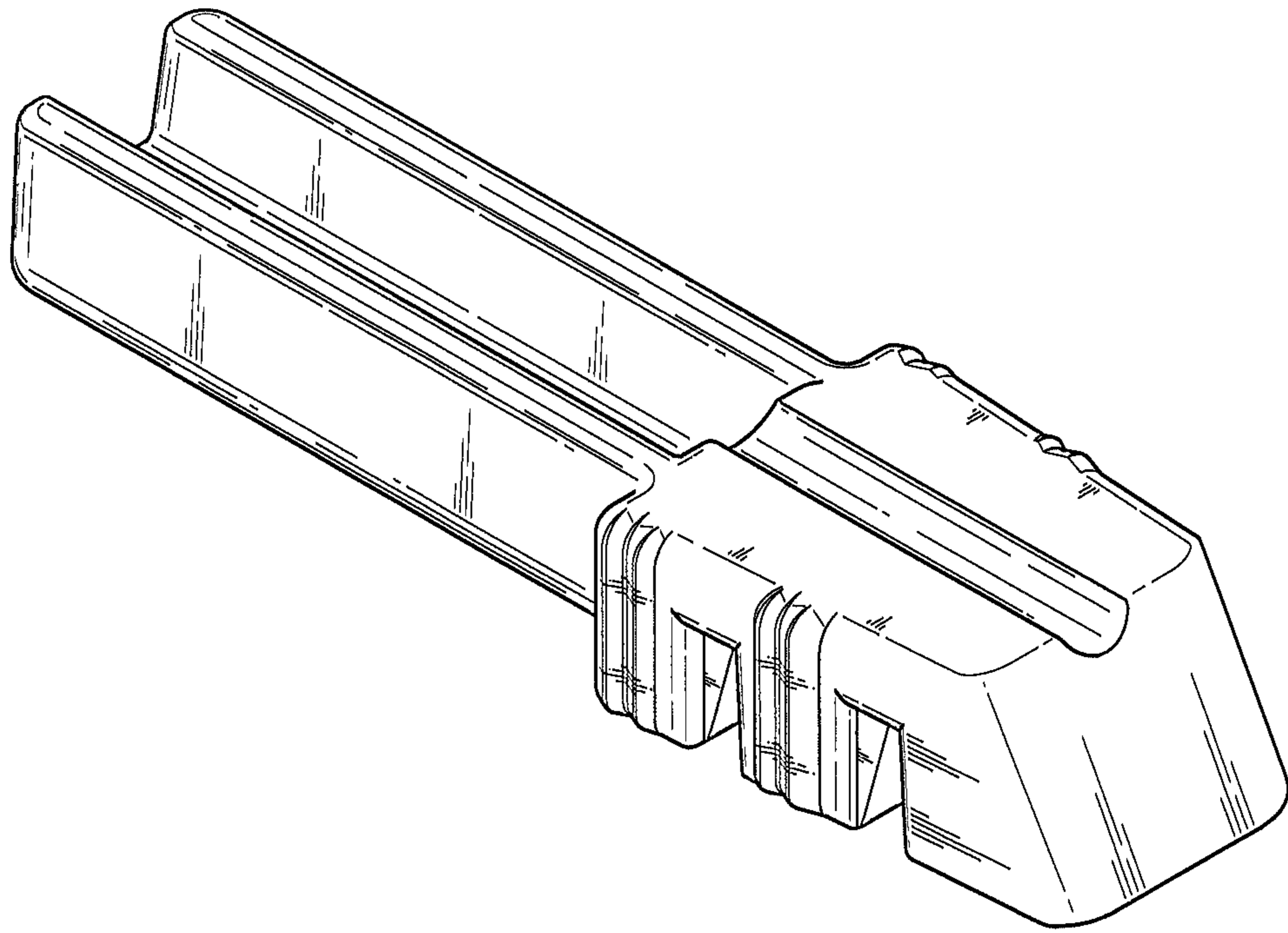


FIG. 1

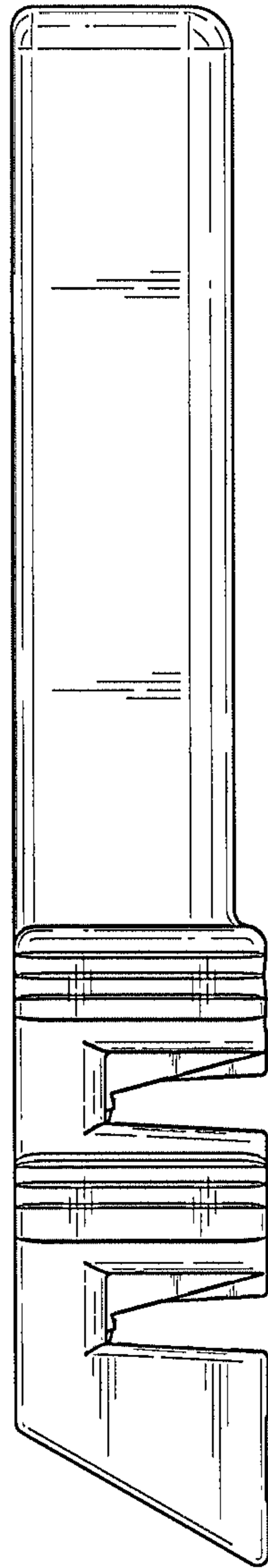


FIG. 2

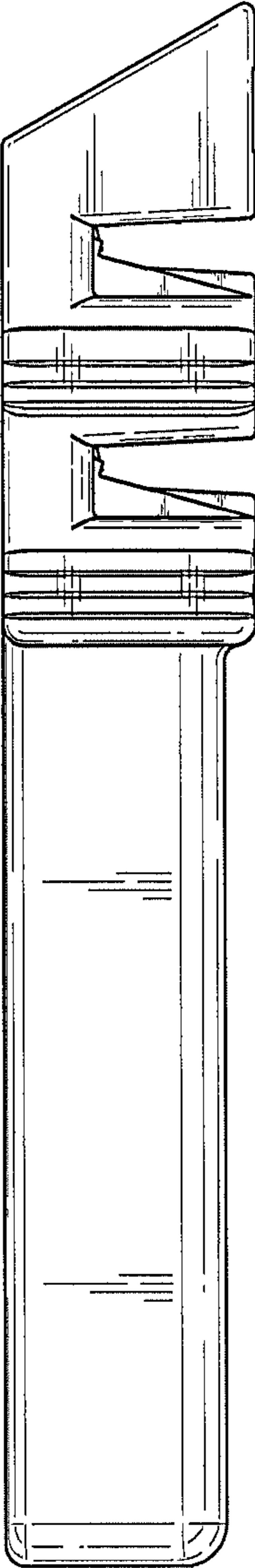


FIG. 3

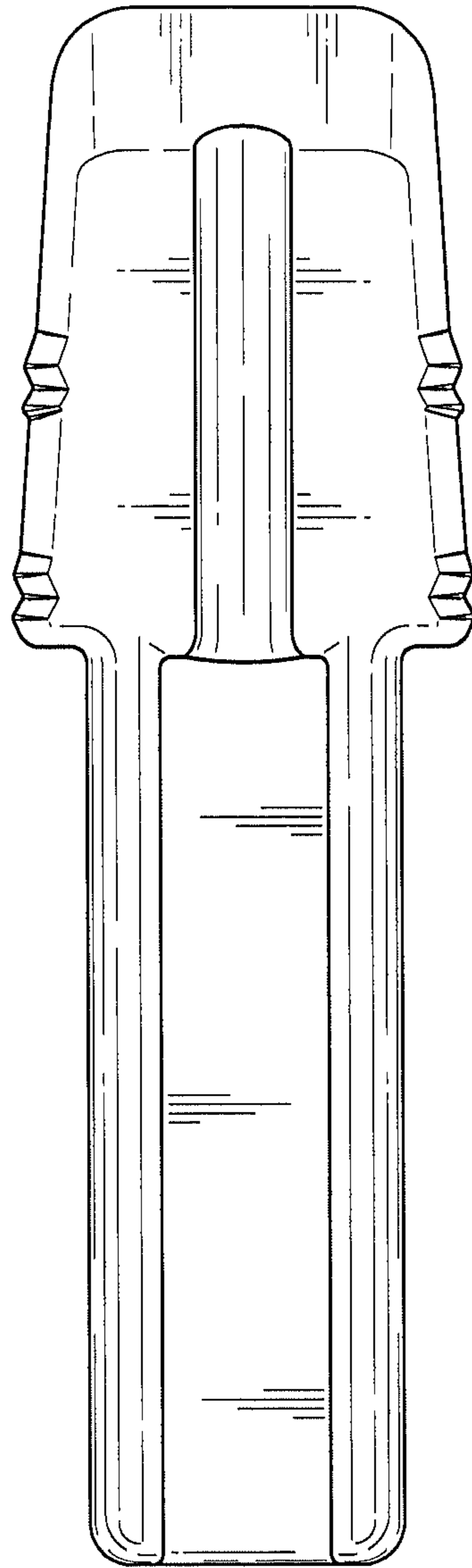


FIG. 4

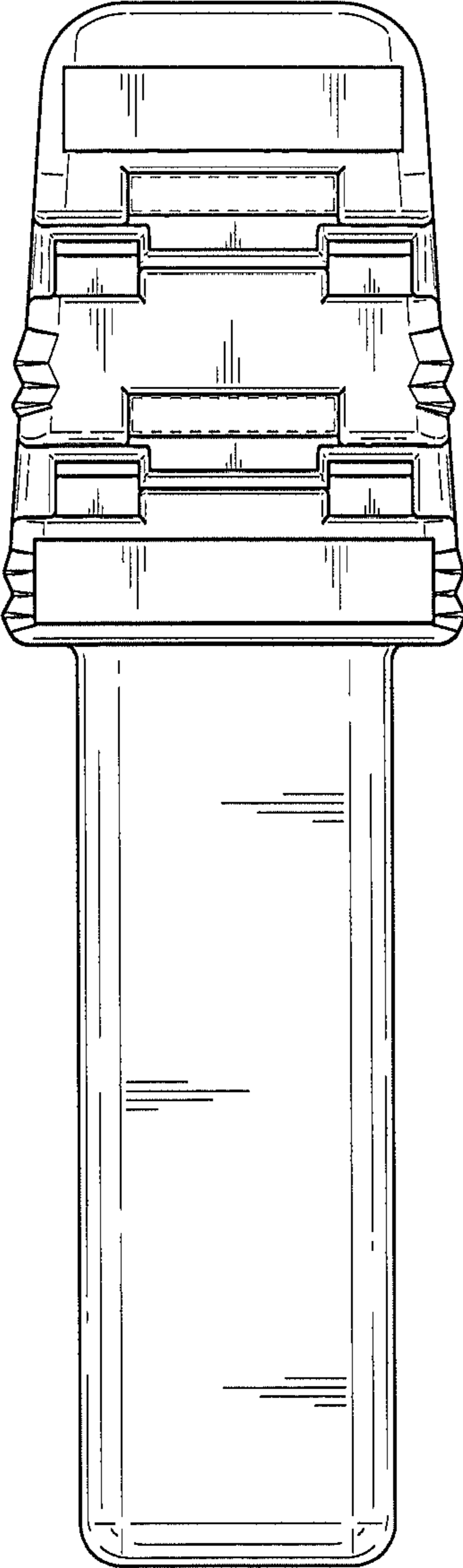


FIG. 5

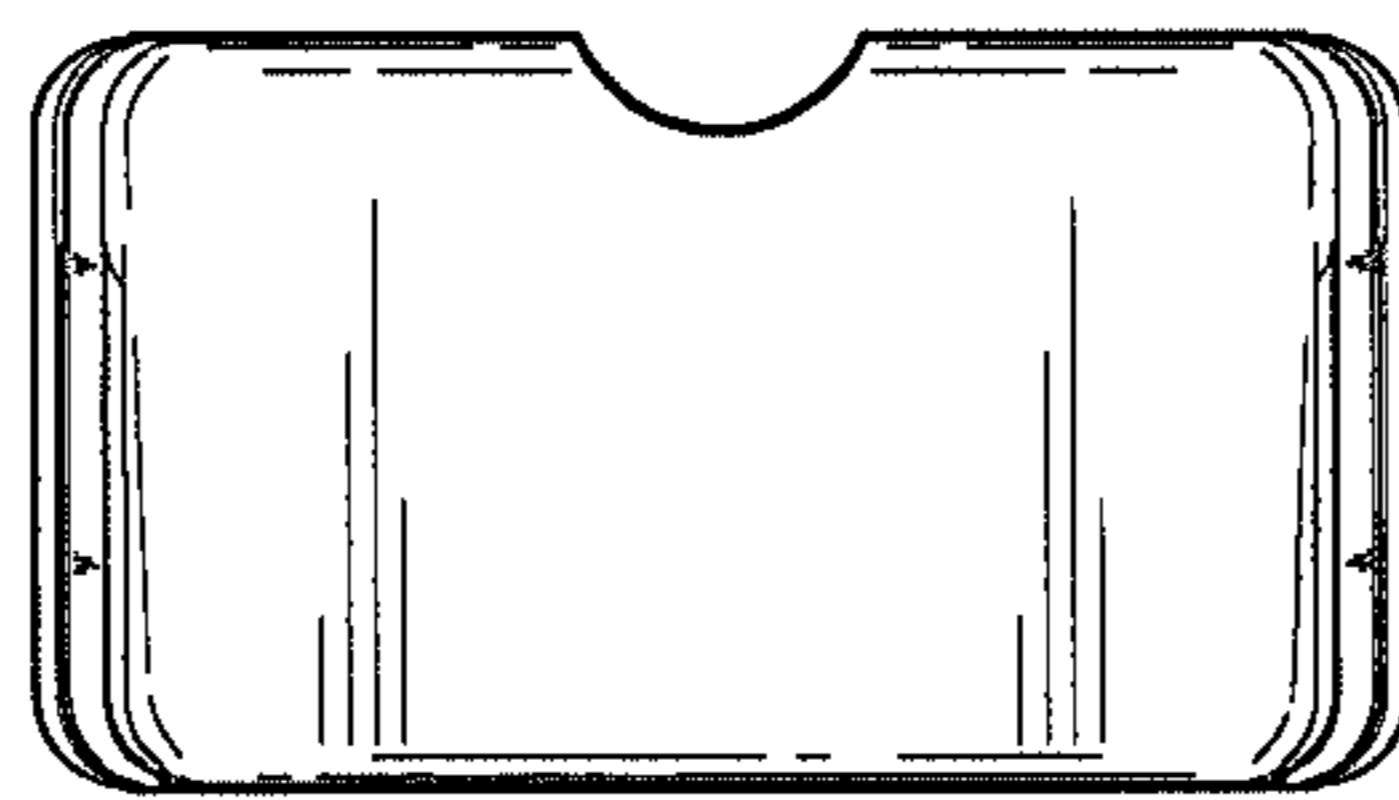


FIG. 6

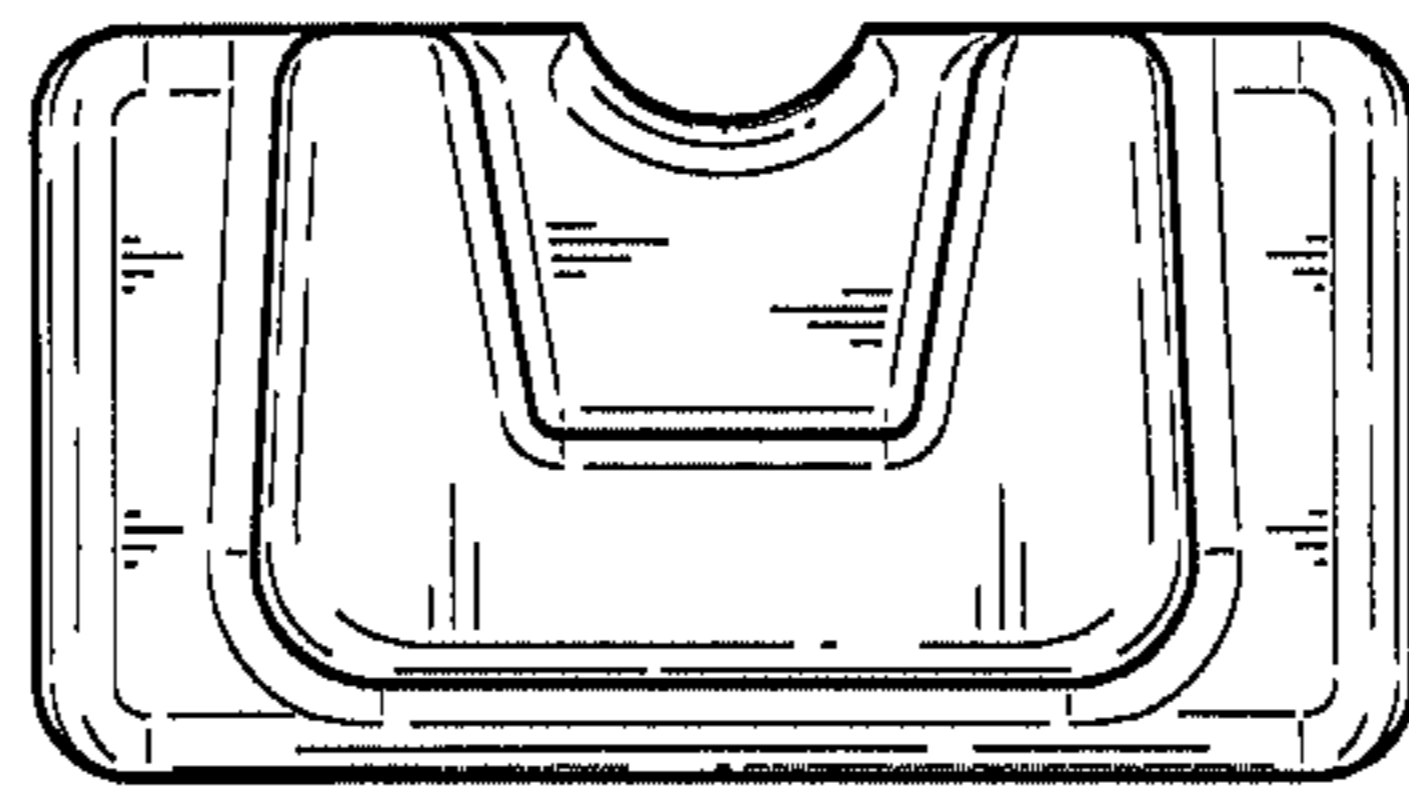


FIG. 7

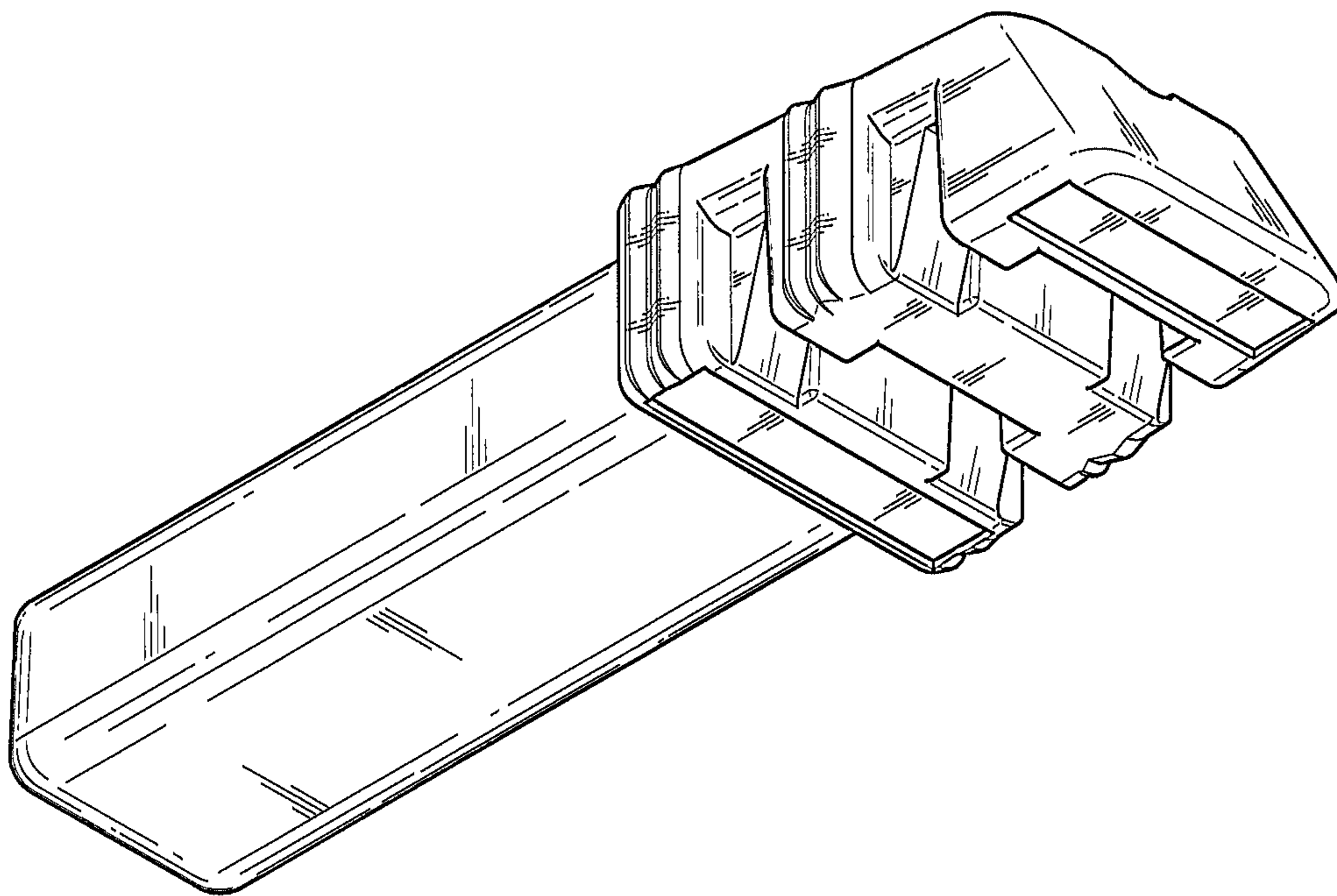


FIG. 8

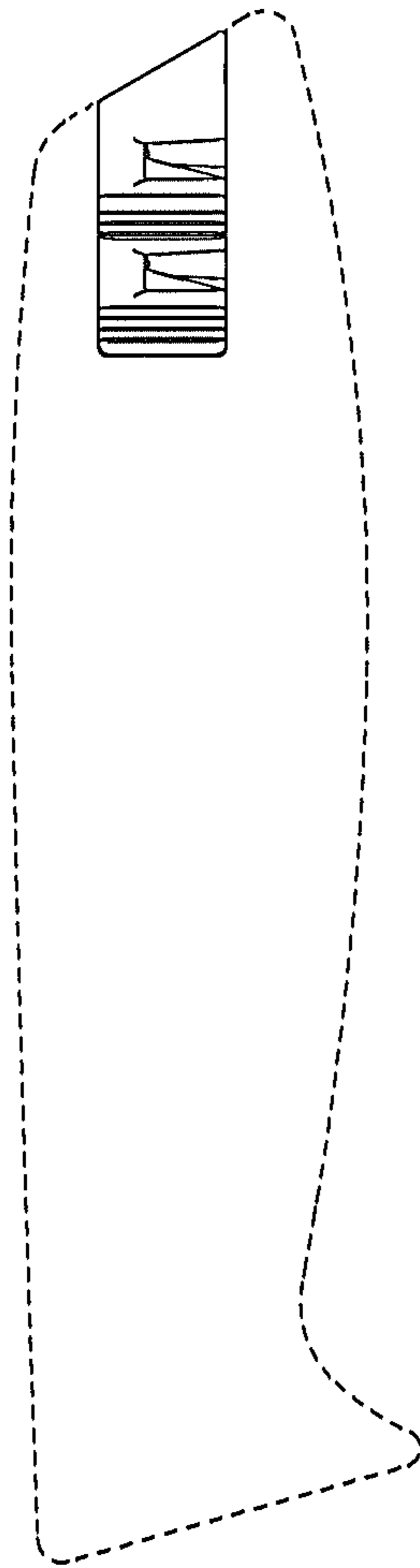


FIG. 9