



US00D737644S

(12) **United States Design Patent**
Fischer

(10) **Patent No.:** **US D737,644 S**

(45) **Date of Patent:** **** Sep. 1, 2015**

(54) **BOTTLE OPENER AND LIGHTER HOLDER**

(71) Applicant: **Brett William Fischer**, Lee's Summit,
MO (US)

(72) Inventor: **Brett William Fischer**, Lee's Summit,
MO (US)

(**) Term: **14 Years**

(21) Appl. No.: **29/490,532**

(22) Filed: **Jul. 22, 2014**

(51) **LOC (10) Cl.** **07-99**

(52) **U.S. Cl.**
USPC **D8/34; D27/142**

(58) **Field of Classification Search**
USPC D8/16, 18, 33-43, 105, 107, 356, 363;
7/151-152; 81/3.07, 3.09, 3.2, 3.27,
81/3.31, 3.35, 3.45, 3.55; D11/201;
D27/161, 172
CPC B67B 7/16; B67B 7/20; B67B 7/44;
B67B 7/403; B67B 7/406; F23Q 2/32

See application file for complete search history.

(56) **References Cited**

U.S. PATENT DOCUMENTS

758,235	A *	4/1904	Cady	215/226
D160,453	S *	10/1950	Ajouelo	D8/18
D183,727	S *	10/1958	Emberton	D11/201
D220,077	S *	3/1971	Weingardt	D11/201
4,363,432	A *	12/1982	Warthen	224/247
4,923,392	A *	5/1990	Moynihan, III	431/253
D436,008	S *	1/2001	Klein et al.	D8/34
6,212,721	B1 *	4/2001	Borodulin et al.	7/156

D473,437	S *	4/2003	Klein et al.	D8/34
D557,089	S *	12/2007	Menard	D8/34
D570,247	S *	6/2008	Hajianpour	D11/201
7,568,250	B2 *	8/2009	Menard-Flanagan	7/151
D637,473	S *	5/2011	Mitchell	D8/336
D642,895	S *	8/2011	Kelleghan	D8/356
D670,154	S *	11/2012	Kelleghan	D8/356
D686,058	S *	7/2013	Paik et al.	D8/356
D698,626	S *	2/2014	Ormsbee et al.	D8/356
D717,197	S *	11/2014	Kinsky	D11/78.1
2008/0201862	A1 *	8/2008	Menard-Flanagan	7/151
2013/0327183	A1 *	12/2013	Tai-Kao	81/3.09

* cited by examiner

Primary Examiner — Elizabeth Albert

(57) **CLAIM**

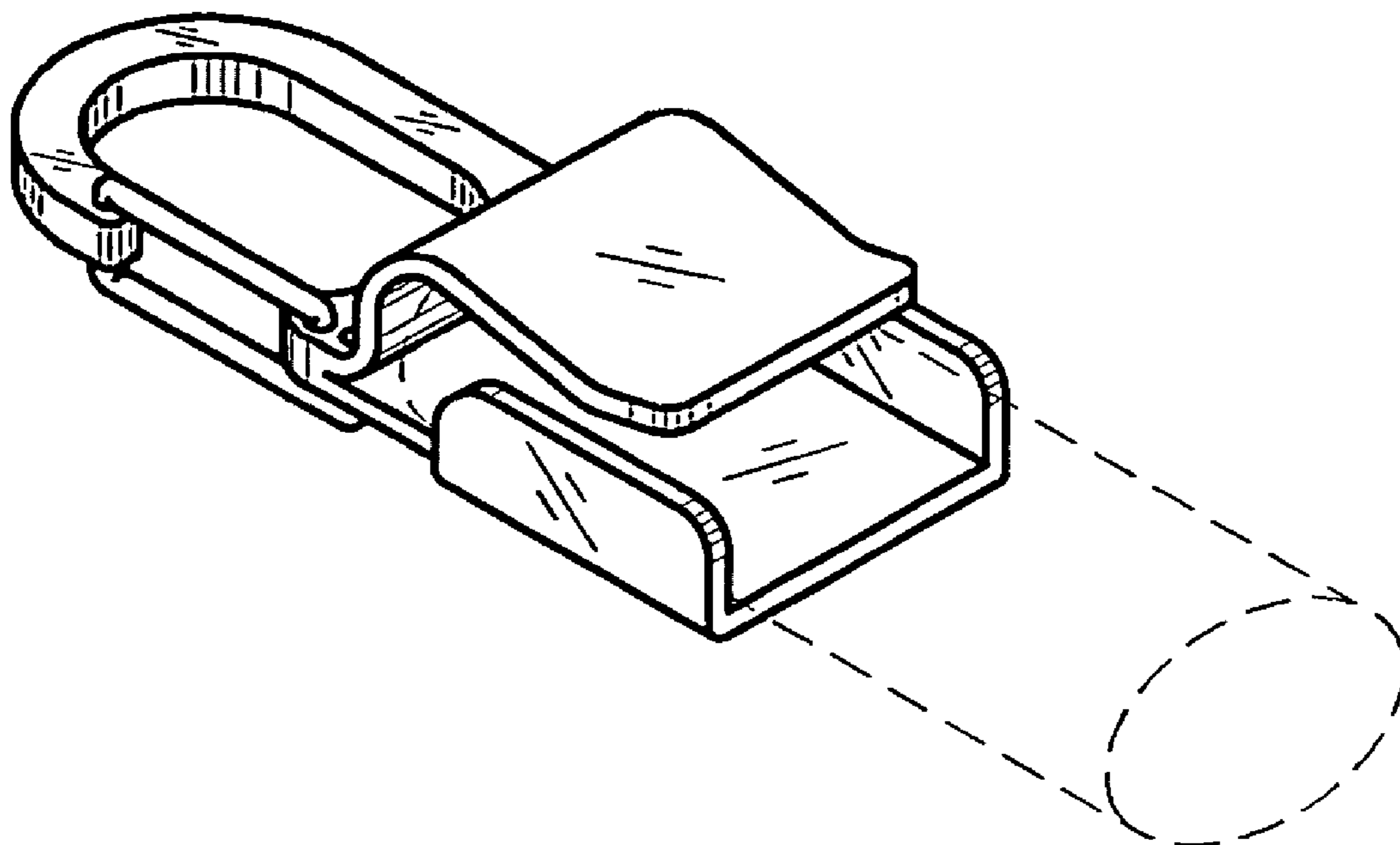
The ornamental design for a bottle opener and lighter holder, as shown and described.

DESCRIPTION

FIG. 1 is a top perspective view of a bottle opener and lighter holder;
FIG. 2 is a front elevation view thereof;
FIG. 3 is a back elevation view thereof;
FIG. 4 is a top plan view thereof;
FIG. 5 is a bottom plan view thereof;
FIG. 6 is a left elevation view thereof;
FIG. 7 is a right elevation view thereof; and,
FIG. 8 is an environmental drawing showing the bottle opener and lighter holder.

The broken lines showing a lighter, bottle and bottle cap depict environmental subject matter only and form no part of the claimed design.

1 Claim, 3 Drawing Sheets



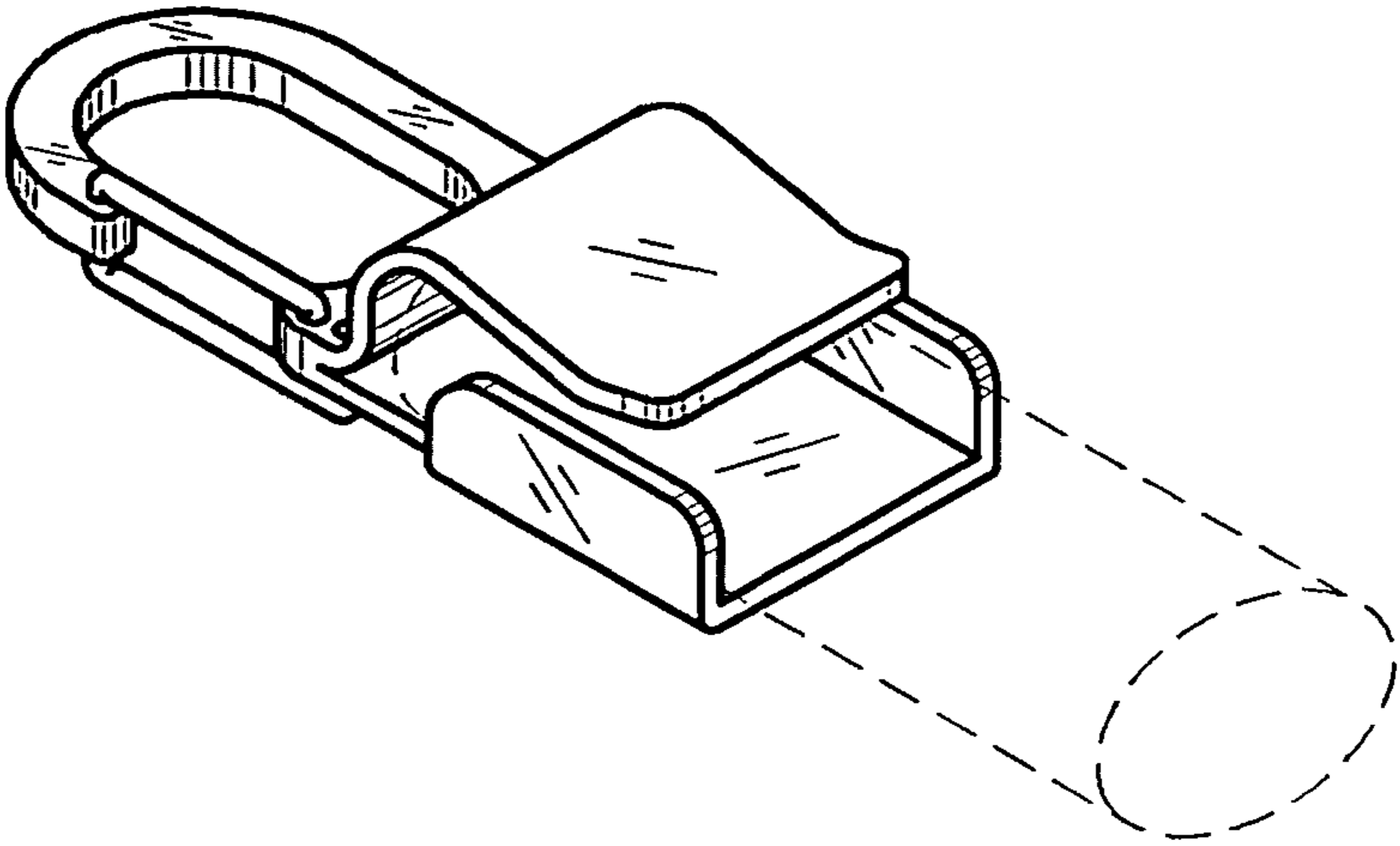


Fig. 1

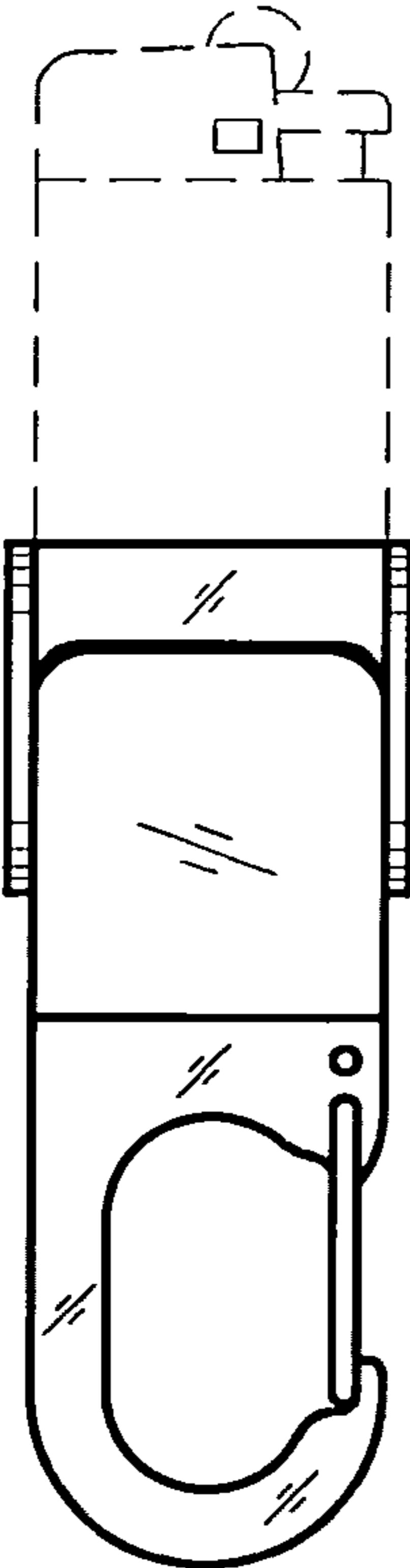


Fig. 2

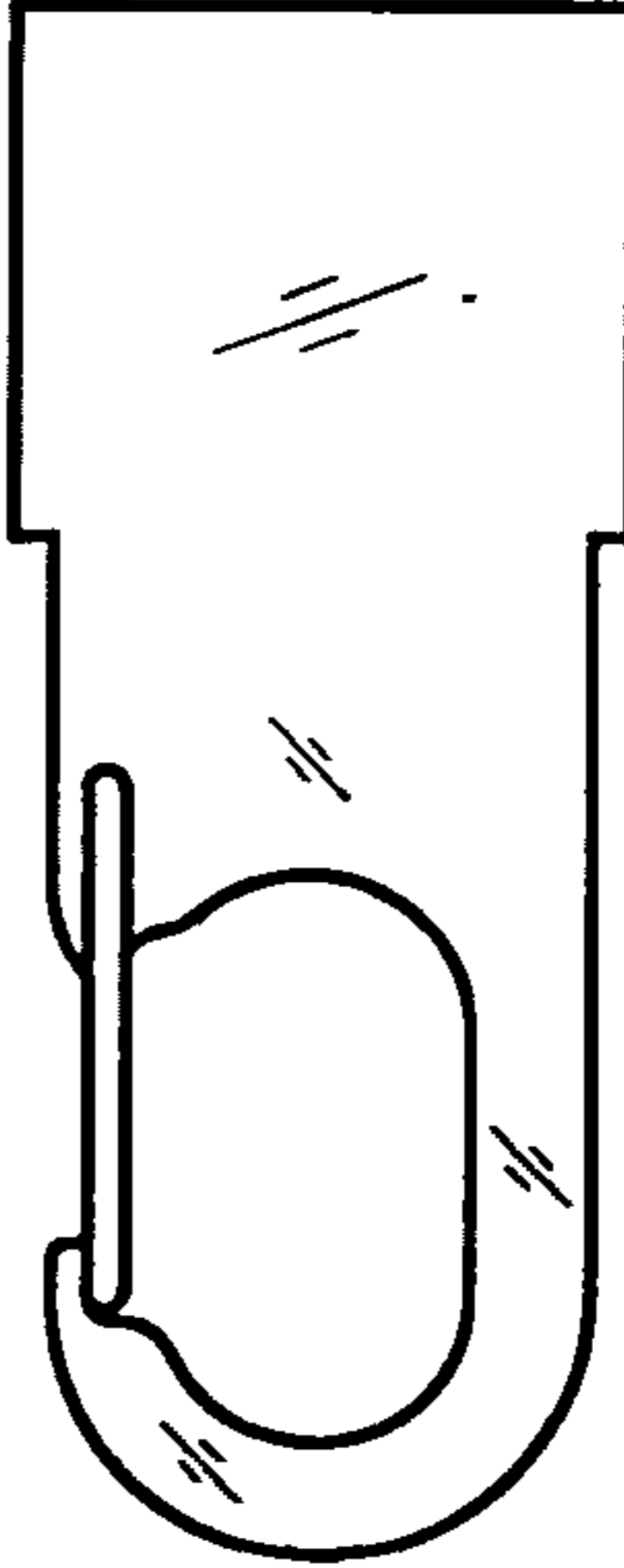


Fig. 3

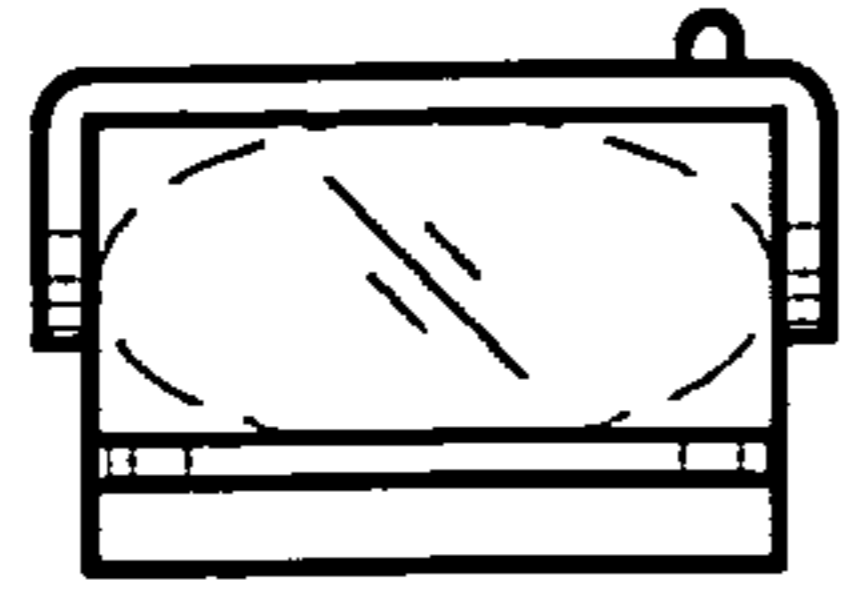


Fig. 4

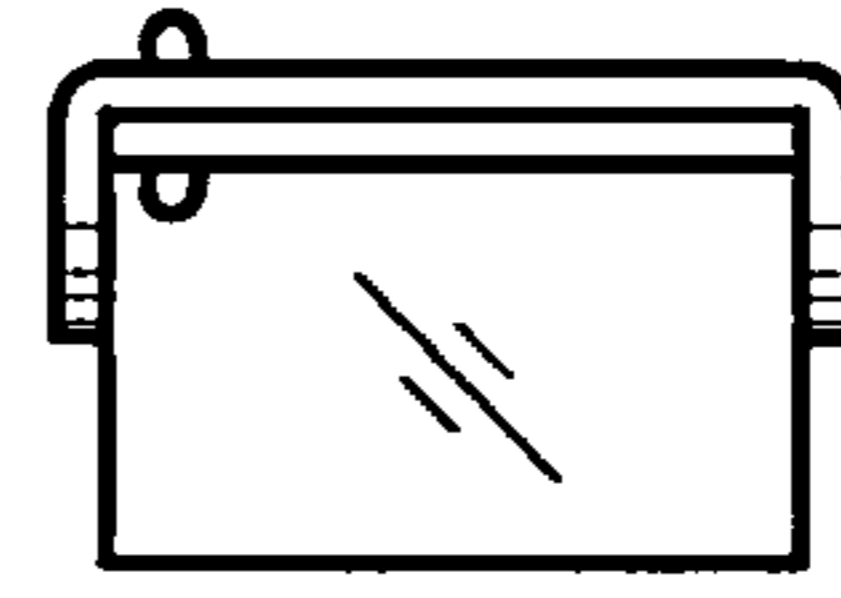


Fig. 5

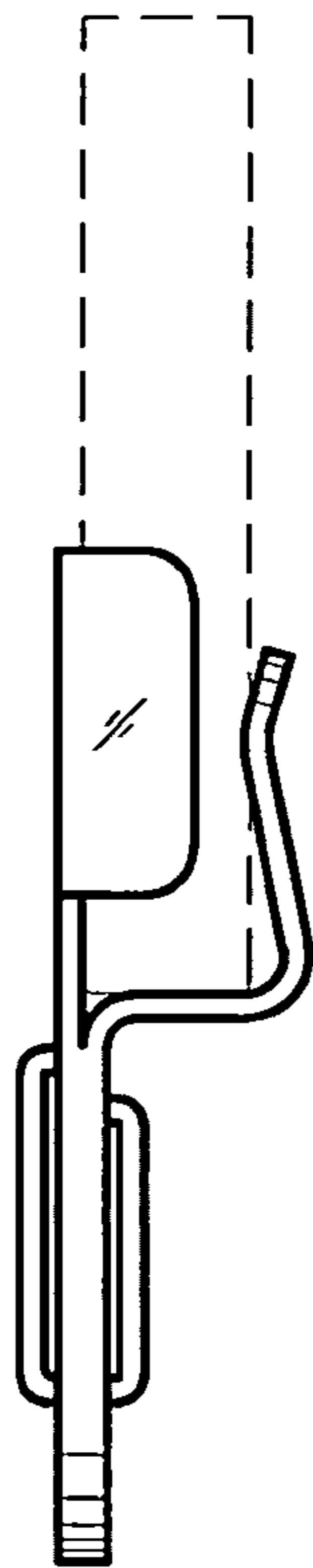


Fig. 6

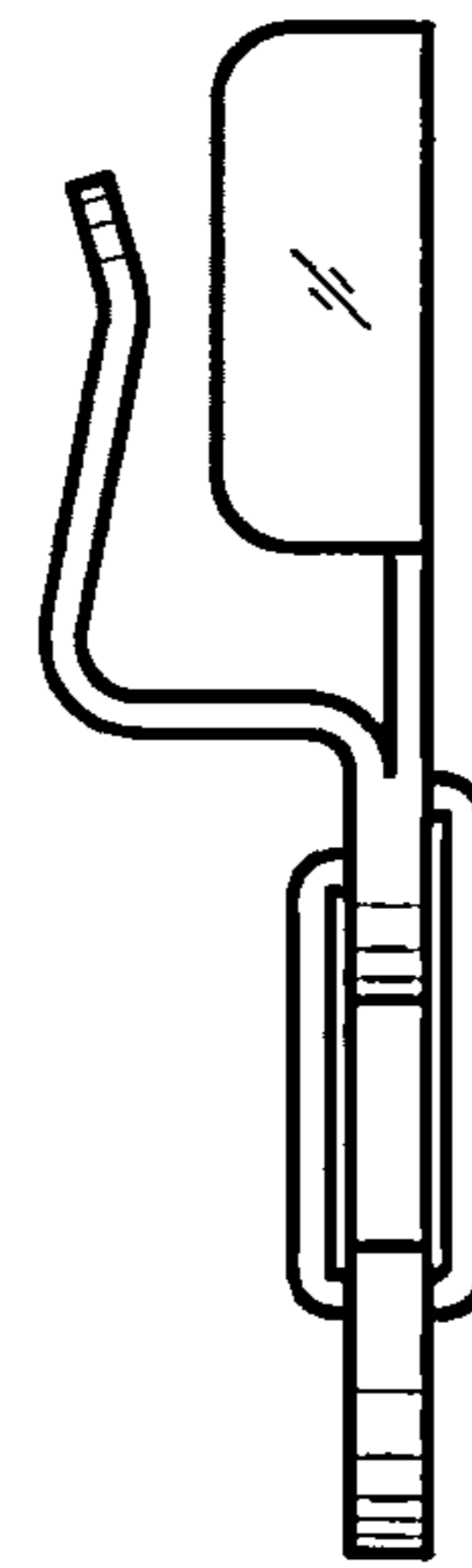


Fig. 7

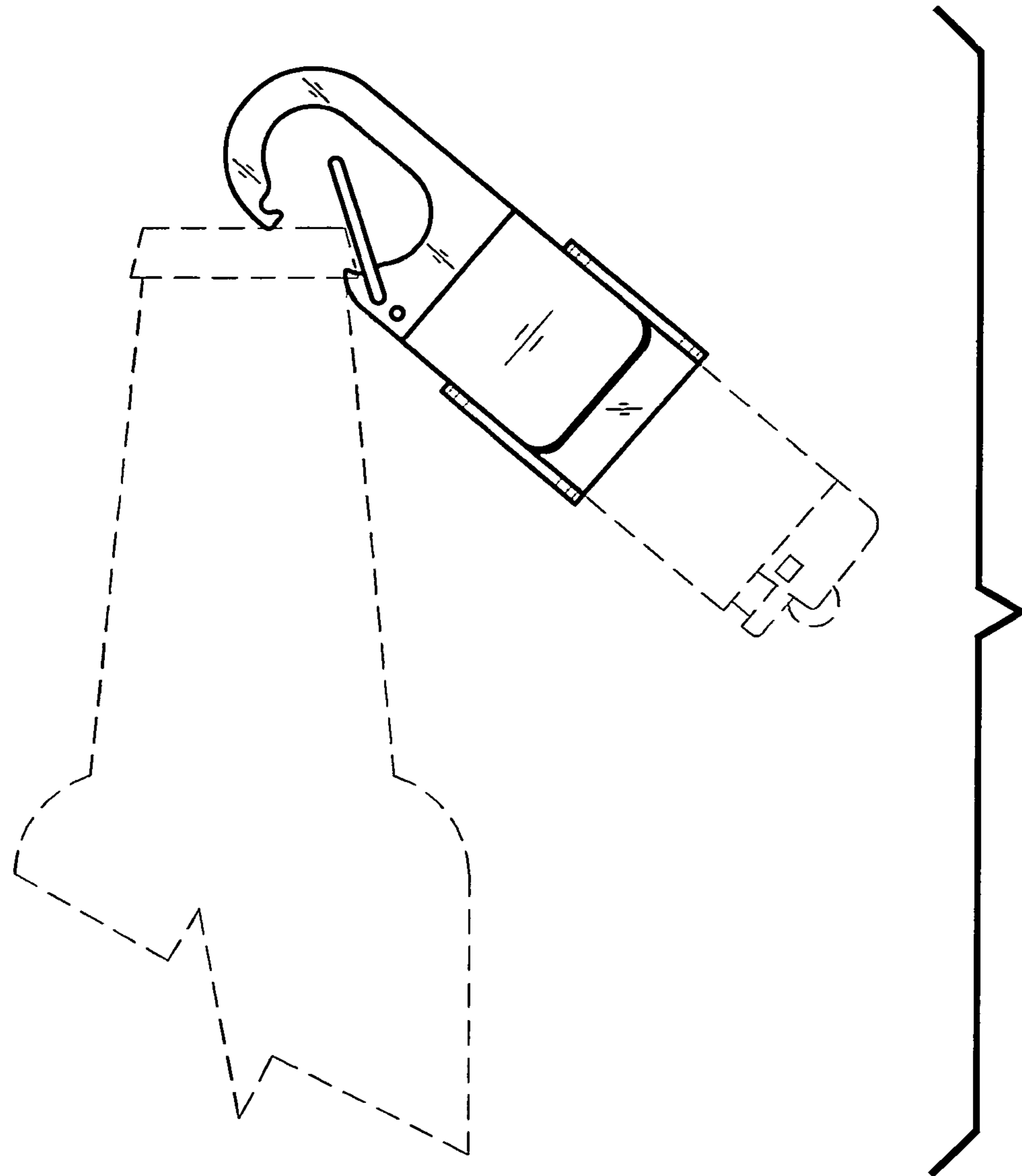


Fig. 8