

US00D737640S

(12) **United States Design Patent**
Manwaring

(10) **Patent No.:** **US D737,640 S**

(45) **Date of Patent:** **** Sep. 1, 2015**

(54) **WRENCH**

(71) Applicant: **Magna-Sonic Stress Testers, Inc.**,
Vernal, UT (US)

(72) Inventor: **Kevin Manwaring**, Vernal, UT (US)

(73) Assignee: **MAGNA-SONIC STRESS TESTERS, INC.**, Vernal, UT (US)

(**) Term: **14 Years**

(21) Appl. No.: **29/464,454**

(22) Filed: **Aug. 16, 2013**

(51) **LOC (10) Cl.** **08-05**

(52) **U.S. Cl.**
USPC **D8/17**

(58) **Field of Classification Search**
USPC D8/17, 18, 19, 21, 28, 105; 81/119,
81/120, 121.1, 124.3, 124.4, 125.1, 176.1,
81/176.2, 186
CPC B25B 13/00; B25B 33/00
See application file for complete search history.

(56) **References Cited**

U.S. PATENT DOCUMENTS

2,159,287	A	5/1939	Morgan	
2,211,183	A	8/1940	Tytus	
2,605,665	A *	8/1952	Grenat	81/124.4
3,608,406	A	9/1971	Paysinger	
3,691,882	A	9/1972	Massey	
3,717,055	A	2/1973	Pendleton	
D263,674	S *	4/1982	Ebert	D8/27
4,665,780	A	5/1987	Plaquin	
4,761,104	A	8/1988	Hillestad	
4,854,200	A	8/1989	Mynhier	
4,954,023	A	9/1990	Bromley	

D321,461	S *	11/1991	Hamilton	D8/27
5,062,187	A	11/1991	Bromley	
5,433,130	A	7/1995	Smith	
6,745,649	B1 *	6/2004	Liao	81/121.1
7,516,943	B1 *	4/2009	Haut	254/17
D596,011	S *	7/2009	Almayda	D8/105
D598,723	S *	8/2009	Cheng	D8/17
7,784,551	B2	8/2010	Angman	
8,784,161	B1	7/2014	Burleson	

* cited by examiner

Primary Examiner — Randall Gholson

(74) *Attorney, Agent, or Firm* — Maschoff Brennan

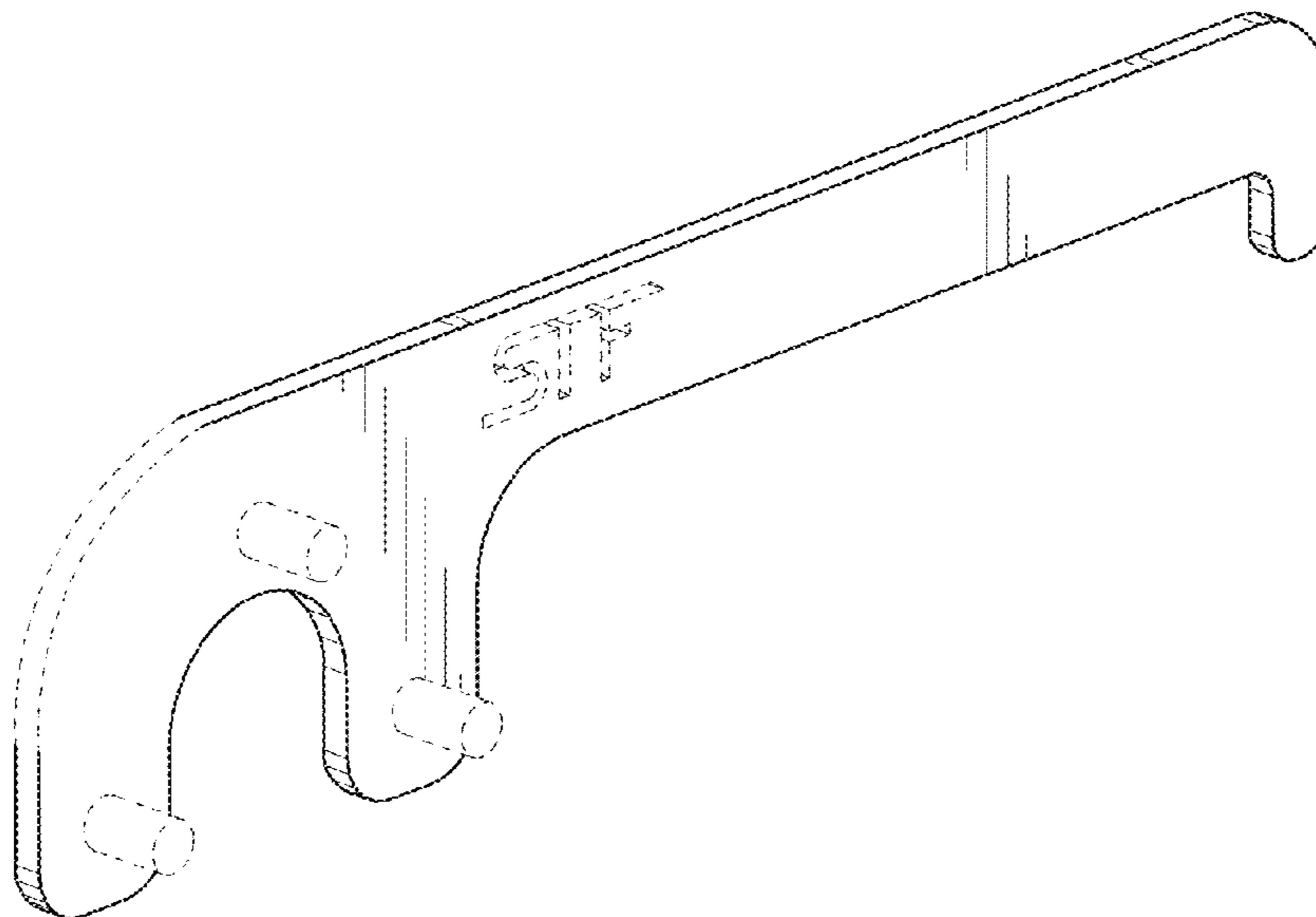
(57) **CLAIM**

The ornamental design for a wrench, as shown and described.

DESCRIPTION

FIG. 1 is a perspective view of a wrench according to the present invention;
 FIG. 2 is a front elevational view thereof;
 FIG. 3 is a back elevational view thereof;
 FIG. 4 is a top plan view thereof;
 FIG. 5 is a bottom plan view thereof;
 FIG. 6 is a left elevational view thereof;
 FIG. 7 is a right elevational view thereof;
 FIG. 8 is a perspective view of a wrench according to the present invention
 FIG. 9 is a front elevational view thereof;
 FIG. 10 is a back elevational view thereof;
 FIG. 11 is a top plan view thereof;
 FIG. 12 is a bottom plan view thereof;
 FIG. 13 is a left elevational view thereof; and,
 FIG. 14 is a right elevational view thereof.
 The broken lines depict portions of the wrench that form no part of the claimed design.

1 Claim, 6 Drawing Sheets



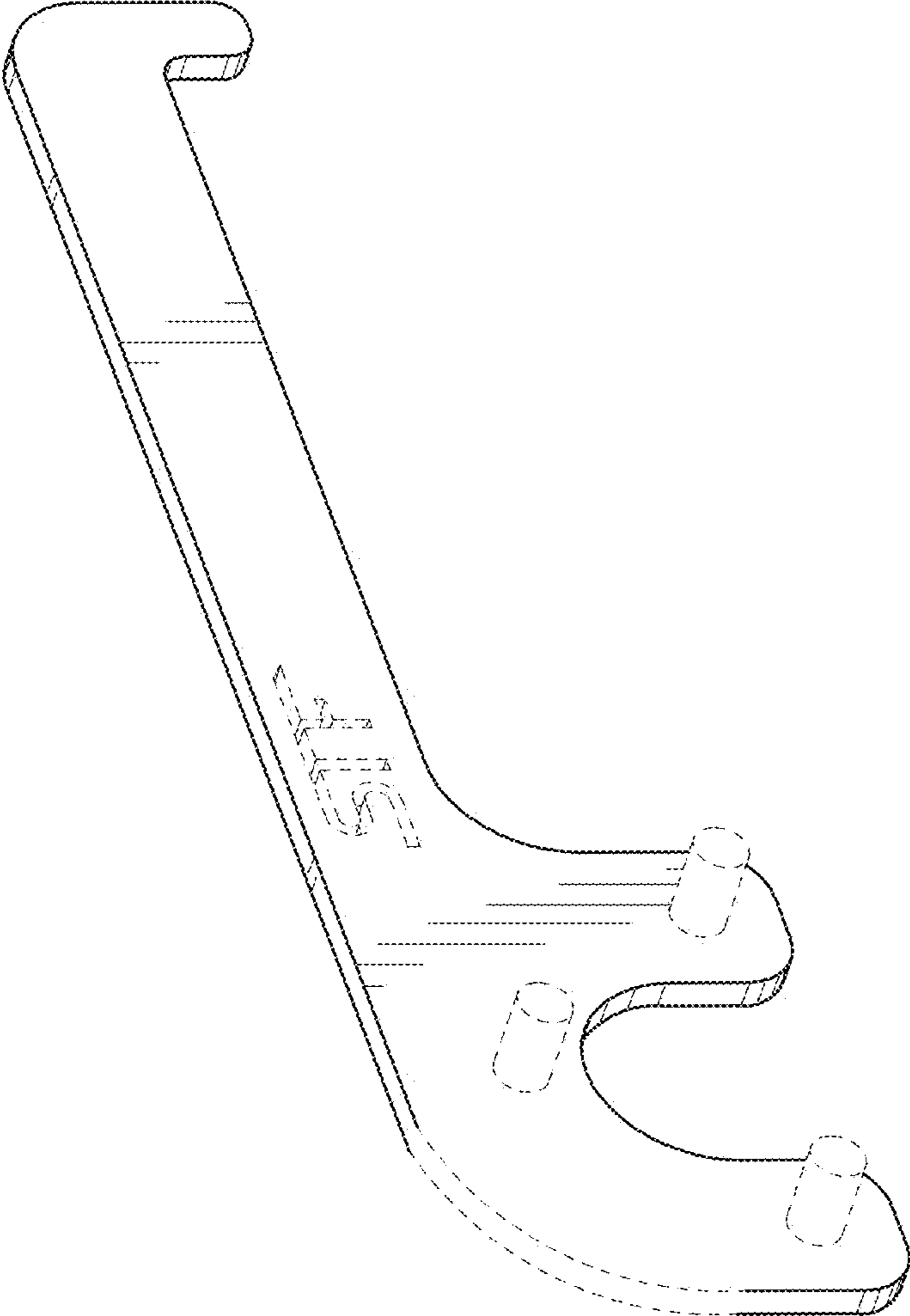


FIG. 1

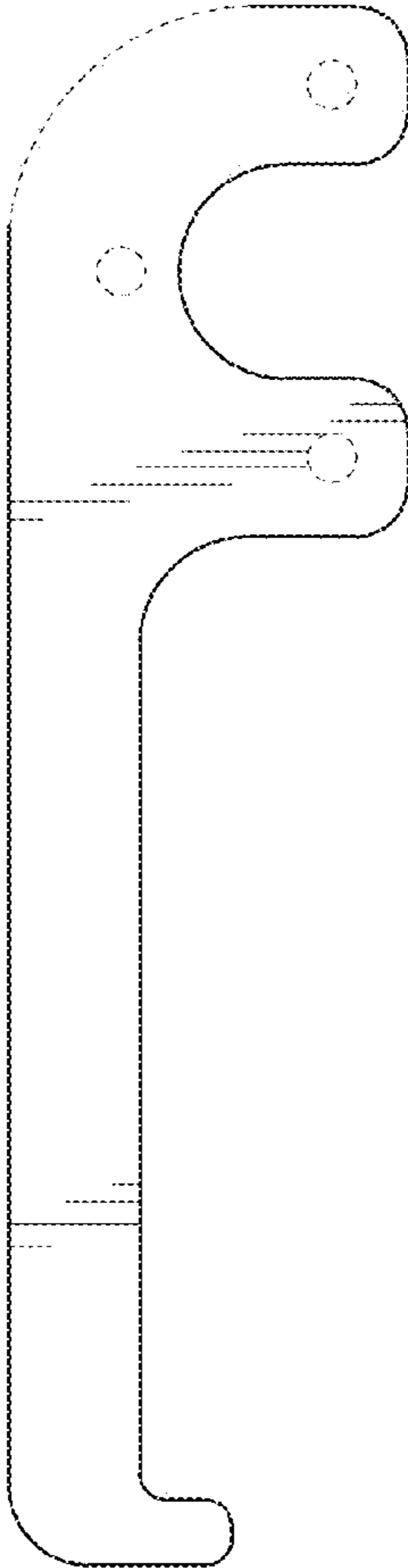


FIG. 2

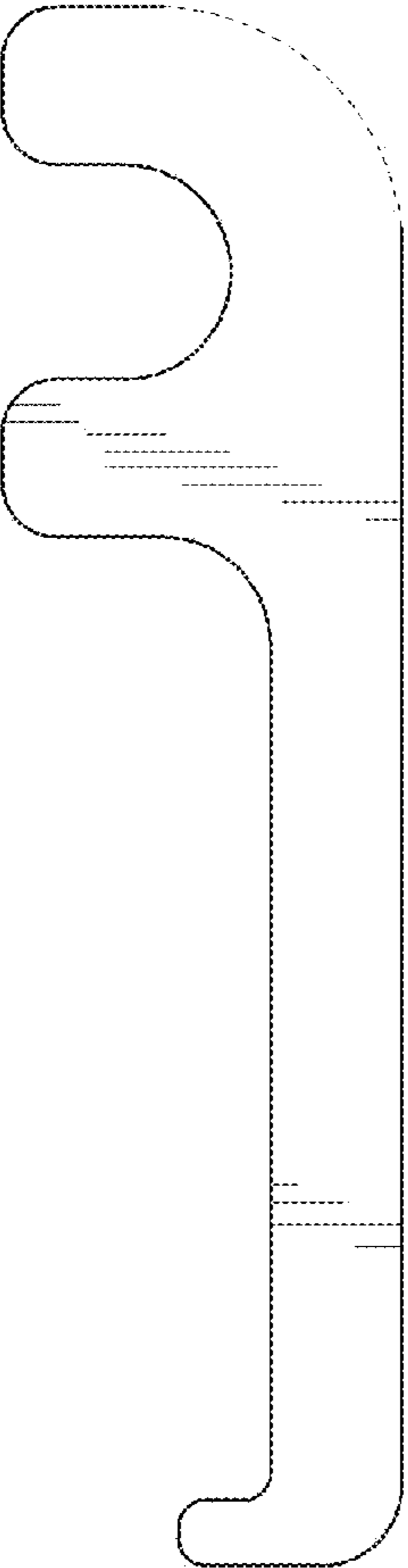


FIG. 3



FIG. 4



FIG. 5

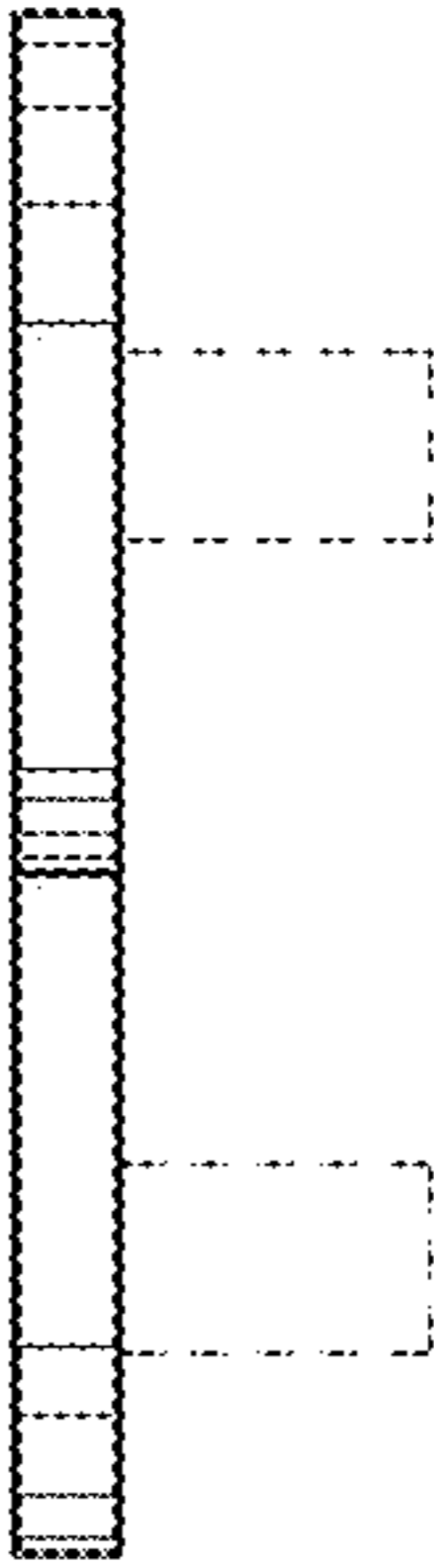


FIG. 6

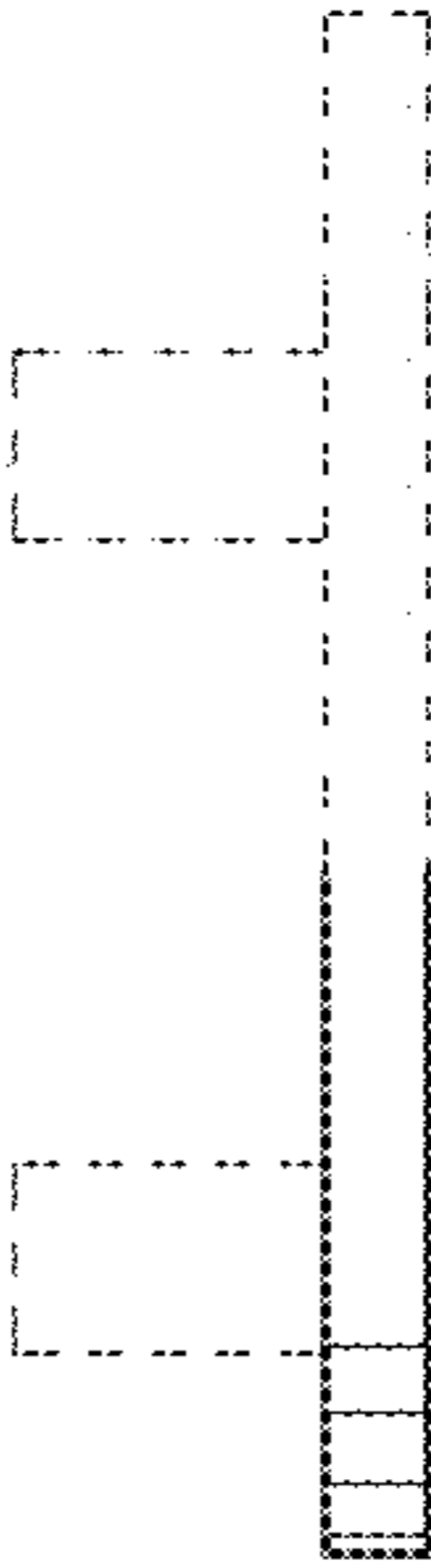


FIG. 7

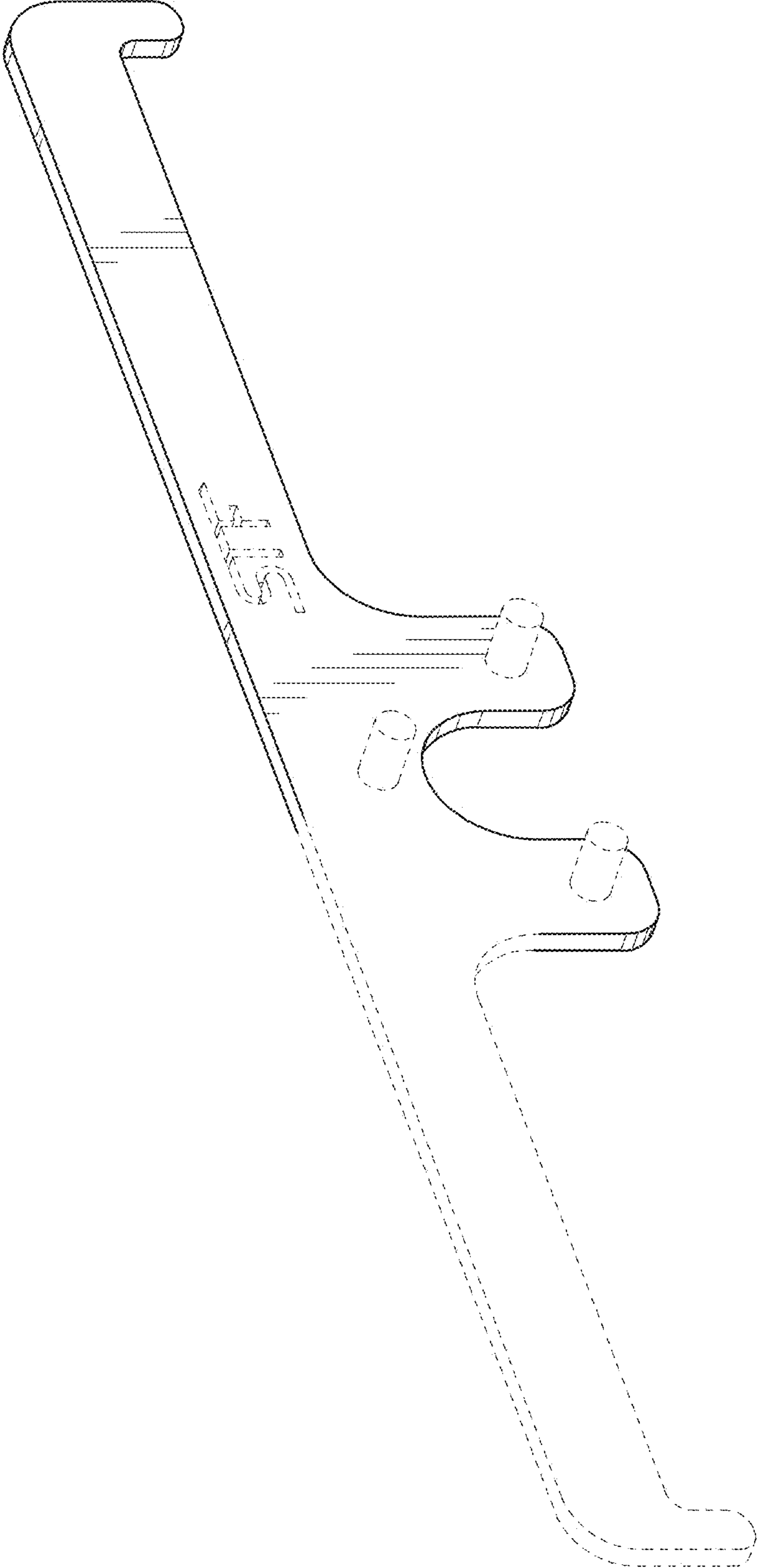


FIG. 8

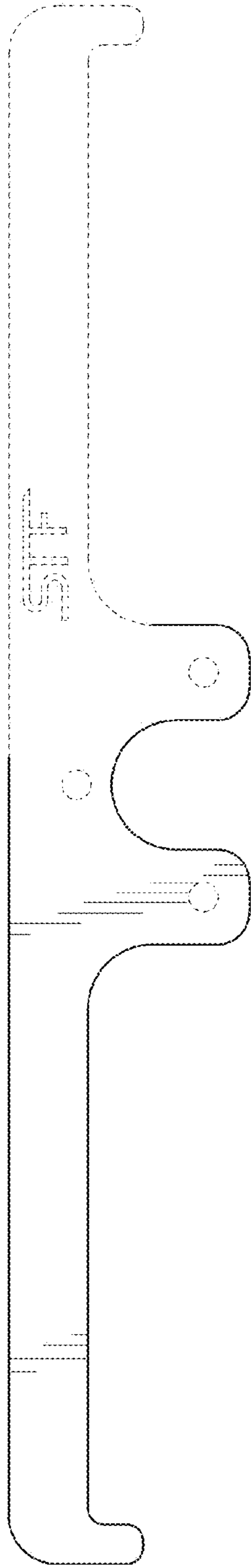


FIG. 9

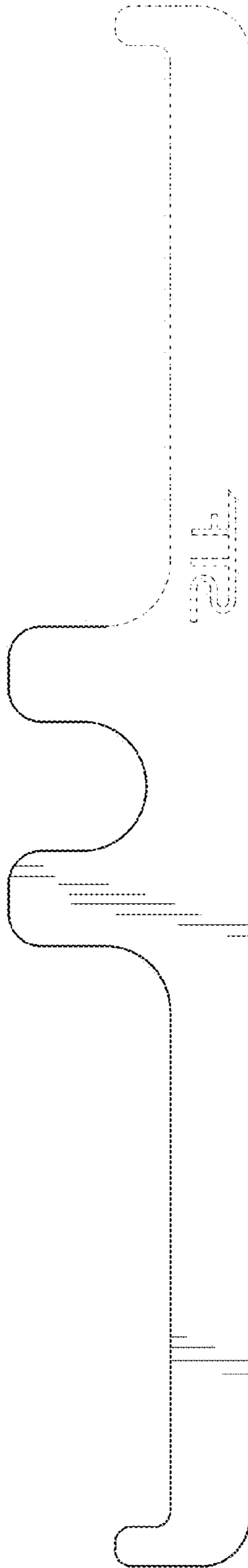


FIG. 10

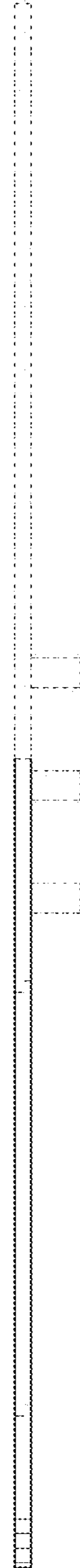


FIG. 11

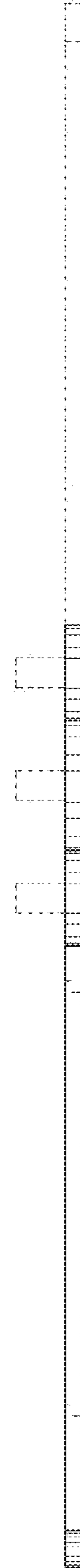


FIG. 12

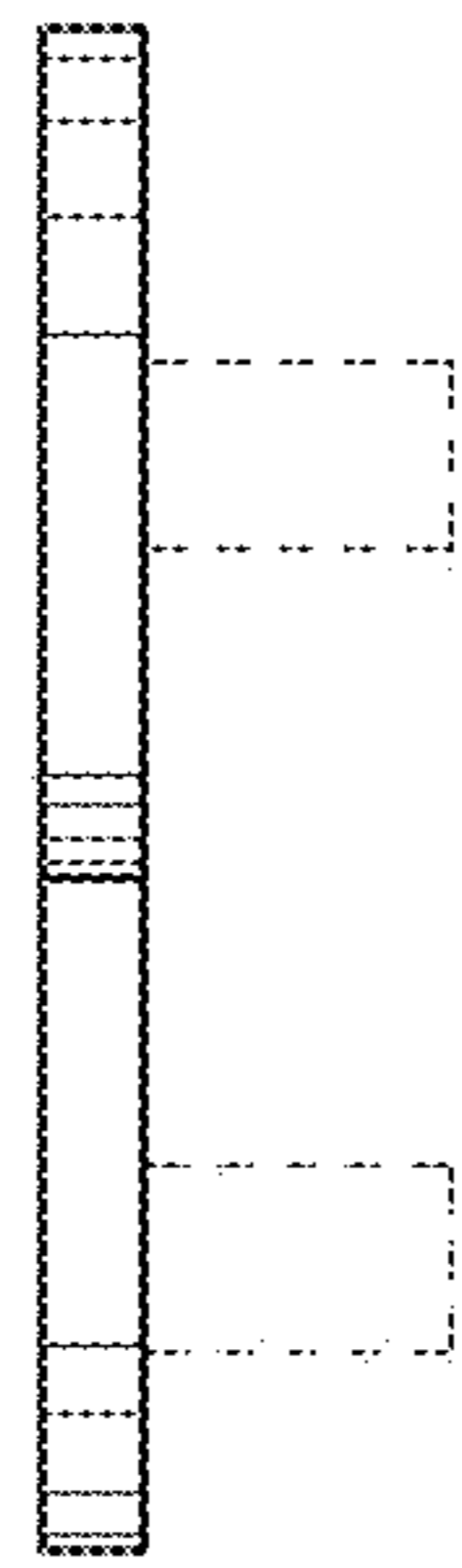


FIG. 13

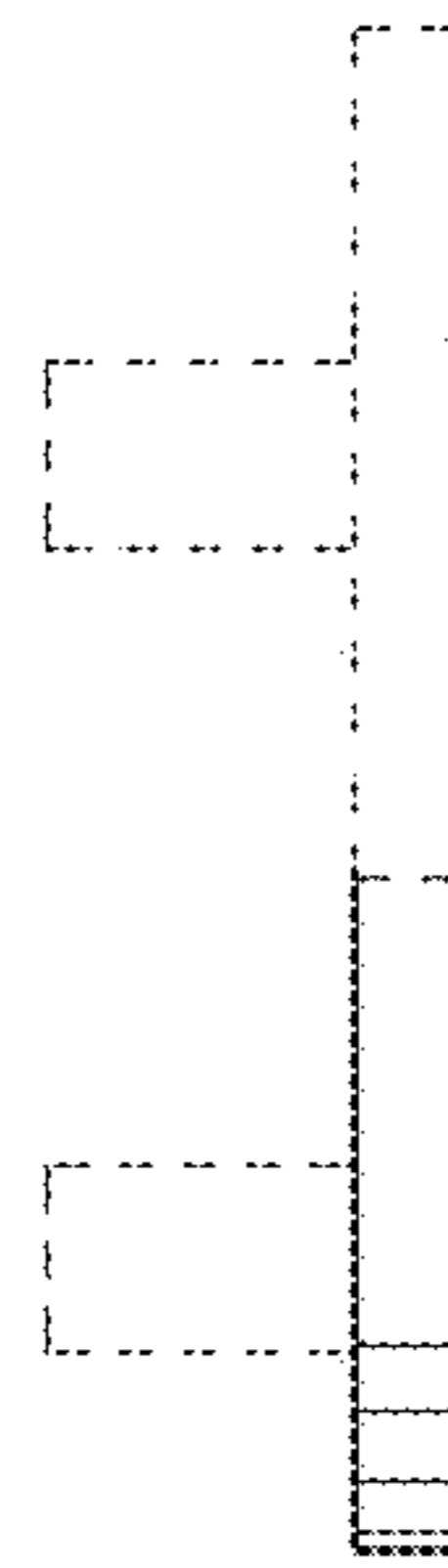


FIG. 14