



US00D737638S

(12) **United States Design Patent**  
**Roberts et al.**

(10) **Patent No.:** **US D737,638 S**  
(45) **Date of Patent:** **\*\* Sep. 1, 2015**

(54) **PIZZA CUTTER**

(71) Applicant: **Fiskars Brands, Inc.**, Madison, WI (US)

(72) Inventors: **Colin Roberts**, Stevens Point, WI (US);  
**Stephen P. Dechant**, Lodi, WI (US)

(73) Assignee: **Fiskars Brands, Inc.**, Madison, WI (US)

(\*\*) Term: **14 Years**

(21) Appl. No.: **29/486,708**

(22) Filed: **Apr. 1, 2014**

(51) **LOC (10) CI.** ..... **07-06**

(52) **U.S. Cl.**  
USPC ..... **D7/694; D7/395**

(58) **Field of Classification Search**  
USPC ..... D7/368, 669, 680–696, 393, 395;  
30/142, 124, 307, 347, 353, 357, 286,  
30/319, 365; D8/51  
CPC ... A47G 21/045; B26B 25/005; B26D 7/2621  
See application file for complete search history.

(56) **References Cited**

**U.S. PATENT DOCUMENTS**

D461,380 S *	8/2002	Law	.....	D7/694
D509,710 S *	9/2005	Lee	.....	D7/694
7,188,424 B2 *	3/2007	Webster et al.	.....	30/365
D638,259 S *	5/2011	Henry	.....	D7/395

\* cited by examiner

*Primary Examiner* — Terry Wallace

(74) *Attorney, Agent, or Firm* — Foley & Lardner LLP

(57) **CLAIM**

We claim the ornamental design for a pizza cutter, as shown and described.

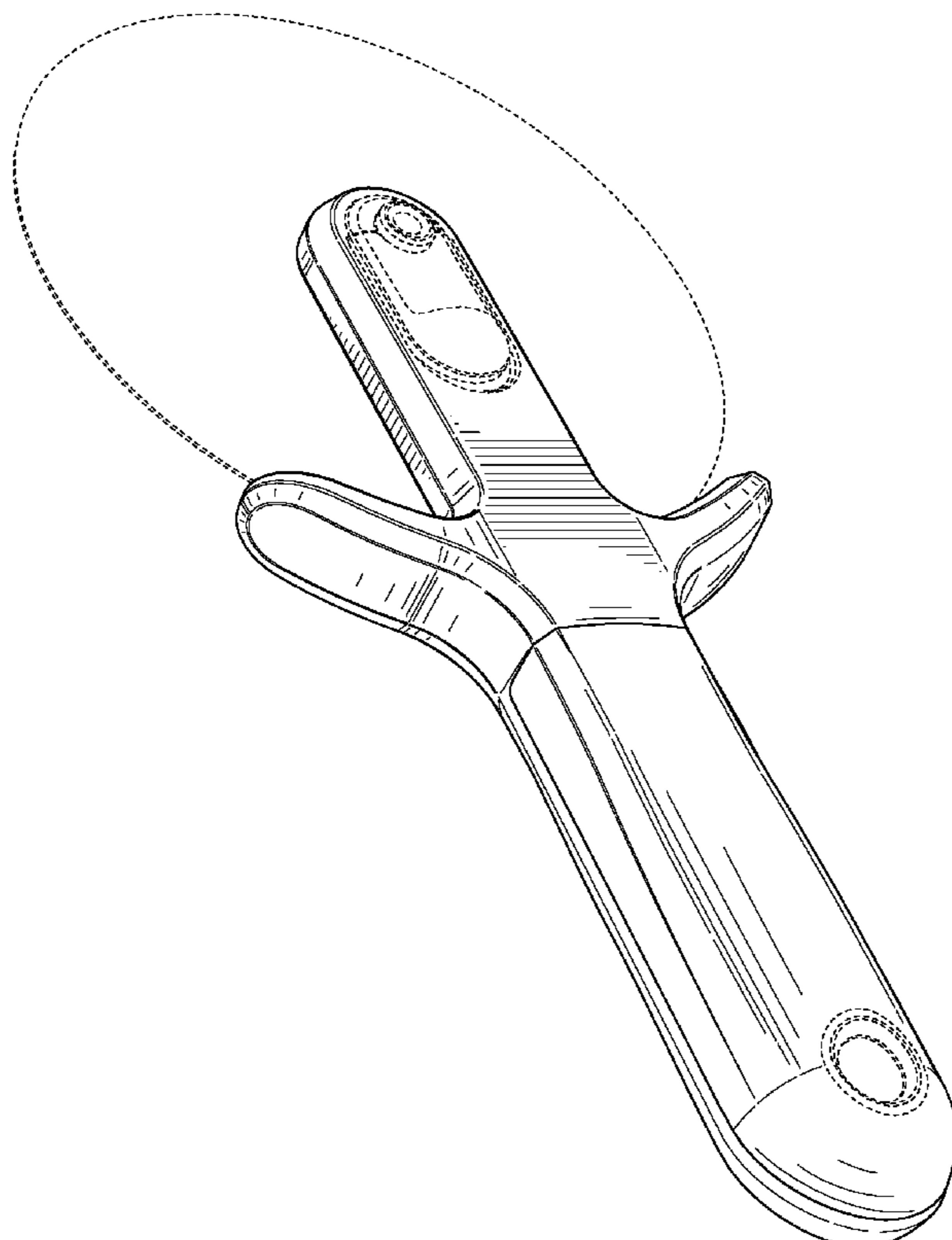
**DESCRIPTION**

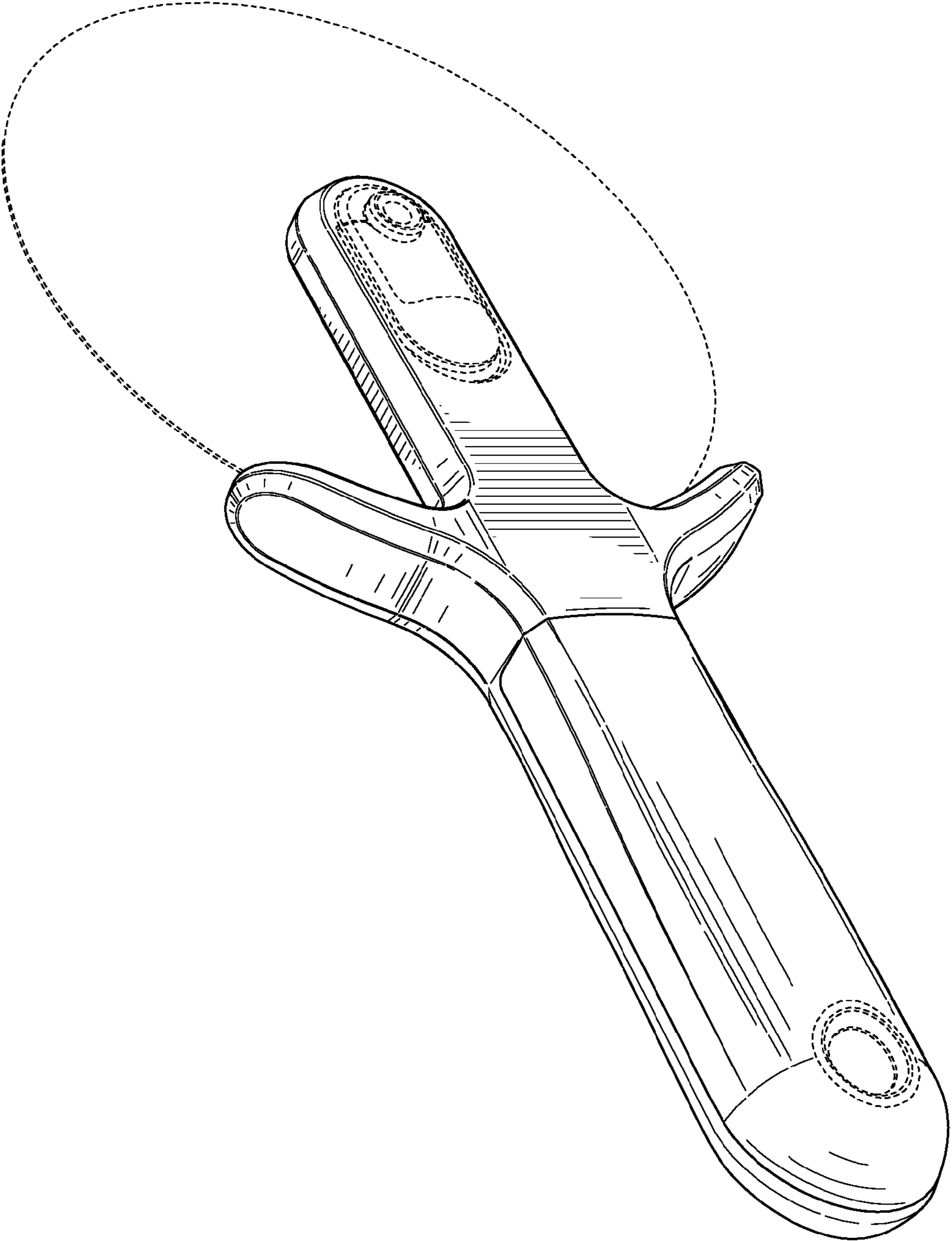
FIG. 1 is an isometric view of a pizza cutter;  
FIG. 2 is a left side elevational view thereof;  
FIG. 3 is a right side elevational view thereof;  
FIG. 4 is a bottom plan view thereof;  
FIG. 5 is a top plan view thereof;  
FIG. 6 is a front elevational view thereof; and,  
FIG. 7 is a rear elevational view thereof.

The ornamental design which is claimed is shown in solid lines in the drawings. The broken lines in the drawings are for illustrative purposes only and show unclaimed portions of the claimed design.

While the accompanying drawings illustrate various exemplary embodiments, it should be understood that according to other exemplary embodiments that should be considered to be within the possession of the inventors of the present application at the time this application is being filed, it is contemplated that any illustrated solid lines may be converted to broken lines and that any illustrated broken lines may be converted to solid lines so as to claim or disclaim portions, components, or sub-components of the designs shown.

**1 Claim, 6 Drawing Sheets**





**FIG. 1**

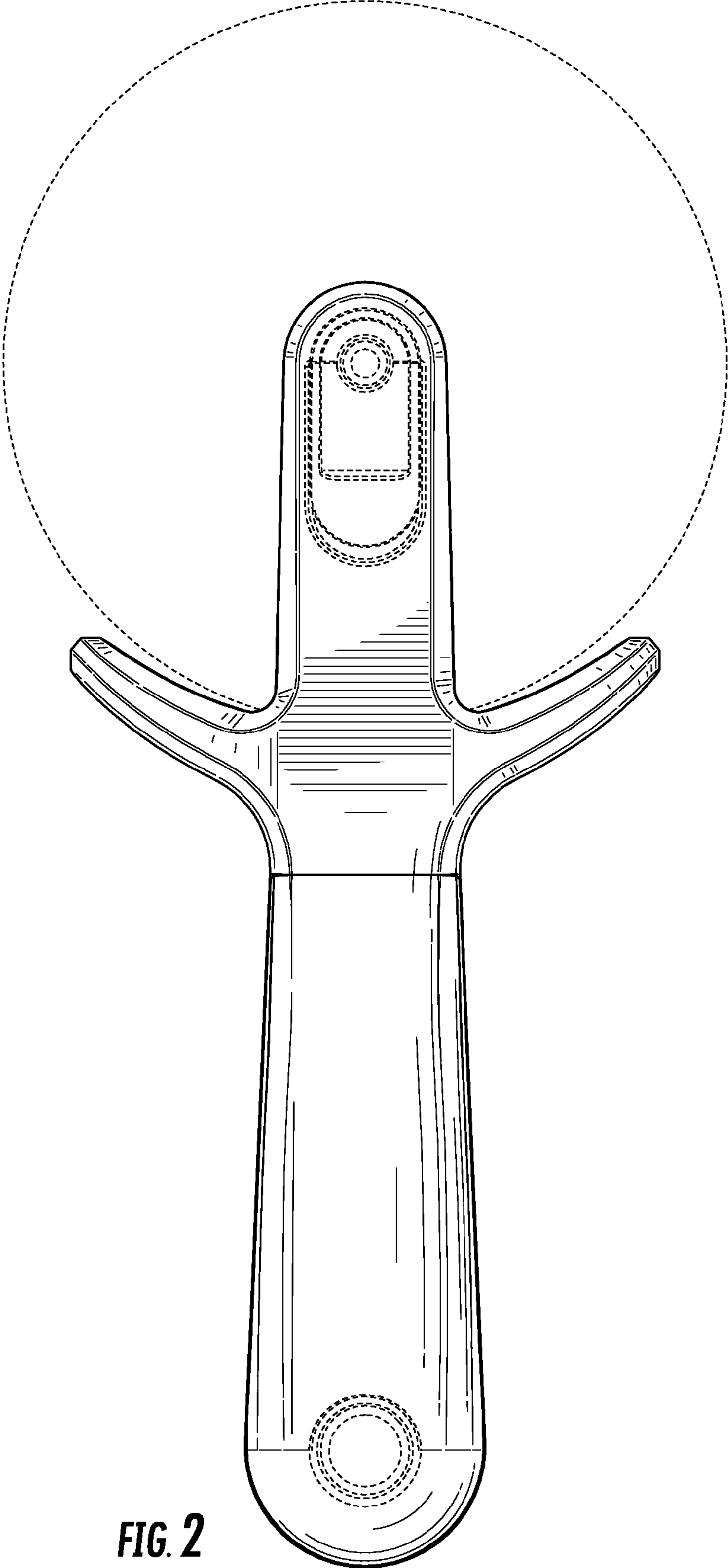
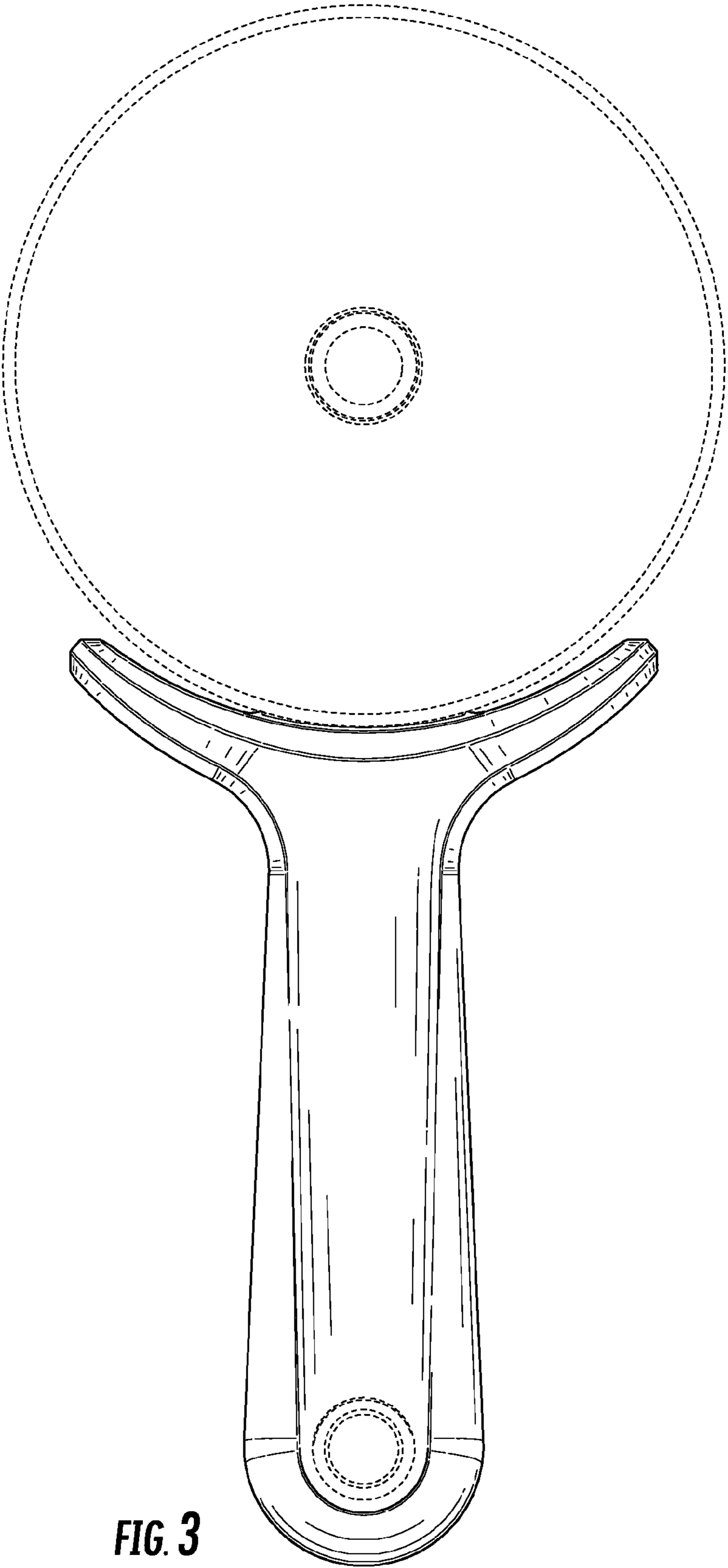
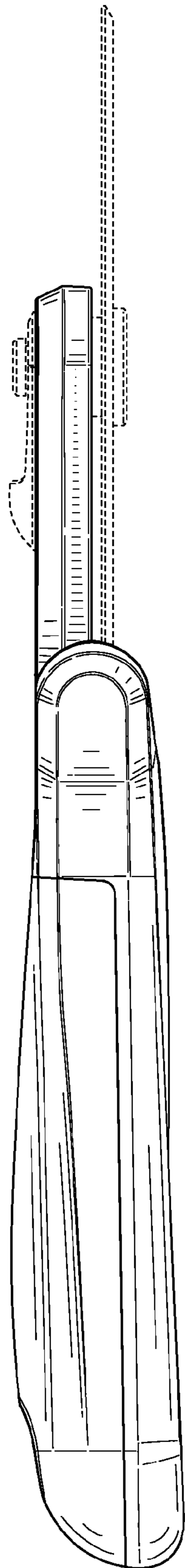


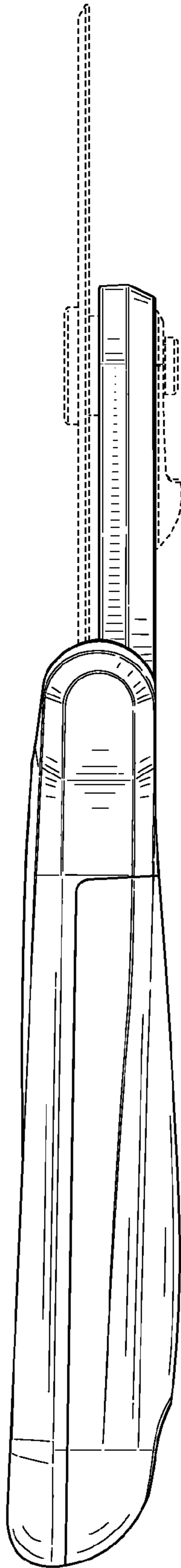
FIG. 2



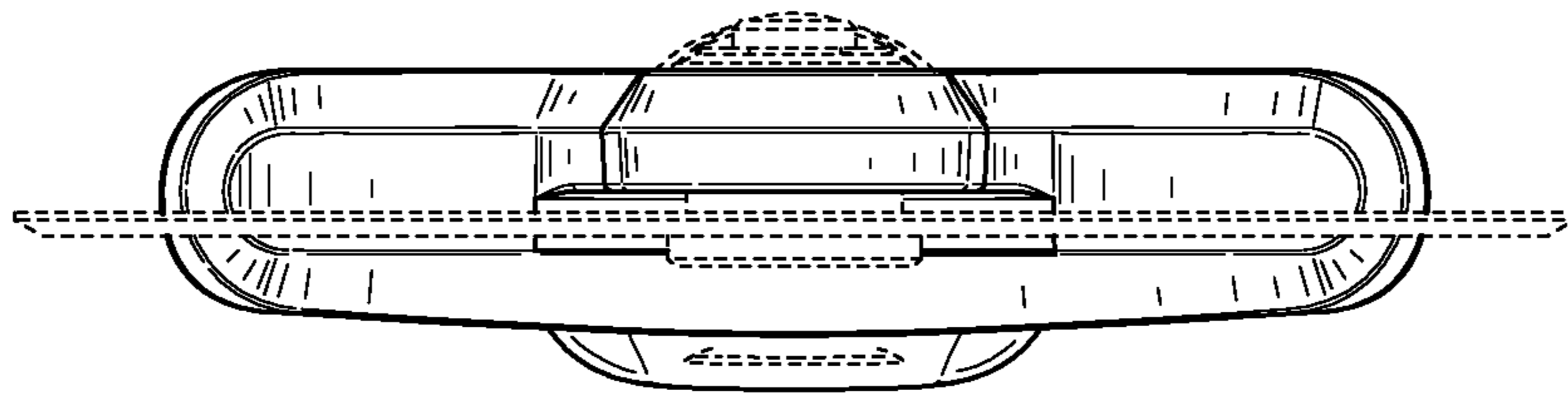
**FIG. 3**



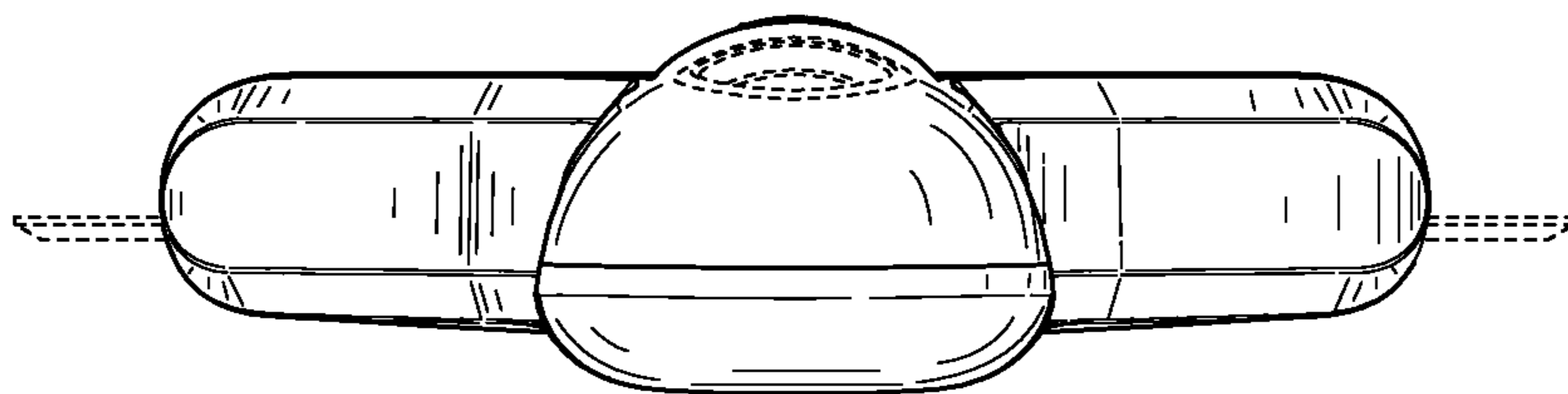
**FIG. 4**



**FIG. 5**



**FIG. 6**



**FIG. 7**