

US00D737636S

(12) **United States Design Patent**
Bronwasser et al.

(10) **Patent No.:** **US D737,636 S**
(45) **Date of Patent:** **** Sep. 1, 2015**

(54) **FOOD CONTAINER**

(71) Applicants: **Robert Bronwasser**, Amsterdam (NL);
Chantal Krul, Leiderdorp (NL)

(72) Inventors: **Robert Bronwasser**, Amsterdam (NL);
Chantal Krul, Leiderdorp (NL)

(73) Assignee: **PACIFIC MARKET**
INTERNATIONAL, LLC, Seattle, WA
(US)

(**) Term: **14 Years**

(21) Appl. No.: **29/472,432**

(22) Filed: **Nov. 12, 2013**

(51) **LOC (10) Cl.** **07-07**

(52) **U.S. Cl.**
USPC **D7/629**

(58) **Field of Classification Search**
USPC D7/601, 602, 629, 630, 538-542,
D7/612-615; D9/415-419, 424-432;
D3/272, 273, 274
CPC B29L 2031/7162; B29L 2031/7166;
B65D 1/22; B65D 1/225; B65D 1/34; B65D
43/162; B65D 81/02; B65D 81/3813; B65D
5/001

See application file for complete search history.

(56) **References Cited**

U.S. PATENT DOCUMENTS

| | | | | | |
|--------------|------|---------|----------------------|-------|---------|
| 4,412,630 | A * | 11/1983 | Daenen | | 220/792 |
| D328,030 | S * | 7/1992 | Dumbrell | | D3/302 |
| D355,814 | S * | 2/1995 | VanValkenburg et al. | | D7/629 |
| D490,278 | S * | 5/2004 | Welsh | | D7/629 |
| 6,793,096 | B1 * | 9/2004 | Seok | | 220/788 |
| D653,915 | S * | 2/2012 | George | | D7/629 |
| D660,094 | S * | 5/2012 | Kyung | | D7/629 |
| D660,095 | S * | 5/2012 | Kyung | | D7/629 |
| D682,046 | S * | 5/2013 | Myoung | | D7/629 |
| 2005/0006390 | A1 * | 1/2005 | Wang | | 220/326 |
| 2005/0035125 | A1 * | 2/2005 | Bae | | 220/326 |

* cited by examiner

Primary Examiner — Terry Wallace

(74) *Attorney, Agent, or Firm* — Davis Wright Tremaine
LLP; George C. Rondeau, Jr.

(57) **CLAIM**

The ornamental design for a food container, as shown and described.

DESCRIPTION

FIG. 1 is a top perspective view of a food container showing our new design.

FIG. 2 is a front view thereof.

FIG. 3 is a left side view thereof.

FIG. 4 is a right side view thereof.

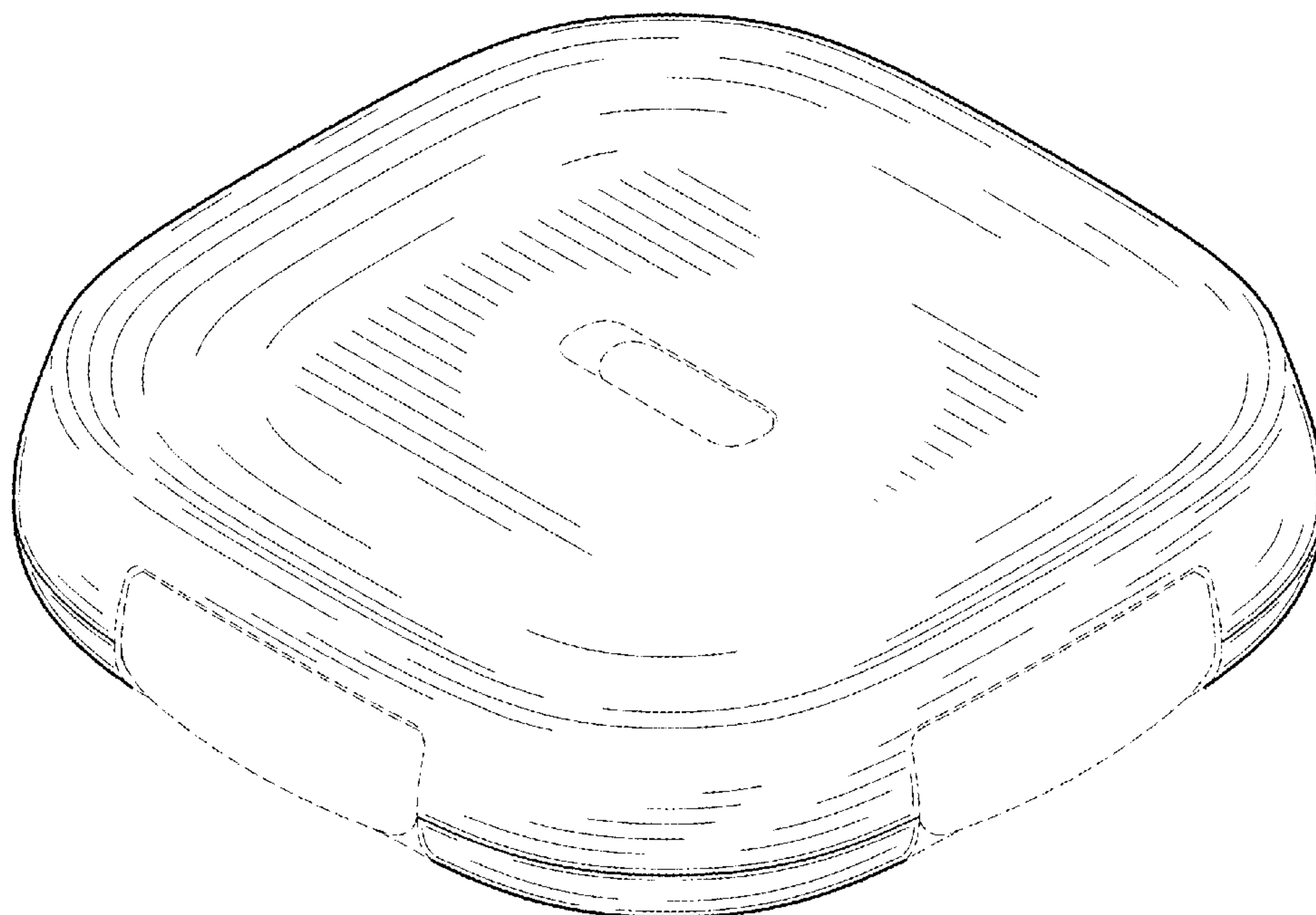
FIG. 5 is a rear view thereof.

FIG. 6 is a top plan view thereof; and,

FIG. 7 is a bottom plan view thereof.

The broken lines are for illustrative purposes only and form no part of the claimed design.

1 Claim, 5 Drawing Sheets



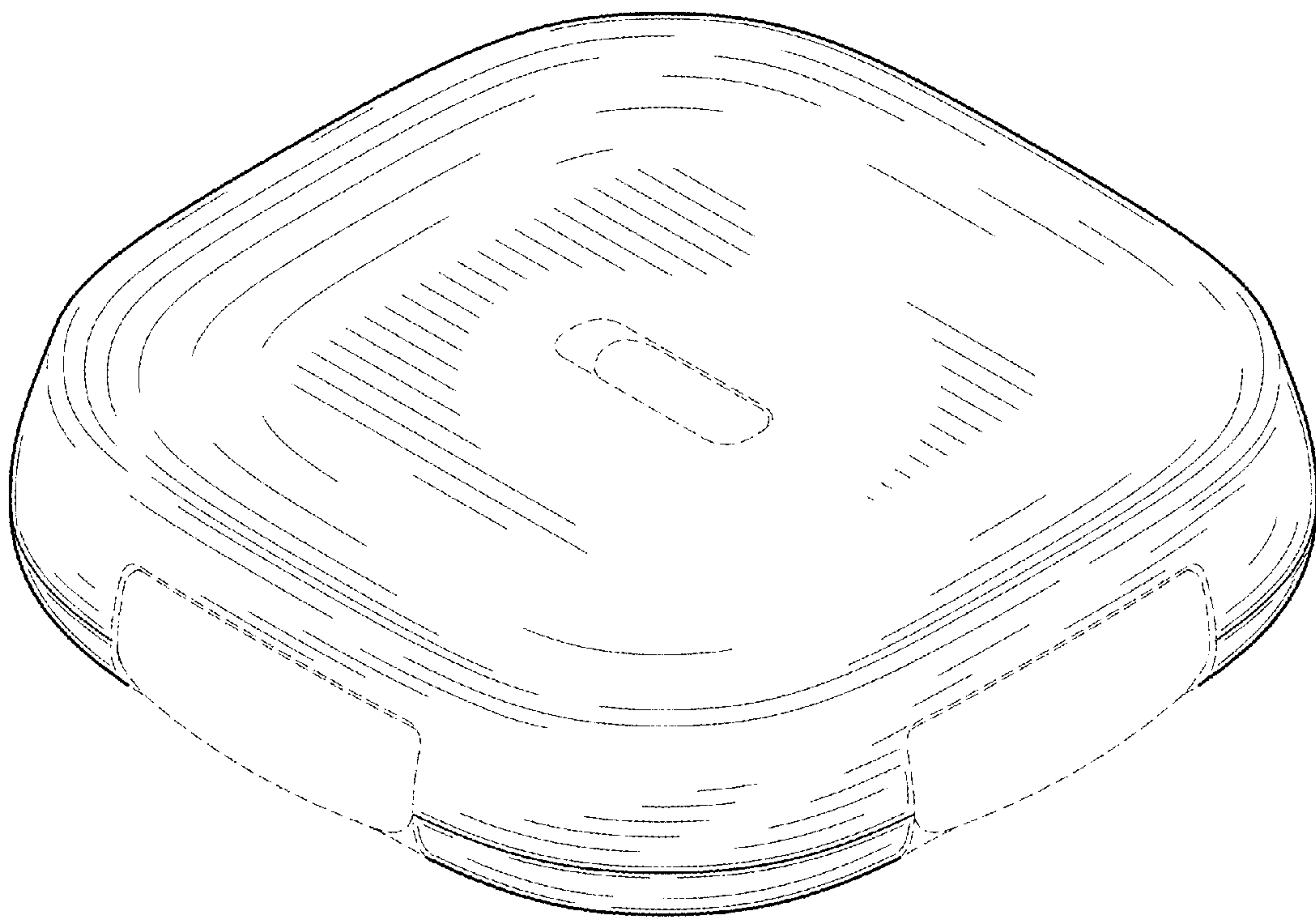


FIG.1

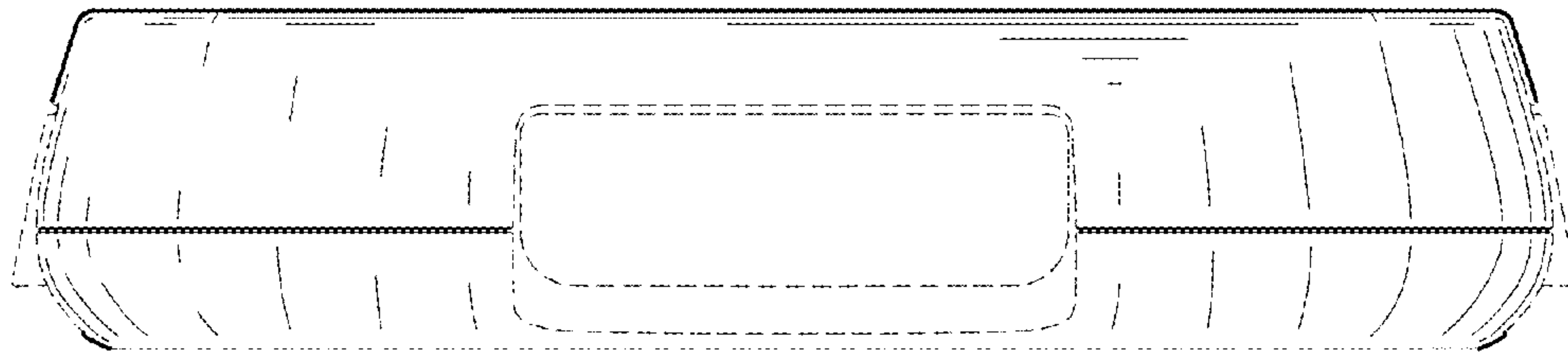


FIG. 2

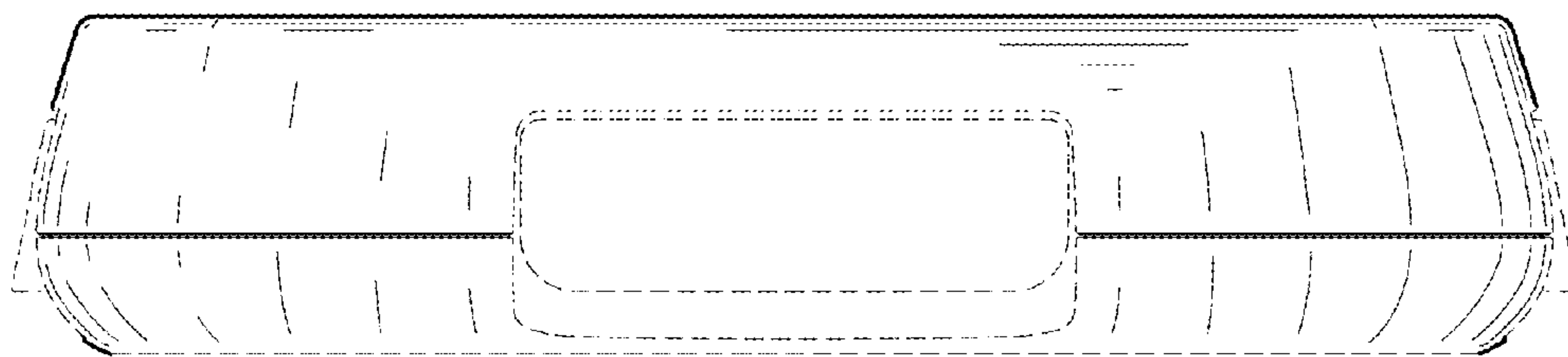


FIG. 3

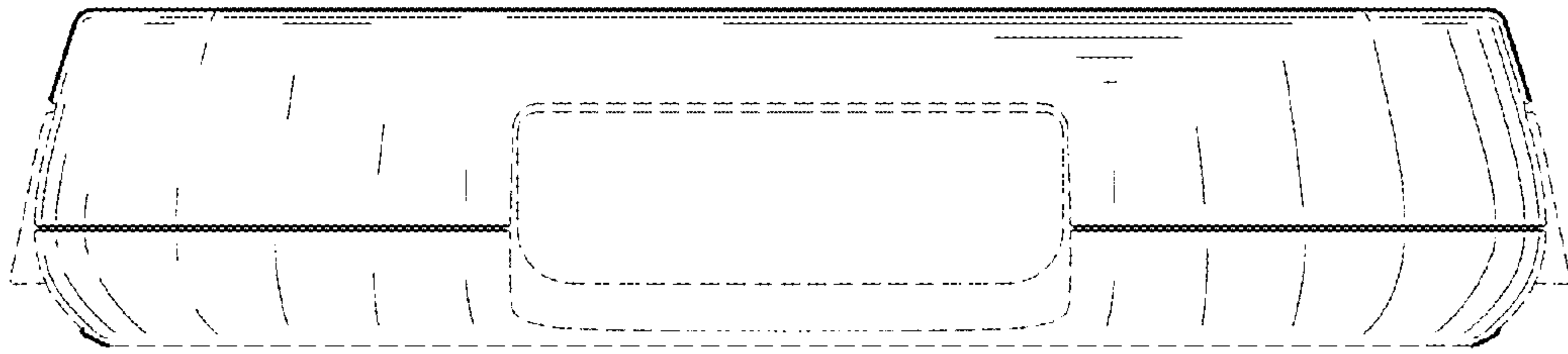


FIG. 4

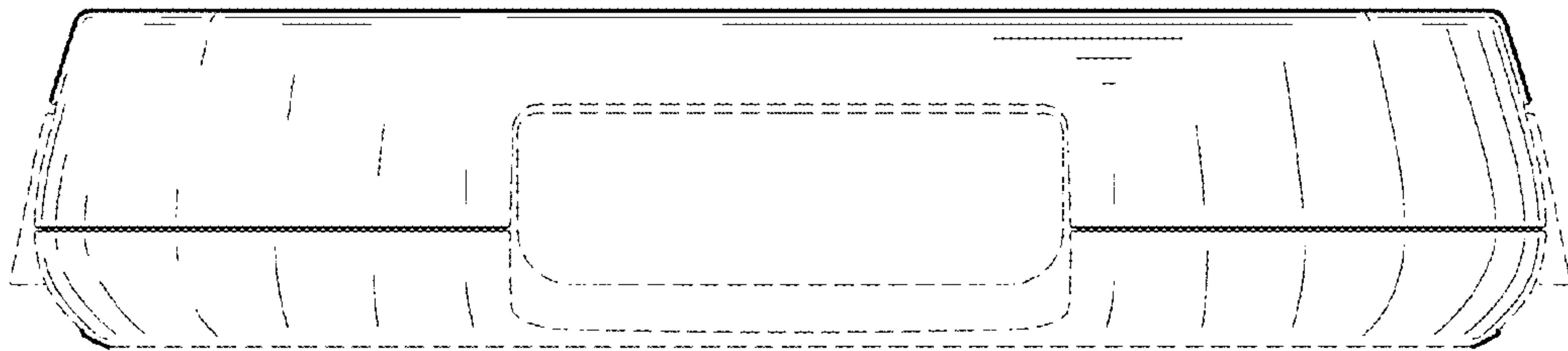


FIG. 5

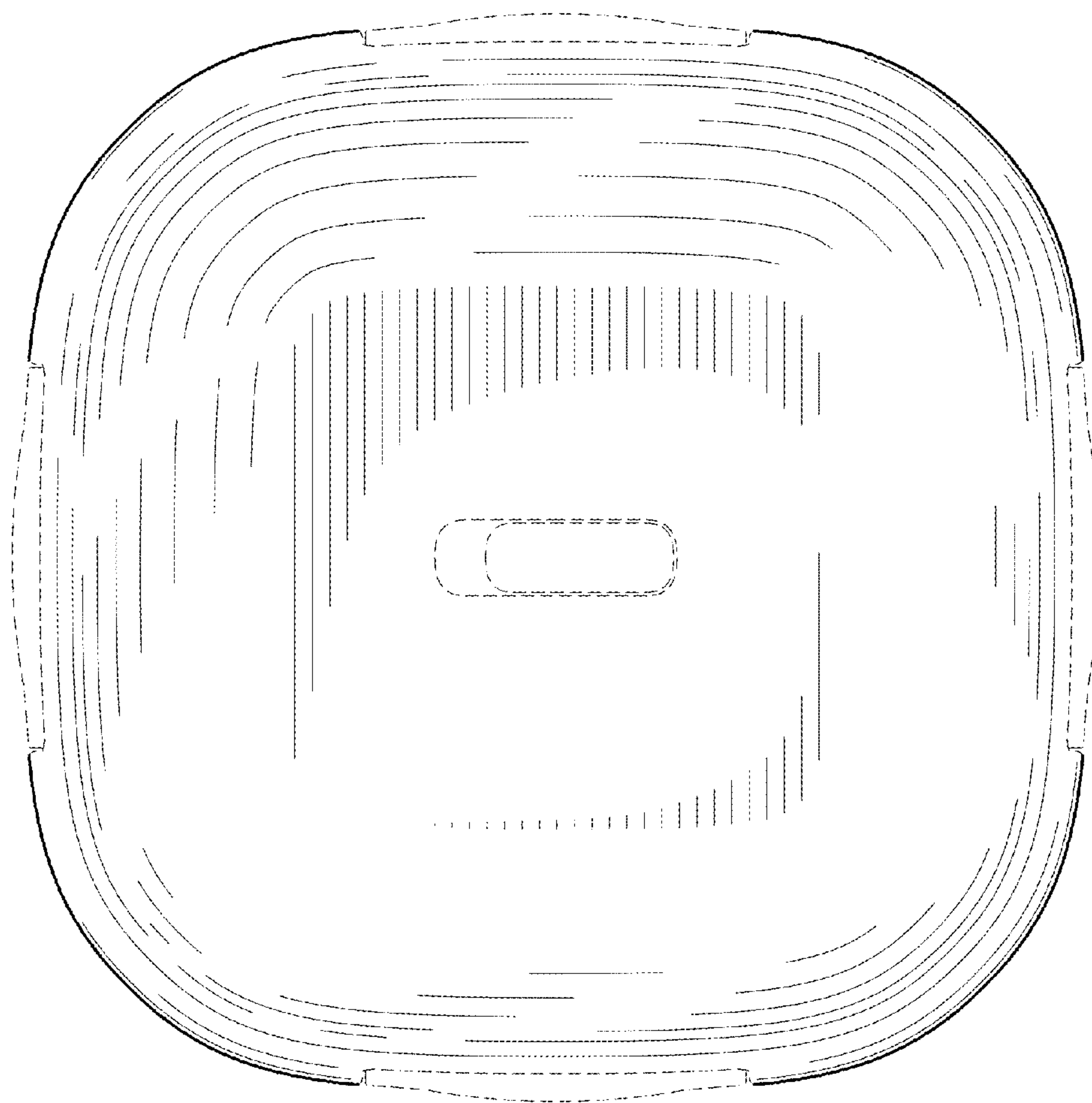


FIG. 6

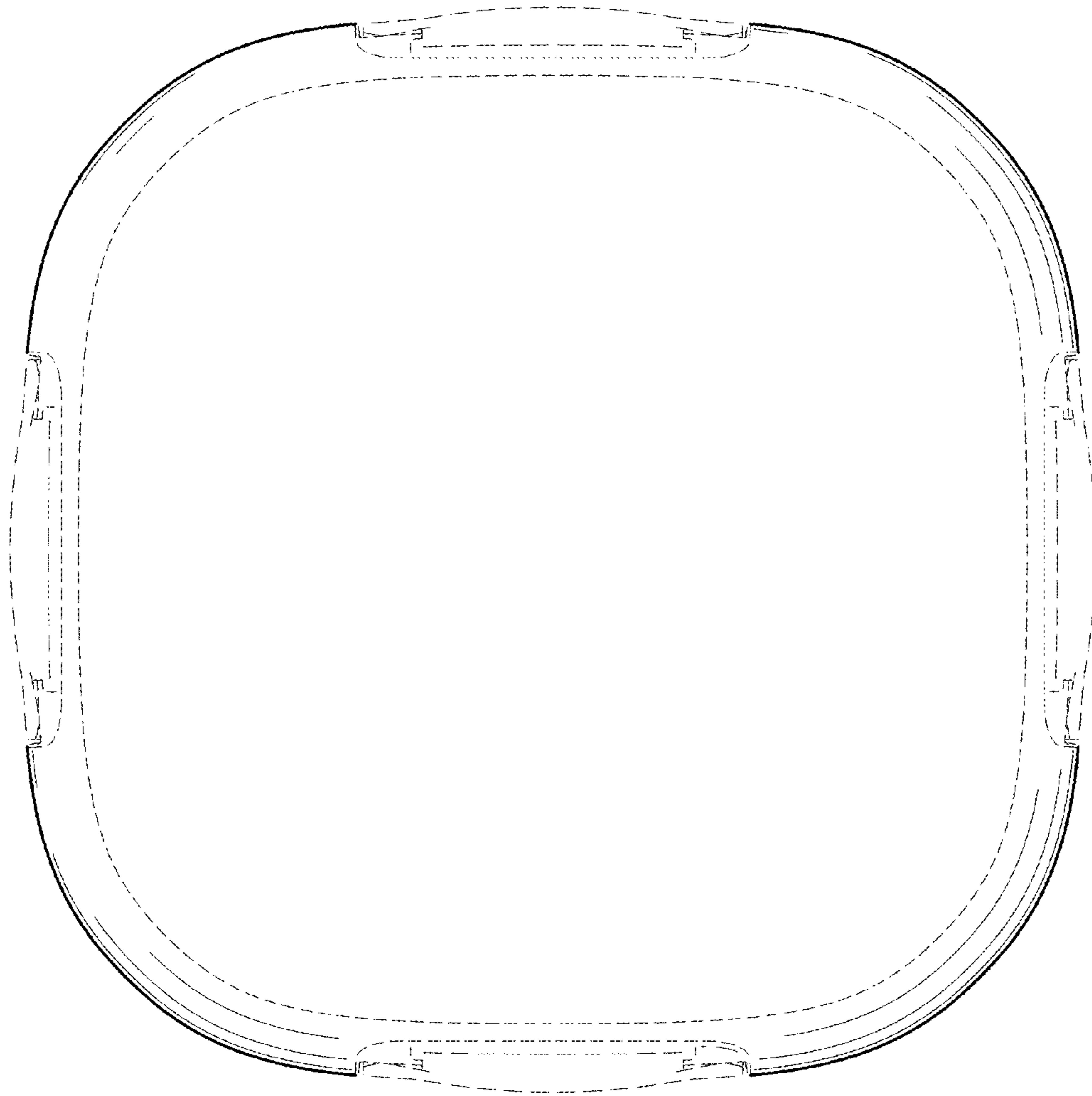


FIG. 7