



US00D737634S

(12) **United States Design Patent**
Brown et al.

(10) **Patent No.:** **US D737,634 S**
(45) **Date of Patent:** **** Sep. 1, 2015**

- (54) **EDUCATIONAL DINNERWARE**
- (71) Applicants: **Lina C. Brown**, Fenton, MI (US); **Billy J. Brown**, Fenton, MI (US)
- (72) Inventors: **Lina C. Brown**, Fenton, MI (US); **Billy J. Brown**, Fenton, MI (US)
- (73) Assignee: **BJTCB, Inc.**, Fenton, MI (US)
- (**) Term: **14 Years**
- (21) Appl. No.: **29/470,055**
- (22) Filed: **Oct. 17, 2013**
- (51) **LOC (10) Cl.** **07-01**
- (52) **U.S. Cl.**
USPC **D7/587**; D7/396.6
- (58) **Field of Classification Search**
USPC D7/543, 545–546, 549, 550.1, 551.1,
D7/553.1–553.8, 555, 558, 560, 571,
D7/584–588, 601–602, 610–614, 360,
D7/554.1–554.4, 564–565, 354, 505,
D7/396.6; 220/574–575; D9/737;
D30/129, 130
CPC A47G 19/02–19/08; A47G 21/14;
A47G 21/145
See application file for complete search history.

(56) **References Cited**

U.S. PATENT DOCUMENTS

2,115,862	A *	5/1938	Leppke	220/23.8
2,117,266	A *	5/1938	Adams	249/55
2,514,094	A	7/1950	Rubin		
2,781,650	A	2/1957	Lee		
2,861,367	A	11/1958	Chanslor		
3,255,544	A	6/1966	Bornholt		
3,514,887	A	6/1970	Jacob		
3,515,262	A	6/1970	Ornstein et al.		
3,935,656	A	2/1976	Pritchard		
4,047,633	A	9/1977	Trombly		
4,263,734	A	4/1981	Bradshaw		
D281,660	S *	12/1985	Trudeau et al.	D7/584
4,655,715	A	4/1987	Van de Carr et al.		

4,679,691	A	7/1987	Halloran		
4,837,954	A	6/1989	Shultz		
4,936,462	A	6/1990	Yuen		
5,095,641	A	3/1992	Dahl		
5,191,979	A	3/1993	Nemeroff		
5,301,802	A	4/1994	Nemeroff		
5,367,803	A	11/1994	Albin		
5,729,922	A	3/1998	Peterson et al.		
5,938,066	A *	8/1999	DeMars	220/574.1
6,464,222	B1	10/2002	Parker		
D482,575	S *	11/2003	Mountain	D7/586
6,960,171	B2	11/2005	Sanders		
7,059,491	B1	6/2006	Smith		
7,064,857	B2	6/2006	Parker et al.		
7,093,832	B2	8/2006	Parker		
7,247,492	B2	7/2007	Smith		

(Continued)

Primary Examiner — Susan Bennett Hattan

Assistant Examiner — Brett Miller

(74) *Attorney, Agent, or Firm* — Warn Partners, P.C.

(57) **CLAIM**

The ornamental educational dinnerware, as shown and described.

DESCRIPTION

FIG. 1 is an angled side top perspective view of an educational dinnerware in accordance with a first or second or third embodiment of the invention;

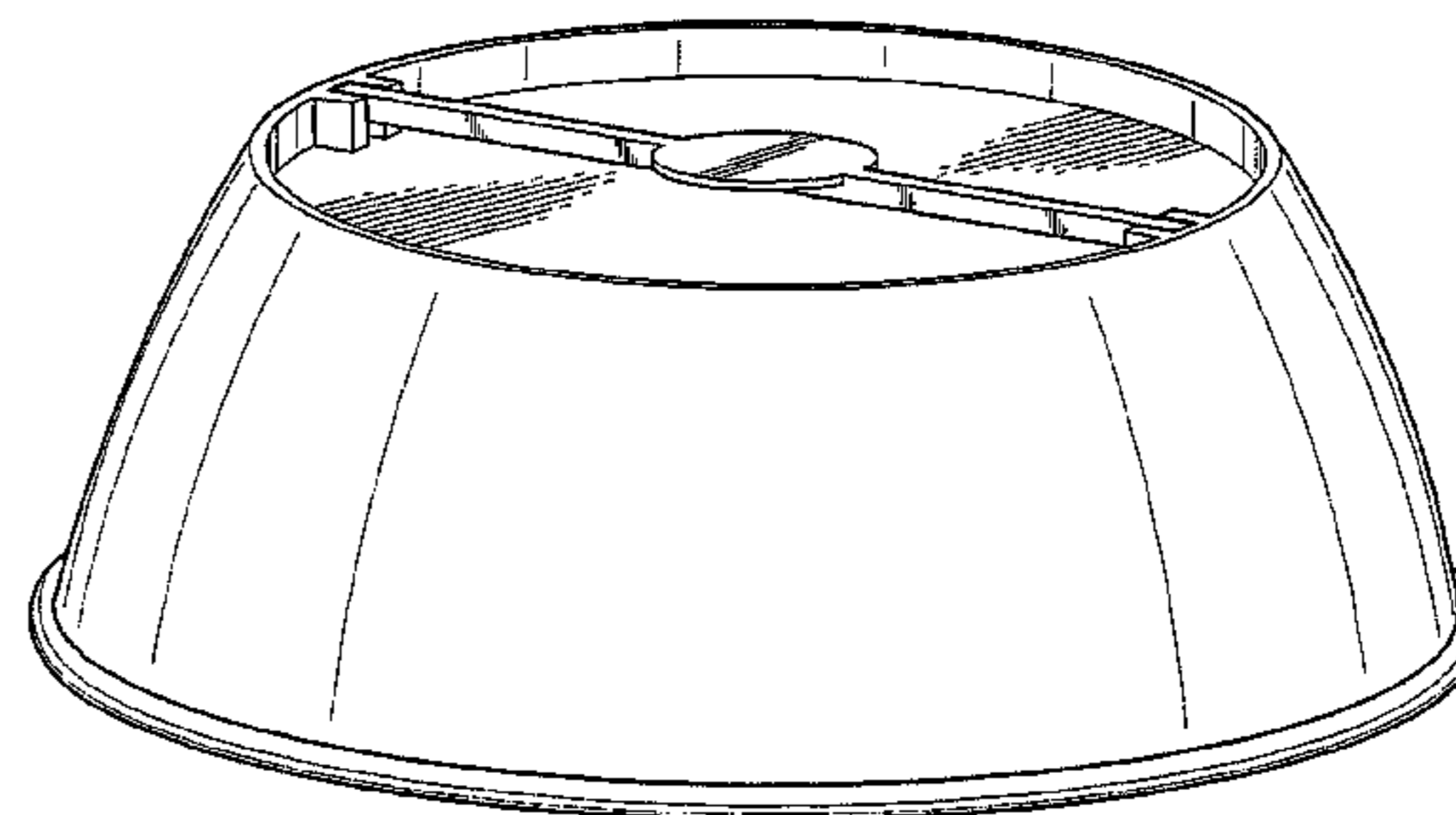
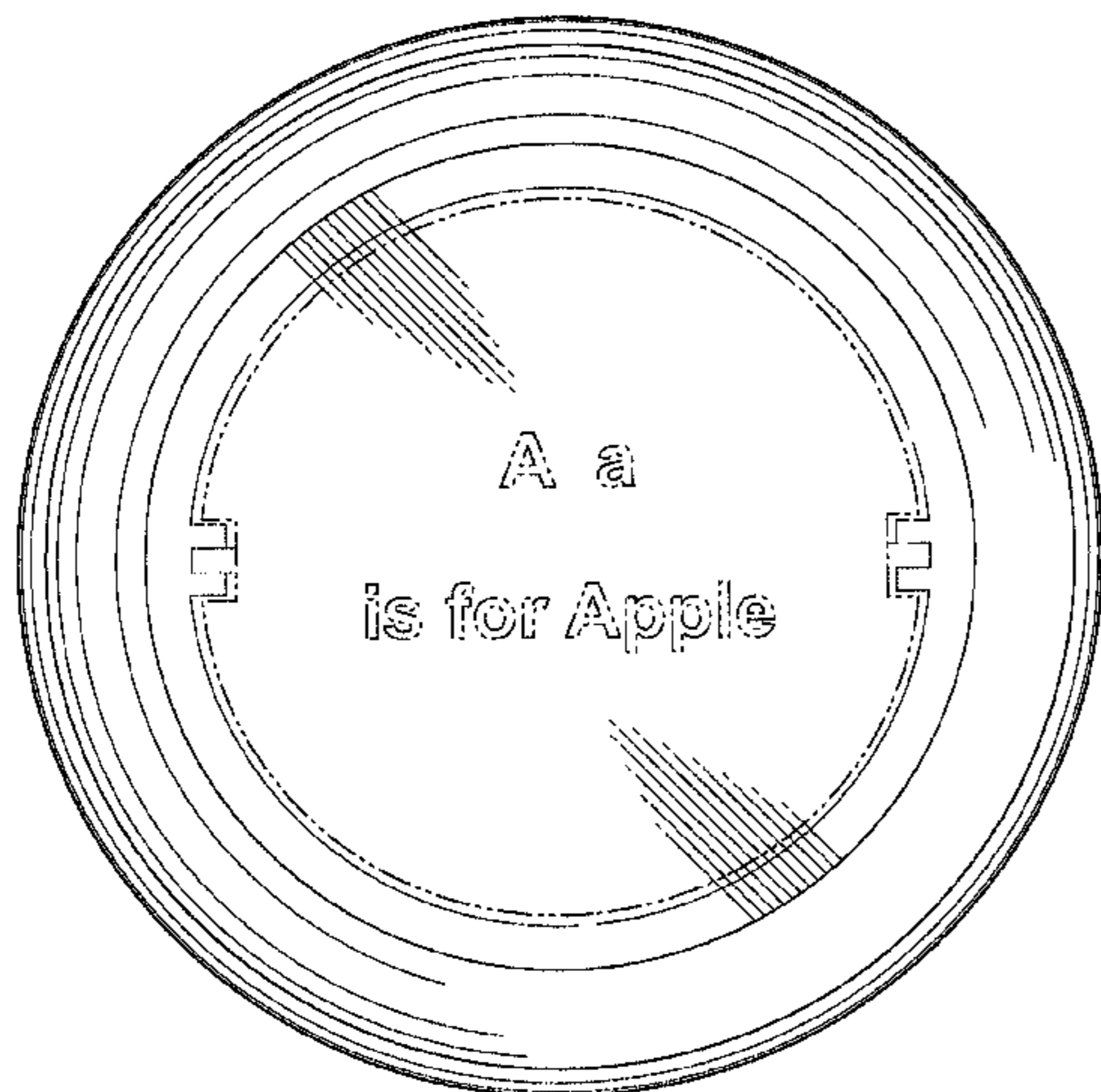
FIG. 2 is a top plan view of the educational dinnerware in accordance with the first embodiment of the invention;

FIG. 3 is a side view of the educational dinnerware in accordance with a first or second or third embodiment of the invention;

FIG. 4 is a bottom plan view of the educational dinnerware in accordance with the first embodiment of the invention; and, FIG. 5 is an angled side perspective bottom view of the educational dinnerware in accordance with the first embodiment of the invention.

The broken lines shown in all of the figures showing the a educational dinnerware do not form part of the claimed design.

1 Claim, 3 Drawing Sheets



(56)

References Cited

U.S. PATENT DOCUMENTS

7,437,841 B2	10/2008	Thum	7,818,866 B2	10/2010	Hollis et al.
7,536,767 B2	5/2009	Hollis et al.	7,918,005 B2	4/2011	Hollis et al.
7,552,841 B2	6/2009	Hollis et al.	7,918,016 B2	4/2011	Hollis et al.
D600,972 S *	9/2009	Andersson D7/391	8,087,147 B2	1/2012	Hollis et al.
7,610,703 B2	11/2009	Thum	D704,985 S *	5/2014	Lin D7/391
7,637,388 B2	12/2009	Schantz et al.	D708,472 S *	7/2014	Landers D7/391
7,673,750 B1	3/2010	Huckert	2003/0041489 A1	3/2003	Murphy et al.
7,694,843 B2	4/2010	Hollis et al.	2004/0060212 A1	4/2004	Murphy et al.
7,704,347 B2	4/2010	Hollis et al.	2006/0087831 A1*	4/2006	Kramer 362/101
7,814,647 B2	10/2010	Hollis et al.	2008/0072370 A1*	3/2008	Phipps 4/324
			2009/0321455 A1	12/2009	Fernandez et al.
			2013/0057005 A1*	3/2013	Grieve 294/172

* cited by examiner

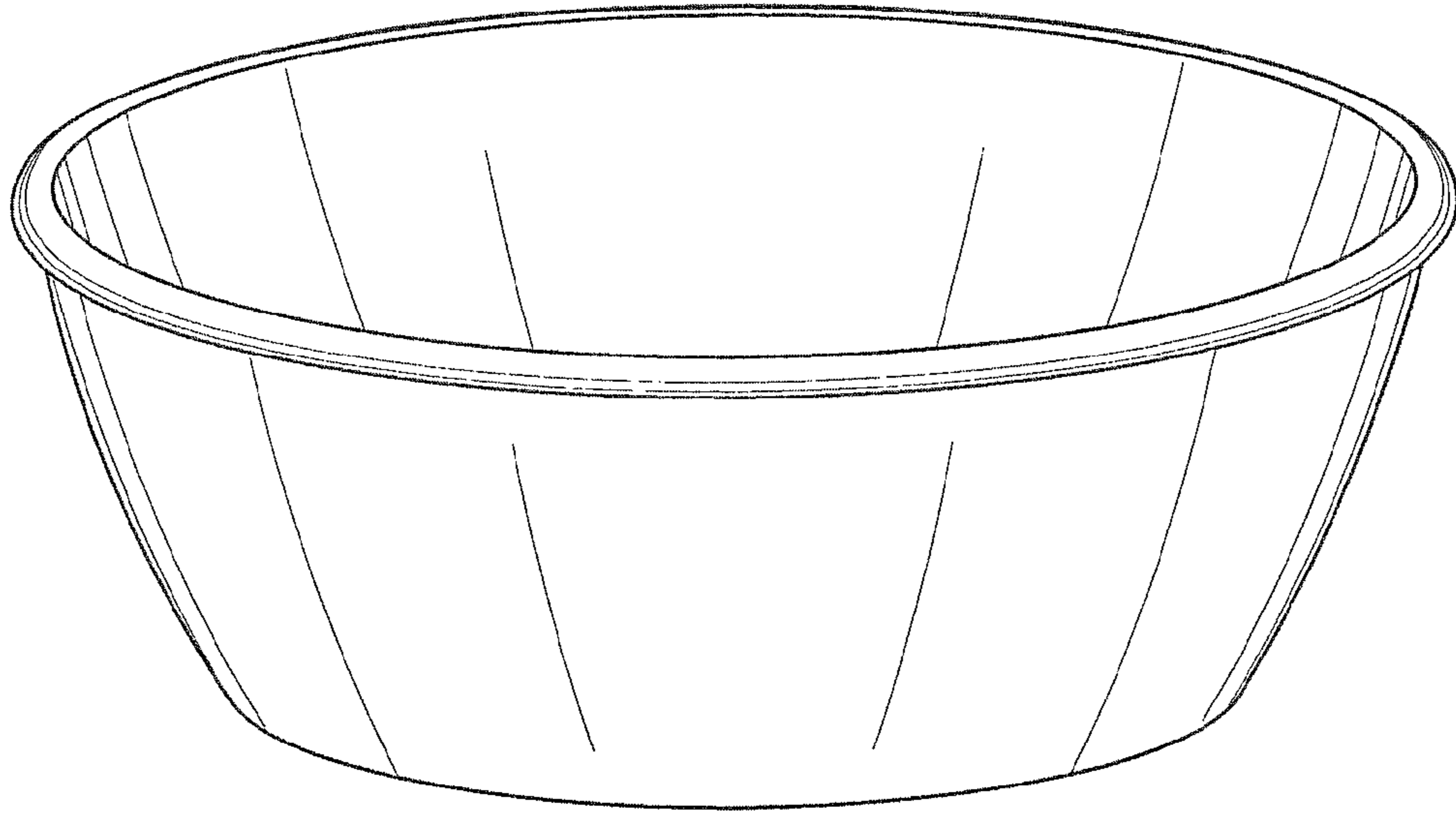
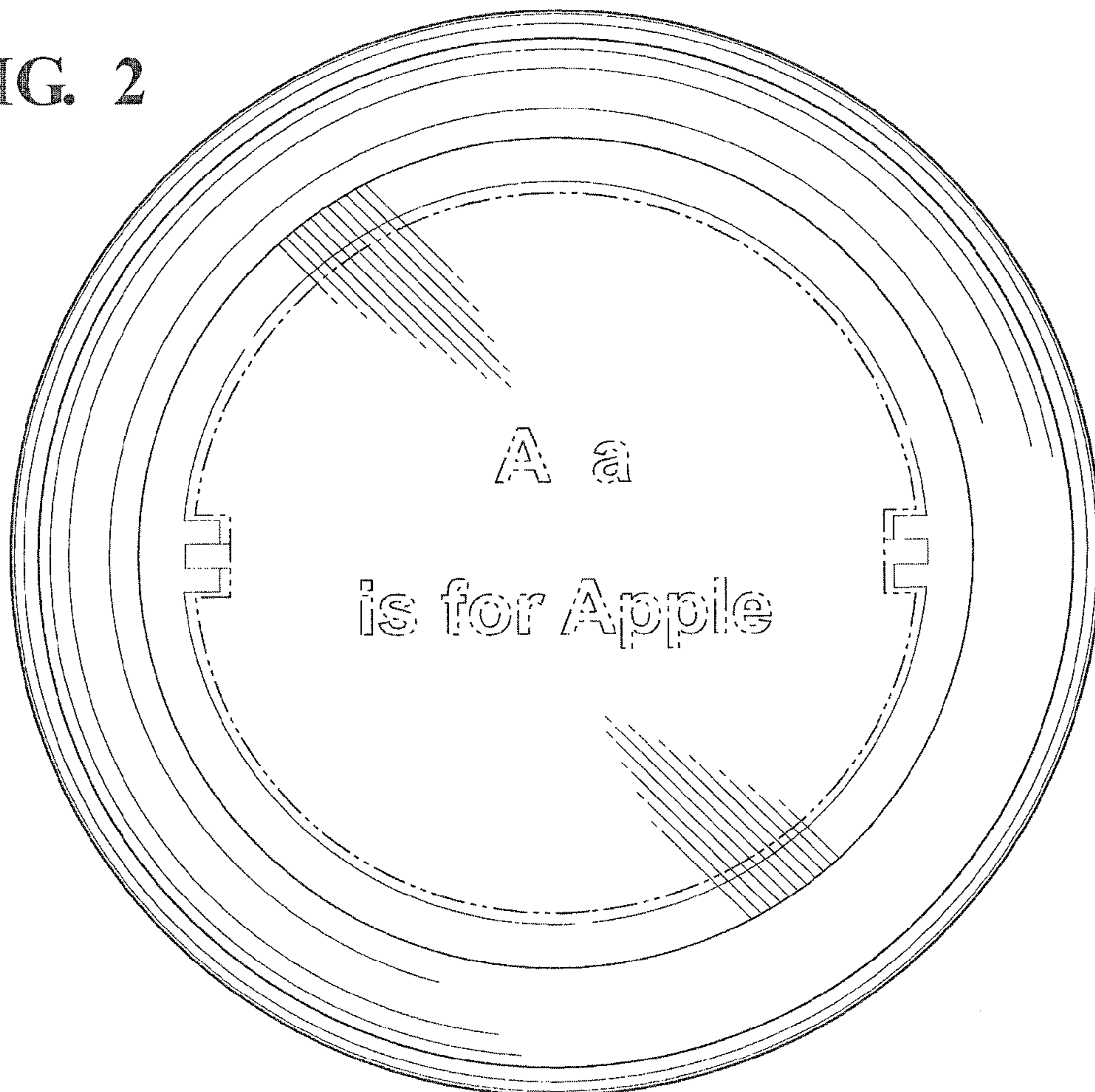


FIG. 1

FIG. 2



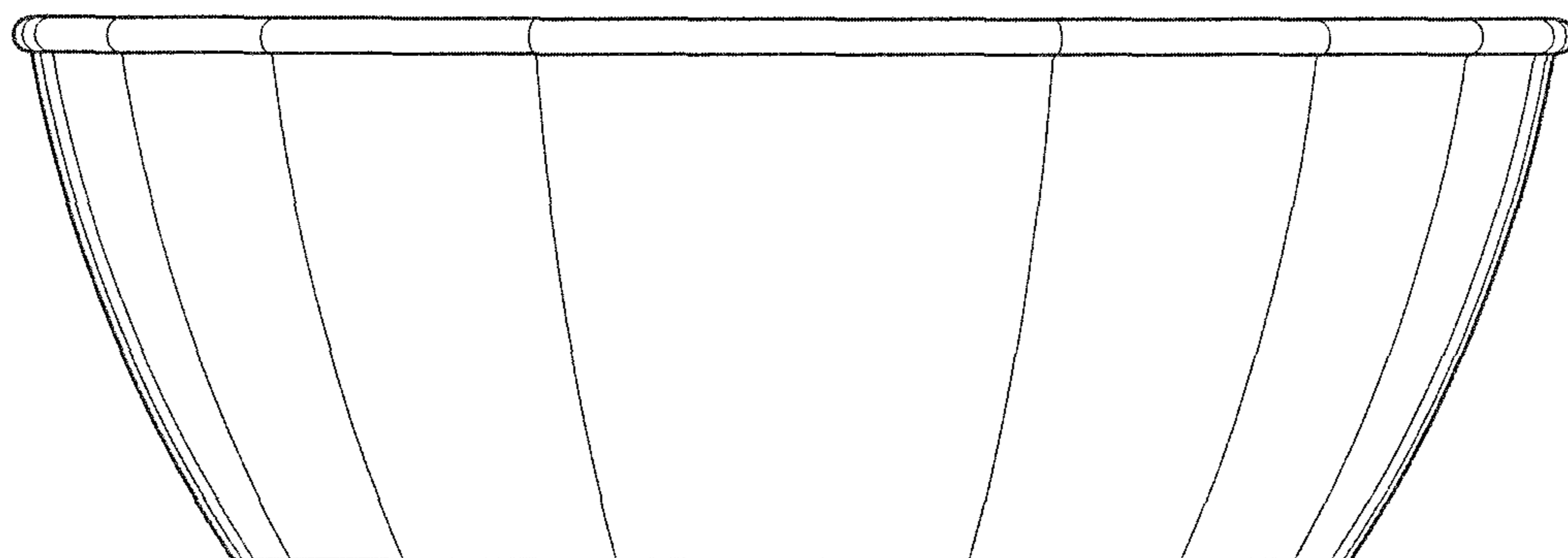
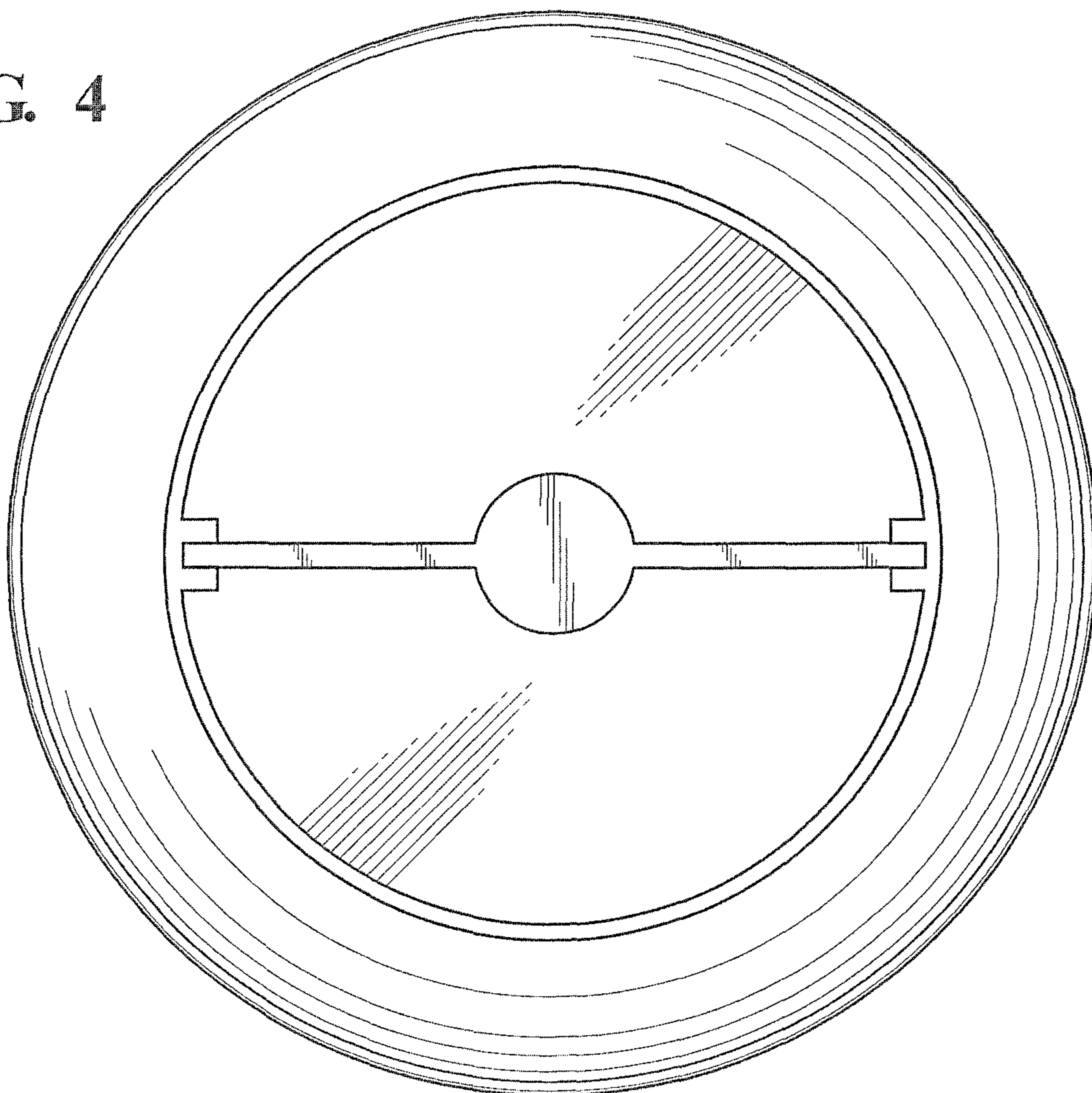


FIG. 3

FIG. 4



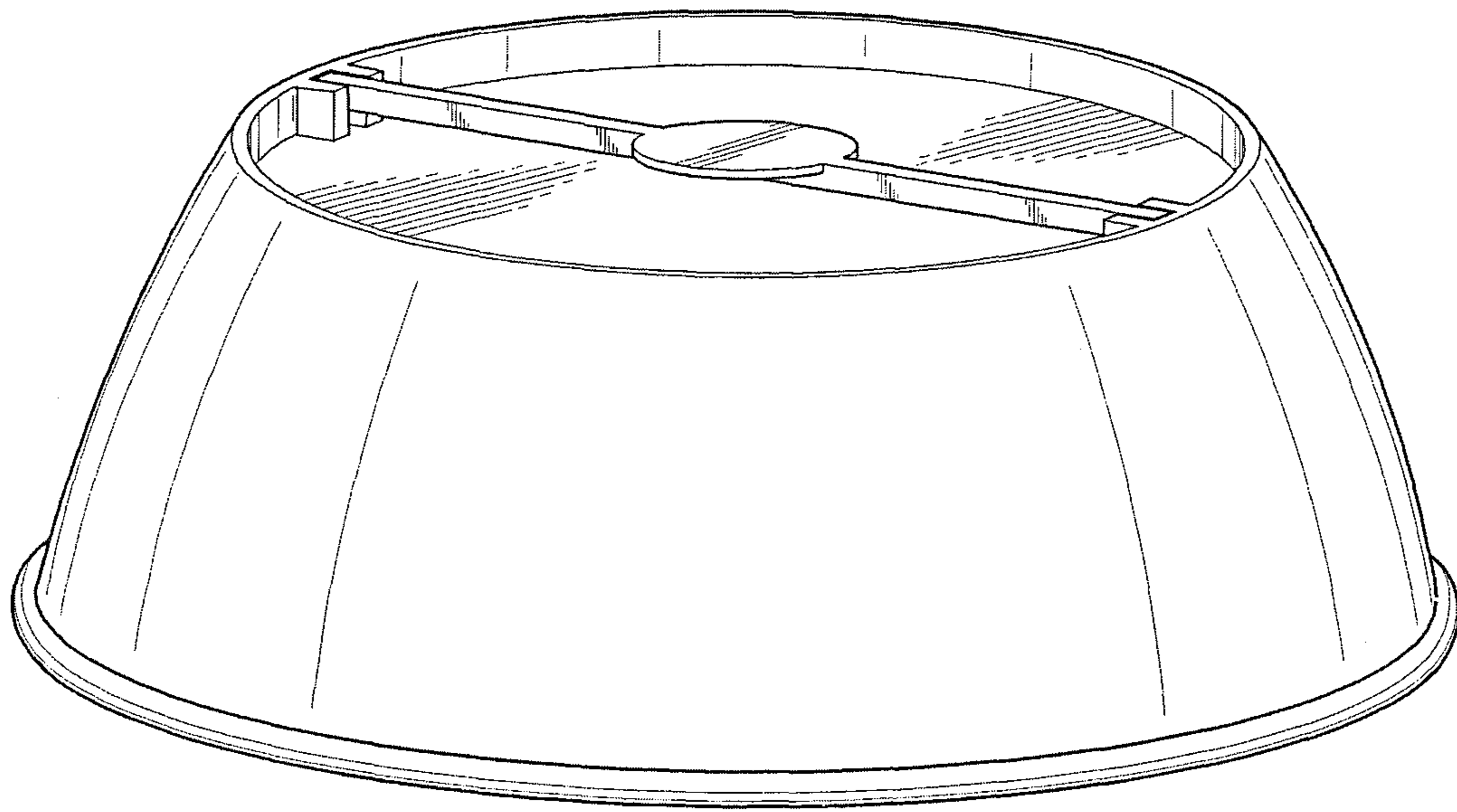


FIG. 5