



US00D737632S

(12) **United States Design Patent**
Miller

(10) **Patent No.:** **US D737,632 S**
(45) **Date of Patent:** **** Sep. 1, 2015**

(54) **BOWL WITH HANDLE SUPPORT**
(71) Applicant: **Jenna K. Miller**, Delray Beach, FL (US)
(72) Inventor: **Jenna K. Miller**, Delray Beach, FL (US)
(**) Term: **14 Years**
(21) Appl. No.: **29/454,454**
(22) Filed: **May 10, 2013**
(51) **LOC (10) Cl.** **07-01**
(52) **U.S. Cl.**
USPC **D7/548; D7/536**
(58) **Field of Classification Search**
USPC D7/545, 543, 500, 536, 302, 318, 598,
D7/548; 220/574, 574.1
CPC A47G 19/00
See application file for complete search history.

D657,164 S * 4/2012 Grimaldi D6/491
8,162,171 B2 * 4/2012 Seehoff et al. 220/757
D661,948 S * 6/2012 Bangert D7/535
D668,915 S * 10/2012 Drees D7/586
D673,426 S * 1/2013 Heiberg et al. D7/545
D681,396 S * 5/2013 Krus D7/545
D717,118 S * 11/2014 Frerichs et al. D7/548
2004/0118861 A1 * 6/2004 Bergman et al. 220/756
2007/0284426 A1 * 12/2007 Lo 229/403

* cited by examiner

Primary Examiner — Cynthia Underwood
(74) *Attorney, Agent, or Firm* — Malin Haley DiMaggio & Bowen, P.A.

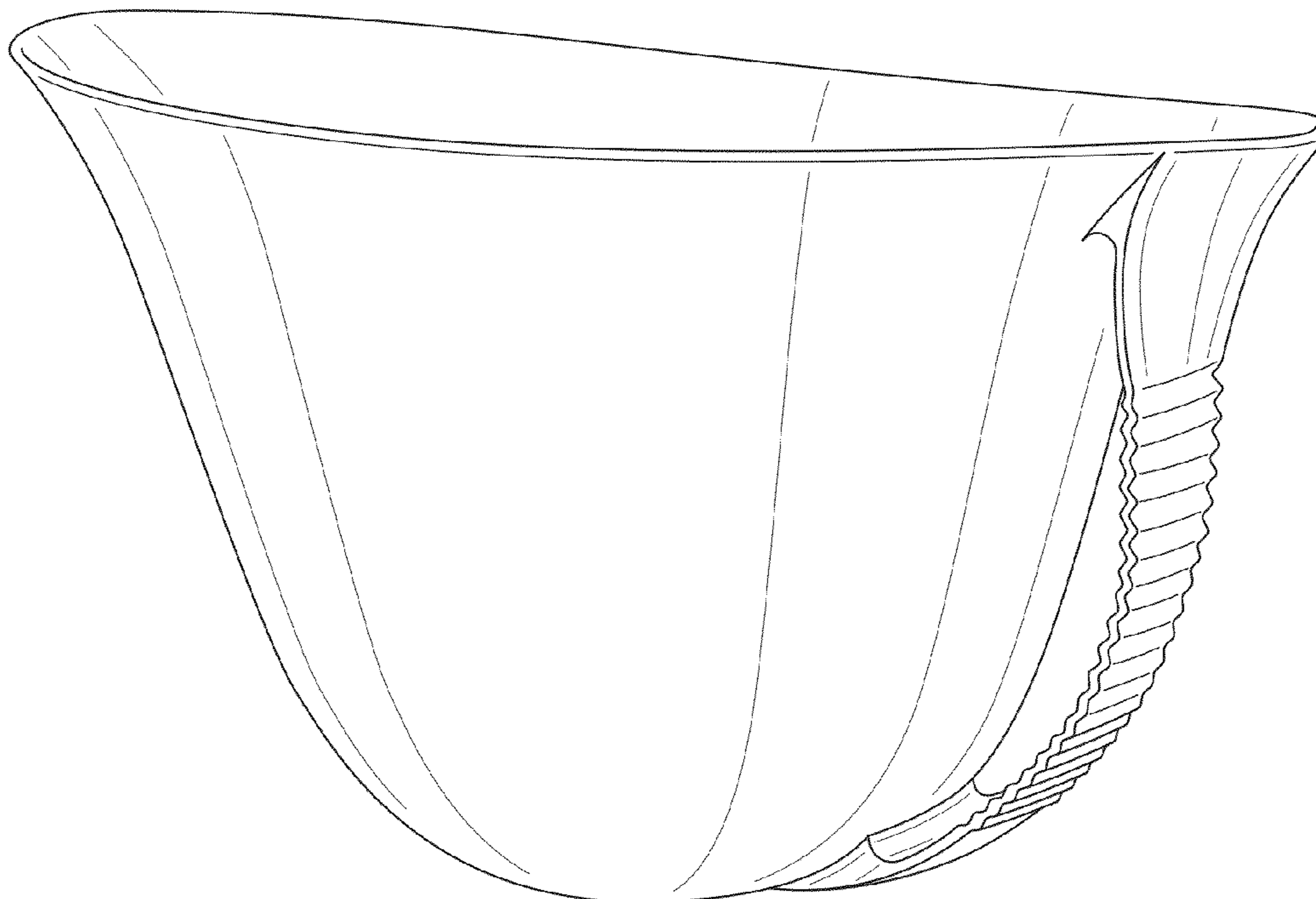
(57) **CLAIM**
The ornamental design for a bowl with handle support, as shown and described.

DESCRIPTION

FIG. 1 is a rear perspective view of the present invention, showing the bowl with handle support of the new design; FIG. 2 is a front elevational view thereof; FIG. 3 is a back elevational view thereof; FIG. 4 is a left side elevational view thereof; FIG. 5 is a right side elevational view thereof; FIG. 6 is a top plan elevational view thereof; and, FIG. 7 is a bottom plan elevational view thereof.

1 Claim, 7 Drawing Sheets

(56) **References Cited**
U.S. PATENT DOCUMENTS
3,504,832 A 4/1970 Corvetti
D283,587 S * 4/1986 Otake D7/319
D285,277 S * 8/1986 Murai D7/319
D427,854 S * 7/2000 Chen D7/515
6,688,485 B1 * 2/2004 Lauer et al. 220/574
D522,313 S * 6/2006 Oylar et al. D7/543
D578,350 S * 10/2008 Eide et al. D7/536
D621,221 S * 8/2010 Henry D7/536
8,074,829 B2 * 12/2011 Seehoff et al. 220/757



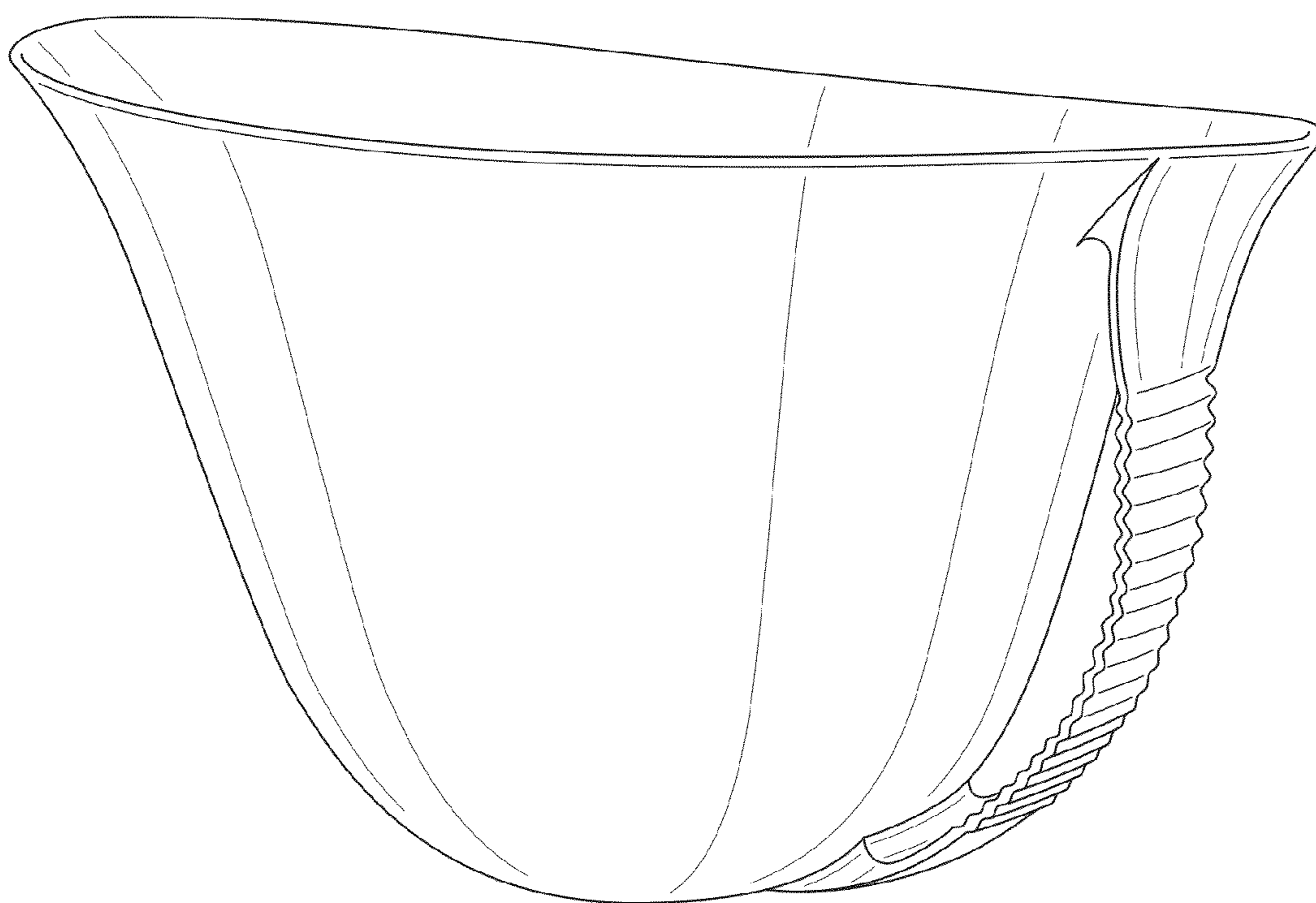


FIG. 1

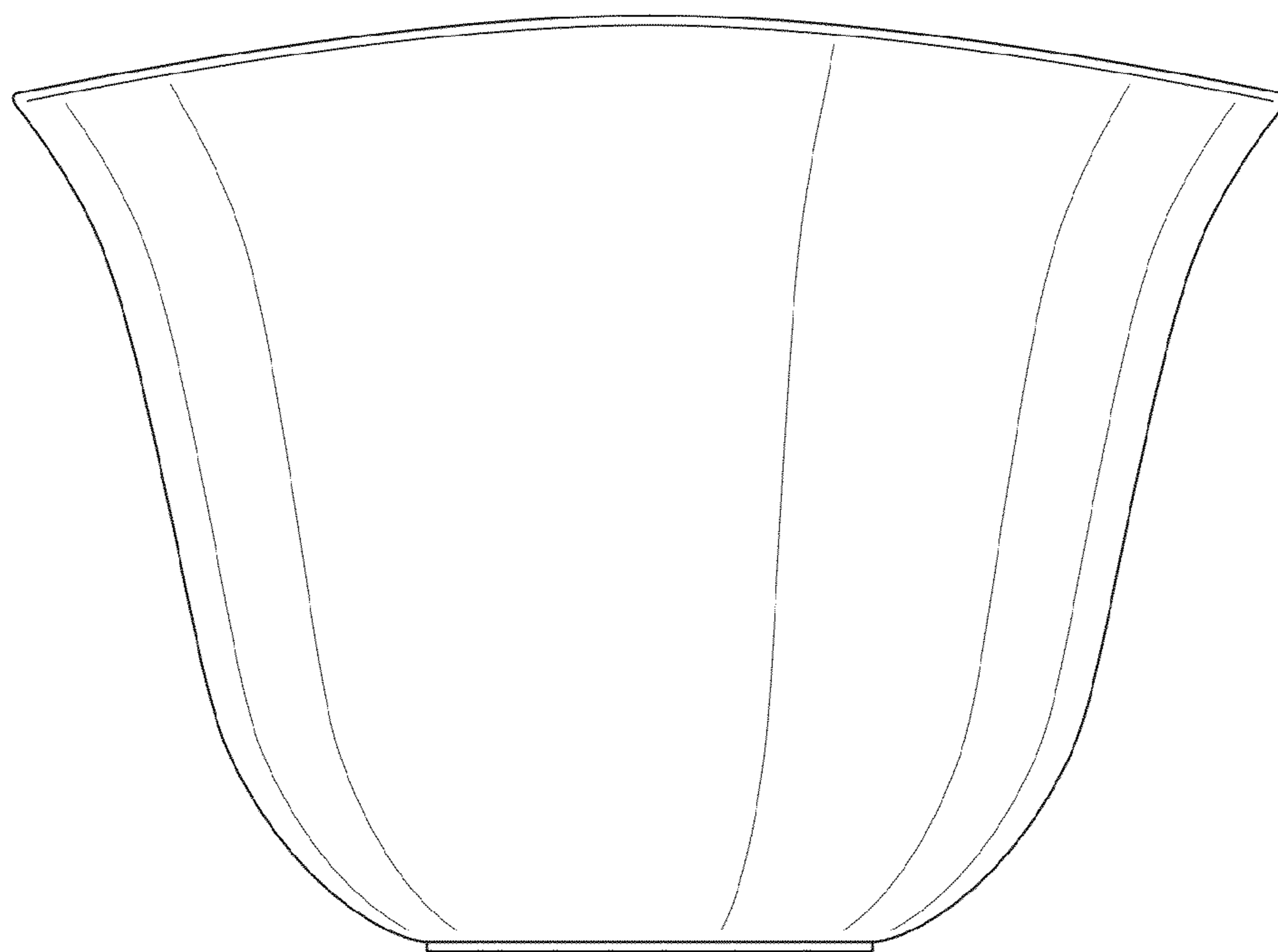


FIG. 2

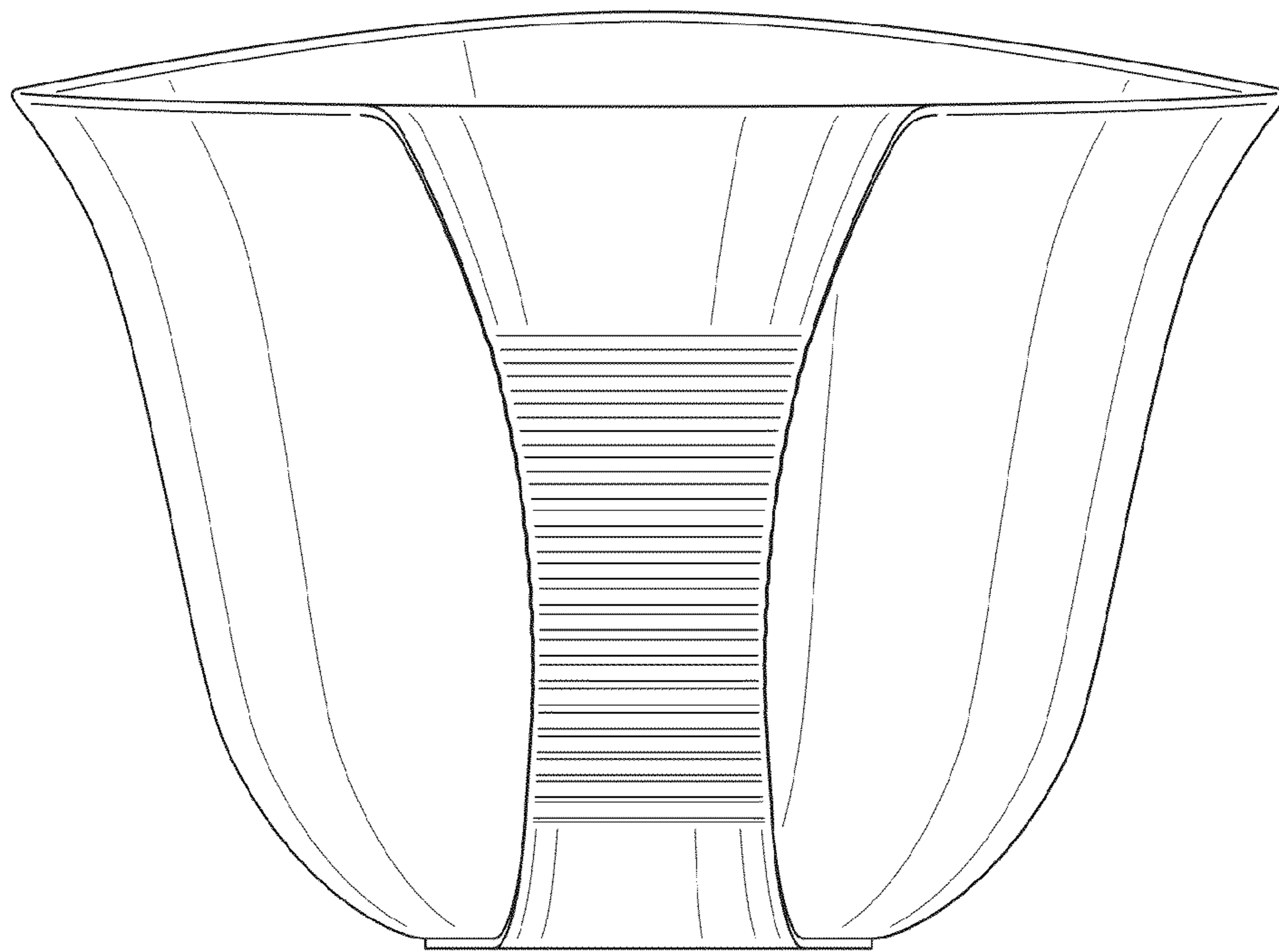


FIG. 3

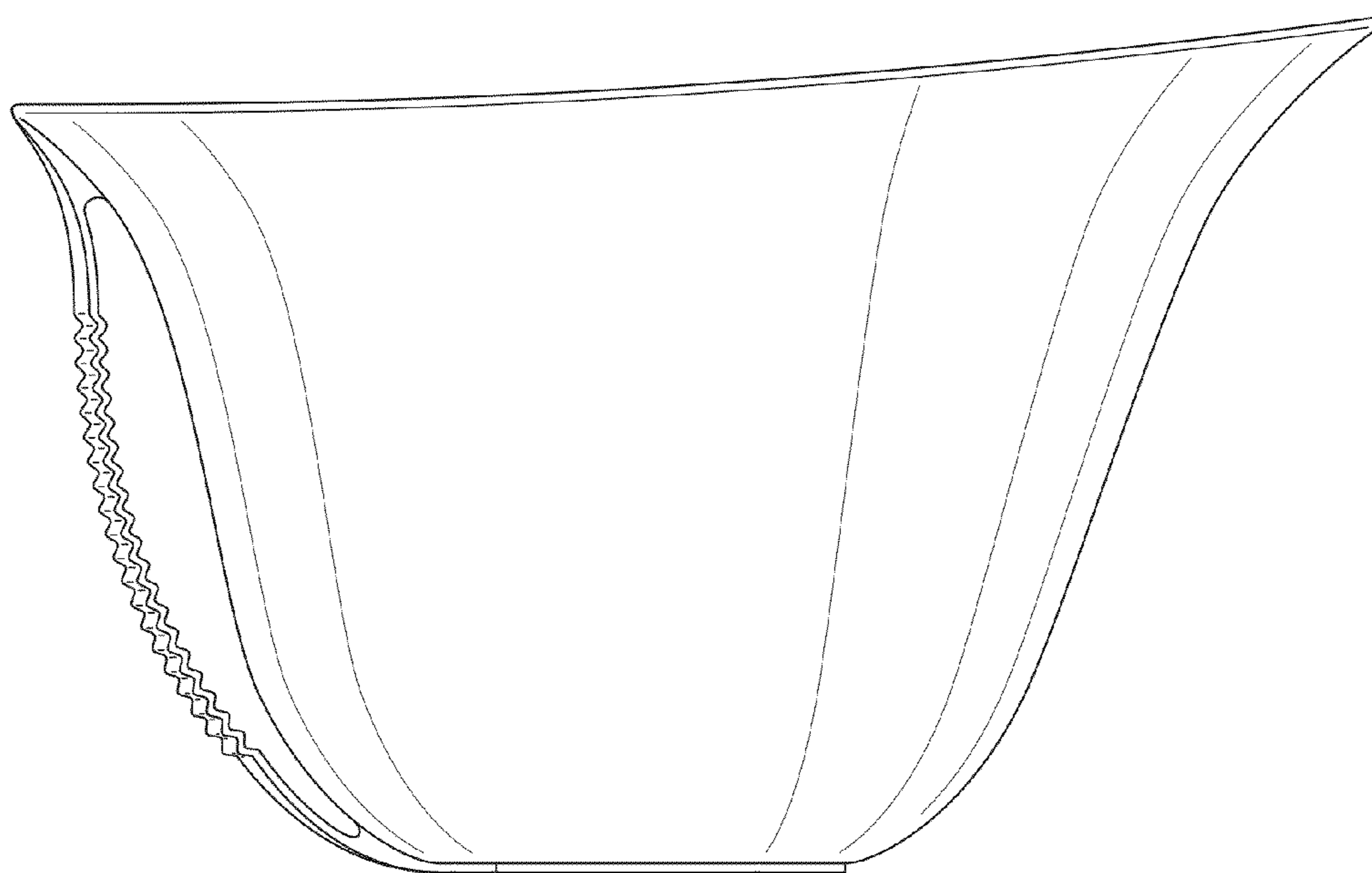


FIG. 4

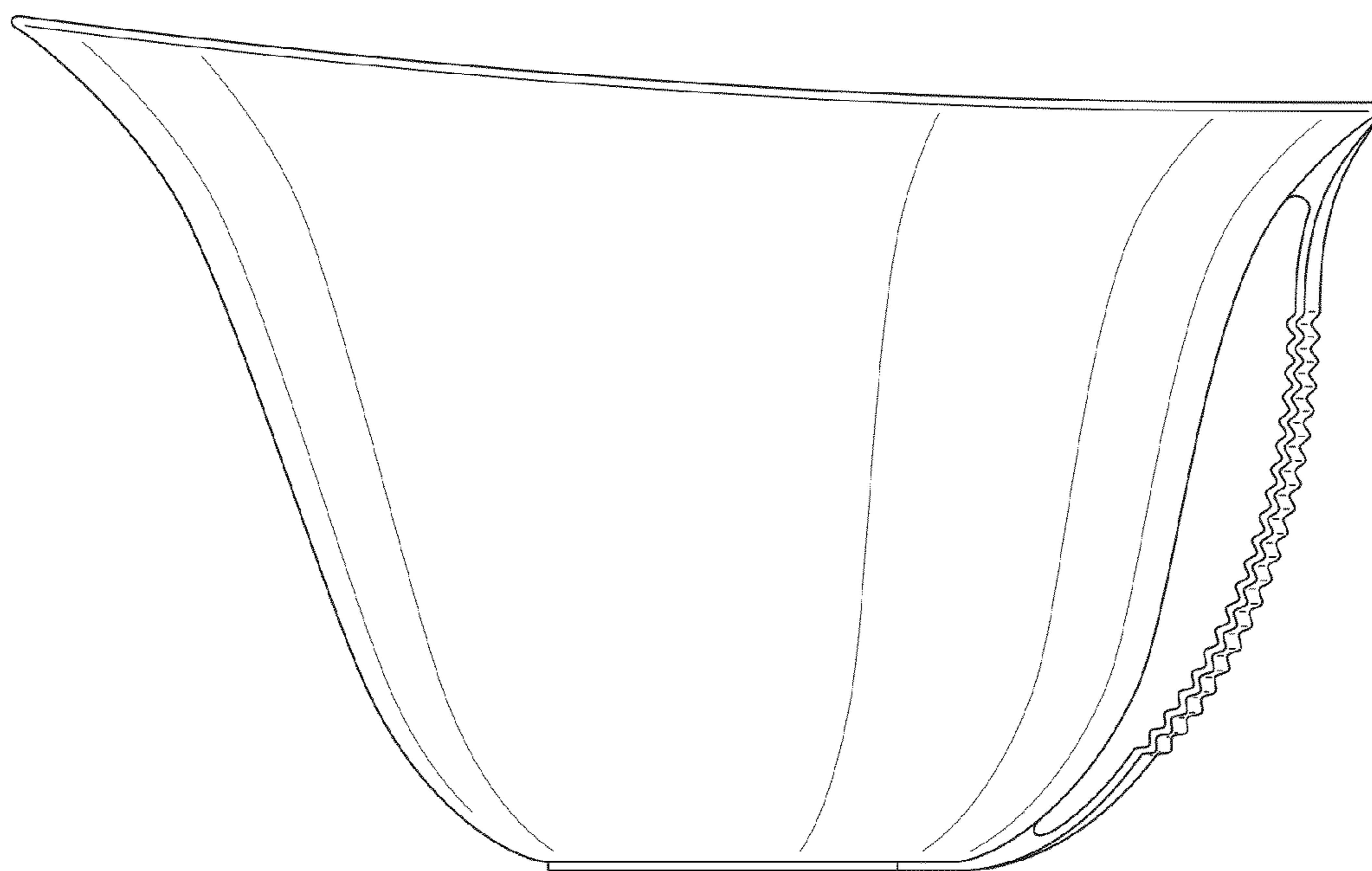


FIG. 5

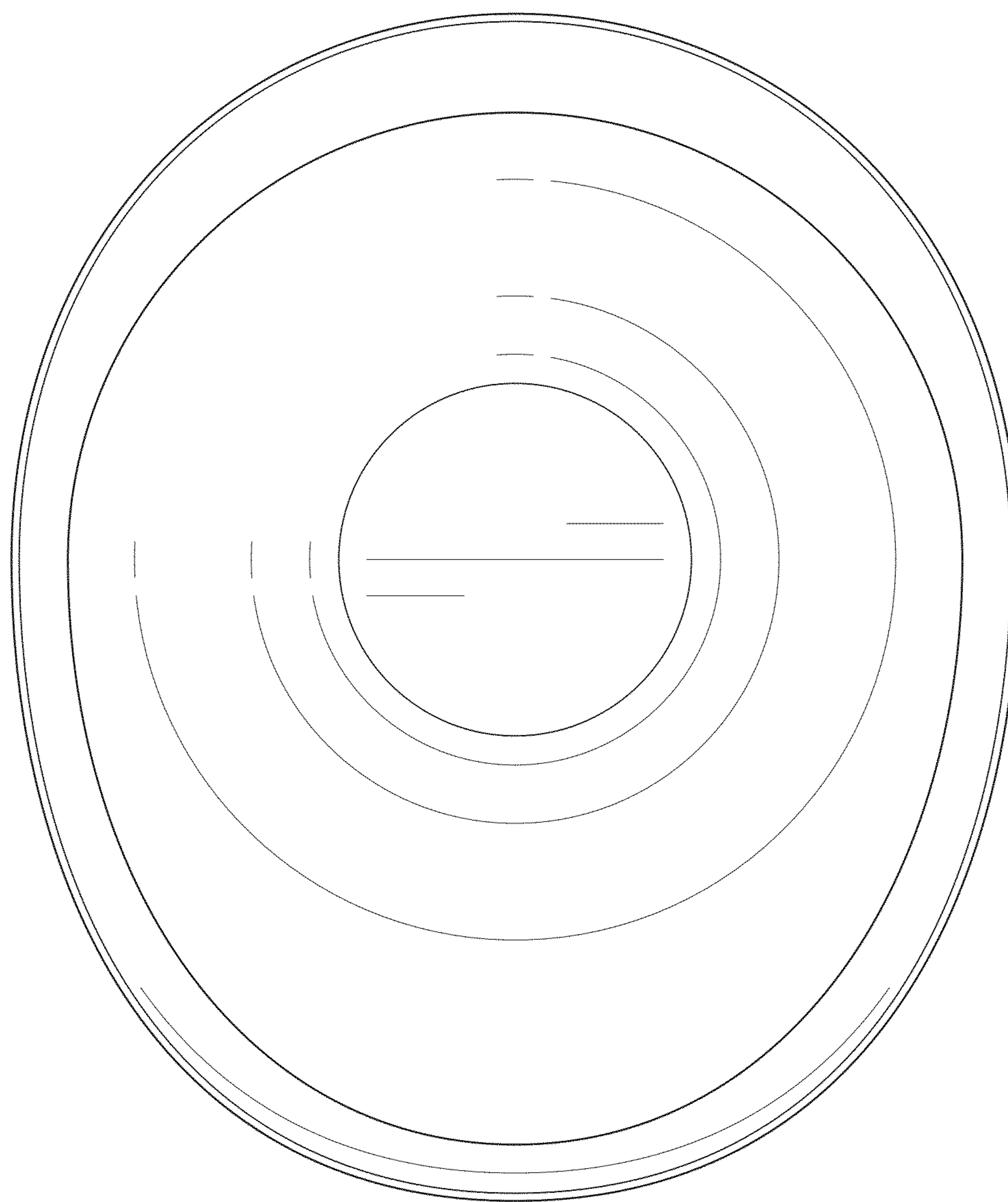


FIG. 6

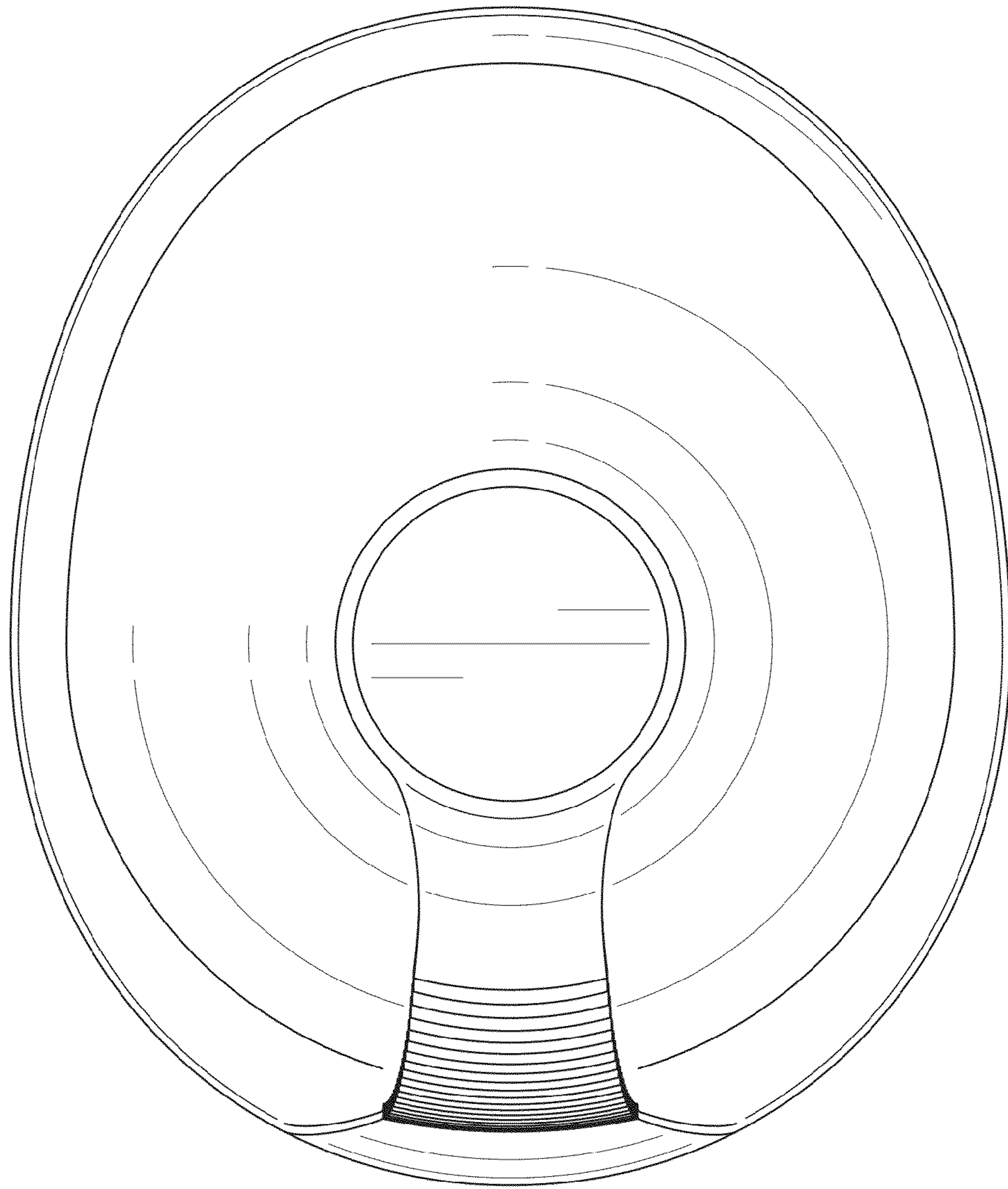


FIG. 7