



US00D737628S

(12) **United States Design Patent**
Stone

(10) **Patent No.:** **US D737,628 S**

(45) **Date of Patent:** **** Sep. 1, 2015**

(54) **COOKING GRIDDLE**

(71) Applicant: **Camron Stone**, Arcadia, CA (US)

(72) Inventor: **Camron Stone**, Arcadia, CA (US)

(**) Term: **14 Years**

(21) Appl. No.: **29/453,966**

(22) Filed: **May 3, 2013**

(51) **LOC (10) Cl.** **07-02**

(52) **U.S. Cl.**
USPC **D7/409**

(58) **Field of Classification Search**

USPC D7/323, 332, 335-337, 354-355,
D7/359-364, 387-388, 392.1, 402,
D7/407-409; D8/47; D23/332; 99/324,
99/340, 400, 419, 421 H, 421 V, 422-426,
99/448, 450; 126/1 R, 9 R, 25 AA, 25 R, 40,
126/41 R, 214 C, 332, 337 R, 339; 220/571,
220/573.1-573.3; 312/410; 426/509, 523
CPC A21B 2/00; A21B 3/00; A21B 3/13;
A21B 3/15; A21B 5/00; A21B 5/02; A23N
12/06; A23N 12/08; A23N 12/10; A47J
27/004; A47J 36/26; A47J 37/00; A47J 37/04;
A47J 37/041; A47J 37/042; A47J 37/06;
A47J 37/0688; A47J 37/0694; A47J 37/07;
A47J 37/0704; A47J 37/0763; A47J 37/10;
A47J 47/20; A47J 2037/00; A47J 2037/06;
A47J 2037/0611; A47J 2037/07; A47J
2037/0786; A47J 2037/0795; F24C 1/16;
F24C 3/085; F24C 15/10; F24C 15/12;
F24C 15/14; F24C 15/16; F24C 15/164;
F24C 15/18

See application file for complete search history.

(56) **References Cited**

U.S. PATENT DOCUMENTS

246,561	A *	8/1881	Sassinot et. al.	126/25 R
2,528,312	A *	10/1950	Jorgensen	126/40
3,331,365	A *	7/1967	Sussan	126/25 R
D390,935	S *	2/1998	Bosje et al.	D23/332
D428,305	S *	7/2000	Berkes	D7/409
6,105,487	A *	8/2000	Nash et al.	99/400
D677,987	S *	3/2013	High	D7/402
D679,943	S *	4/2013	Zhou	D7/402
D695,059	S *	12/2013	Mehler et al.	D7/359
D717,104	S *	11/2014	Redfern	D7/392.1
D722,257	S *	2/2015	Lee et al.	D8/47
2007/0199555	A1 *	8/2007	Gregory	126/9 R
2010/0307347	A1 *	12/2010	Menashes	99/340

* cited by examiner

Primary Examiner — Ricky Pham

(74) *Attorney, Agent, or Firm* — Pasadena Legal Group;
Norman R. Van Treeck

(57) **CLAIM**

The ornamental design for a cooking griddle, as shown and described.

DESCRIPTION

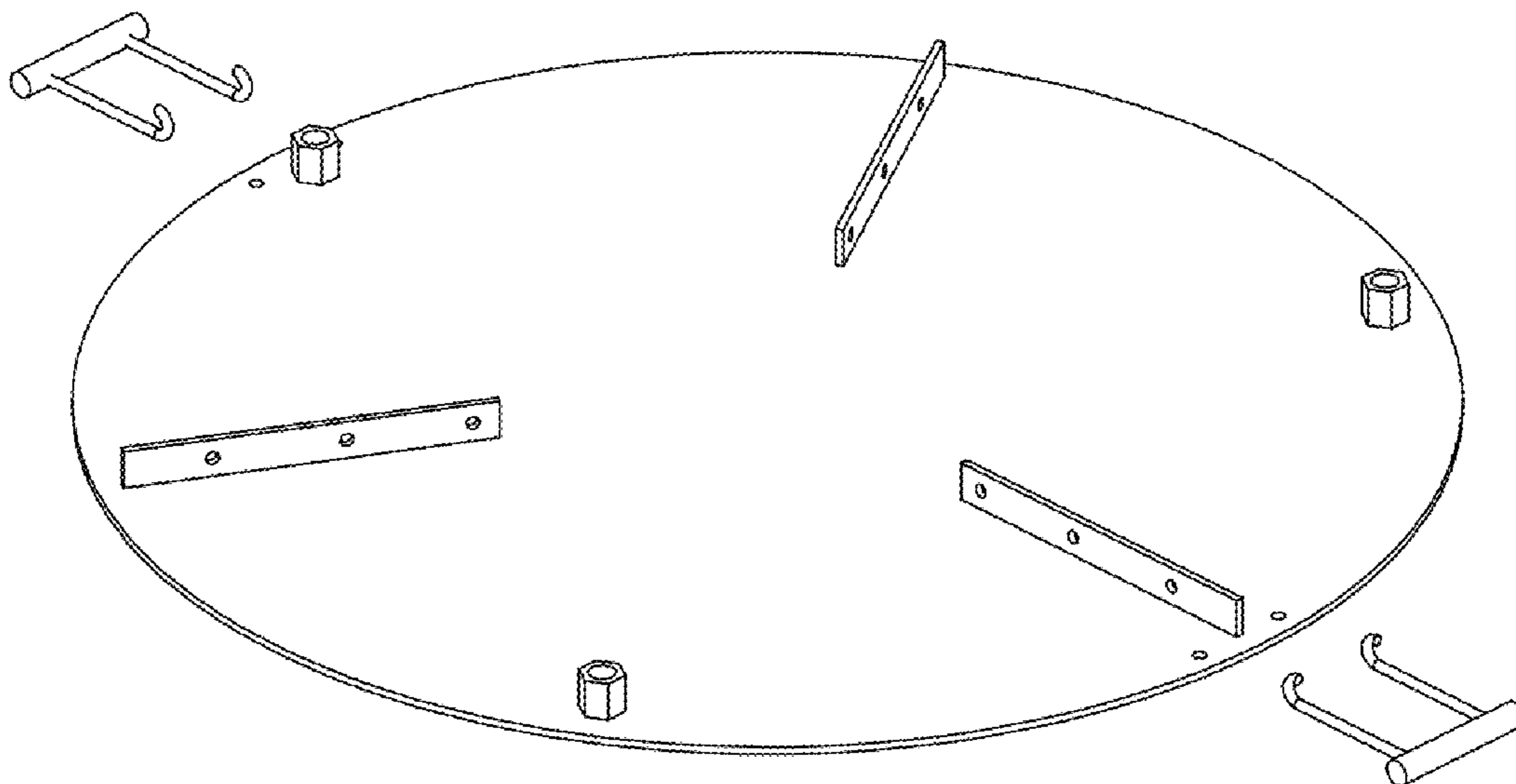
FIG. 1 is an exploded perspective view of a cooking griddle adaptable to be placed on any outdoor cooking grill according to my design;

FIG. 2 is a top view thereof, shown without the handles for ease and clarity of illustration;

FIG. 3 is a right side view thereof, the left side view being mirror symmetrical; and,

FIG. 4 is a bottom view thereof.

1 Claim, 2 Drawing Sheets



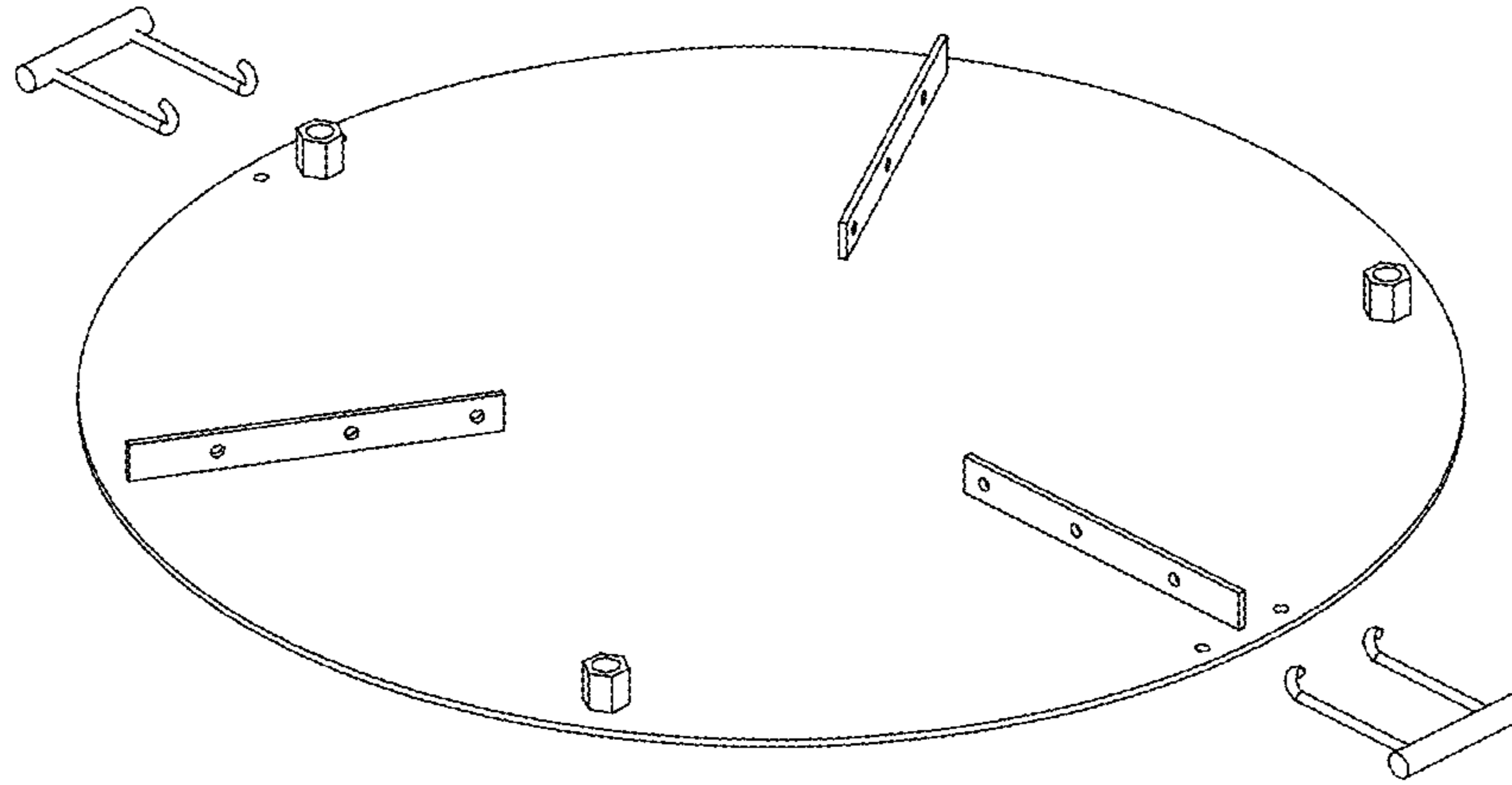


FIG. 1

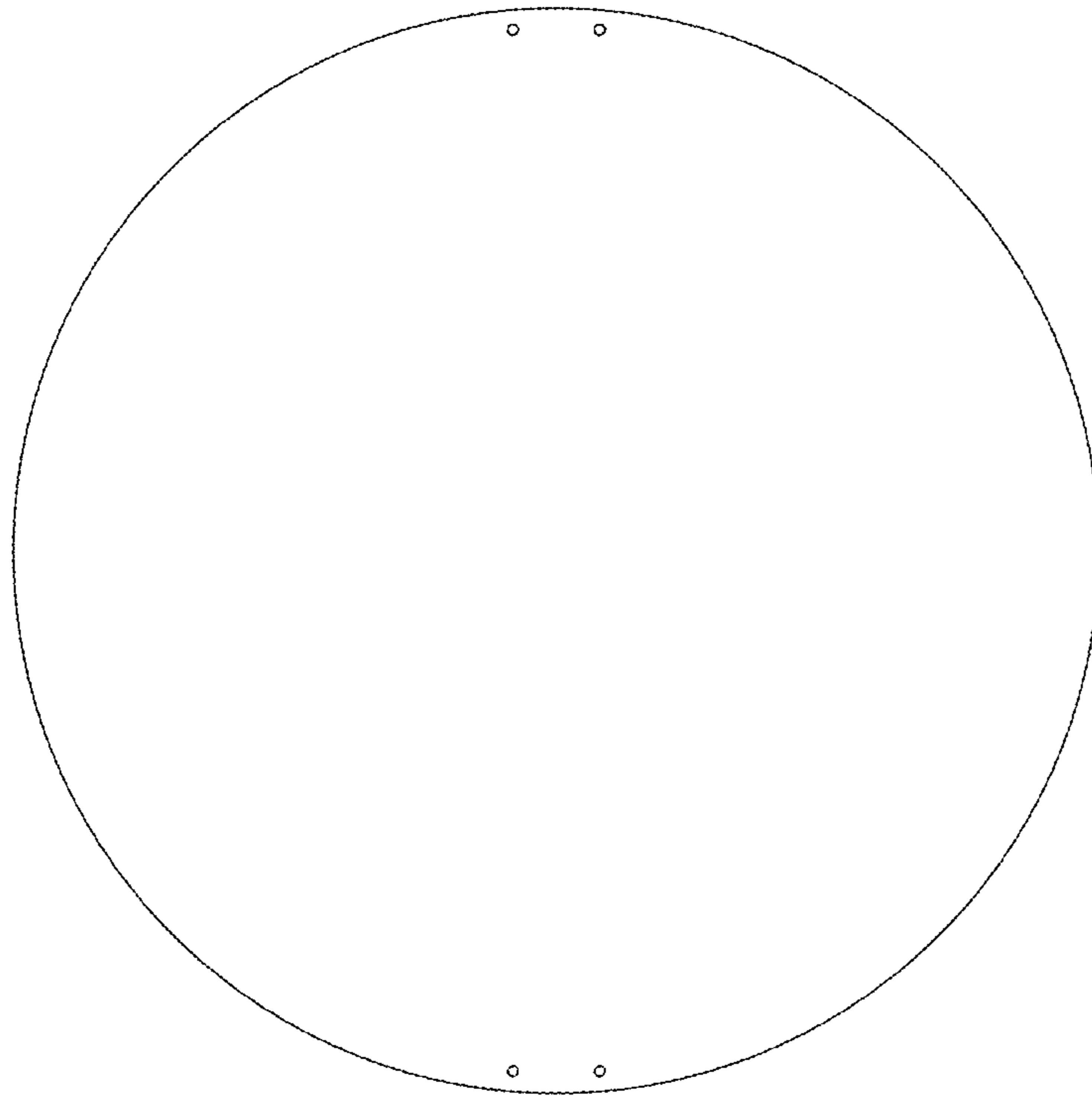


FIG. 2



FIG. 3

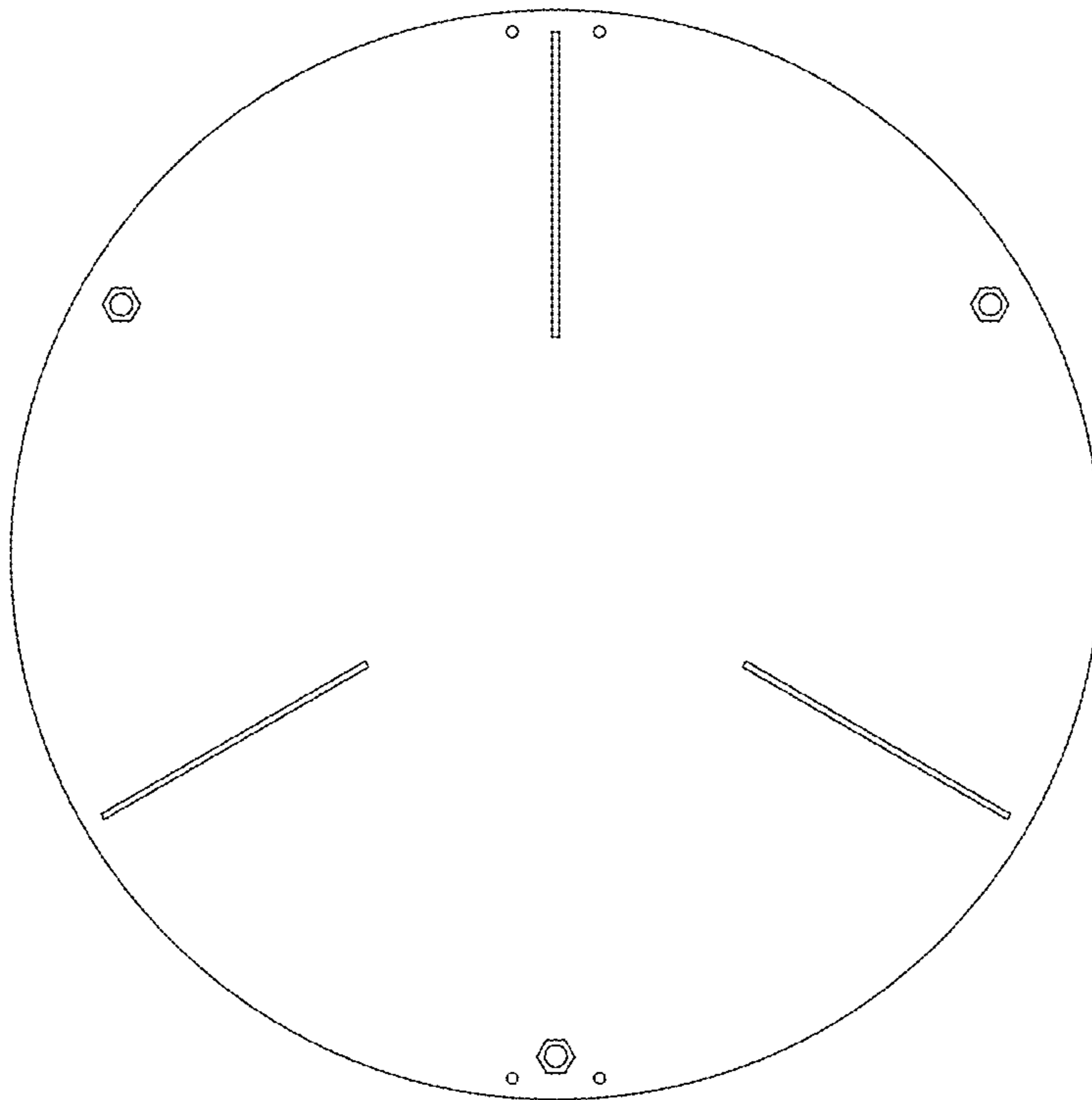


FIG. 4