



US00D737627S

(12) **United States Design Patent**  
**Goldenstein et al.**

(10) **Patent No.:** **US D737,627 S**  
(45) **Date of Patent:** **\*\* Sep. 1, 2015**

- (54) **CONVERTIBLE GRILL SMOKER**
- (71) Applicant: **West of Memphis BBQ**, Apache Junction, AZ (US)
- (72) Inventors: **Steven J. Goldenstein**, Mesa, AZ (US); **Don Matthews**, Mesa, AZ (US)
- (73) Assignee: **West of Memphis BBQ**, Apache Junction, AZ (US)
- (\*\*) Term: **14 Years**
- (21) Appl. No.: **29/477,189**
- (22) Filed: **Dec. 19, 2013**
- (51) **LOC (10) Cl.** ..... **07-02**
- (52) **U.S. Cl.**  
USPC ..... **D7/402**
- (58) **Field of Classification Search**  
USPC ..... D7/332, 334-337, 402-406; 126/25 R, 126/25 A, 25 AA, 37 R, 41 R, 41 A, 40, 39 M, 126/50, 214 D, 289, 285 R, 505, 506, 276, 126/312, 29-30, 154, 337 A, 83, 275 R, 9 R, 126/39 E, 39 K, 39 J, 39 N, 41 B, 42; D8/380-381, 373, 354; 248/354.6, 248/354.4, 354.5, 354.1, 207, 213.2, 248/220.21, 309.1, 311.2, 316.1, 243, 247; 99/393, 402; D21/541, 549, 550, 548; D34/16  
CPC ..... A47J 37/07-37/079; A47J 2037/0777  
See application file for complete search history.

5,536,518 A *	7/1996	Rummel	.....	426/523
D412,425 S *	8/1999	Pai	.....	D7/334
D433,279 S *	11/2000	Schlosser et al.	.....	D7/402
6,606,986 B2 *	8/2003	Holland et al.	.....	126/25 R
D479,092 S *	9/2003	Lewis et al.	.....	D7/332
D535,137 S *	1/2007	Mashburn	.....	D7/332
D623,466 S *	9/2010	Camerin et al.	.....	D7/334
D646,121 S *	10/2011	Pickard	.....	D7/402
8,381,712 B1 *	2/2013	Simms, II	.....	126/25 R

\* cited by examiner

*Primary Examiner* — Ruth McInroy

(74) *Attorney, Agent, or Firm* — Heisler & Associate

(57) **CLAIM**

The ornamental design for a convertible grill smoker, as shown and described.

**DESCRIPTION**

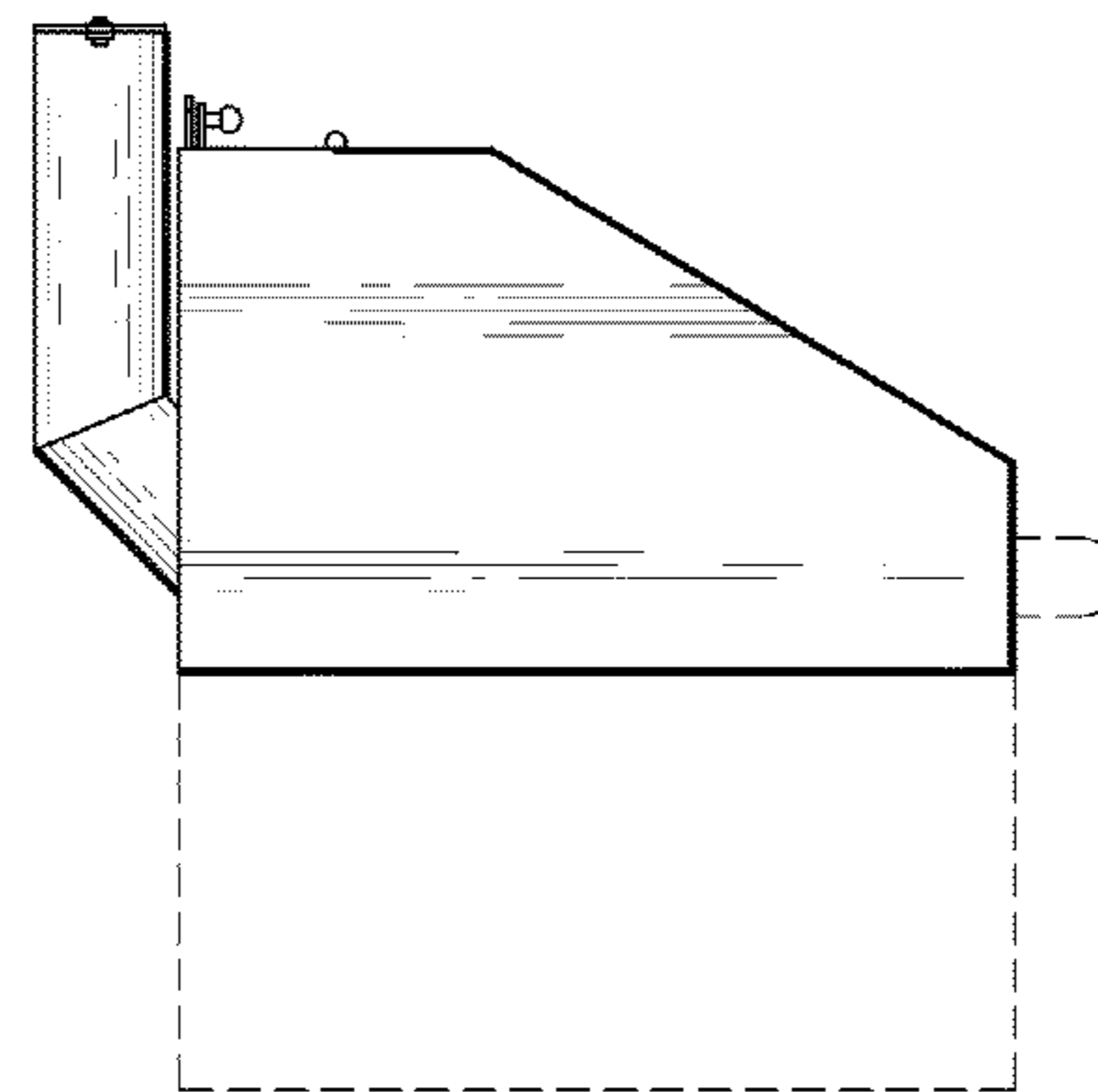
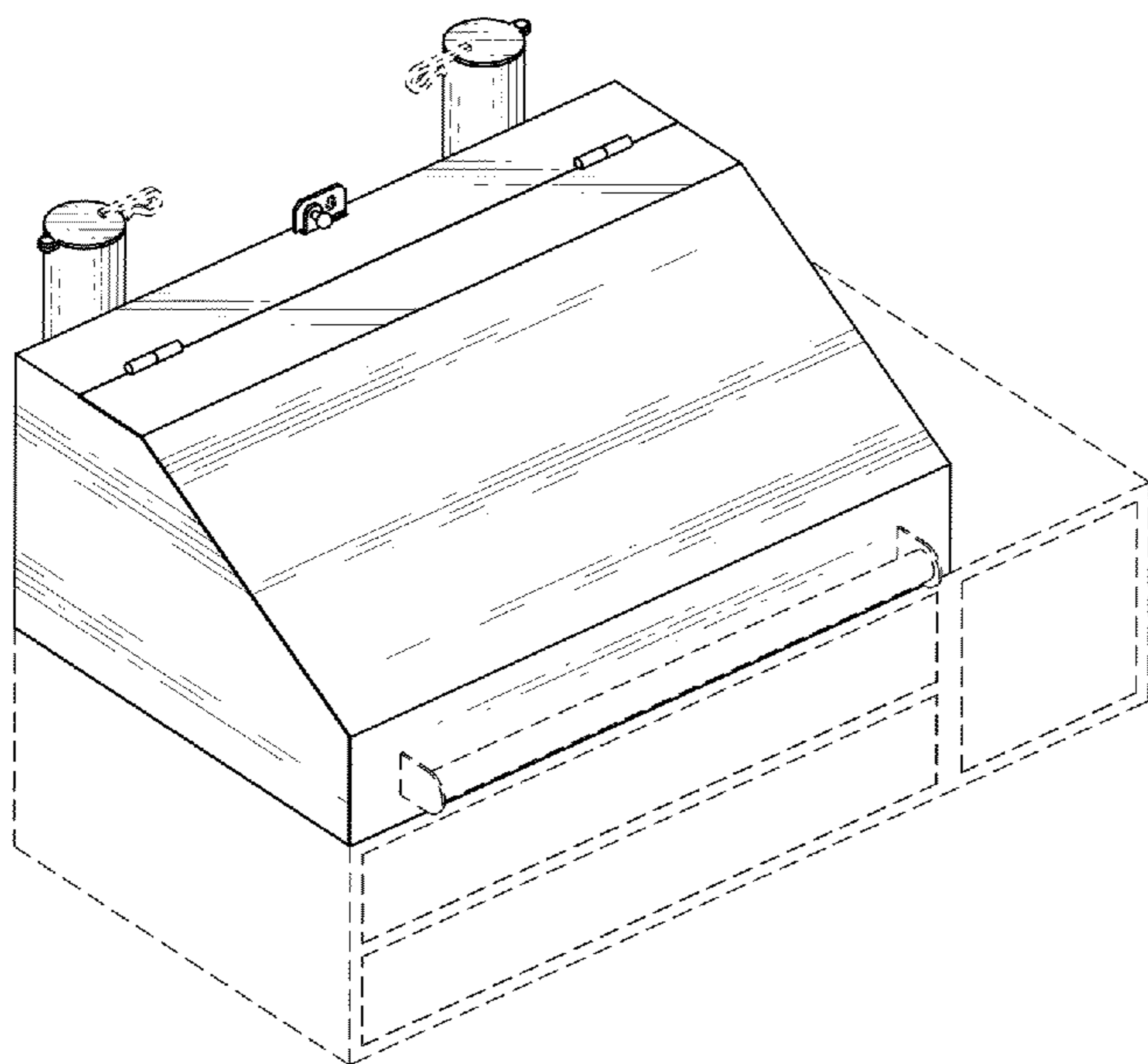
FIG. 1 is a perspective view of a convertible grill smoker showing our new design;  
 FIG. 2 is a left side view thereof, the right side being a mirror image;  
 FIG. 3 is a front elevation view thereof;  
 FIG. 4 is a top plan view thereof;  
 FIG. 5 is a rear elevation view thereof;  
 FIG. 6 is a bottom plan view thereof; and,  
 FIG. 7 is an enlarged view of a detail in FIG. 3.  
 The broken lines in FIGS. 1-7 are for purposes of illustration only and form no part of the claimed design.

**1 Claim, 2 Drawing Sheets**

(56) **References Cited**

**U.S. PATENT DOCUMENTS**

4,840,118 A *	6/1989	Rinehart	.....	99/446
5,404,801 A *	4/1995	Holland	.....	99/482



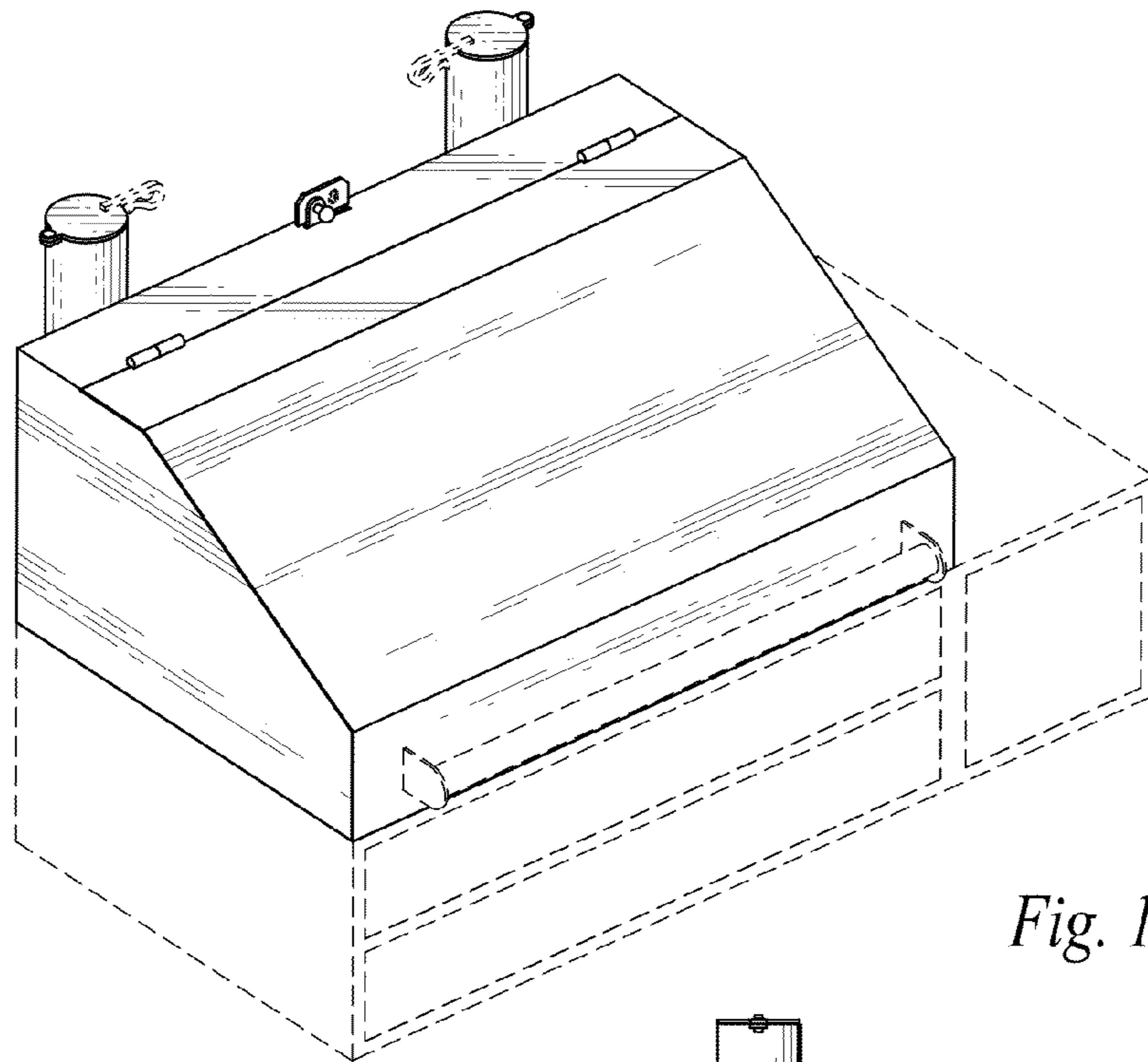


Fig. 1

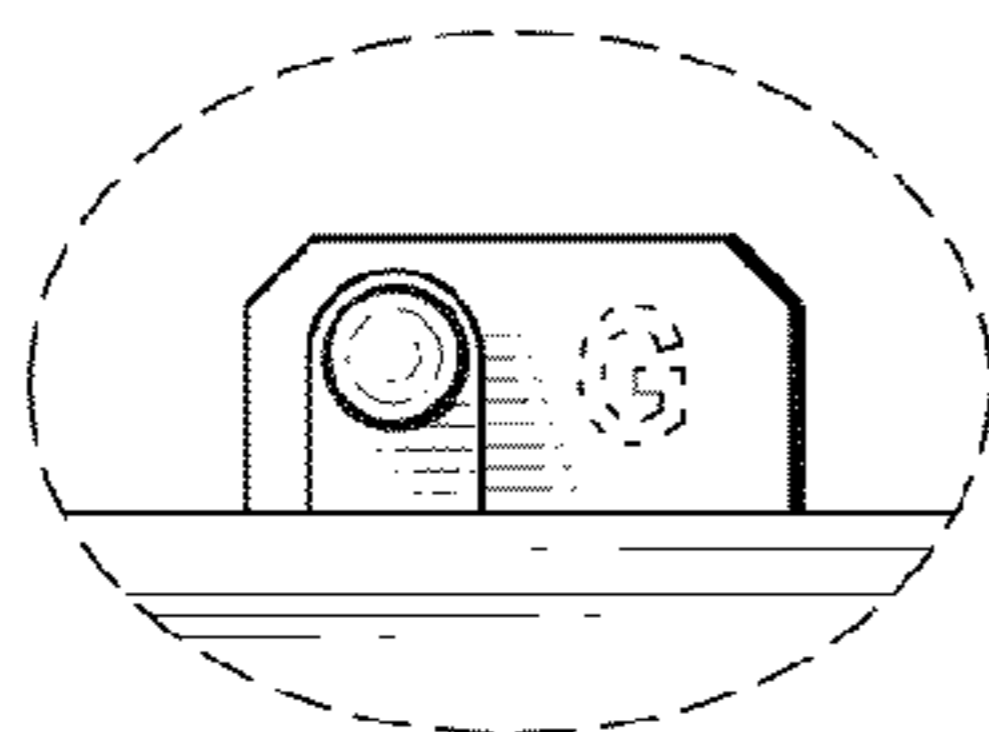


Fig. 7

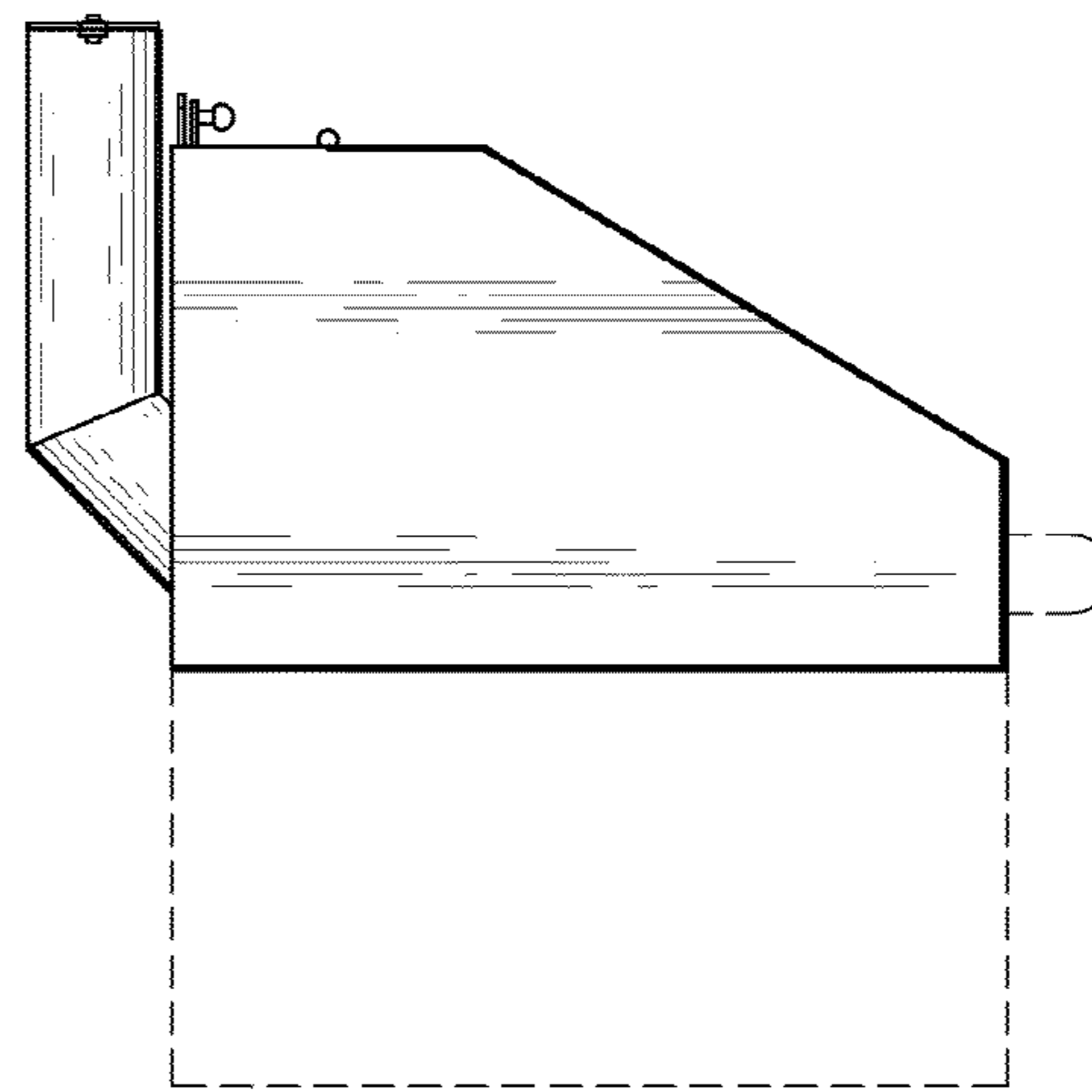


Fig. 2

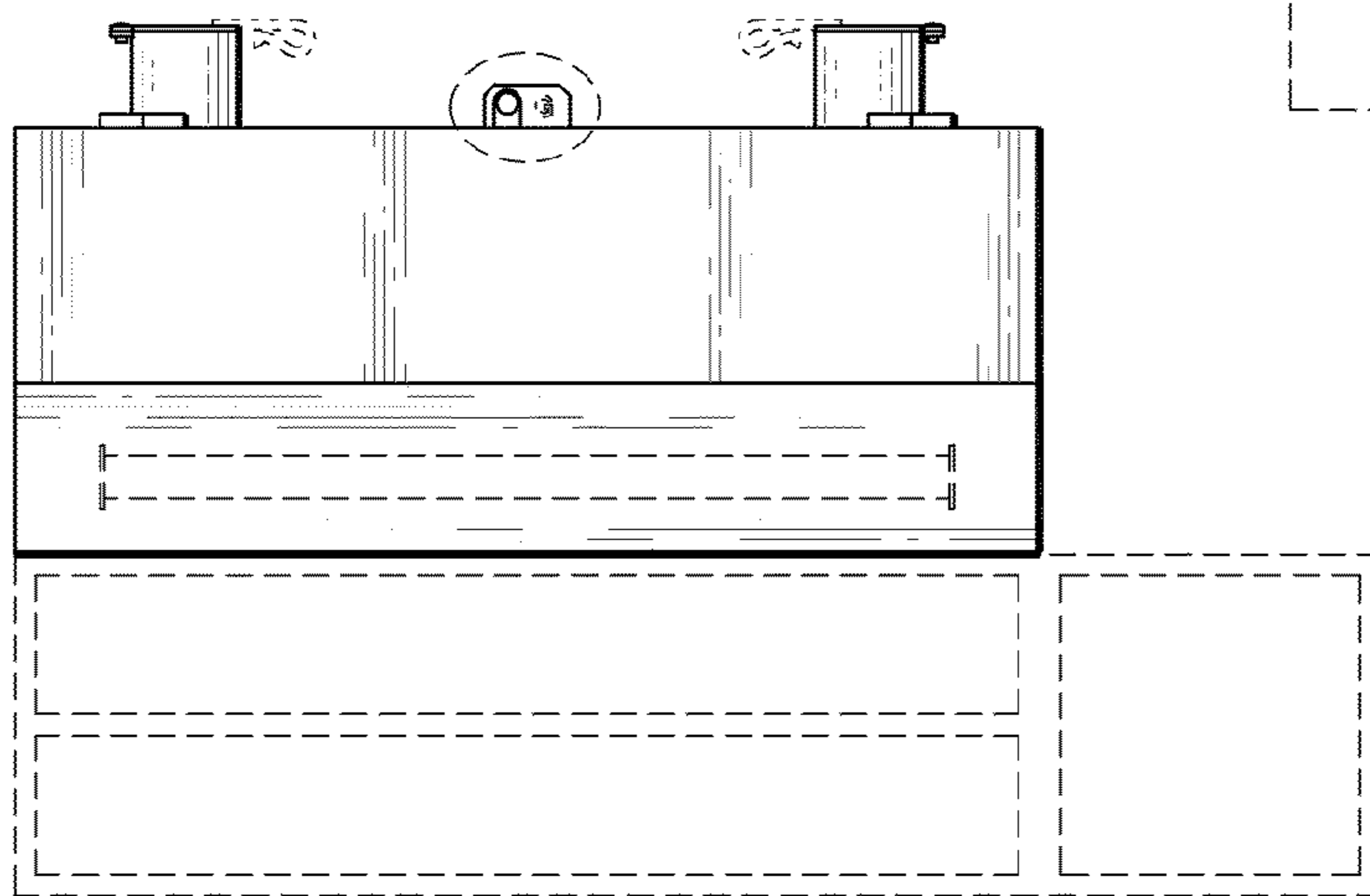


Fig. 3

Fig. 4

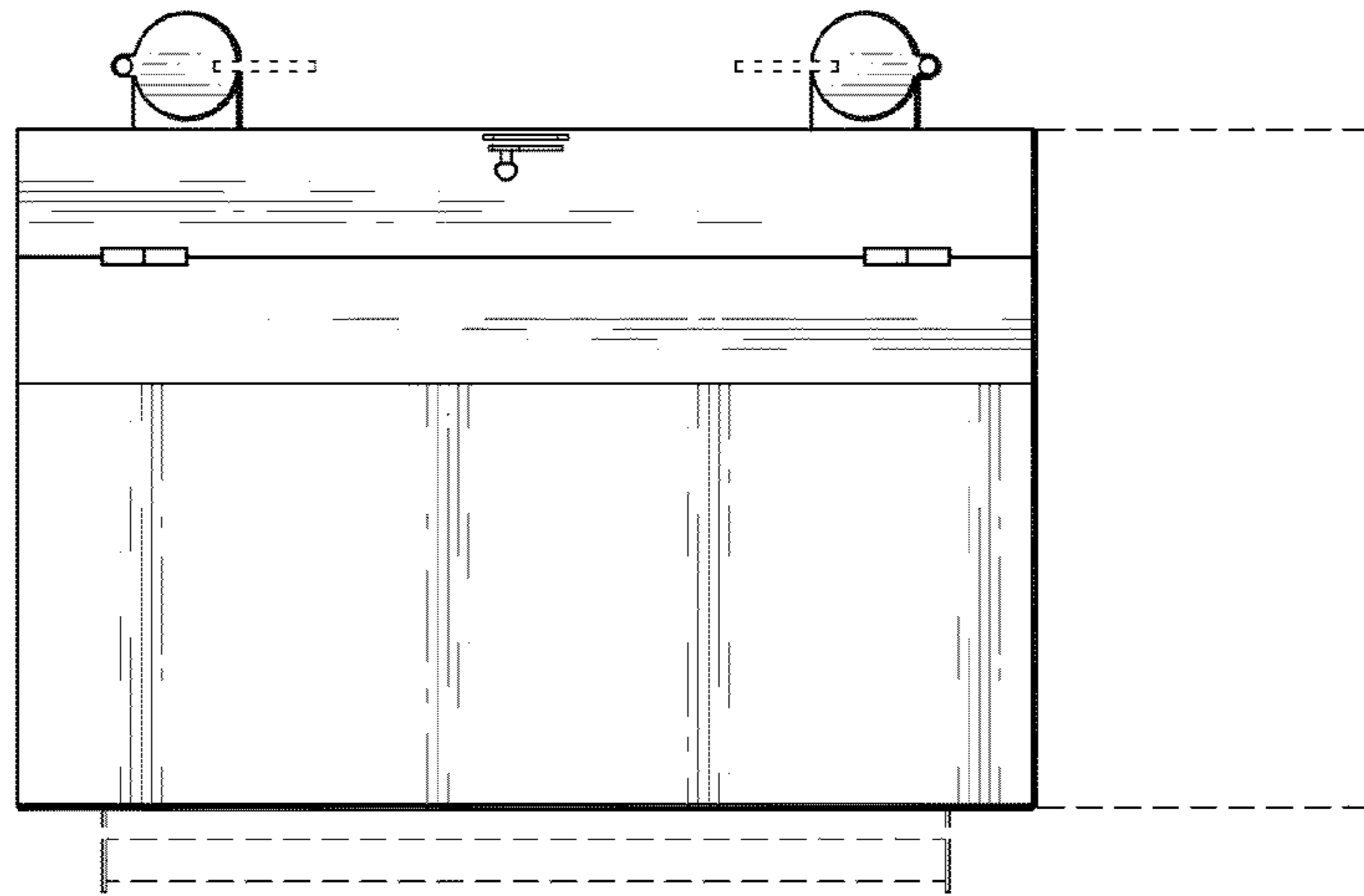


Fig. 5

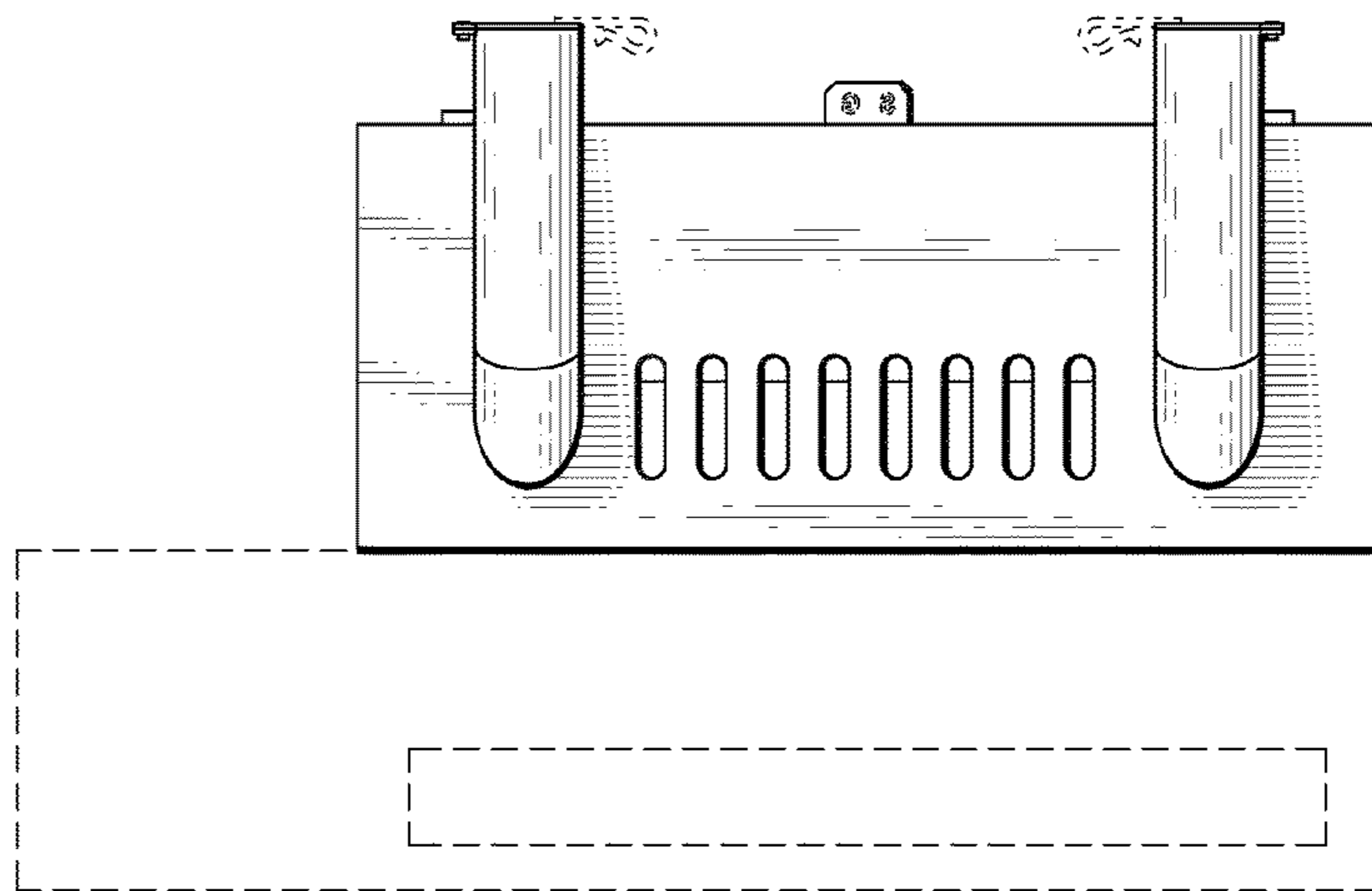


Fig. 6

