



US00D737626S

(12) **United States Design Patent**
Lu

(10) **Patent No.:** **US D737,626 S**
(45) **Date of Patent:** **** Sep. 1, 2015**

(54) **HANDLE FOR BARBECUE UTENSILS**

(75) Inventor: **James Lu**, Alpharetta, GA (US)

(73) Assignee: **International Business Corporation**,
Alpharetta, GA (US)

(**) Term: **14 Years**

(21) Appl. No.: **29/308,673**

(22) Filed: **Jul. 1, 2008**

(51) **LOC (10) Cl.** **07-02**

(52) **U.S. Cl.**
USPC **D7/395**

(58) **Field of Classification Search**
USPC D4/131-136, 138; D7/653, 664, 688,
D7/691, 393, 395, 401.2; D8/80, 83, 107,
D8/DIG. 4, DIG. 7, DIG. 8; 15/143.1, 166,
15/168, 191.1-193; 16/110.1, 430;
30/322, 324, 340, 342, 343; 76/105,
76/106; 294/7, 8
CPC A47J 43/18; A47J 43/28; A47J 43/283;
A47J 43/288; B25G 1/00; B25G 1/10; B25G
1/102
See application file for complete search history.

(56) **References Cited**

U.S. PATENT DOCUMENTS

D431,723 S * 10/2000 Kim D4/138
D431,960 S * 10/2000 Hay D7/401.2
D459,149 S * 6/2002 Richied et al. D7/395

D459,943 S * 7/2002 Richied et al. D7/395
D496,218 S * 9/2004 Sano D7/395
D504,235 S * 4/2005 Kuo et al. D4/133
D504,797 S * 5/2005 Lu D7/395

OTHER PUBLICATIONS

DE 49906799-0001 Registered Design, (Yung Kai Law) Jan. 25,
2000, [online], [retrieved on Aug. 10, 2013]. Retrieved from the
Designs Register of the German Patent and Trade Mark Office using
the Internet: <URL: <http://register.dmpa.de>>.*

* cited by examiner

Primary Examiner — Melanie H Tung

Assistant Examiner — Lavone D Tabor

(74) *Attorney, Agent, or Firm* — Rodgers & Rodgers

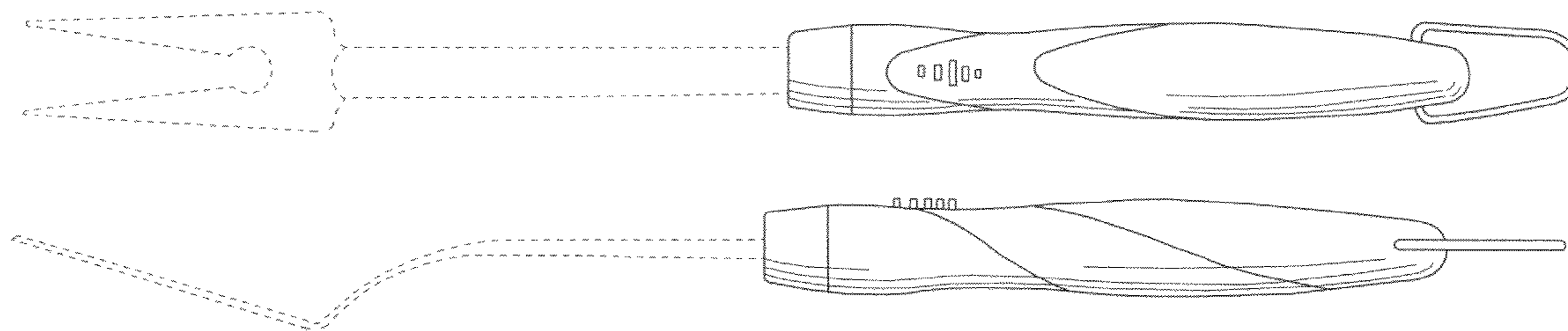
(57) **CLAIM**

The ornamental design for a handle for barbecue utensils, as
shown and described.

DESCRIPTION

FIG. 1 is a perspective view of a handle for barbeque utensils
showing my new design;
FIG. 2 is a top plan view thereof;
FIG. 3 is a bottom plan view thereof;
FIG. 4 is a front elevational view thereof, the rear being a
mirror image thereof;
FIG. 5 is a left-side elevational view thereof; and,
FIG. 6 is a right-side elevational view thereof.
The broken lines showing a fork illustrate environmental
structure that forms no part of the claimed design.

1 Claim, 2 Drawing Sheets



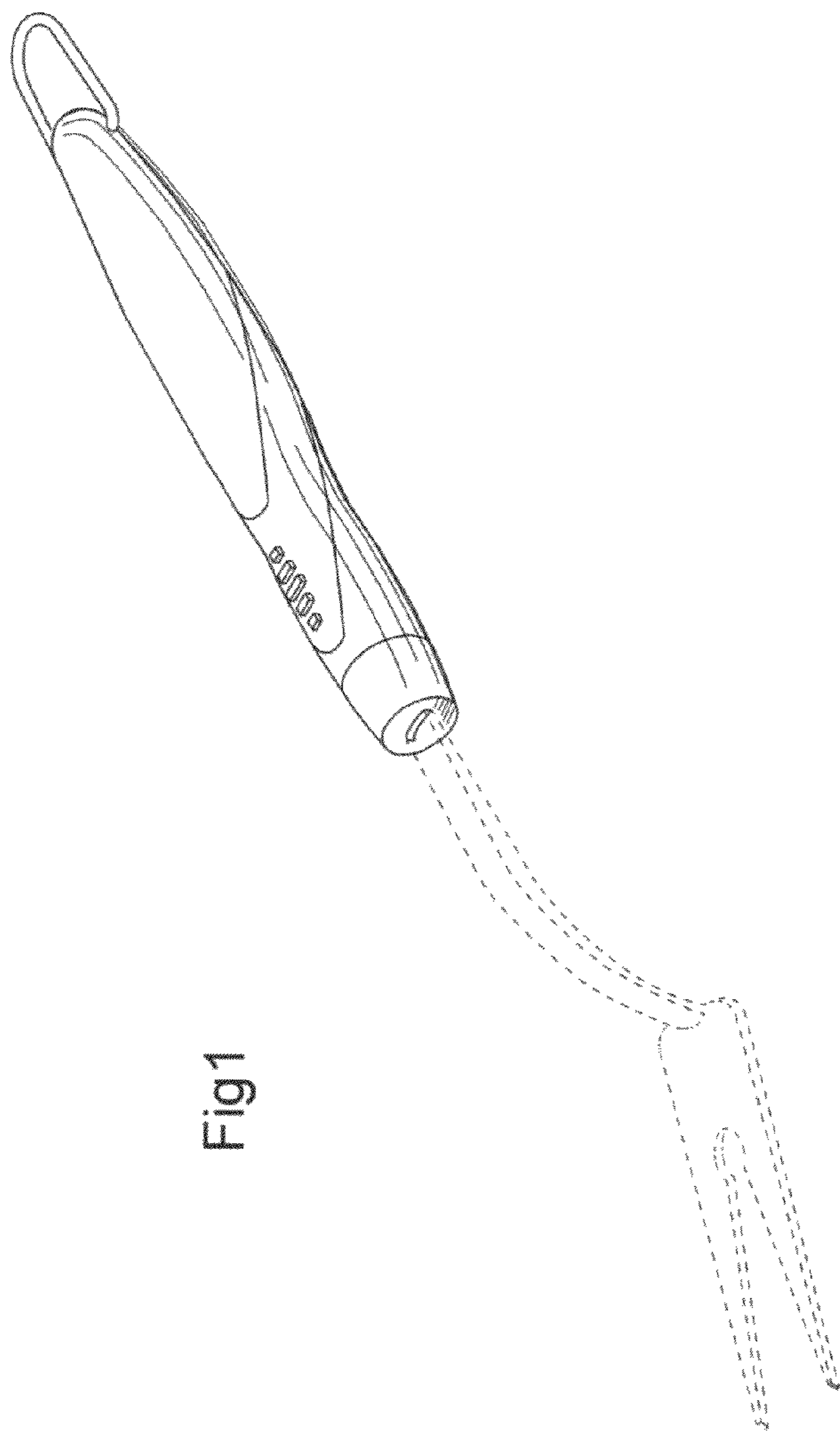


Fig 2

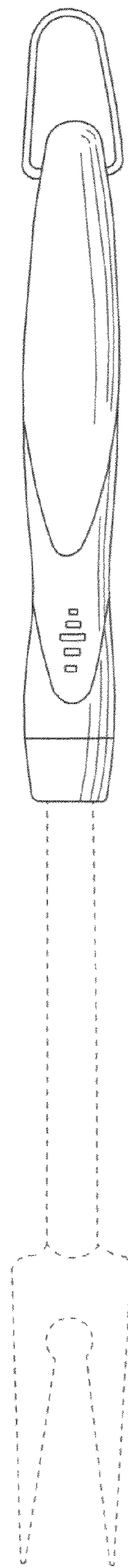


Fig 3

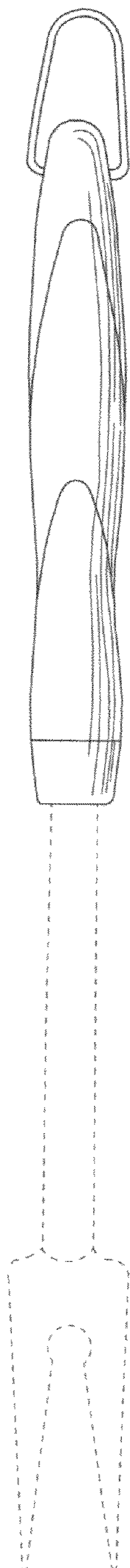


Fig 4

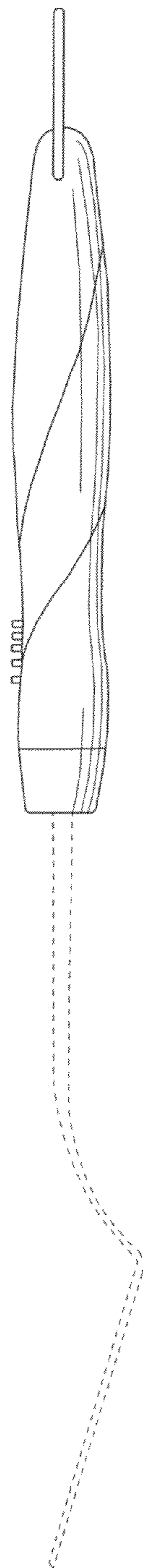


Fig 5

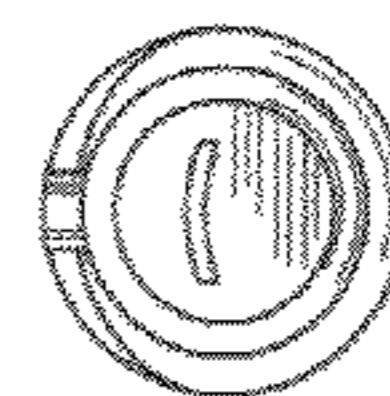


Fig 6

