



US00D737623S

(12) **United States Design Patent**
Hu et al.

(10) **Patent No.:** **US D737,623 S**
(45) **Date of Patent:** **** Sep. 1, 2015**

(54) **MICROWAVE OVEN**

(71) Applicant: **Guangdong Galanz Microwave Oven and Electrical Appliances Manufacturing Co., Ltd.**, Foshan, Guangdong (CN)

(72) Inventors: **Jiaheng Hu**, Foshan (CN); **Feng Li**, Foshan (CN)

(73) Assignee: **Guangdong Galanz Microwave Oven and Electrical Appliances Manufacturing Co., Ltd.**, Foshan (CN)

(**) Term: **14 Years**

(21) Appl. No.: **29/457,480**

(22) Filed: **Jun. 10, 2013**

(30) **Foreign Application Priority Data**

Dec. 10, 2012 (CN) 2012 3 0614013

(51) **LOC (10) CI.** **07-02**

(52) **U.S. CI.**
USPC **D7/351**

(58) **Field of Classification Search**
USPC D7/350.1, 351, 402-406
CPC ... A47J 37/0611; H05B 6/6426; H05B 6/642;
H05B 6/6444

See application file for complete search history.

(56) **References Cited**

U.S. PATENT DOCUMENTS

D216,847 S * 3/1970 Brynge D7/351
D300,108 S * 3/1989 Iwahashi D7/351
D303,606 S * 9/1989 Hatanaka D7/351
D425,359 S * 5/2000 Seiz D7/351

D456,666 S * 5/2002 Monguilod D7/351
D457,378 S * 5/2002 Wang et al. D7/351
D487,666 S * 3/2004 Monguilod D7/351
D523,282 S * 6/2006 Yoon D7/351
D671,354 S * 11/2012 Ou et al. D7/351

OTHER PUBLICATIONS

“Redesigned microwave is an adorable simplified appliance”, Retrieved from internet on May 5, 2015. Retrieved from: “http://gajitz.com/redesigned-microwave-is-an-adorable-simplified-appliance/”.*

“Circular microwave oven with remote control and luminous shell”. Retrieved from internet on May 5, 2015. Retrieved from “http://www.hometone.org/664/2012/06/27/circular-microwave-oven-with-remote-control-and-luminous-shell/”.*

* cited by examiner

Primary Examiner — Ruth McInroy

(74) *Attorney, Agent, or Firm* — Christensen O’Connor Johnson Kindness PLLC

(57) **CLAIM**

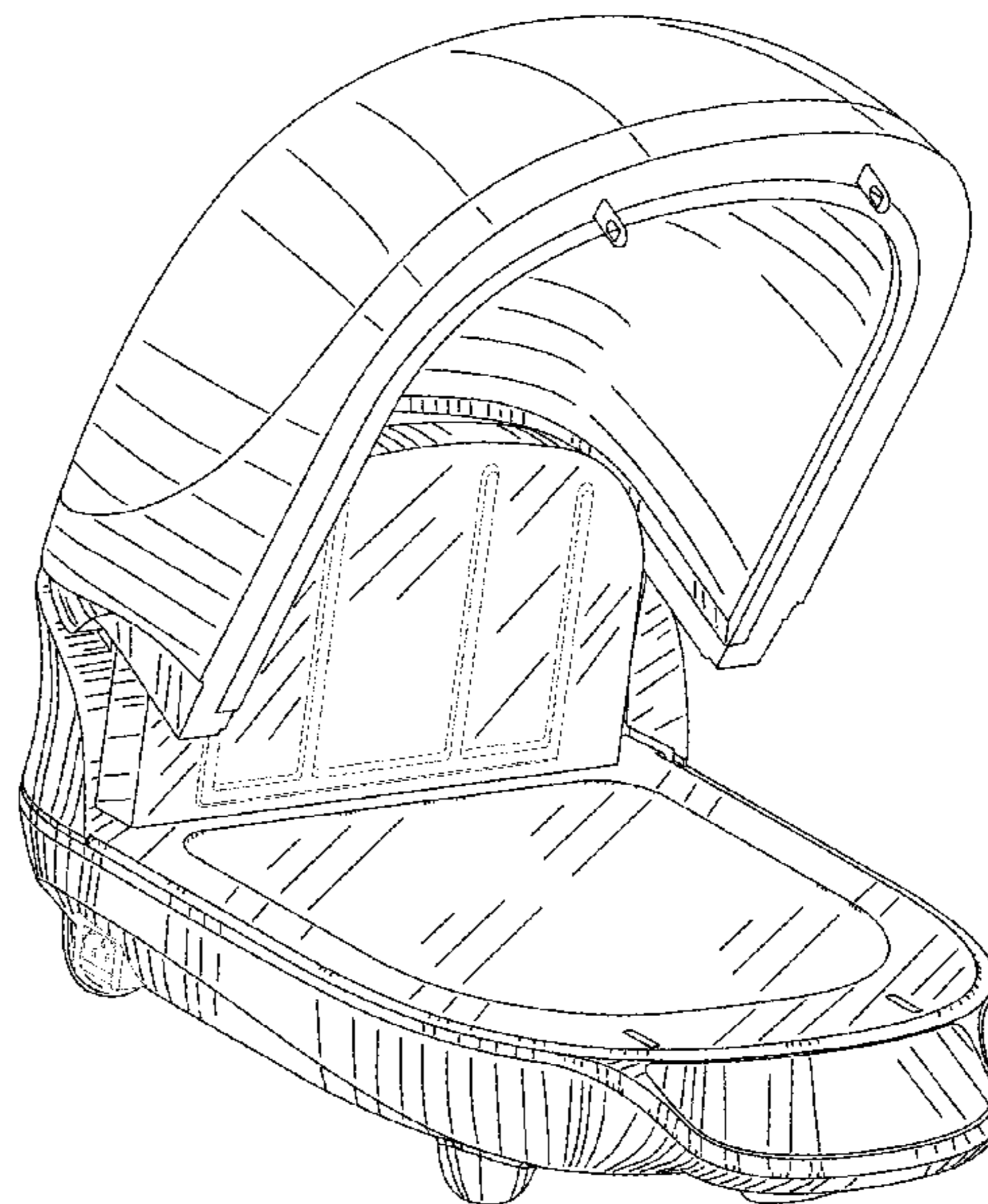
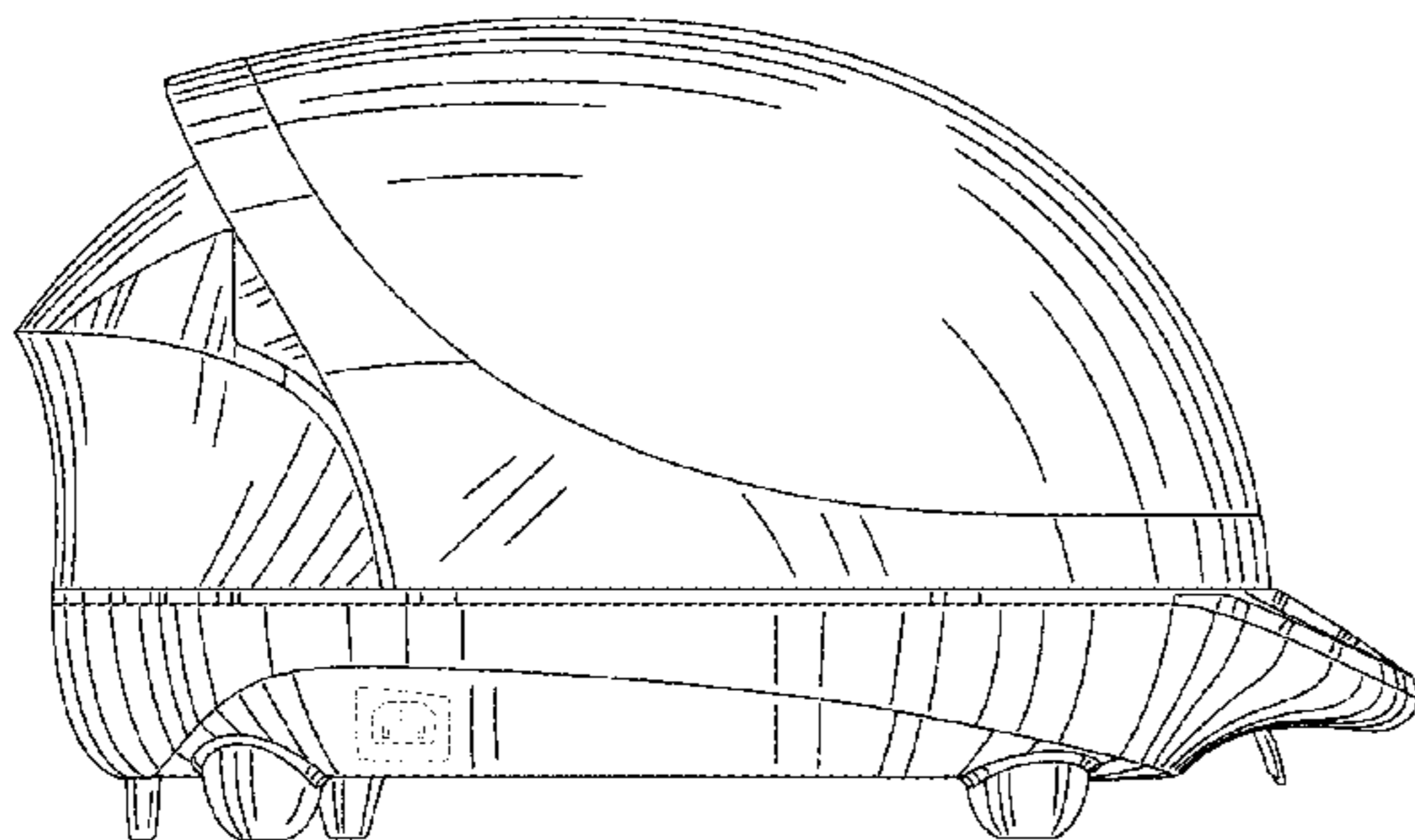
The ornamental design for a microwave oven, as shown and described.

DESCRIPTION

FIG. 1 is a right side elevation view of a microwave oven showing our new design;
FIG. 2 is a left side elevation view thereof;
FIG. 3 is a top plan view thereof;
FIG. 4 is a rear elevation view thereof;
FIG. 5 is a bottom plan view thereof; and,
FIG. 6 is a front left perspective view thereof, with the lid in an open position.

The broken lines shown in FIGS. 2, 4, 5, and 6 illustrate environmental subject matter and form no part of the claimed design.

1 Claim, 6 Drawing Sheets



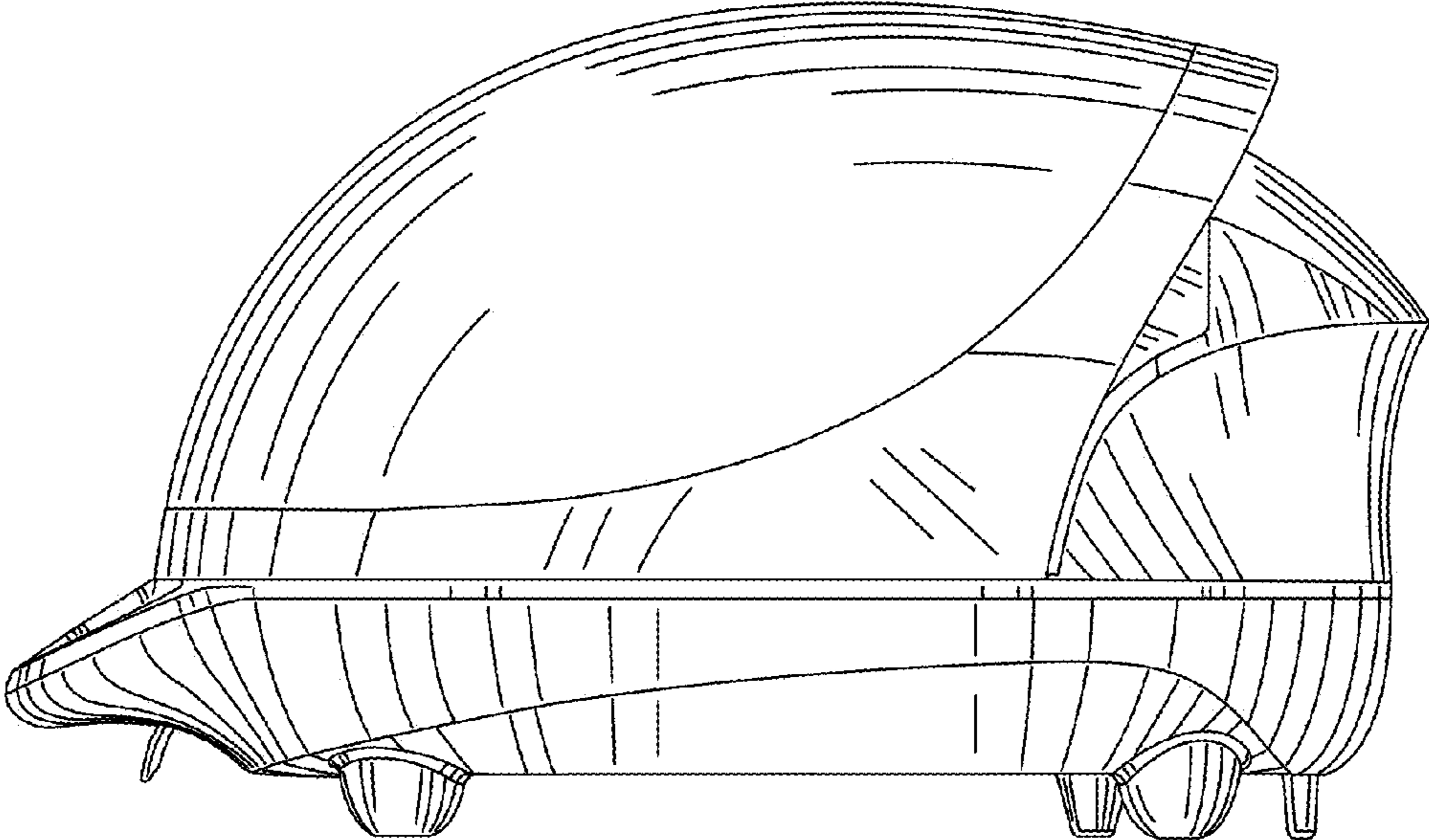


FIG. 1

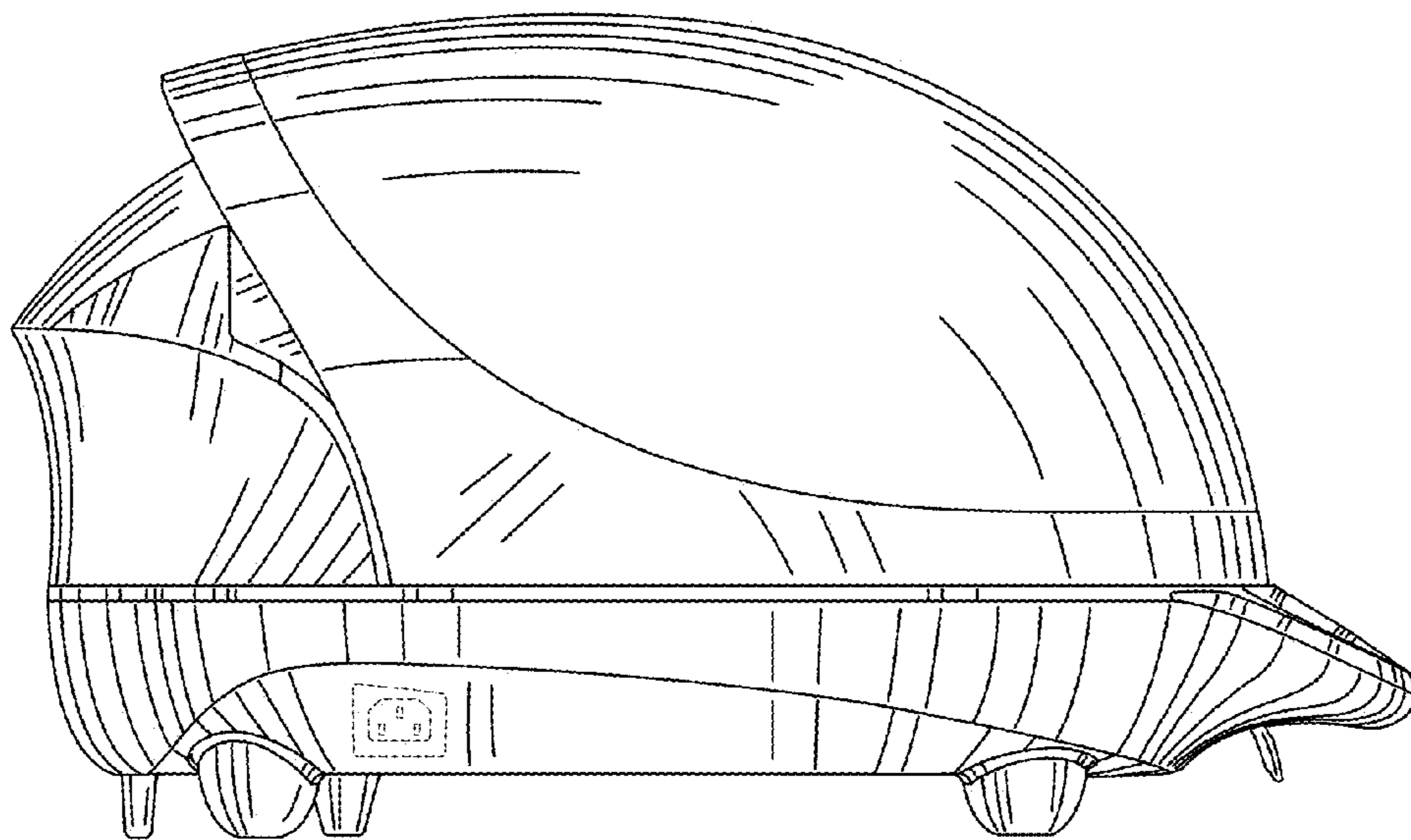


FIG. 2

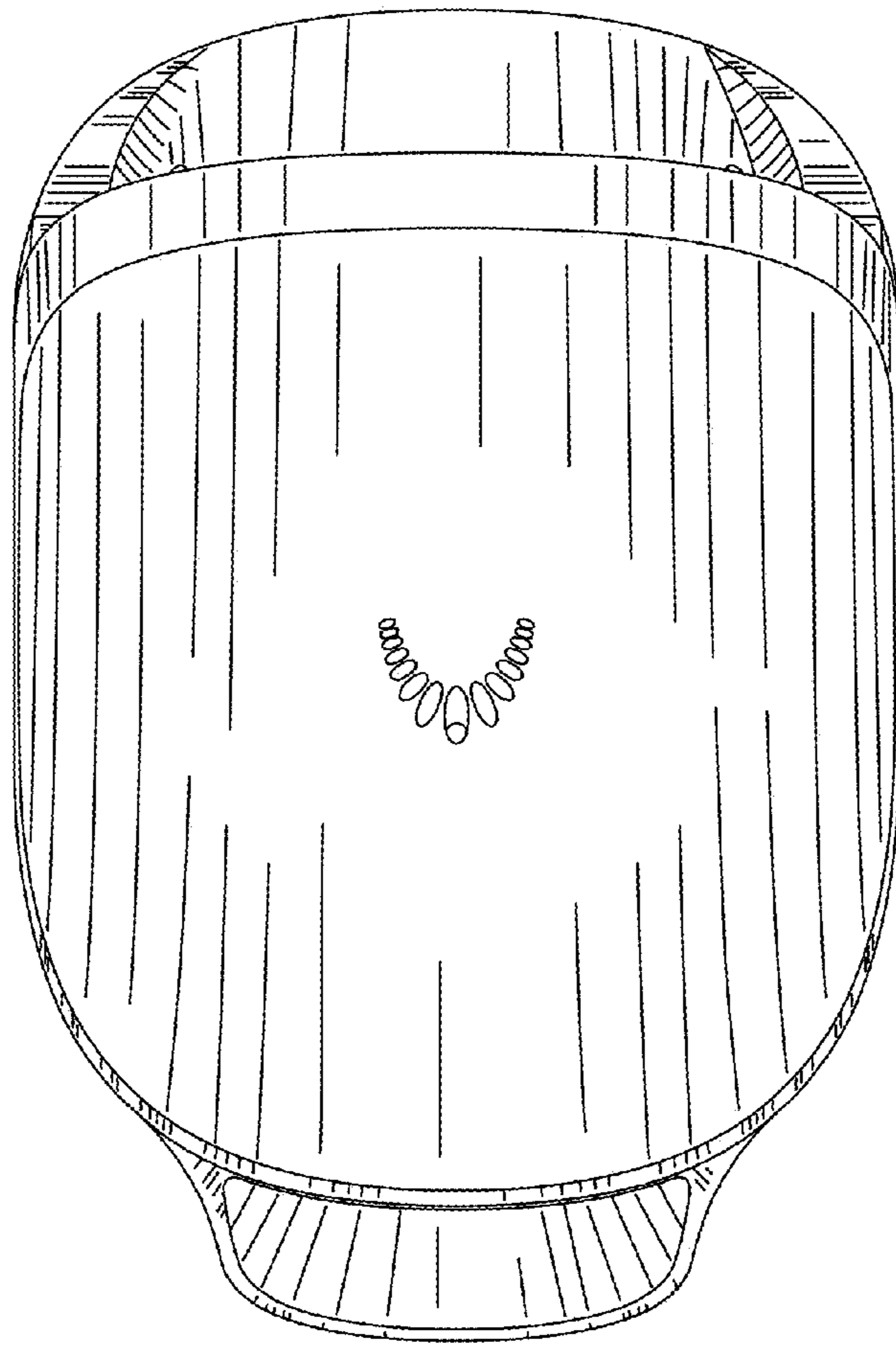


FIG. 3

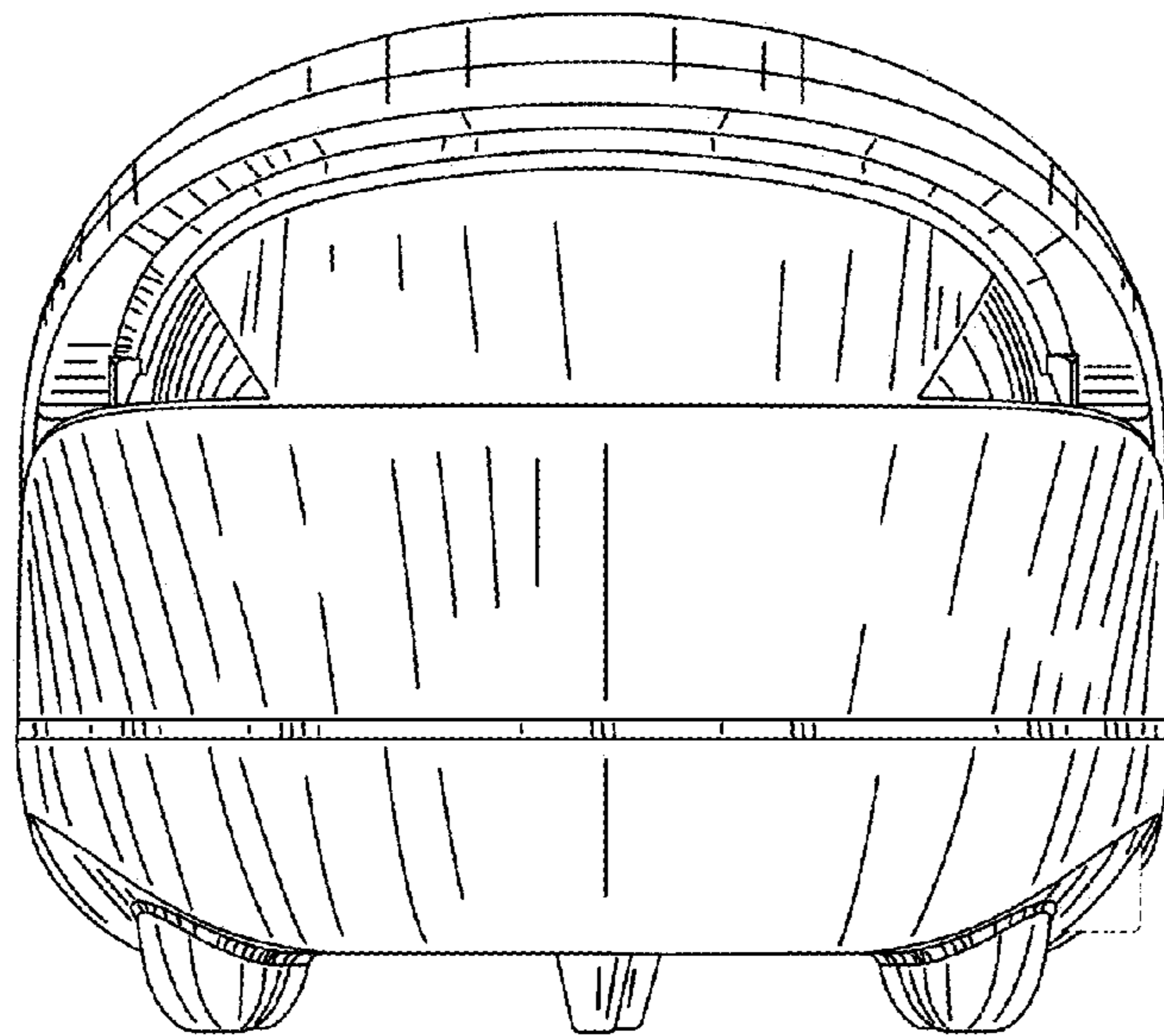


FIG. 4

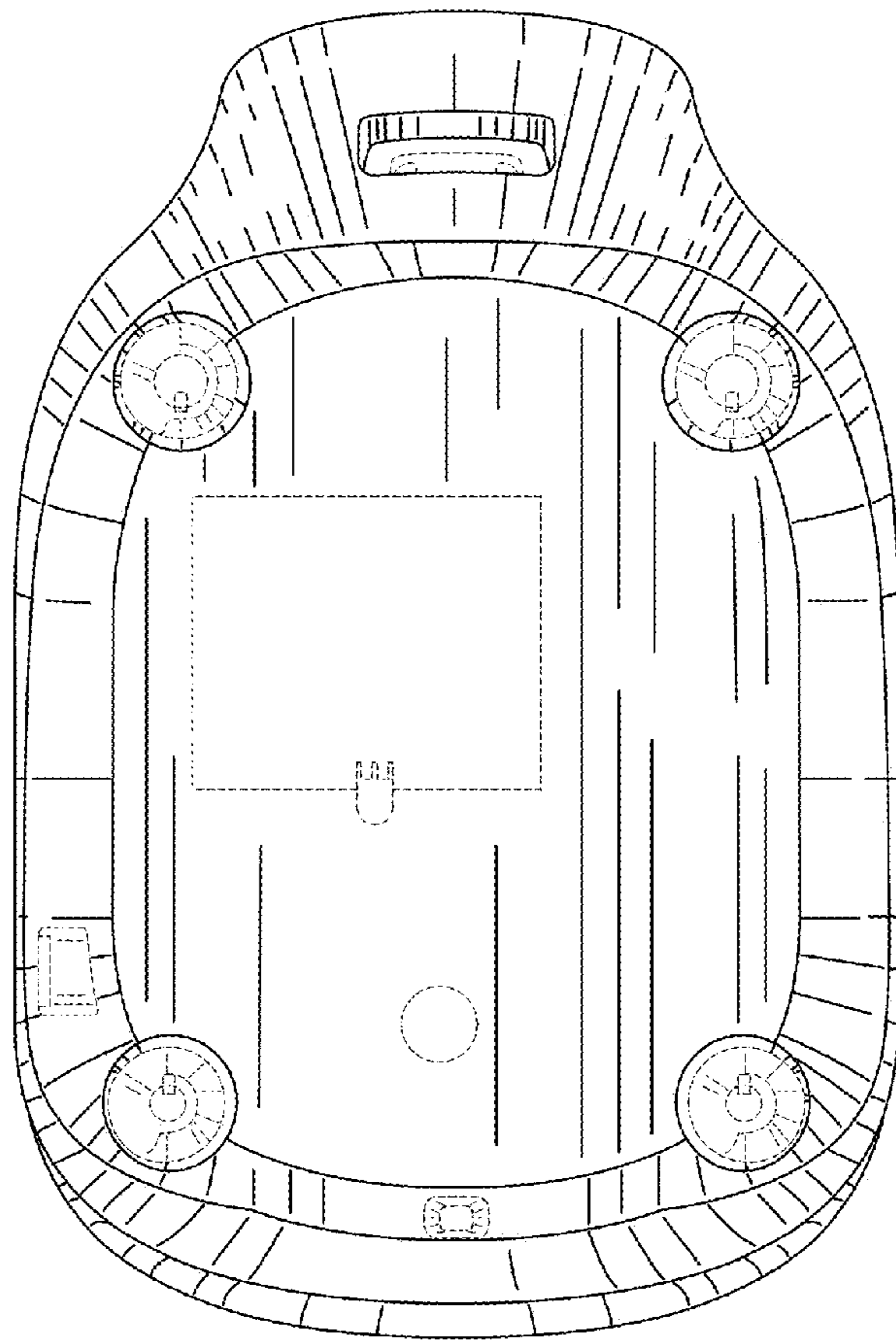


FIG. 5

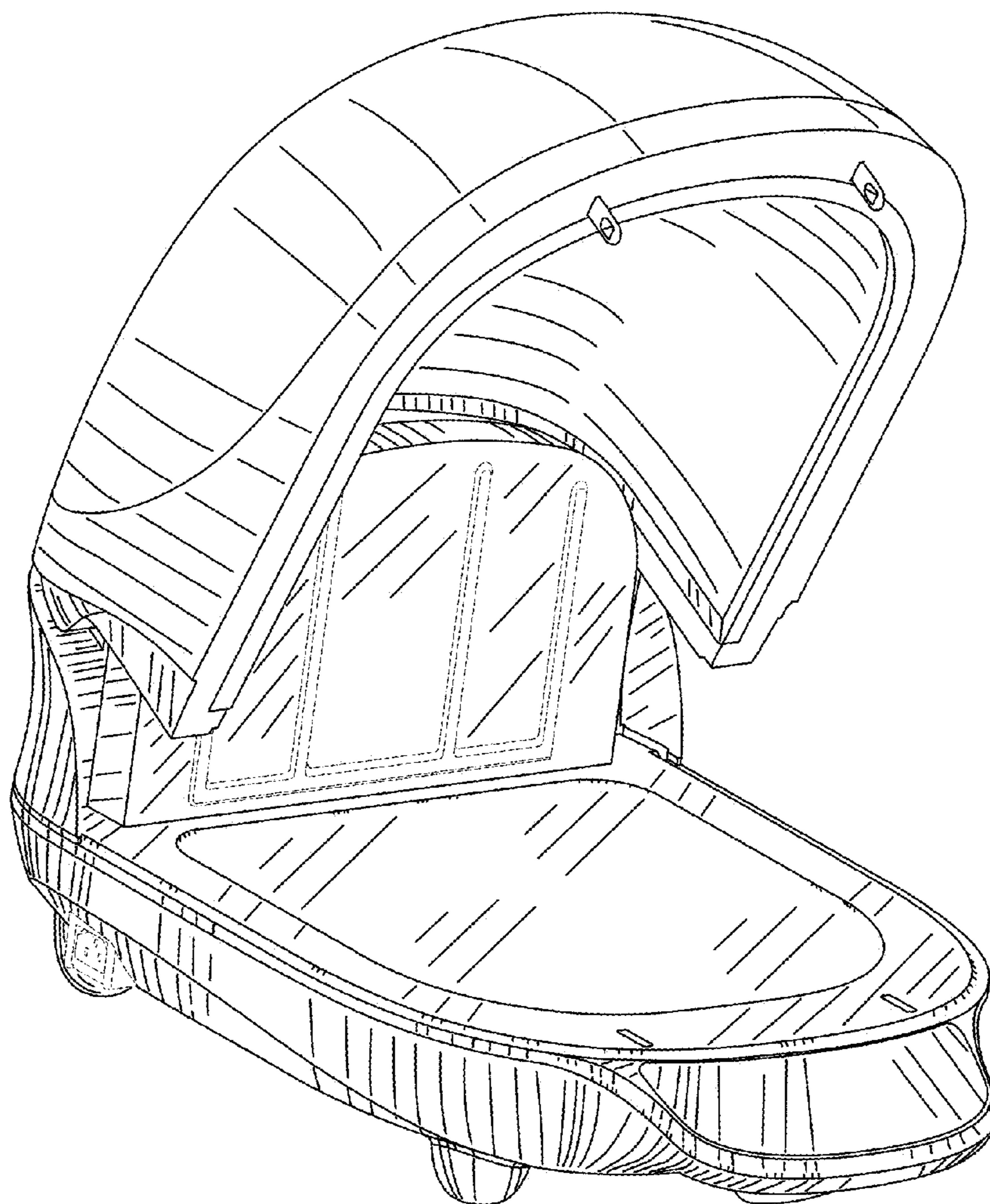


FIG. 6