



US00D737621S

(12) **United States Design Patent**
Miller et al.

(10) **Patent No.:** **US D737,621 S**
(45) **Date of Patent:** **** Sep. 1, 2015**

(54) **TOASTER**

(71) Applicant: **Spectrum Brands, Inc.**, Middleton, WI (US)

(72) Inventors: **Randy Scott Miller**, DeForest, WI (US);
Francisco Javier Barquin, Madison, WI (US)

(73) Assignee: **Spectrum Brands, Inc.**, Middleton, WI (US)

(**) Term: **14 Years**

(21) Appl. No.: **29/483,922**

(22) Filed: **Mar. 4, 2014**

(51) **LOC (10) Cl.** **07-02**

(52) **U.S. Cl.**
USPC **D7/328**

(58) **Field of Classification Search**
USPC D7/323, 328-330, 350.1, 350.4, 390,
D7/405; D23/343
CPC A21B 2/00; A47J 37/00; A47J 37/06;
A47J 37/0611; A47J 37/08; A47J 37/0807;
A47J 37/0814; A47J 37/0835; A47J 37/0842;
A47J 37/085; A47J 37/0864; A47J 37/0878;
A47J 37/0885; A47J 37/0892; F24C 15/10;
F24C 15/102

See application file for complete search history.

(56) **References Cited**

U.S. PATENT DOCUMENTS

D412,637 S * 8/1999 Piret D7/350.4
D461,091 S * 8/2002 Chen D7/350.4
D481,582 S * 11/2003 Seum et al. D7/350.1
D521,799 S * 5/2006 Ledingham et al. D7/350.1

D586,619 S * 2/2009 Pino et al. D7/405
D587,959 S * 3/2009 Hensel D7/350.1
D639,104 S * 6/2011 Duncan et al. D7/350.1
D644,311 S * 8/2011 De' Longhi D23/343
D655,125 S * 3/2012 Turner et al. D7/328
D655,129 S * 3/2012 Gresko D7/350.1
D662,349 S * 6/2012 Ho et al. D7/350.1
D678,711 S * 3/2013 Reiner D7/350.1
D723,323 S * 3/2015 Carlson D7/350.1

* cited by examiner

Primary Examiner — Ricky Pham

(74) *Attorney, Agent, or Firm* — Banner & Witcoff, Ltd.

(57) **CLAIM**

The ornamental design for a toaster, as shown and described.

DESCRIPTION

FIG. 1 is a front perspective view of a toaster showing our new design;

FIG. 2 is a front view thereof;

FIG. 3 is a left side view thereof;

FIG. 4 is a right side view thereof, and

FIG. 5 is a top view thereof;

FIG. 6 is a front perspective view of an alternative embodiment of the toaster of FIGS. 1-5;

FIG. 7 is a front view thereof;

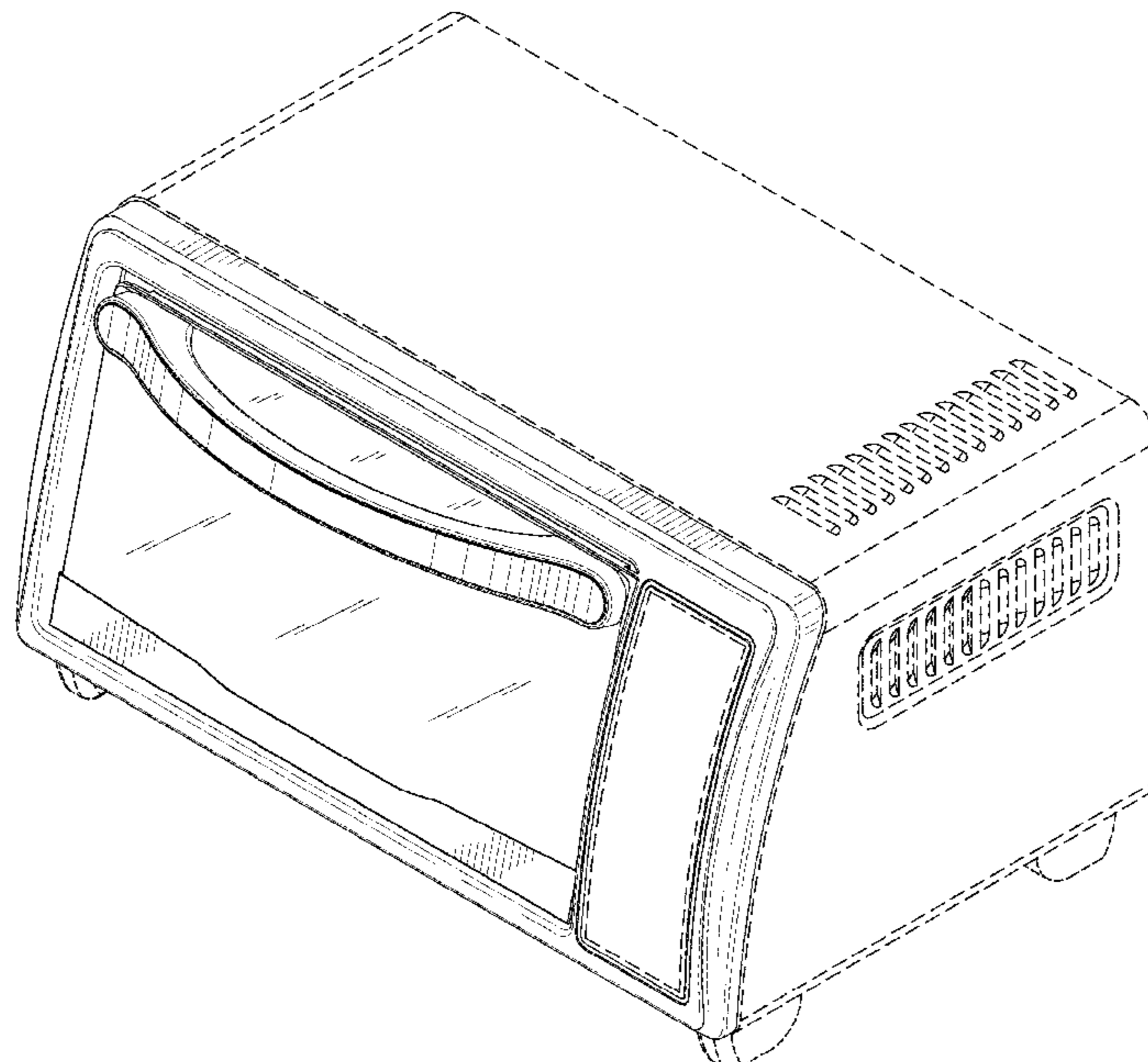
FIG. 8 is a left side view thereof;

FIG. 9 is a right side view thereof; and,

FIG. 10 is a top view thereof.

The broken lines immediately adjacent to the shaded area represent unclaimed boundaries of the design. The broken line showing of the interior of a control panel and the unshaded region therein, and the remainder of the toaster is for environmental purposes only and forms no part of the claimed design.

1 Claim, 10 Drawing Sheets



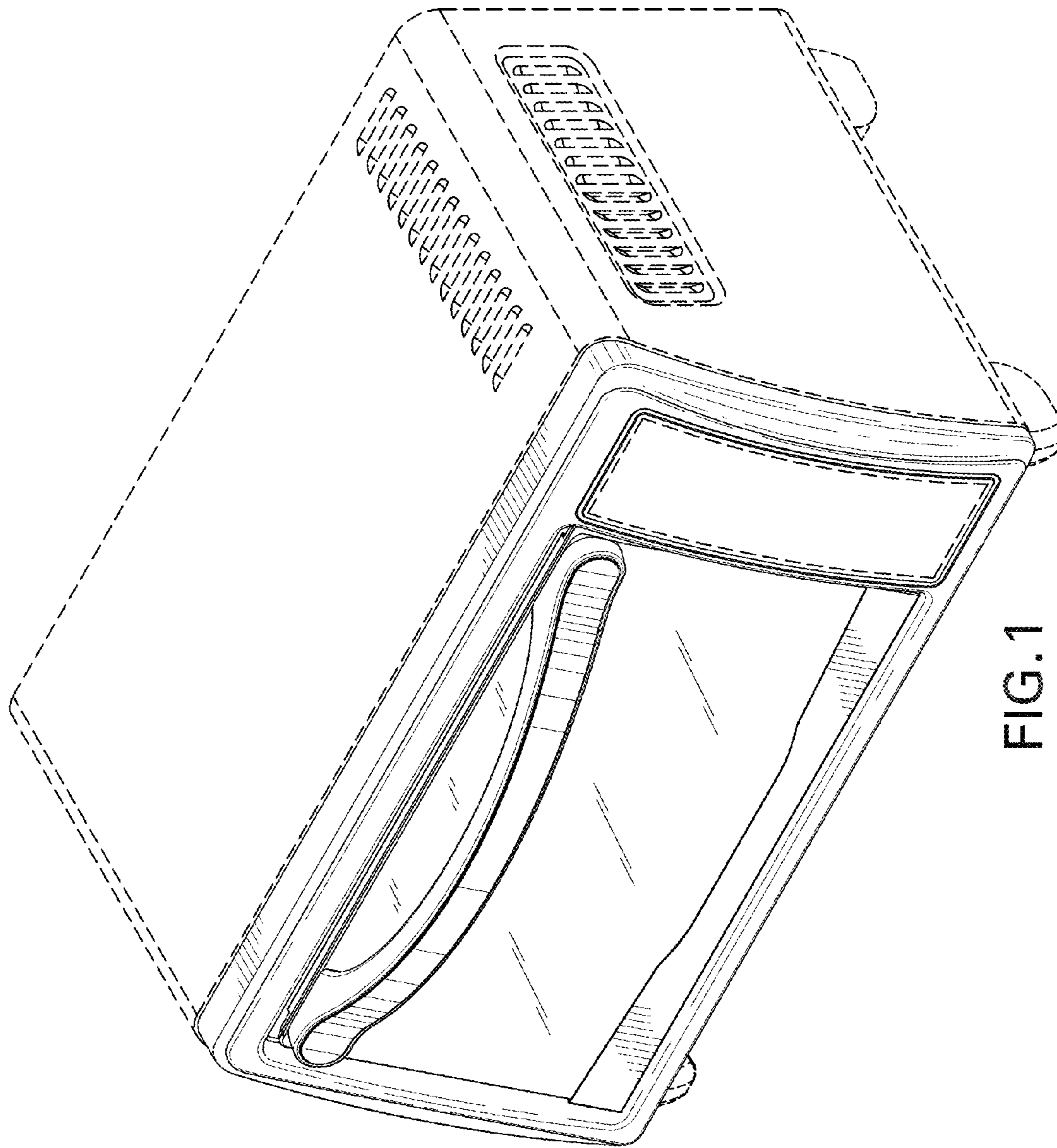


FIG. 1

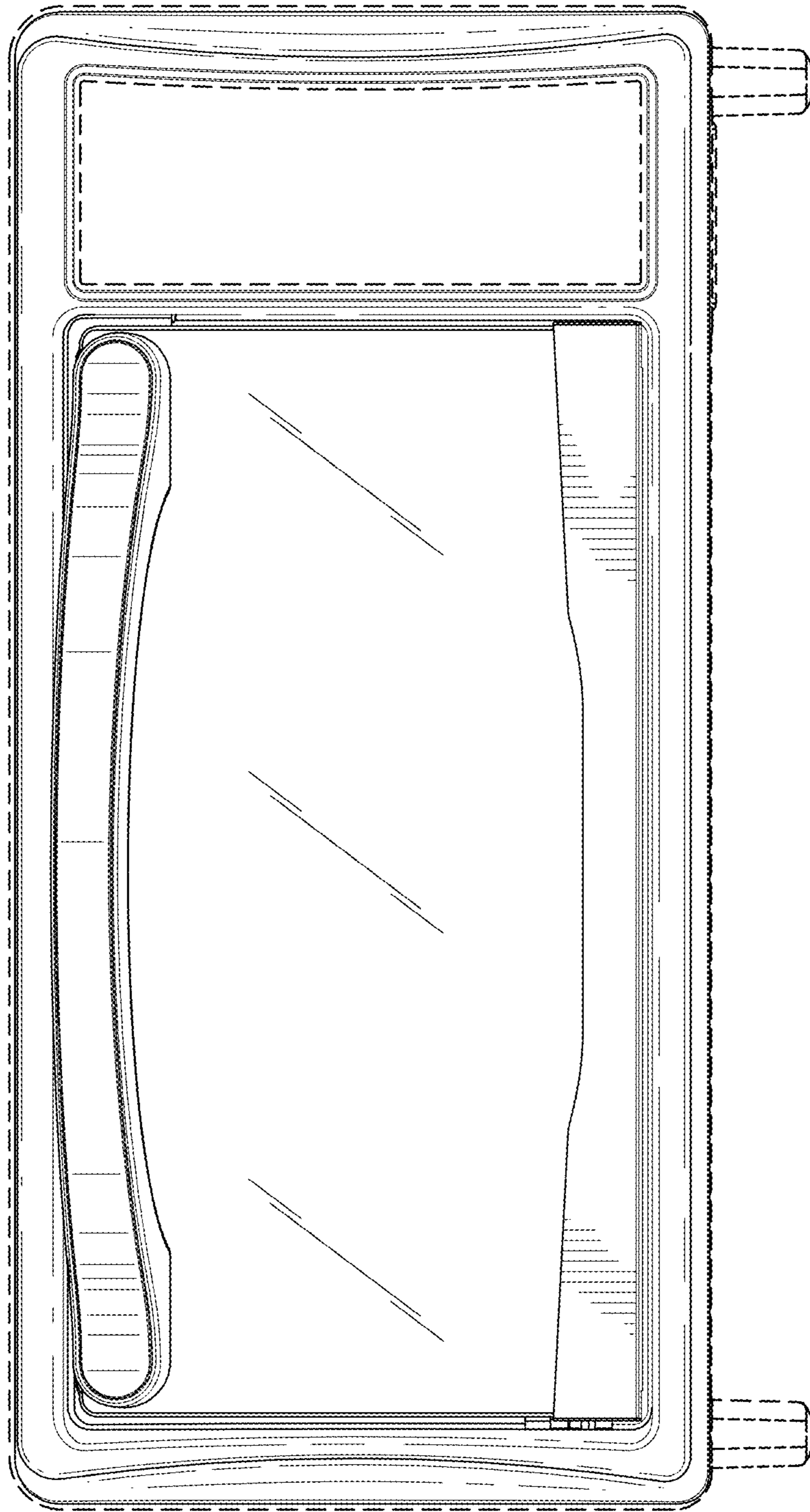


FIG. 2

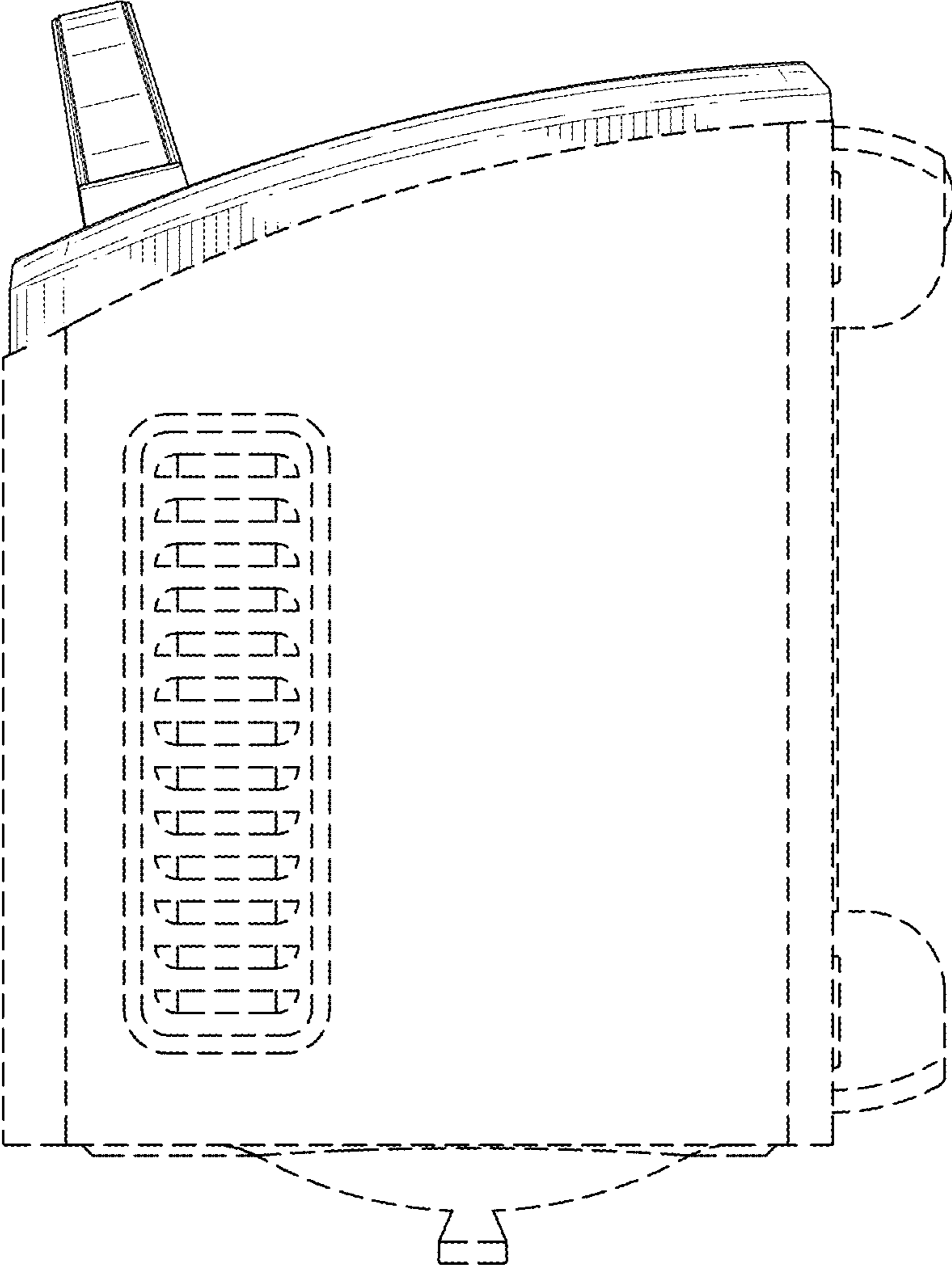


FIG. 3

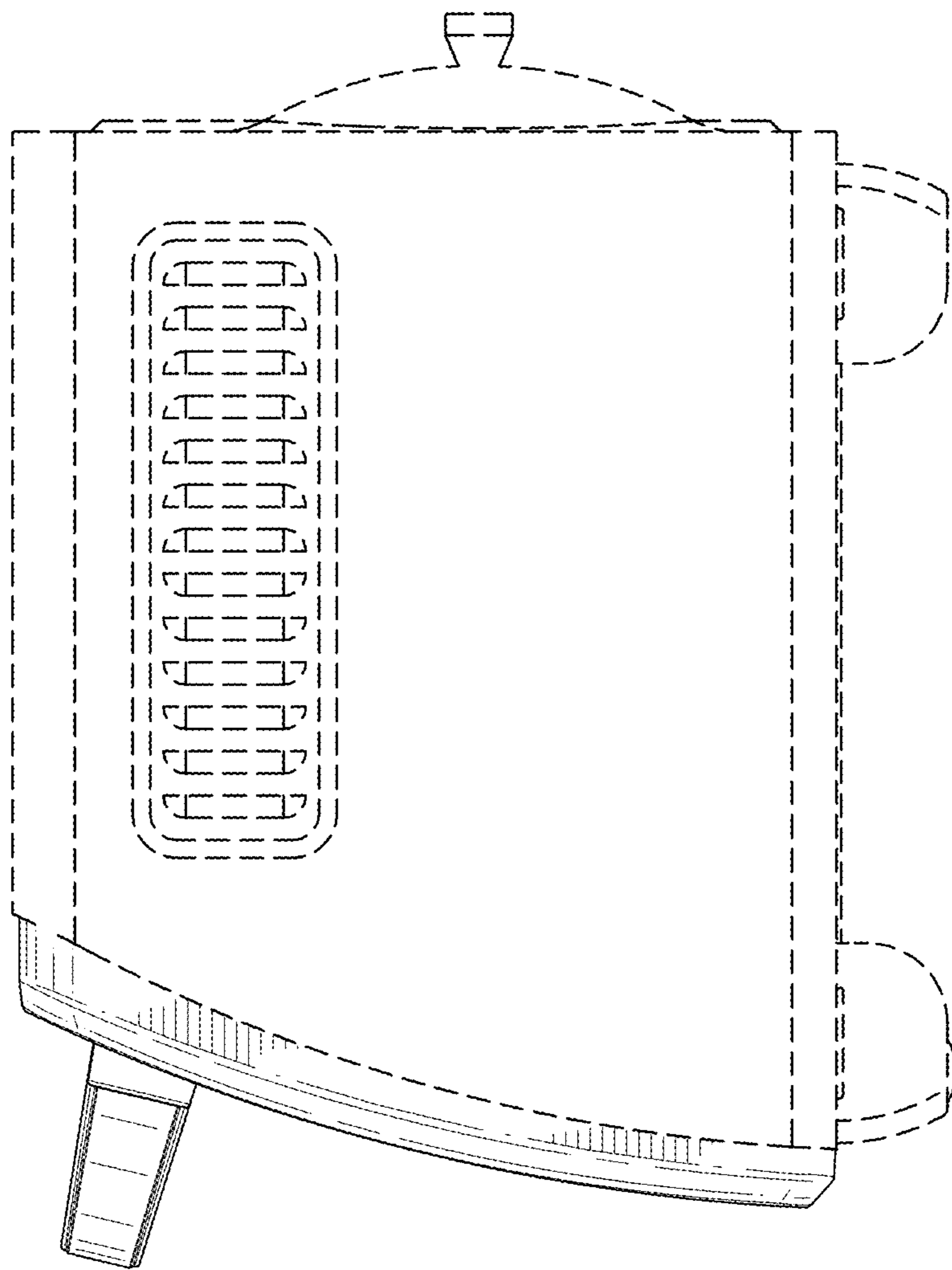


FIG. 4

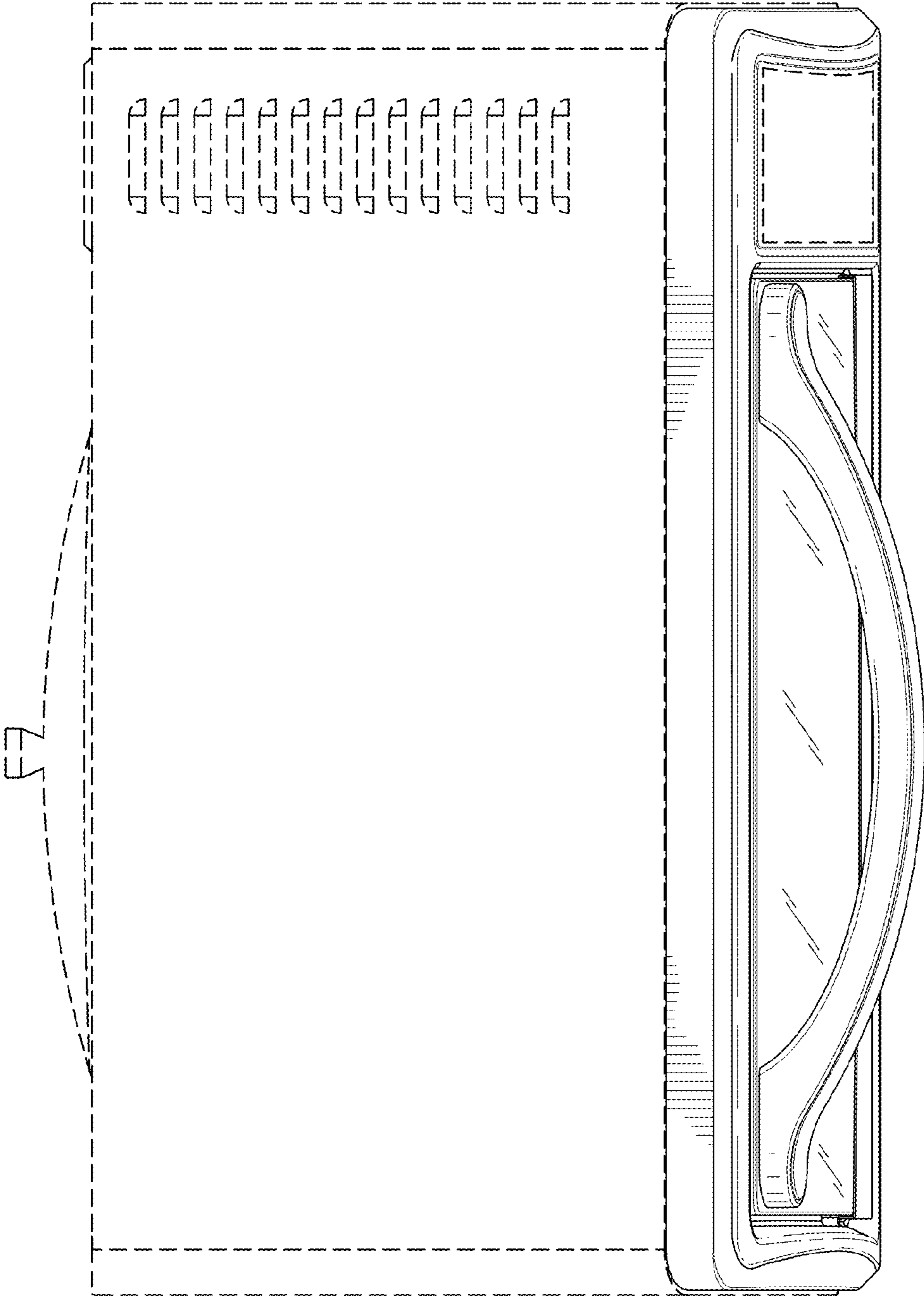


FIG. 5

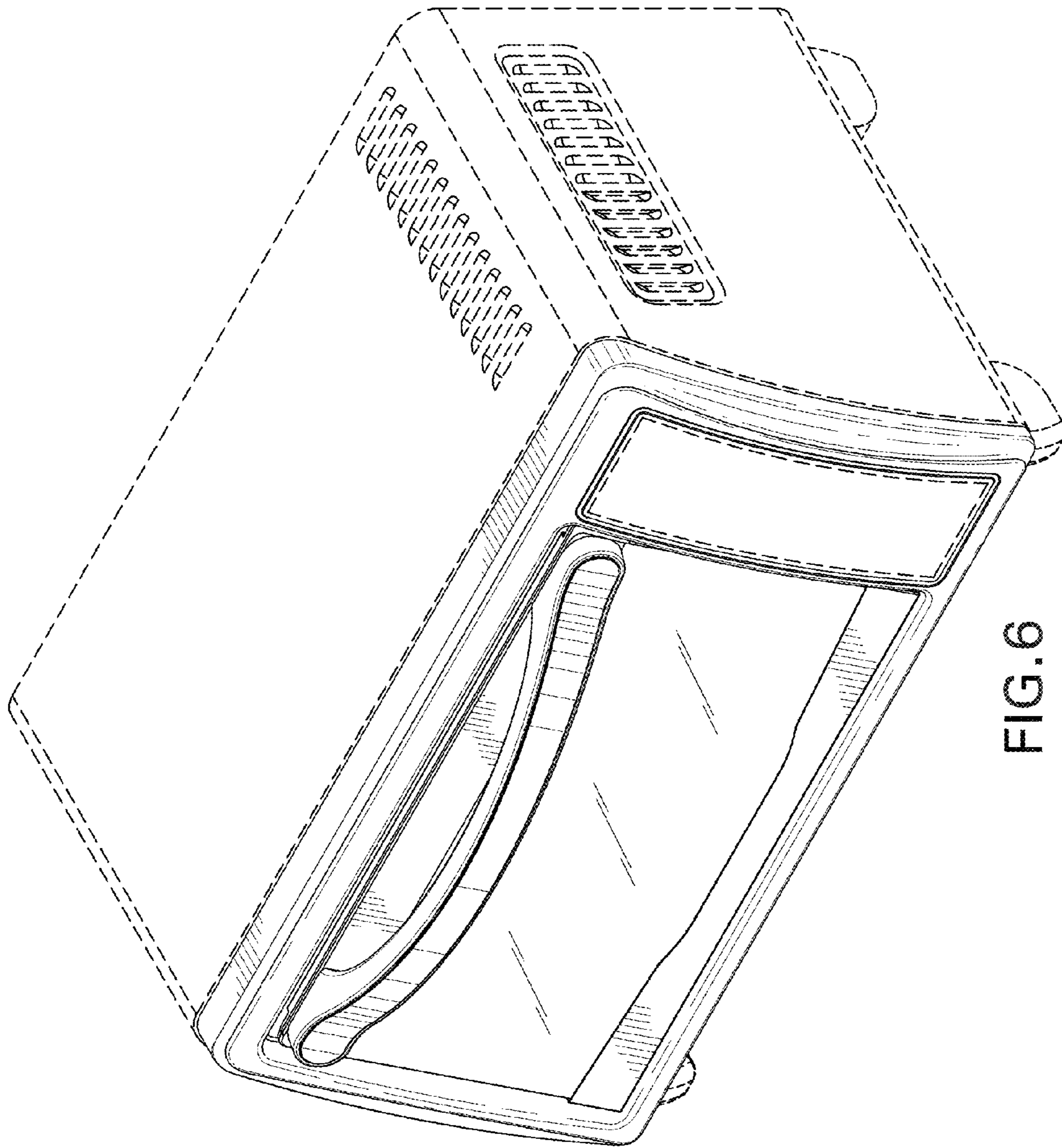


FIG. 6

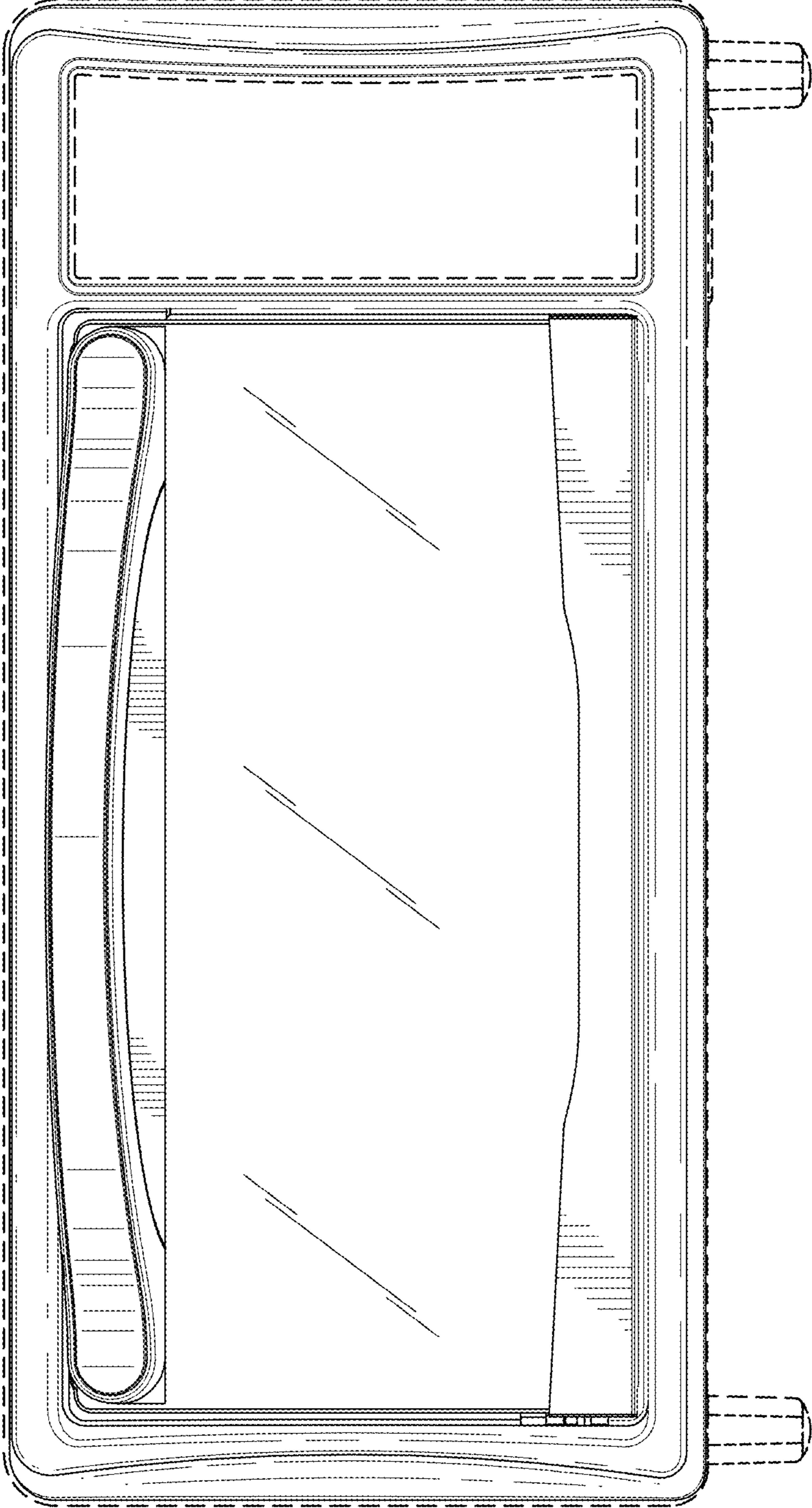


FIG. 7

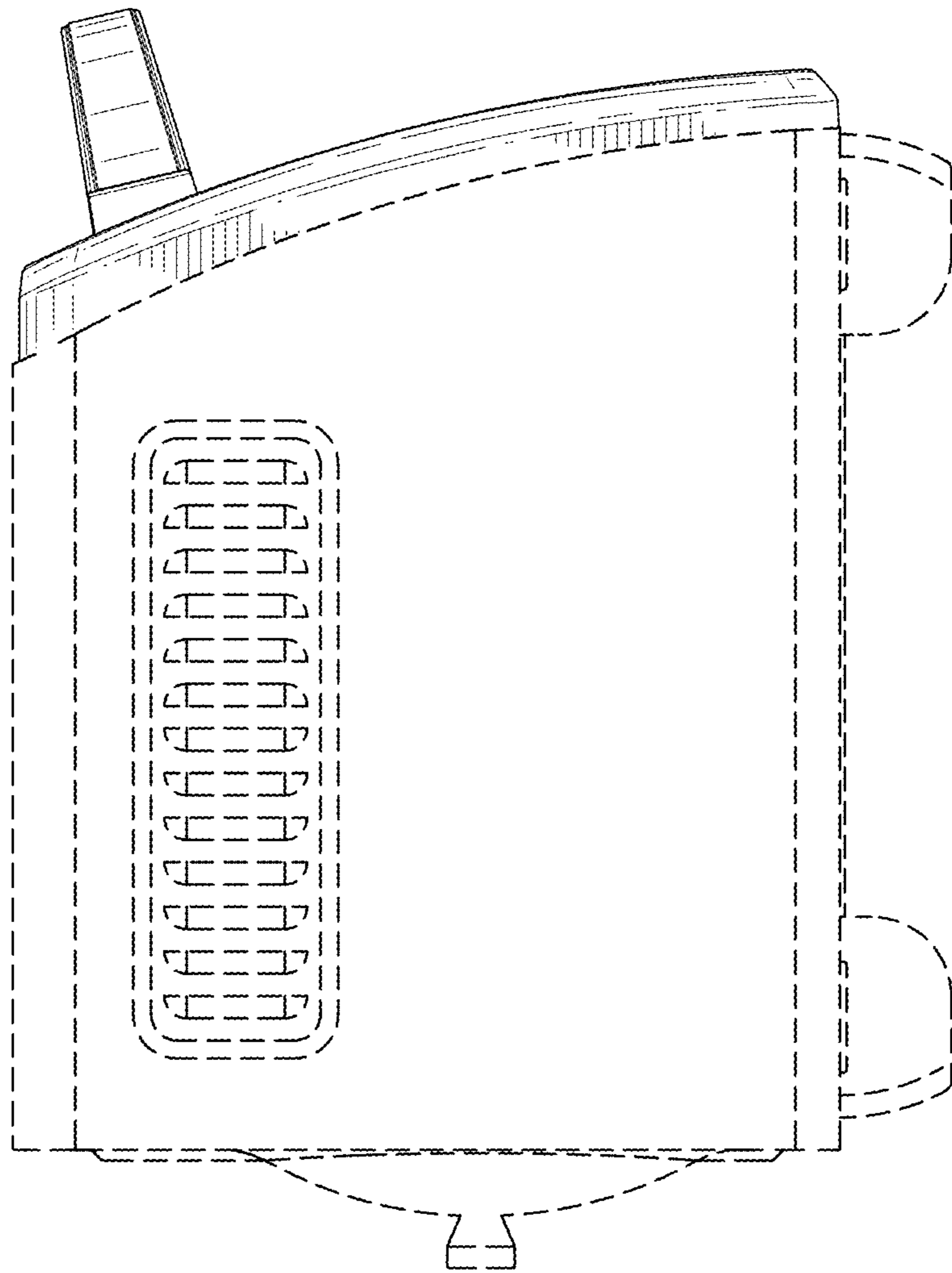


FIG. 8

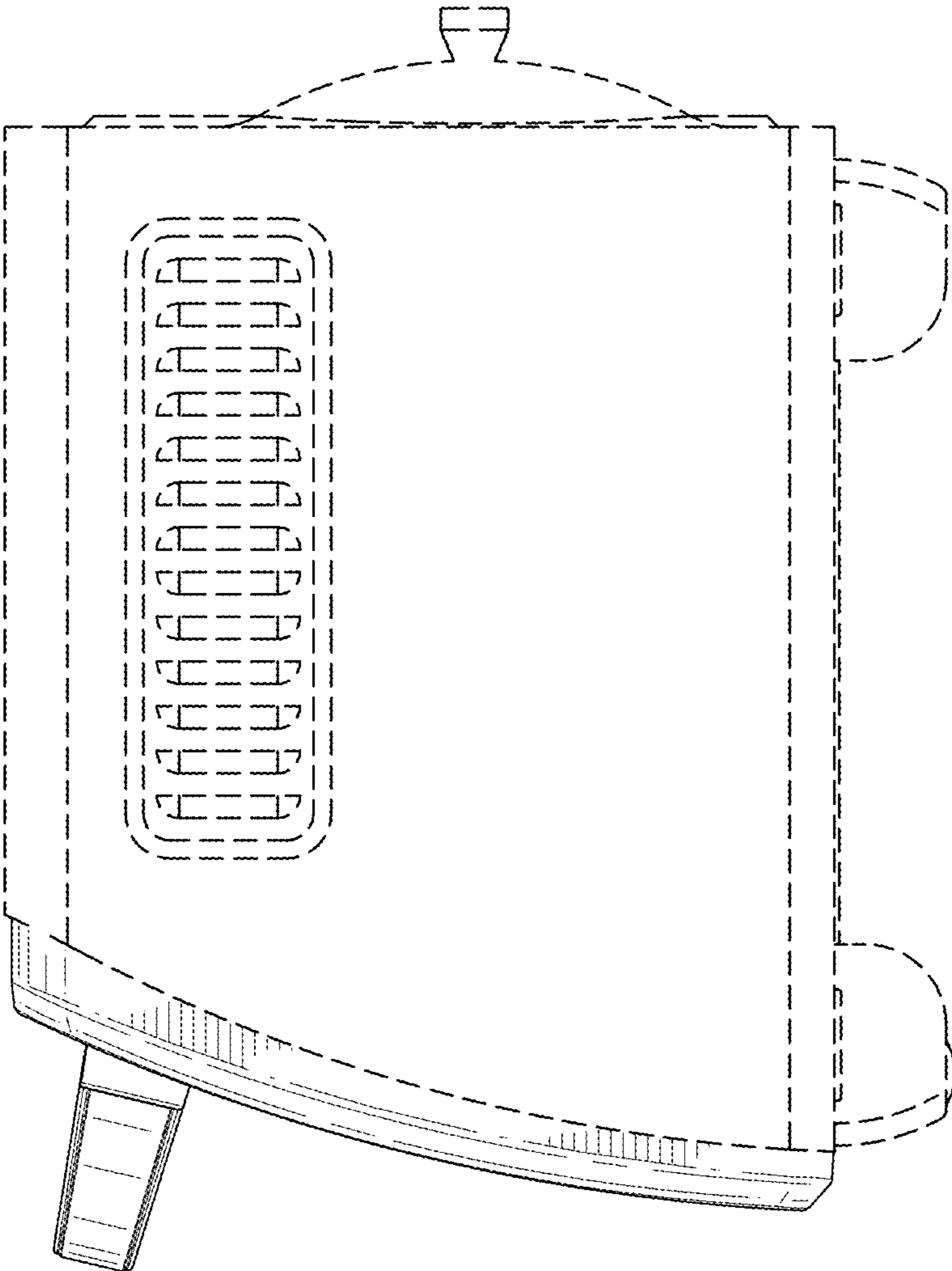


FIG. 9

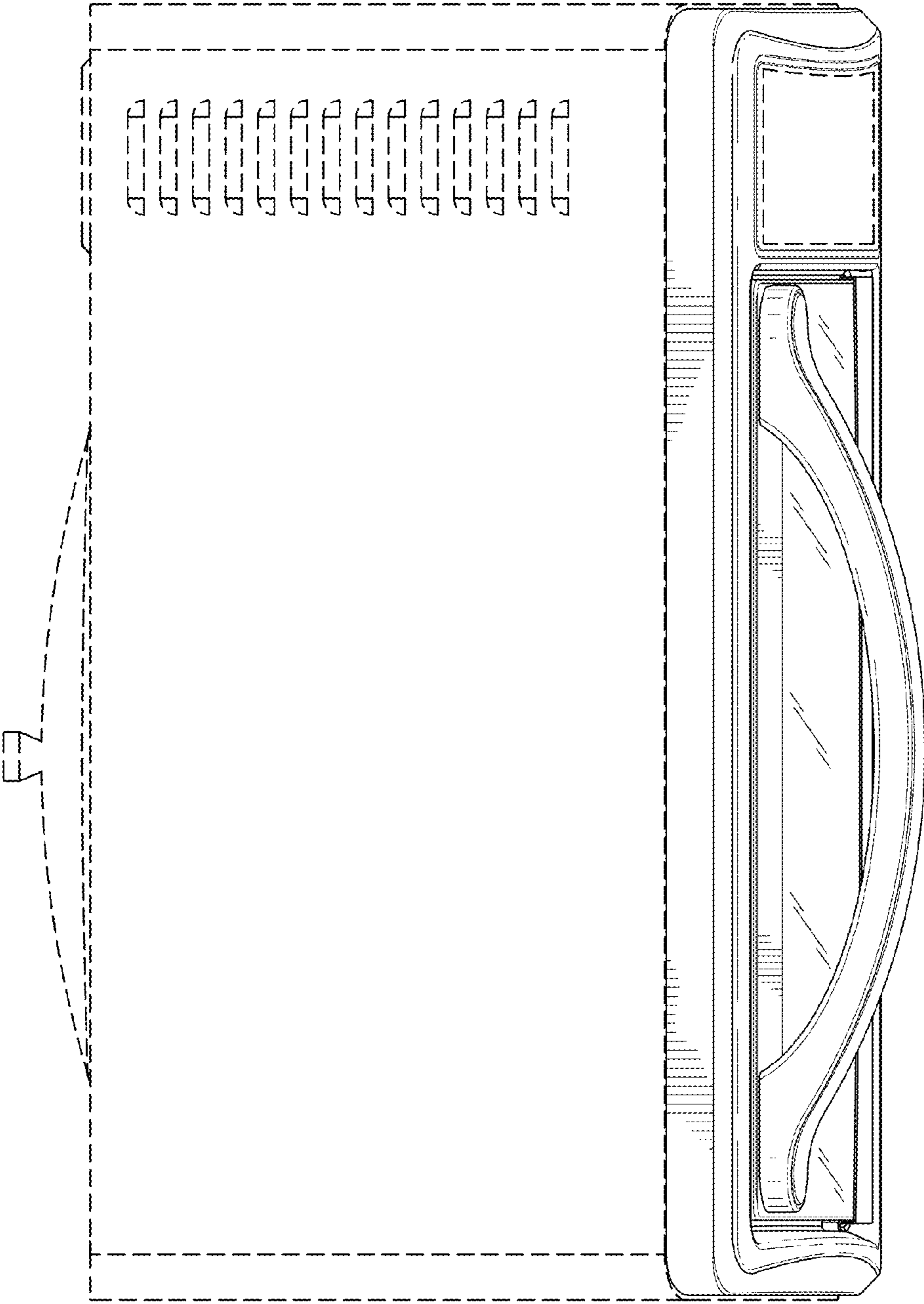


FIG.10