



US00D737620S

(12) **United States Design Patent**
Miller et al.

(10) **Patent No.:** **US D737,620 S**
(45) **Date of Patent:** **** Sep. 1, 2015**

(54) **TOASTER**

(71) Applicant: **Spectrum Brands, Inc.**, Middleton, WI (US)

(72) Inventors: **Randy Scott Miller**, DeForest, WI (US);
Francisco Javier Barquin, Madison, WI (US)

(73) Assignee: **Spectrum Brands, Inc.**, Middleton, WI (US)

(**) Term: **14 Years**

(21) Appl. No.: **29/483,918**

(22) Filed: **Mar. 4, 2014**

(51) **LOC (10) Cl.** **07-02**

(52) **U.S. Cl.**
USPC **D7/328**

(58) **Field of Classification Search**
USPC D7/323, 328-330, 350.1, 350.4, 390,
D7/405; D23/343
CPC A21B 2/00; A47J 37/00; A47J 37/06;
A47J 37/0611; A47J 37/08; A47J 37/0807;
A47J 37/0814; A47J 37/0835; A47J 37/0842;
A47J 37/085; A47J 37/0864; A47J 37/0878;
A47J 37/0885; A47J 37/0892; F24C 15/10;
F24C 15/102

See application file for complete search history.

(56) **References Cited**

U.S. PATENT DOCUMENTS

D412,637 S * 8/1999 Piret D7/350.4

D461,091 S *	8/2002	Chen	D7/350.4
D481,582 S *	11/2003	Seum et al.	D7/350.1
D521,799 S *	5/2006	Ledingham et al.	D7/350.1
D586,619 S *	2/2009	Pino et al.	D7/405
D587,959 S *	3/2009	Hensel	D7/350.1
D639,104 S *	6/2011	Duncan et al.	D7/350.1
D644,311 S *	8/2011	De' Longhi	D23/343
D655,125 S *	3/2012	Turner et al.	D7/328
D655,129 S *	3/2012	Gresko	D7/350.1
D662,349 S *	6/2012	Ho et al.	D7/350.1
D678,711 S *	3/2013	Reiner	D7/350.1
D723,323 S *	3/2015	Carlson	D7/350.1

* cited by examiner

Primary Examiner — Ricky Pham

(74) *Attorney, Agent, or Firm* — Banner & Witcoff, Ltd.

(57) **CLAIM**

The ornamental design for a toaster, as shown and described.

DESCRIPTION

FIG. 1 is a front perspective view of a toaster showing our new design;

FIG. 2 is a front view thereof;

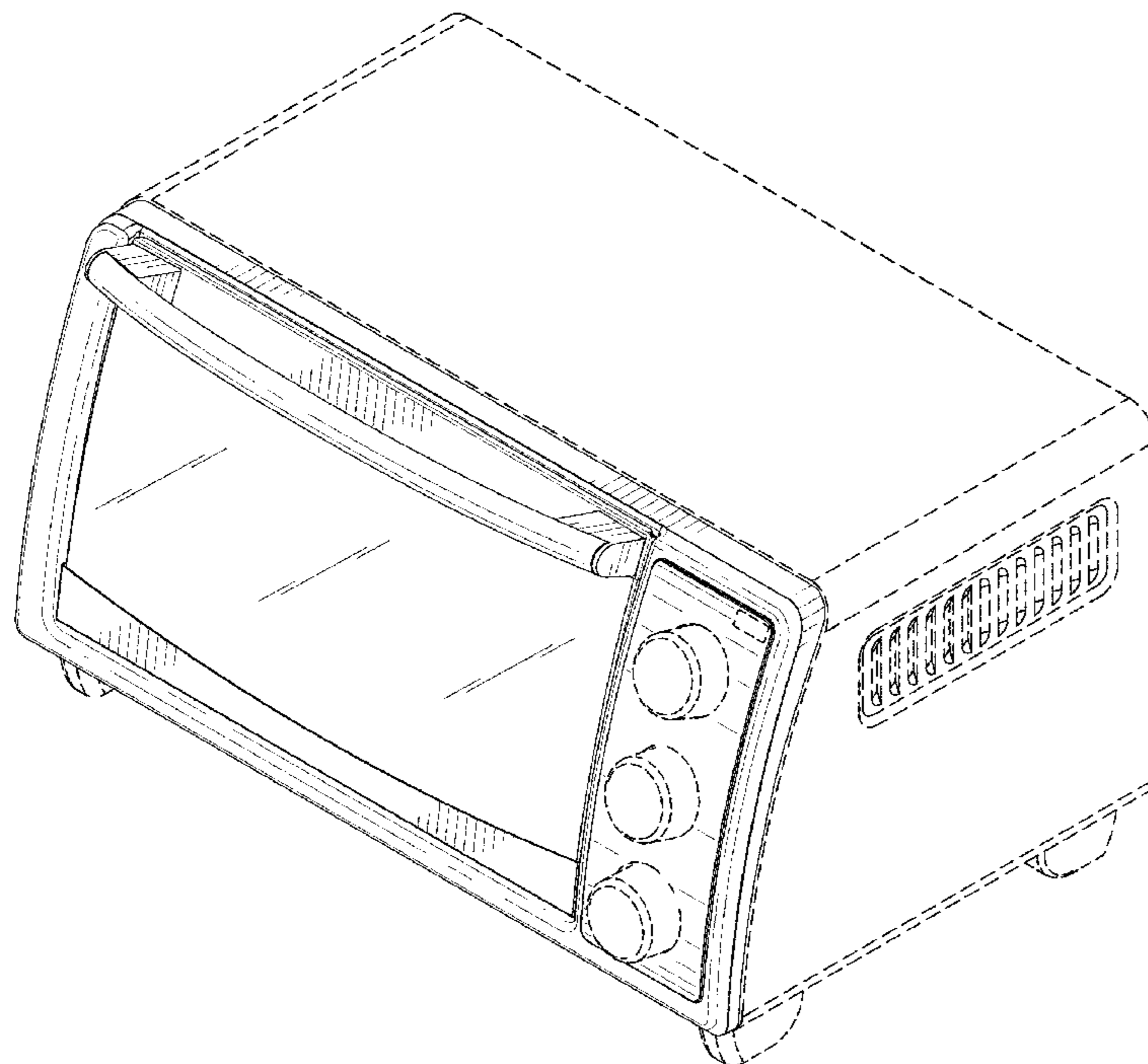
FIG. 3 is a left side view thereof;

FIG. 4 is a right side view thereof; and,

FIG. 5 is a top view thereof.

The broken lines immediately adjacent to the shaded area represent unclaimed boundaries of the design. The broken line showing of various regions of the toaster and the unshaded regions therein, and the remainder of the toaster is for environmental purposes only and forms no part of the claimed design.

1 Claim, 5 Drawing Sheets



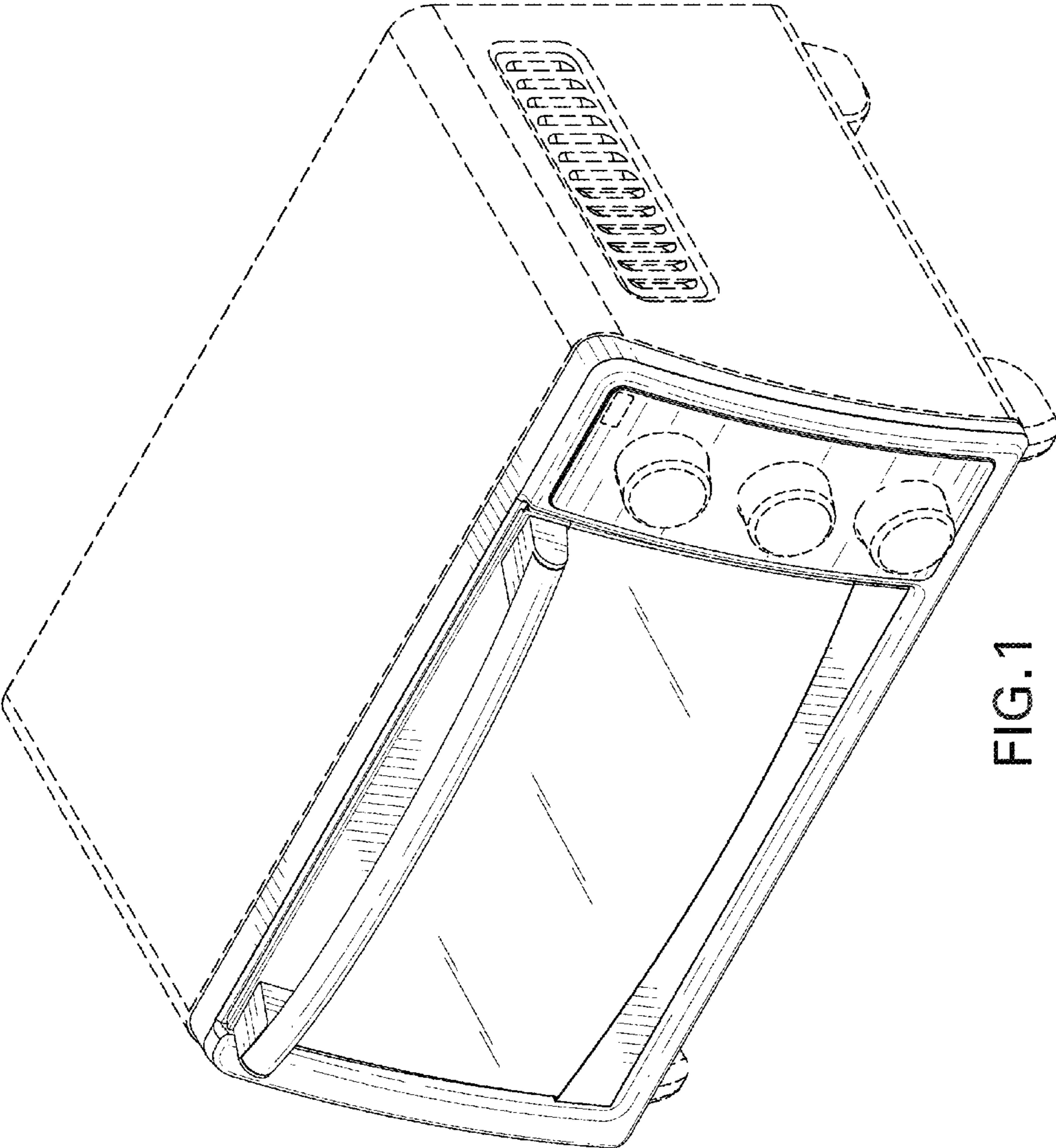


FIG. 1

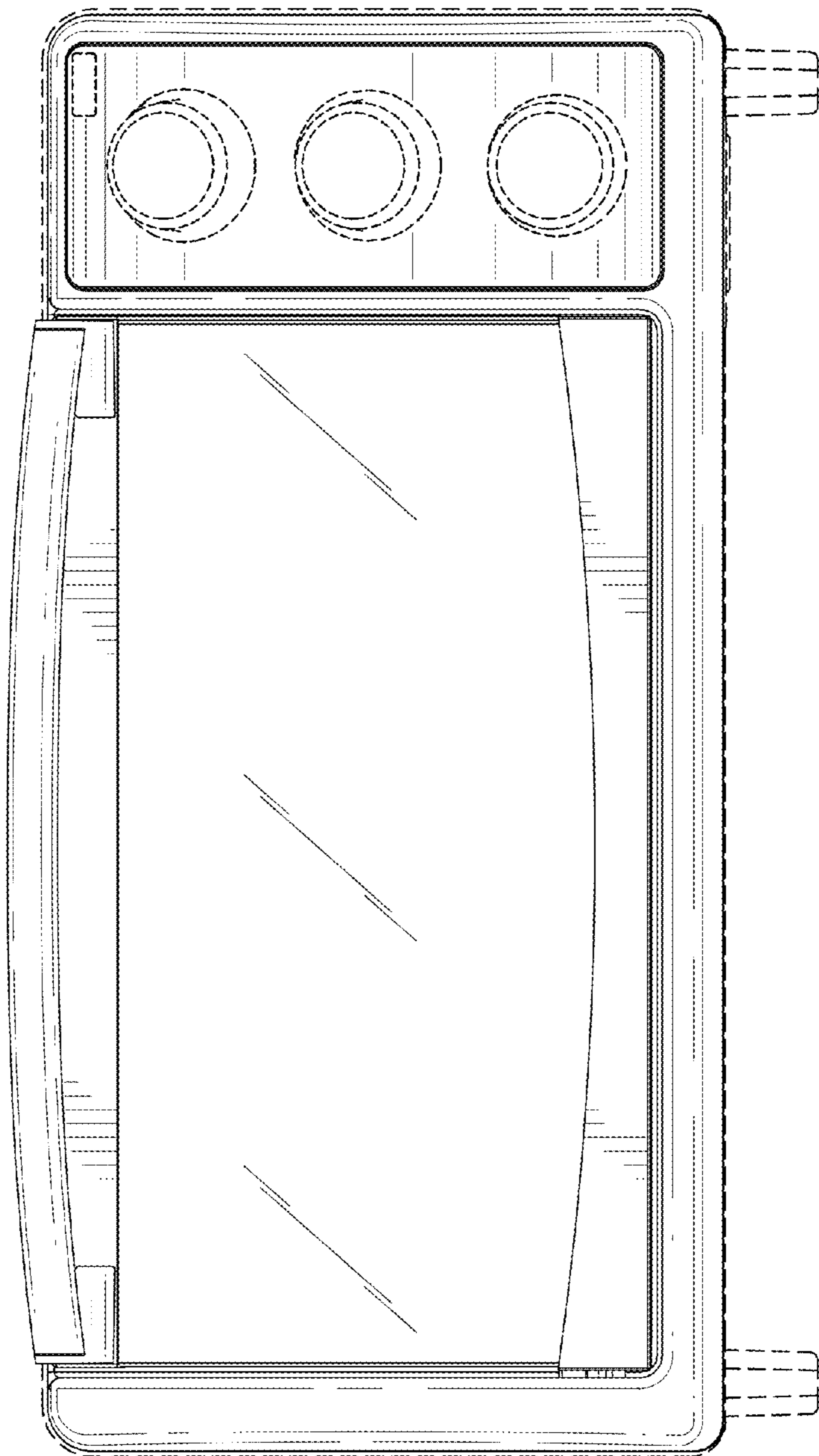


FIG. 2

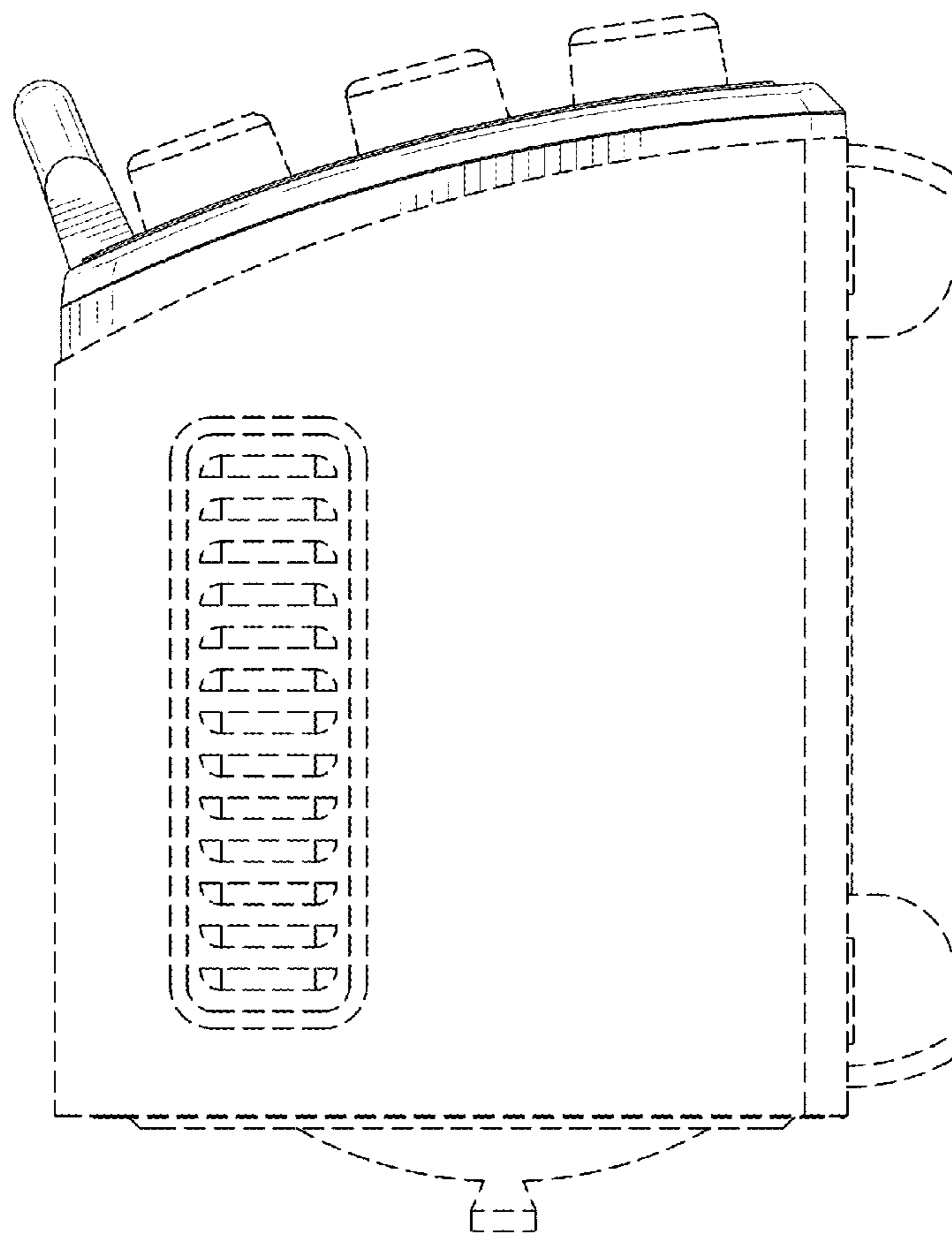


FIG. 3

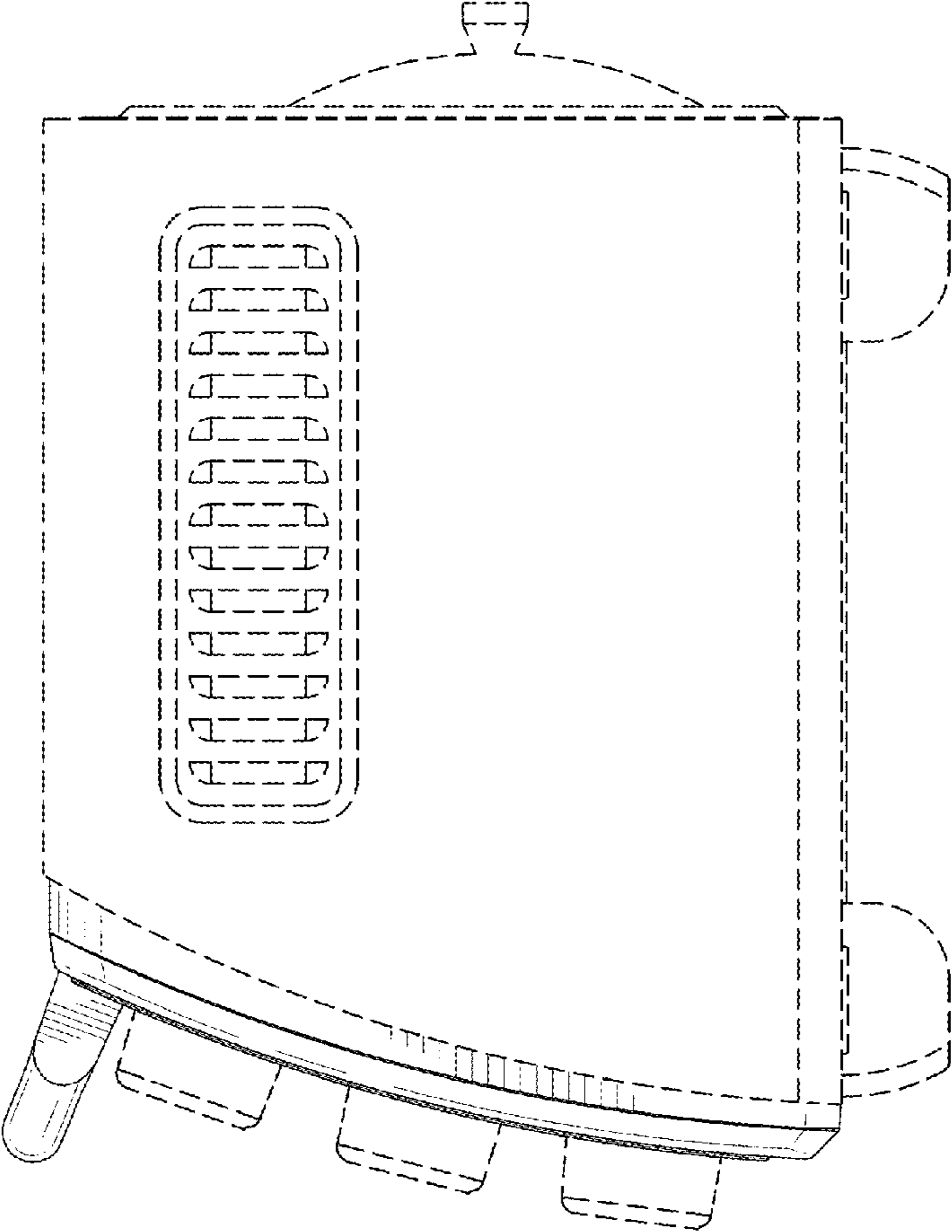


FIG.4

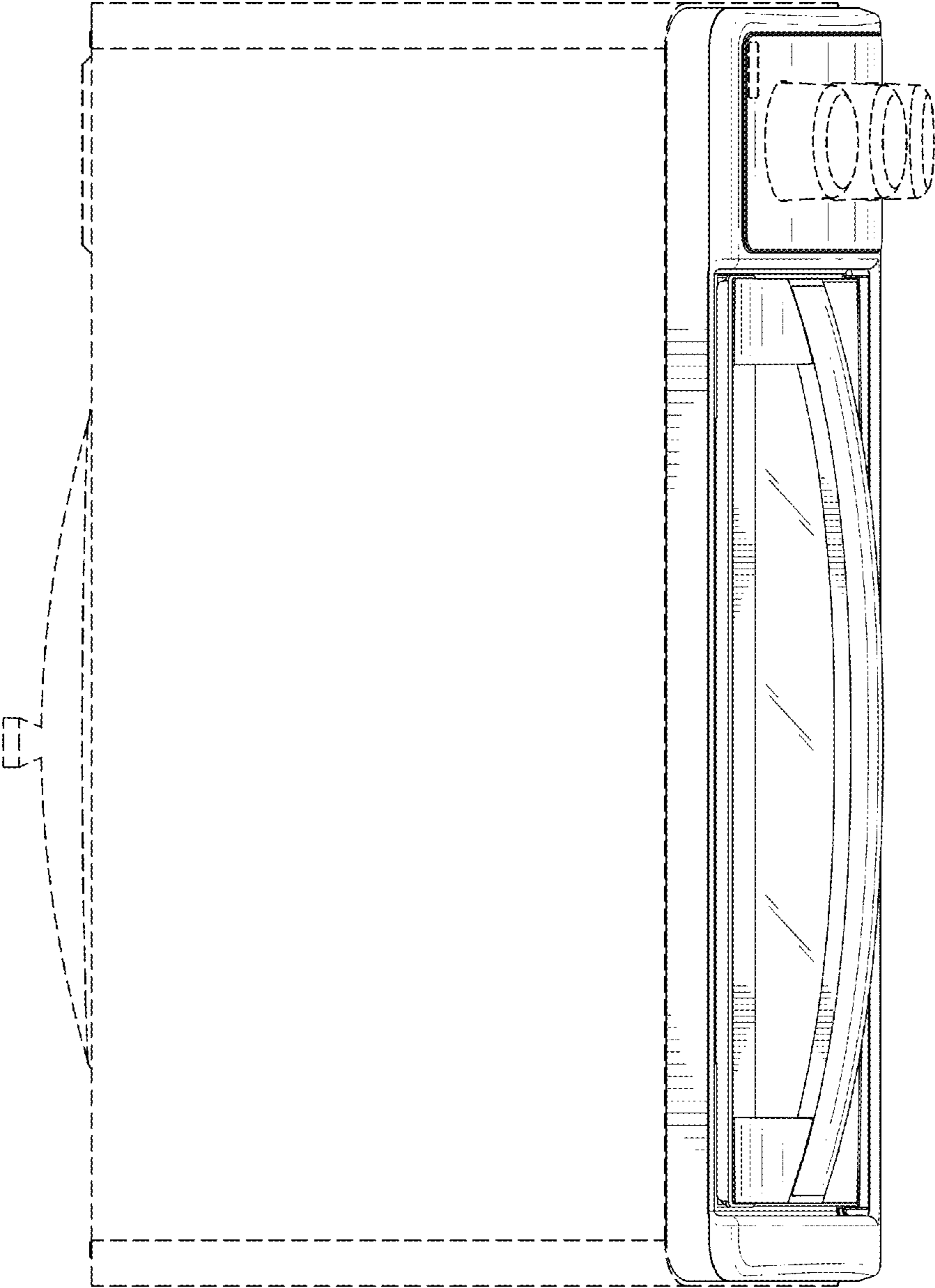


FIG.5