



US00D737619S

(12) **United States Design Patent**
Cornu et al.

(10) **Patent No.:** **US D737,619 S**
(45) **Date of Patent:** **** Sep. 1, 2015**

(54) **PITCHER WITH HANDLE**
(71) Applicant: **Dart Industries Inc.**, Orlando, FL (US)
(72) Inventors: **Judicaël Cornu**, Brussels (BE); **Kris Schoukens**, Zwevegem (BE)
(73) Assignee: **Dart Industries Inc.**, Orlando, FL (US)
(**) Term: **14 Years**

(21) Appl. No.: **29/485,266**
(22) Filed: **Mar. 18, 2014**
(51) **LOC (10) Cl.** **07-01**
(52) **U.S. Cl.**
USPC **D7/318**; D7/316
(58) **Field of Classification Search**
USPC D7/509–516, 523, 533, 534, 535, 326,
D7/543, 548, 300, 312, 314, 316, 317, 318,
D7/319, 320, 598, 589, 396.2, 360, 361,
D7/667, 387, 376; D10/46.2; D19/85;
D24/197, 198, 199; 220/703, 714, 710,
220/710.5, 212.5, 751, 23.4, 574; D9/432;
366/139; D30/127; 210/469
CPC A47G 19/22; A47G 19/2266; A47G
19/2272; A61J 9/00; A61J 9/06; A61J 9/08;
A61J 9/085
See application file for complete search history.

(56) **References Cited**

U.S. PATENT DOCUMENTS

D194,622 S 2/1963 Swett
D227,142 S 6/1973 Swett
D255,531 S * 6/1980 Daenen et al. D10/46.2
D270,602 S 9/1983 Fritz
D283,193 S 4/1986 Daenen
D287,324 S 12/1986 Schmidt
D287,325 S 12/1986 Schmidt
D293,291 S * 12/1987 Hansen D7/533

D414,978 S 10/1999 Bruckner
D433,866 S 11/2000 Cautereels et al.
D454,469 S 3/2002 Jalet et al.
D598,713 S * 8/2009 Luft D7/533
D613,121 S * 4/2010 Luft D7/533
D646,524 S 10/2011 Kortleven
D653,902 S 2/2012 Chen
D673,426 S 1/2013 Heiberg et al.
D678,727 S * 3/2013 Kolar D7/533
D683,176 S * 5/2013 Kuzmin et al. D7/319
2013/0062358 A1 * 3/2013 El-Saden et al. 220/715

* cited by examiner

Primary Examiner — Marianne Pandozzi

Assistant Examiner — Jae Liang

(74) *Attorney, Agent, or Firm* — Taylor J. Ross

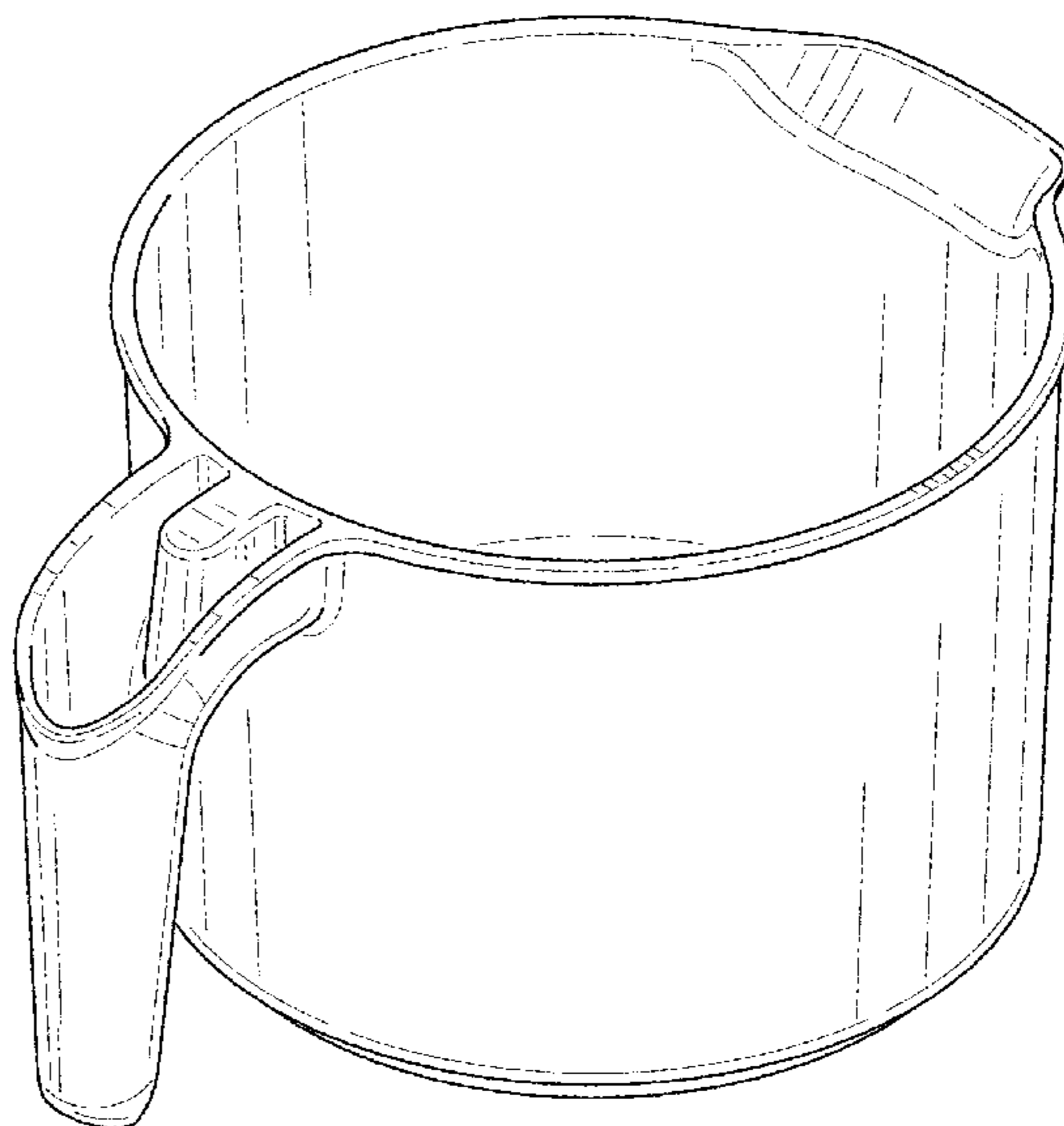
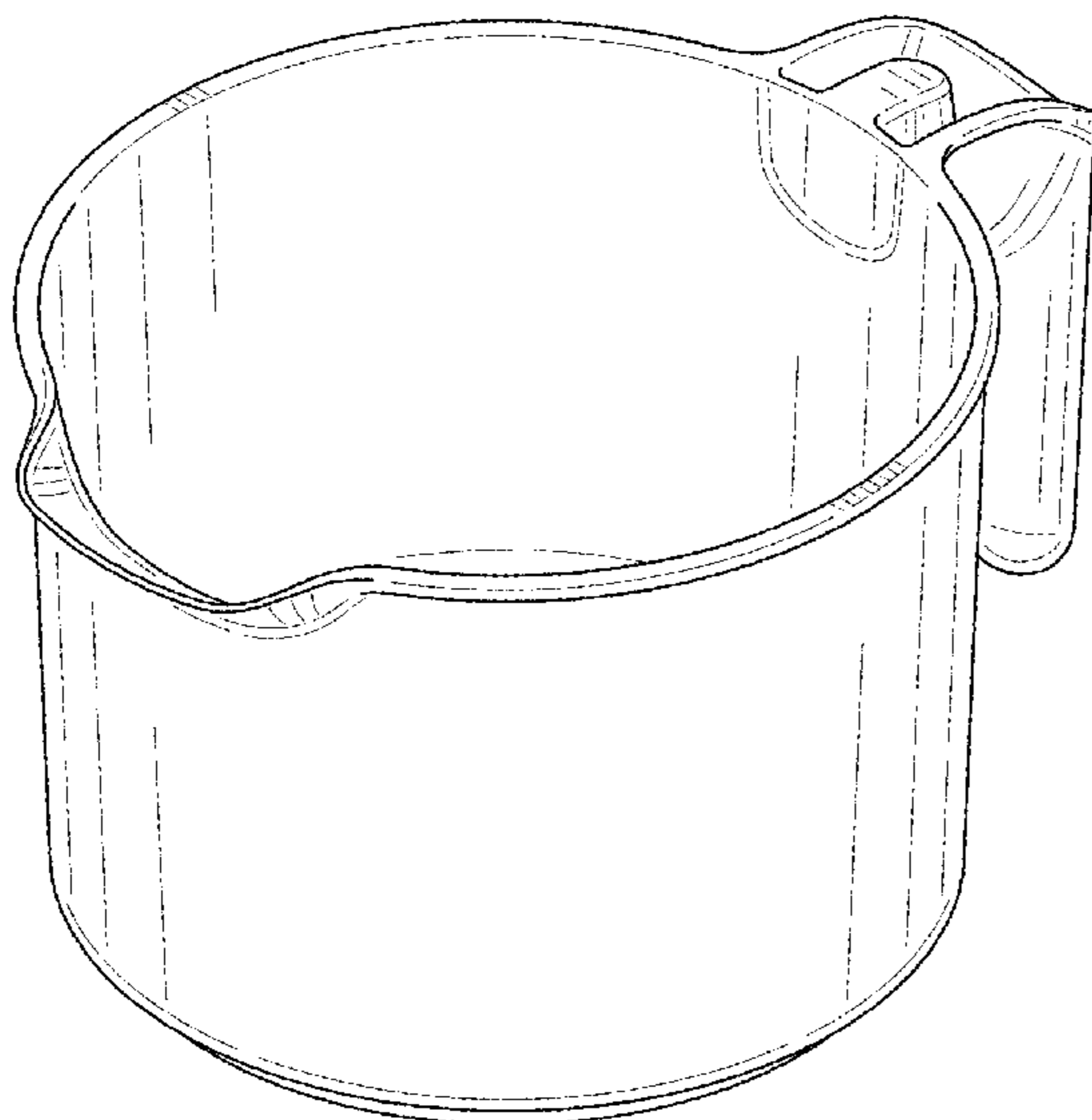
(57) **CLAIM**

The ornamental design for a pitcher with handle, as shown and described.

DESCRIPTION

FIG. 1 is a top, front and left side perspective view of the first embodiment of a pitcher with handle showing our new design;
FIG. 2 is a top, rear and right side perspective view thereof;
FIG. 3 is a bottom, rear and left side perspective view thereof;
FIG. 4 is a top plan view thereof;
FIG. 5 is a bottom plan view thereof;
FIG. 6 is a left side elevation view, the right elevation being a mirror image thereof;
FIG. 7 is a front elevation view thereof;
FIG. 8 is a rear elevation view thereof;
FIG. 9 is a cross-sectional view taken along line 9-9 of FIG. 4;
FIG. 10 is a cross-sectional view taken along line 10-10 of FIG. 4; and,
FIG. 11 is a cross-sectional view taken along line 11-11 of FIG. 10.

1 Claim, 5 Drawing Sheets



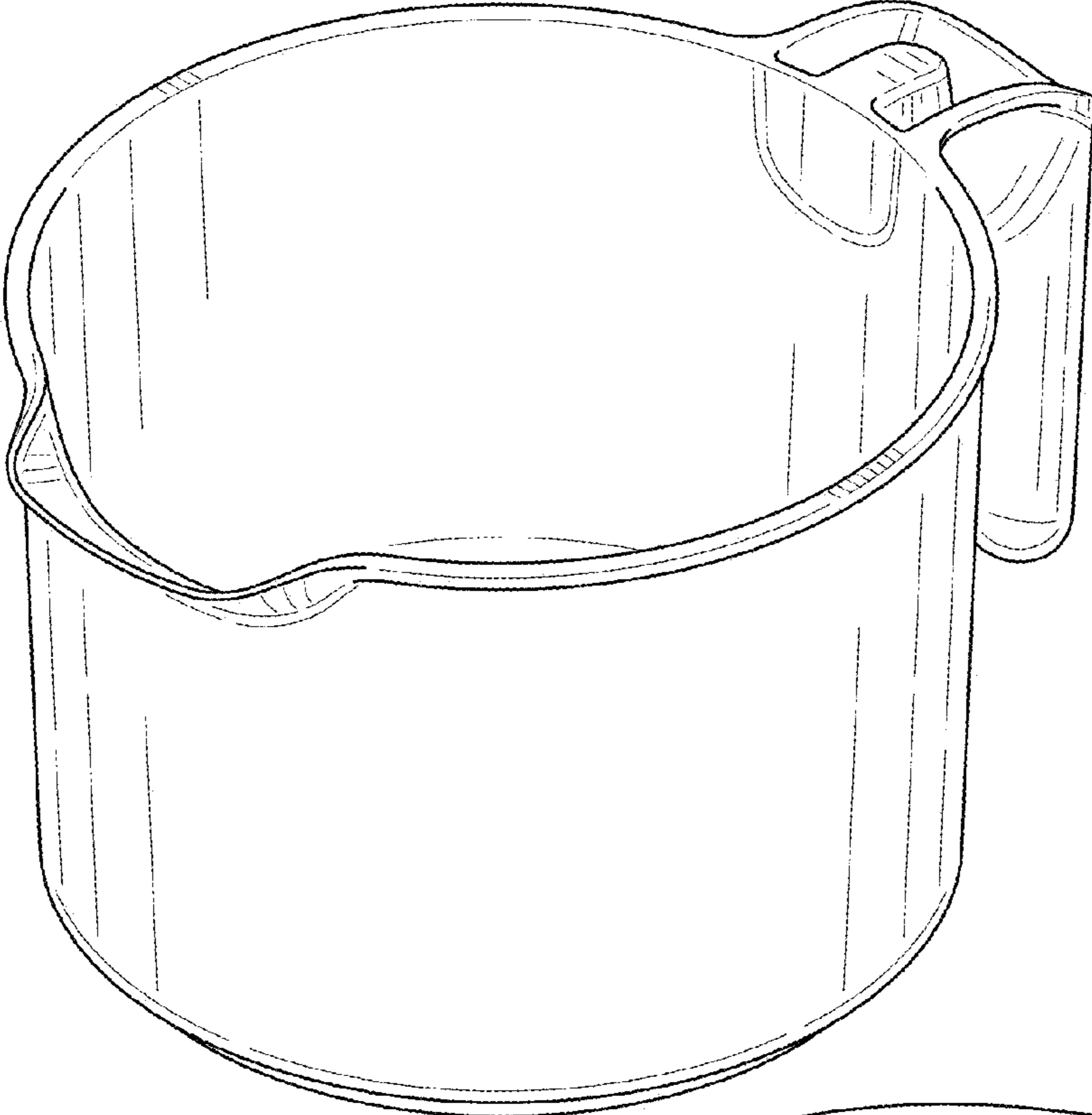


FIG. 1

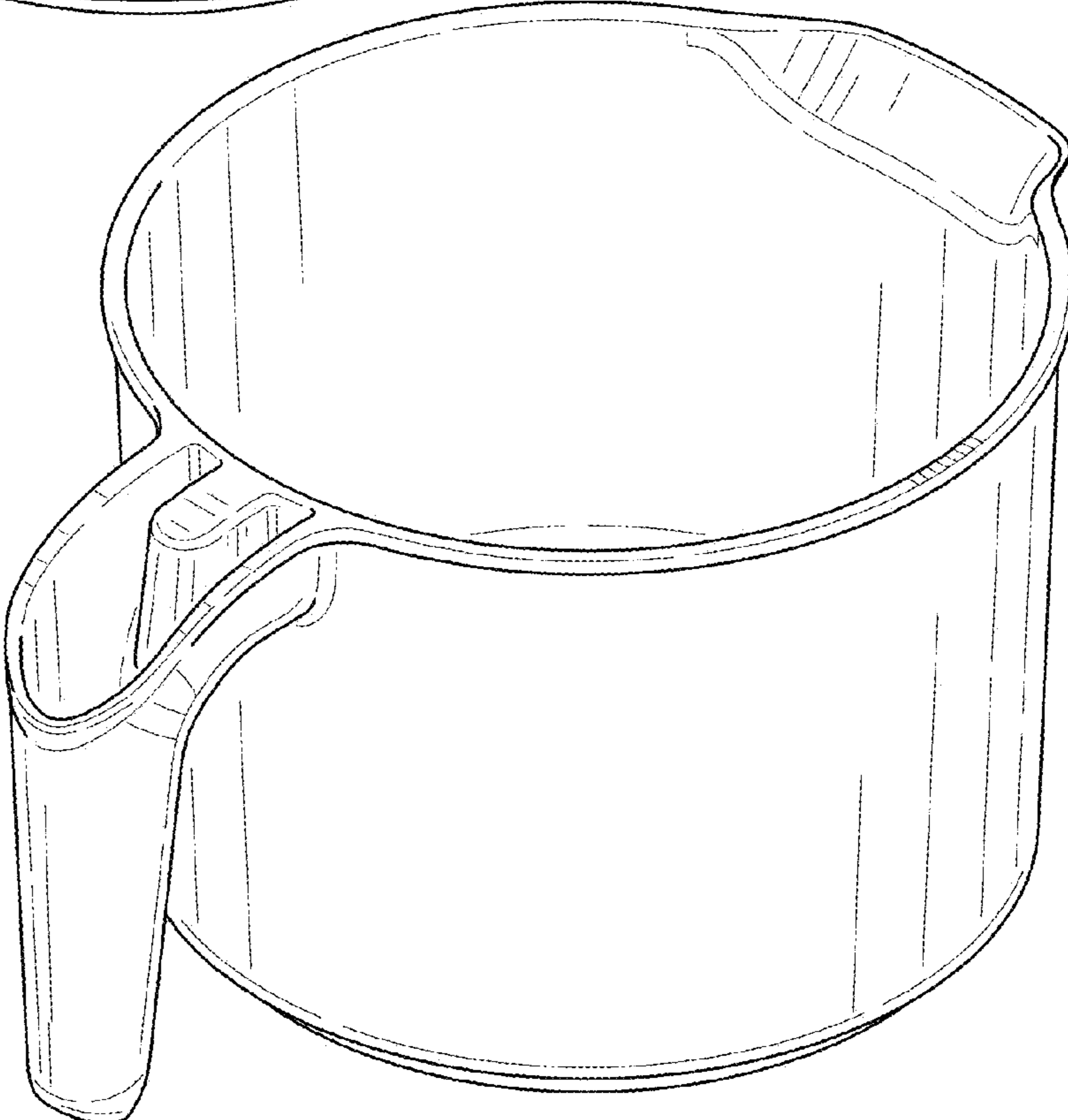


FIG. 2

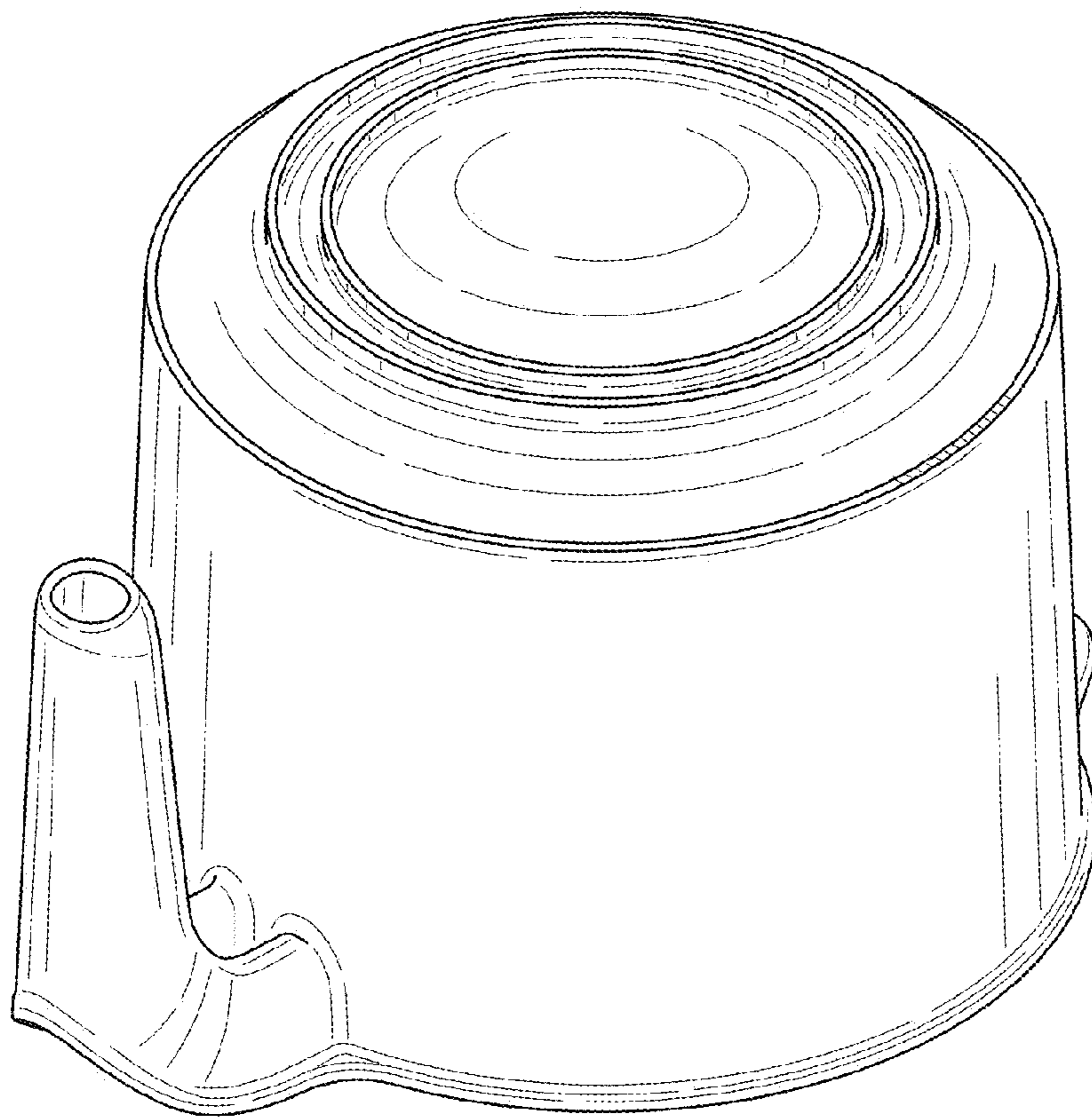


FIG. 3

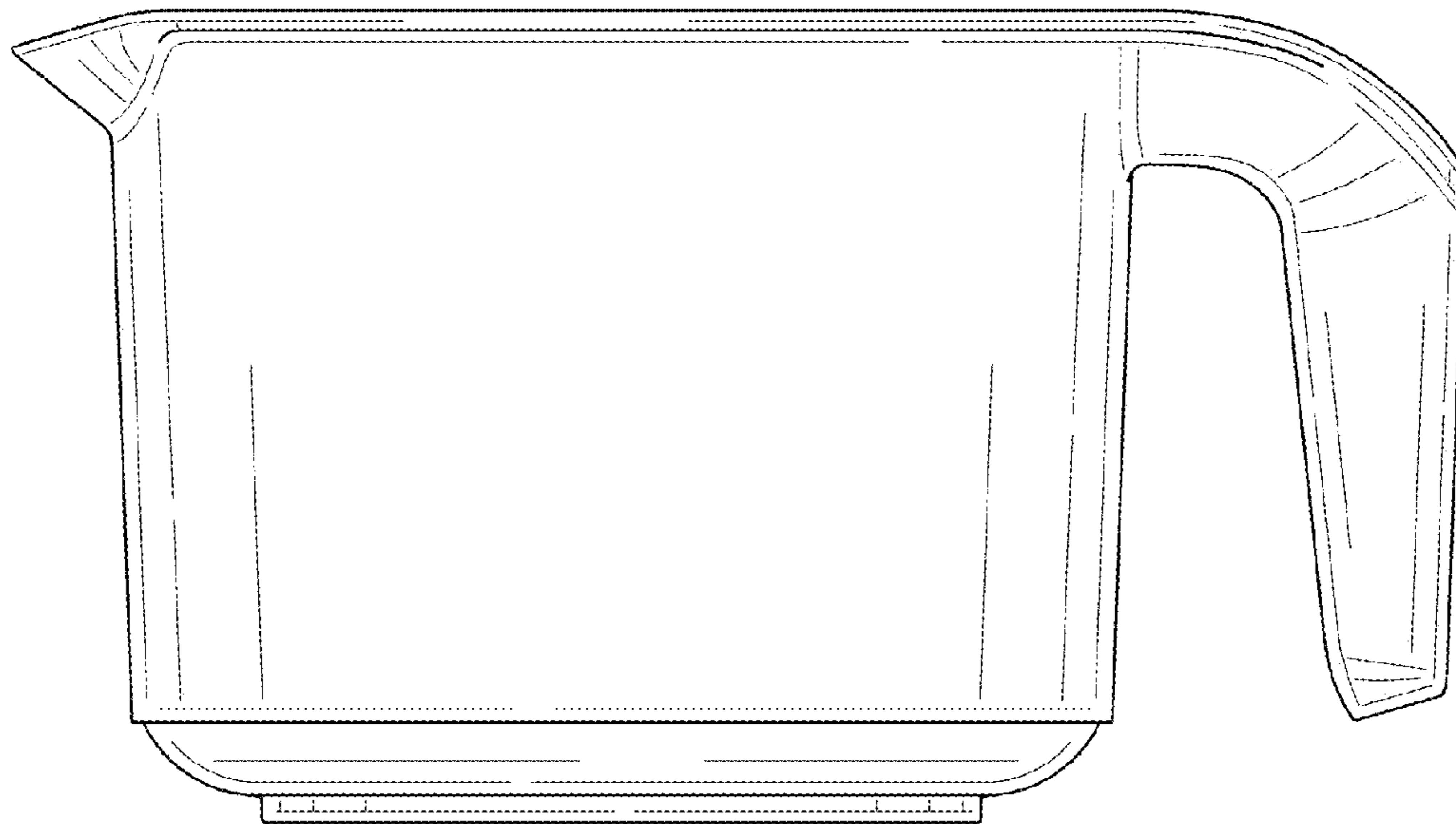


FIG. 6

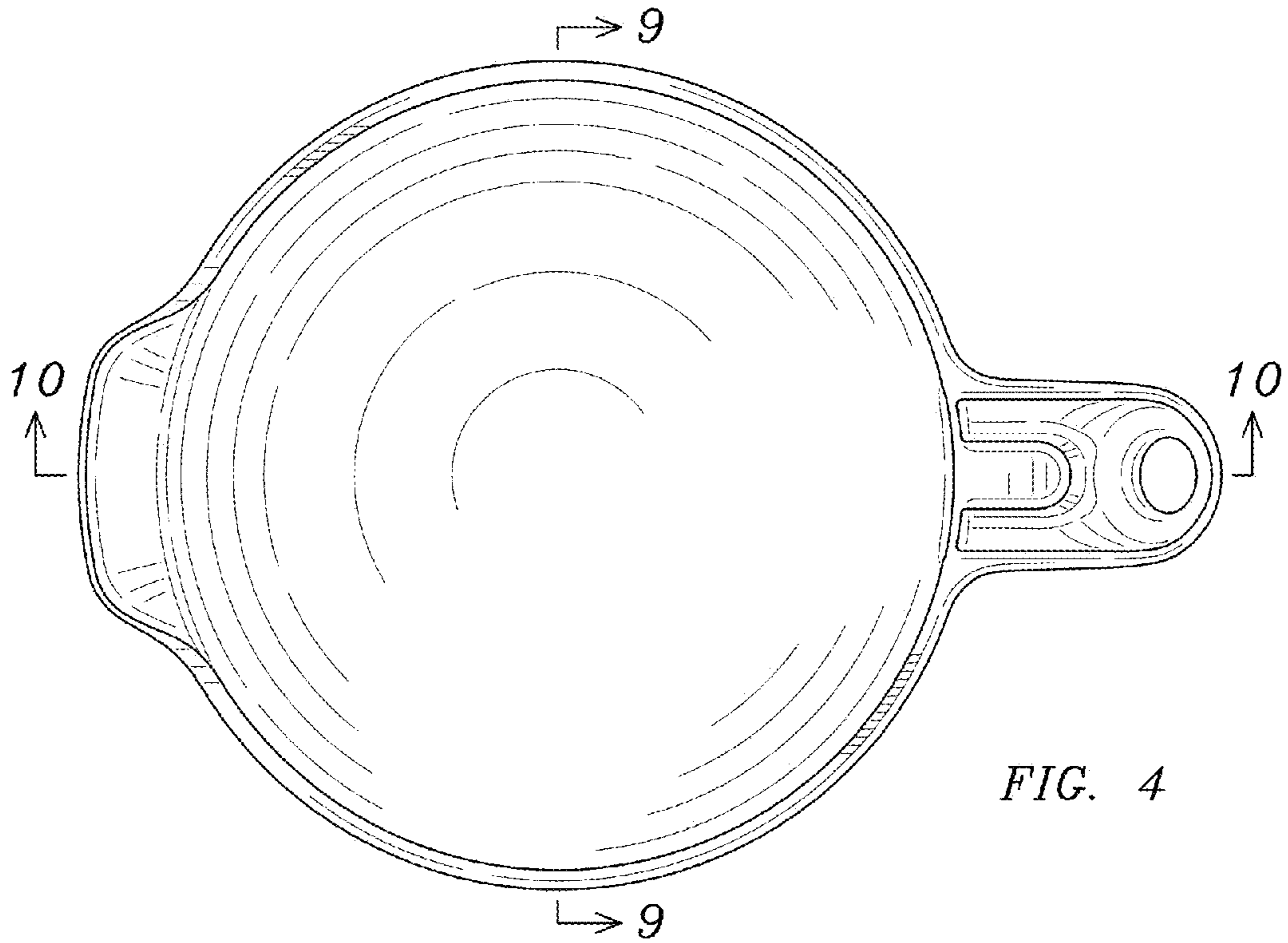


FIG. 4

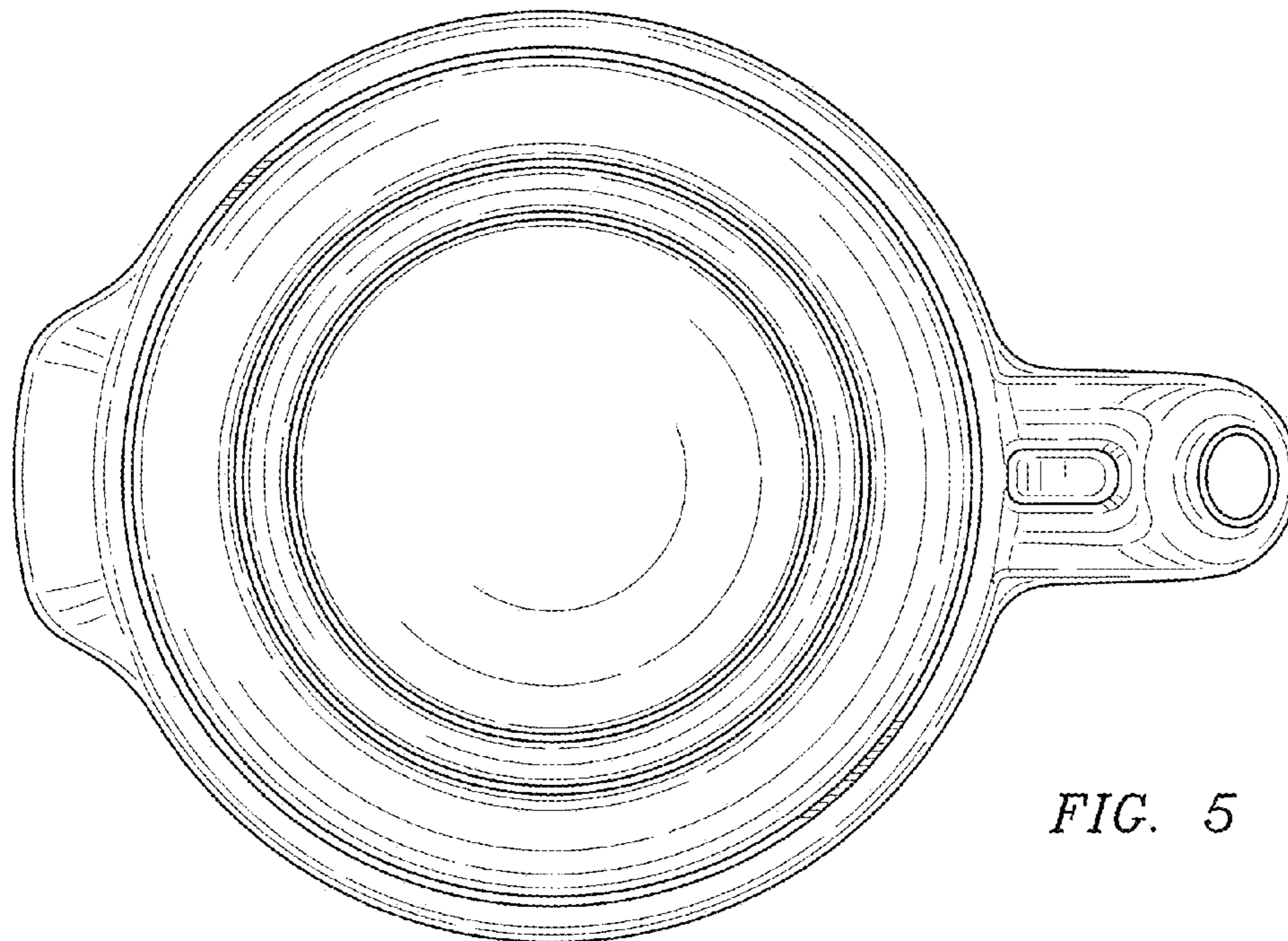


FIG. 5

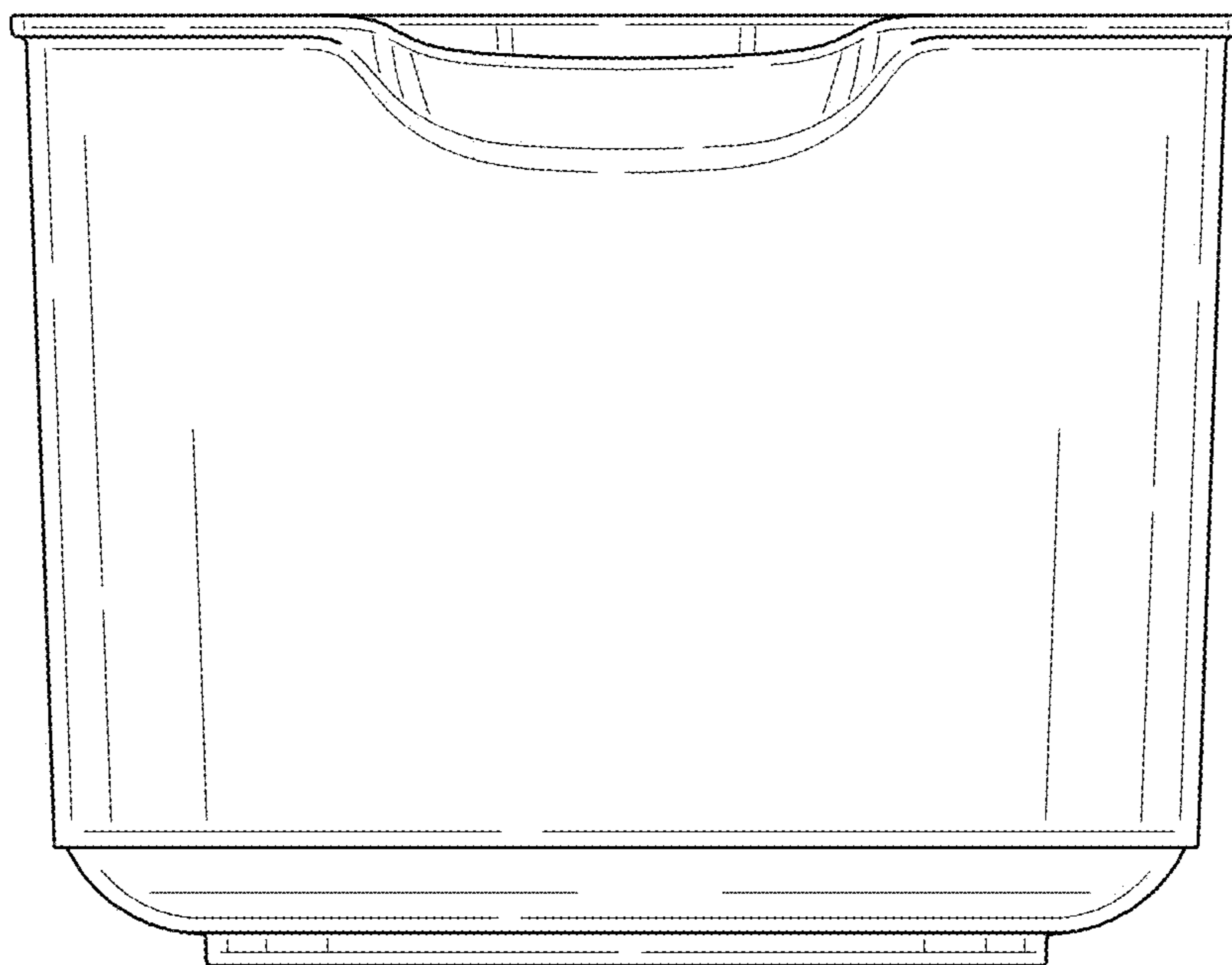


FIG. 7

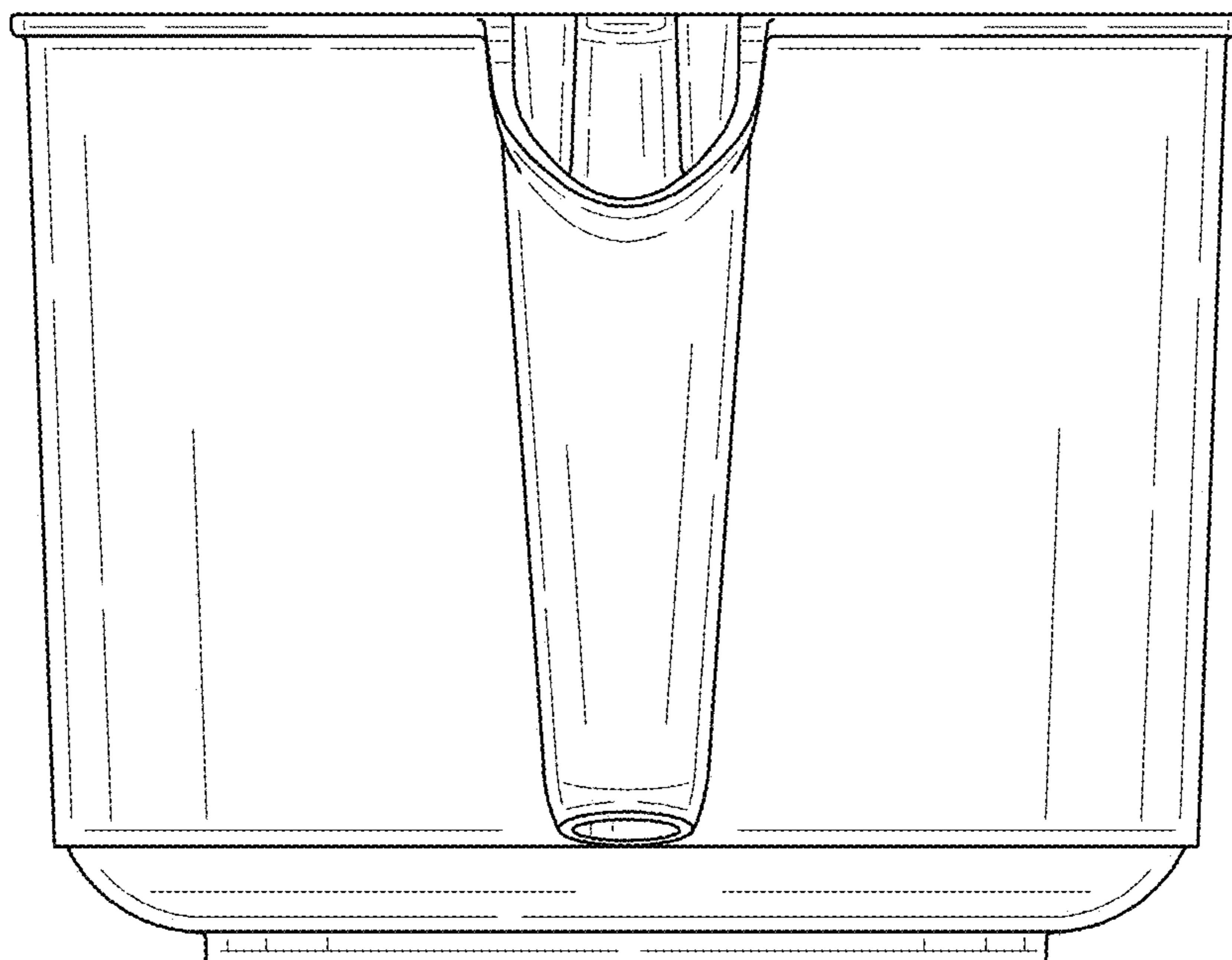


FIG. 8

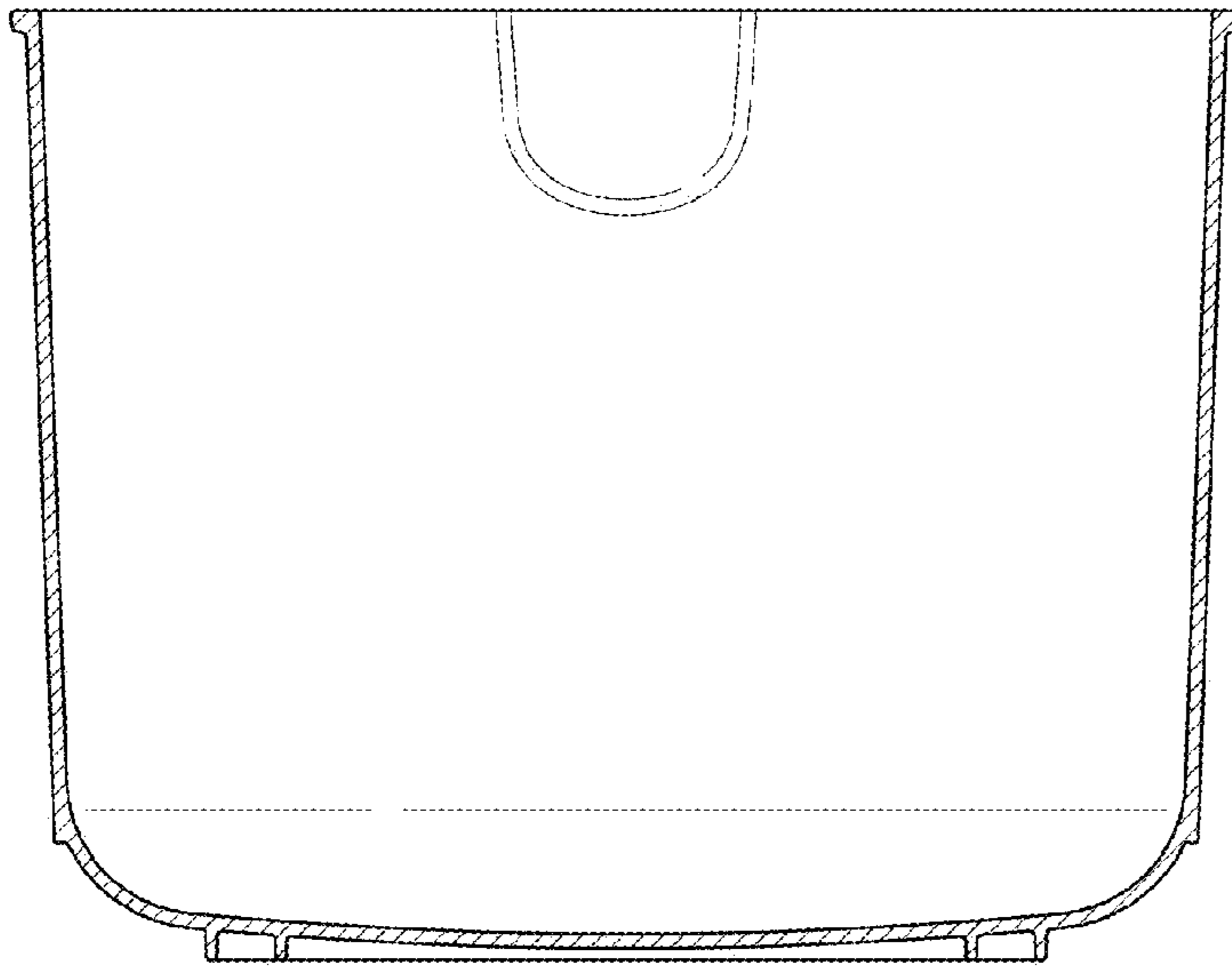


FIG. 9

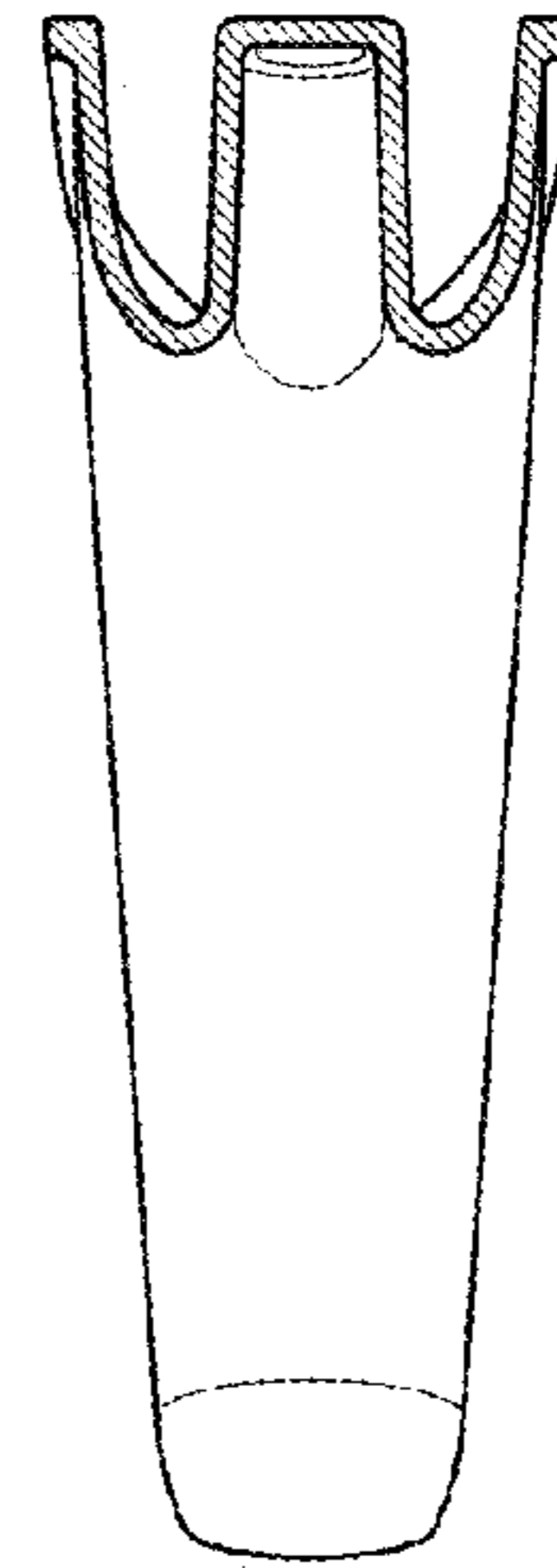


FIG. 11

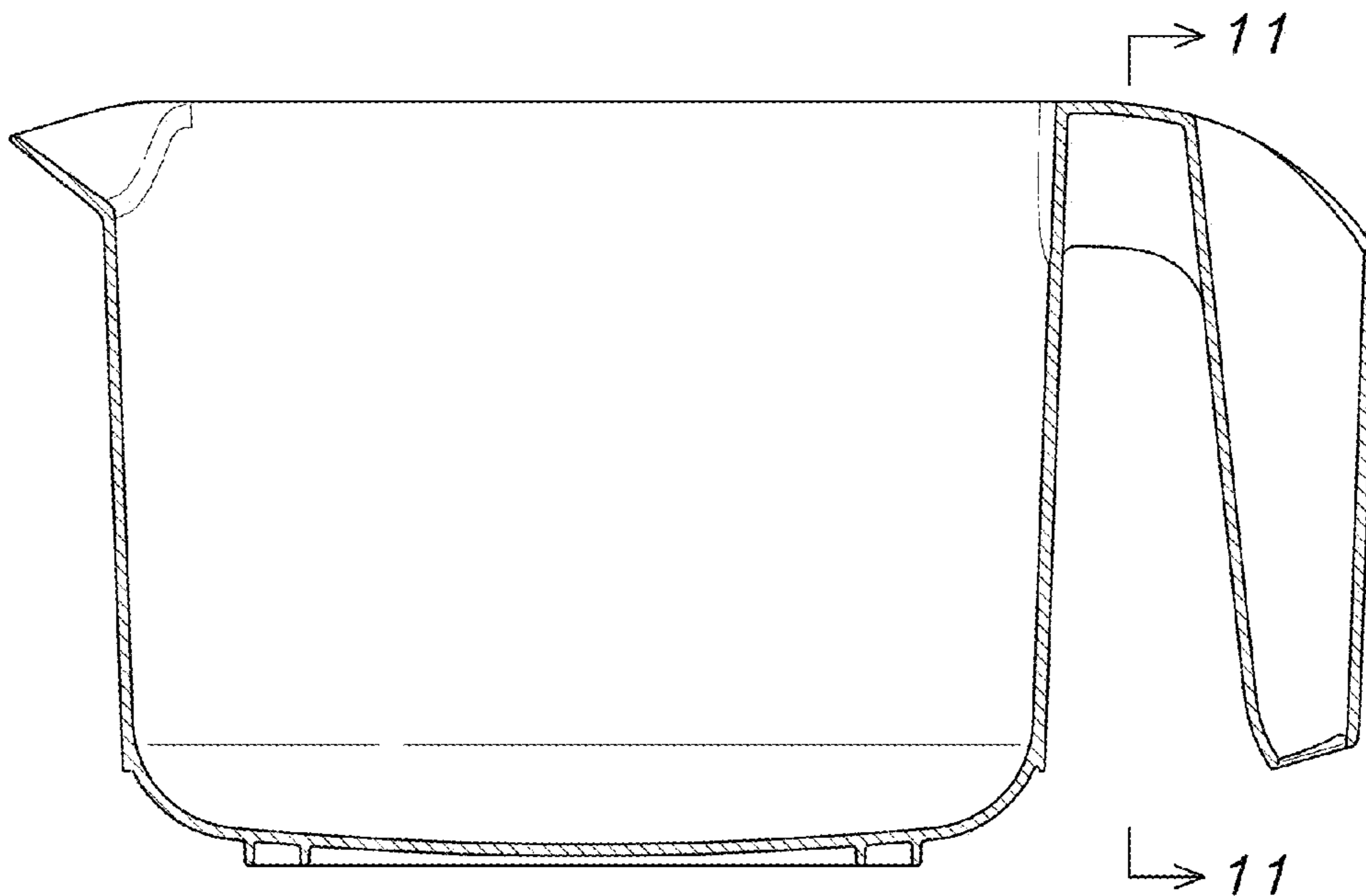


FIG. 10