



US00D737618S

(12) **United States Design Patent**
Kaloustian et al.

(10) **Patent No.:** **US D737,618 S**
(45) **Date of Patent:** **** Sep. 1, 2015**

(54) **CHAIR**

(71) Applicant: **Grand Rapids Chair Company**, Grand Rapids, MI (US)

(72) Inventors: **John M. Kaloustian**, Northville, MI (US); **Ryan E. Haase**, Grand Rapids, MI (US)

(73) Assignee: **Grand Rapids Chair Company**, Grand Rapids, MI (US)

(**) Term: **14 Years**

(21) Appl. No.: **29/515,469**

(22) Filed: **Jan. 23, 2015**

Related U.S. Application Data

(62) Division of application No. 29/457,431, filed on Jun. 10, 2013, now Pat. No. Des. 723,826.

(51) **LOC (10) Cl.** **06-01**

(52) **U.S. Cl.**
USPC **D6/716**

(58) **Field of Classification Search**
USPC D6/334–336, 371–373, 374, 375, 376, D6/379, 380, 716, 716.1, 716.2, 716.3, D6/716.4

CPC A47C 3/04; A47C 3/12; A47C 4/02; A47C 4/03; A47C 5/04; A47C 7/16; A47C 7/022; A47C 7/40

See application file for complete search history.

(56) **References Cited**

U.S. PATENT DOCUMENTS

D193,657 S 9/1962 Van Buren

D197,643 S * 3/1964 Kramer D6/366
D202,549 S * 10/1965 Kramer D6/375
D202,550 S 10/1965 Kramer
D223,244 S 4/1972 Prashker

(Continued)

Primary Examiner — Mimosa De

(74) *Attorney, Agent, or Firm* — Gardner, Linn, Burkhardt & Flory, LLP

(57) **CLAIM**

The ornamental design for the chair, substantially as shown and described.

DESCRIPTION

FIG. 1 is a perspective view of a chair, according to a first embodiment of the present invention;

FIG. 2 is a front elevation view of the chair of FIG. 1;

FIG. 3 is a left-side elevation view of the chair of FIG. 1;

FIG. 4 is a rear elevation view of the chair of FIG. 1;

FIG. 5 is a right-side elevation view of the chair of FIG. 1;

FIG. 6 is a top plan view of the chair of FIG. 1;

FIG. 7 is a bottom plan view of the chair of FIG. 1;

FIG. 8 is a perspective view of the chair, according to a second embodiment of the present invention;

FIG. 9 is a front elevation view of the chair of FIG. 8;

FIG. 10 is a left-side elevation view of the chair of FIG. 8;

FIG. 11 is a rear elevation view of the chair of FIG. 8;

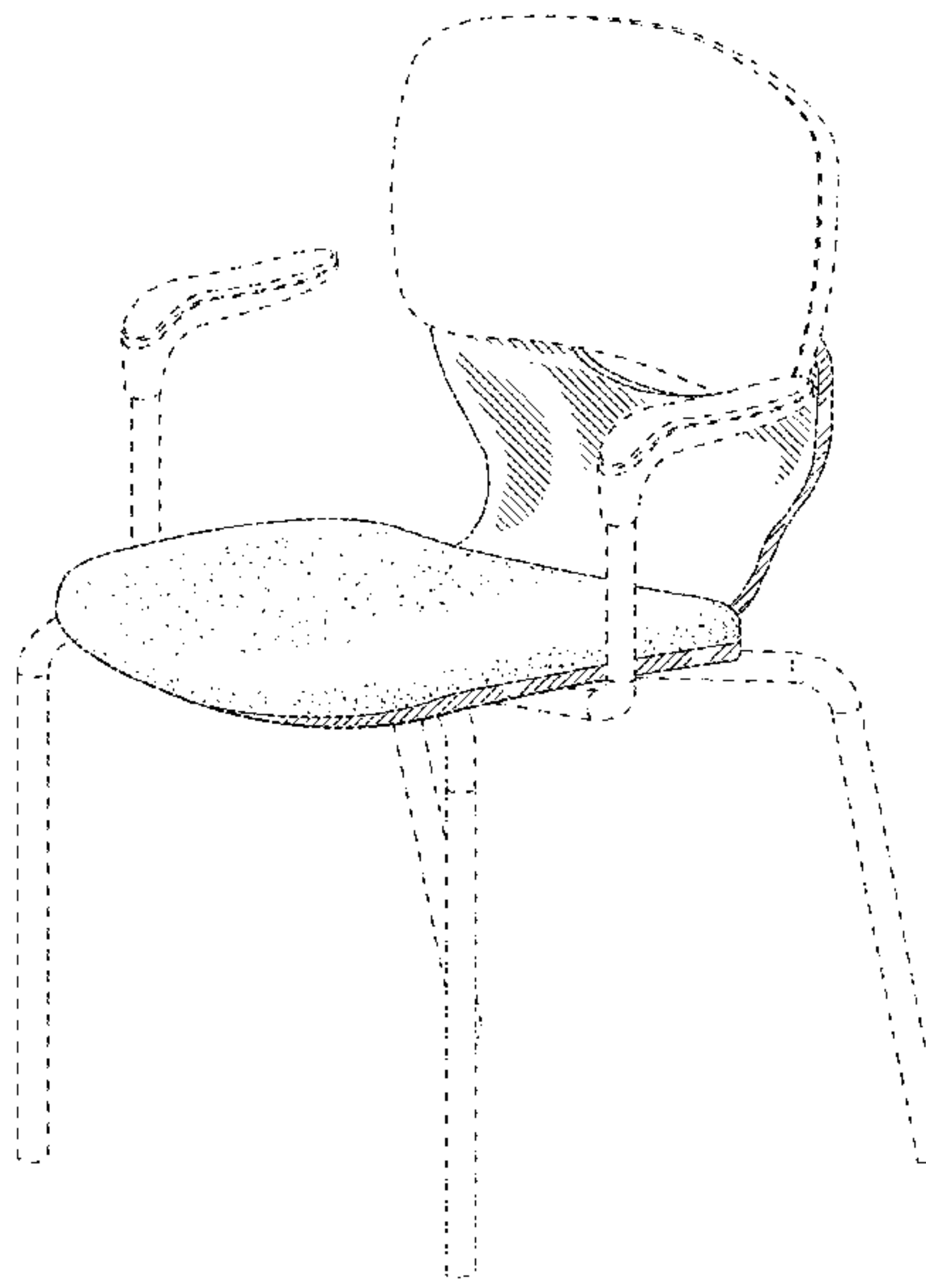
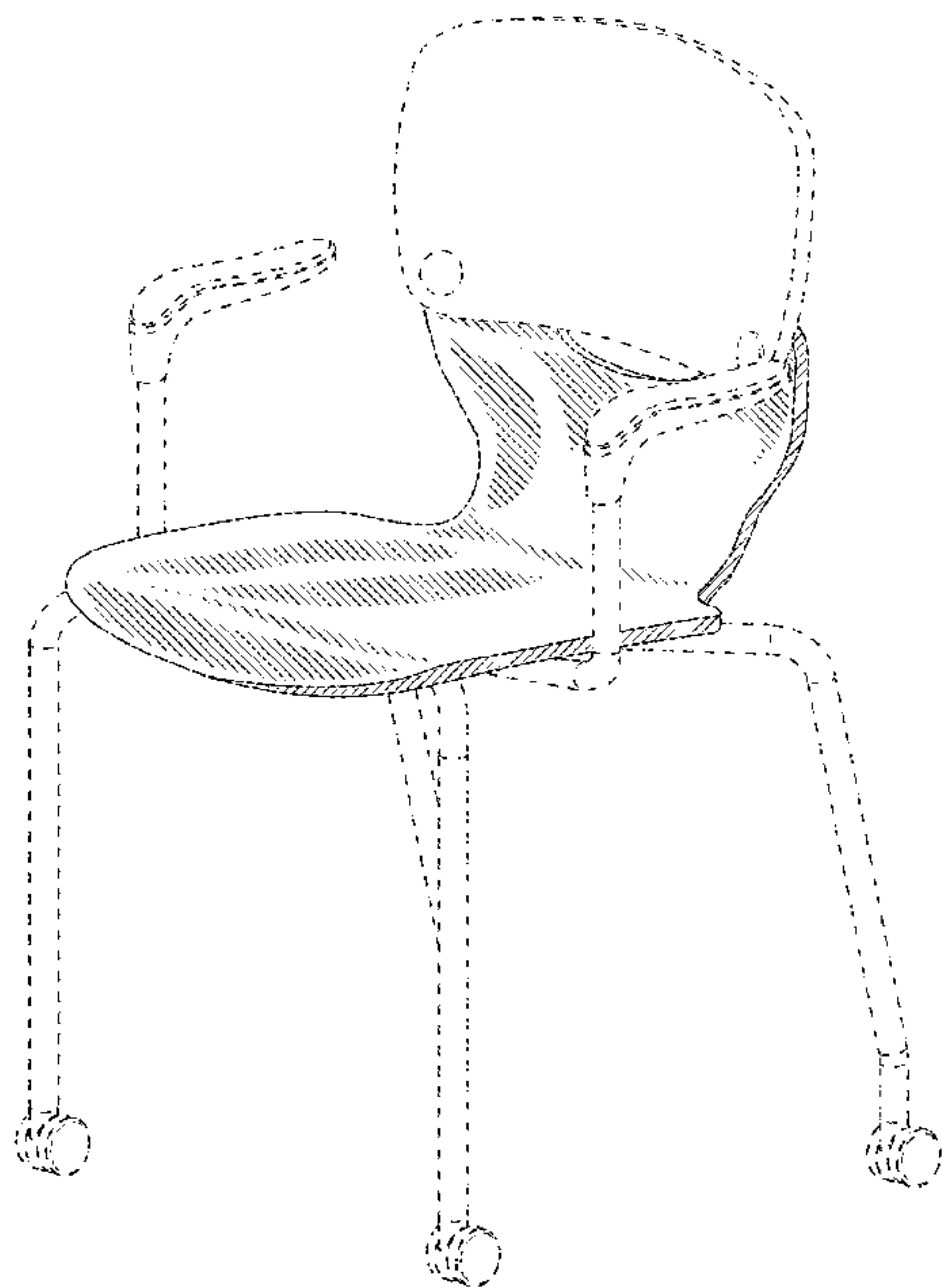
FIG. 12 is a right-side elevation view of the chair of FIG. 8;

FIG. 13 is a top plan view of the chair of FIG. 8; and,

FIG. 14 is a bottom plan view of the chair of FIG. 8.

The broken lines shown are included for the purpose of illustrating environment of the design and form no part of the claimed design.

1 Claim, 12 Drawing Sheets



(56)

References Cited

U.S. PATENT DOCUMENTS

D239,988 S	5/1976	Dittert		D572,049 S *	7/2008	Kerr	D6/716
D240,780 S	8/1976	Dittert		D572,928 S	7/2008	Rittfeldt et al.		
4,032,190 A	6/1977	Mueller-Deisig et al.		D582,692 S	12/2008	Kerr		
D255,183 S *	6/1980	Locher	D597,757 S	8/2009	Barbieri		
D255,293 S *	6/1980	Locher	D597,758 S	8/2009	Barrett et al.		
D268,799 S	5/1983	Feldberg		D609,036 S	2/2010	Miller et al.		
D272,393 S	1/1984	Klier		D611,740 S *	3/2010	Koh	D6/716
D279,155 S	6/1985	Aronowitz et al.		D643,652 S	8/2011	Piretti		
D307,221 S *	4/1990	Mudge	D644,849 S	9/2011	Sienkowski et al.		
D339,940 S	10/1993	Balderi et al.		D646,087 S	10/2011	Miller et al.		
D346,911 S	5/1994	Lucci et al.		D648,566 S	11/2011	Sienkowski et al.		
D372,132 S	7/1996	Infanti		8,112,868 B2	2/2012	Miller		
D375,848 S	11/1996	Grosfillex		D659,424 S	5/2012	Gramza et al.		
D381,828 S	8/1997	Kemnitzer		D659,444 S *	5/2012	James	D6/716
D422,806 S	4/2000	Neil		D663,131 S	7/2012	Barefoot et al.		
D512,236 S *	12/2005	Preisig	D672,975 S	12/2012	Rashid		
D512,238 S *	12/2005	Chen	D683,558 S *	6/2013	Rada et al.	D6/716
D524,071 S	7/2006	Brooks		D686,836 S	7/2013	Mascetti et al.		
D531,420 S	11/2006	Kita		D701,719 S	4/2014	Haase et al.		
D544,228 S *	6/2007	Bartlmae	D707,461 S	6/2014	Rada et al.		
D559,570 S	1/2008	Higgs et al.		D723,826 S *	3/2015	Kaloustian et al.	D6/375
D566,979 S	4/2008	Cox et al.		2009/0212607 A1	8/2009	Kaloustian et al.		
				2011/0278889 A1	11/2011	Sienkowski et al.		
				2014/0361593 A1	12/2014	Kaloustian et al.		

* cited by examiner

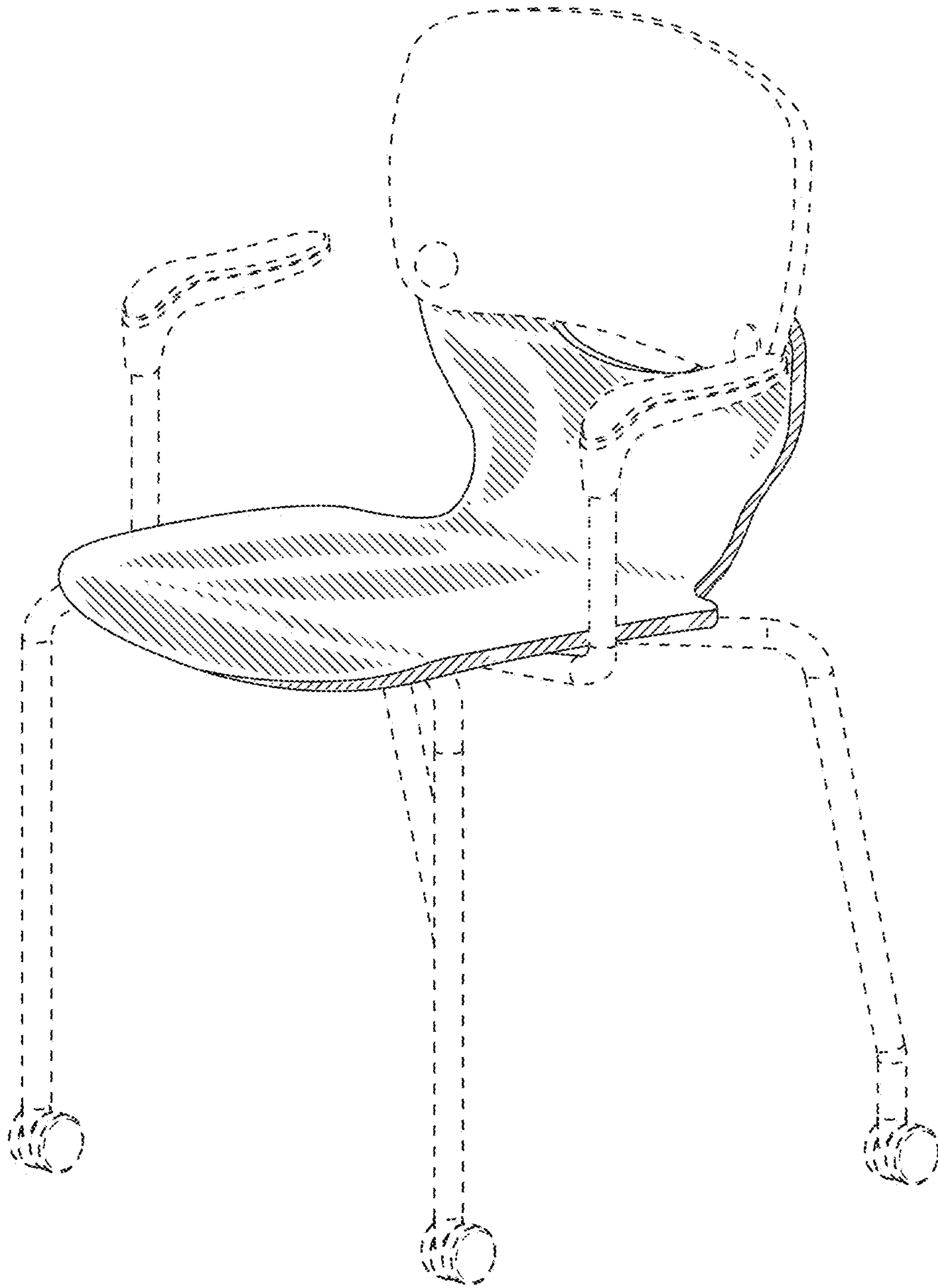


FIG. 1

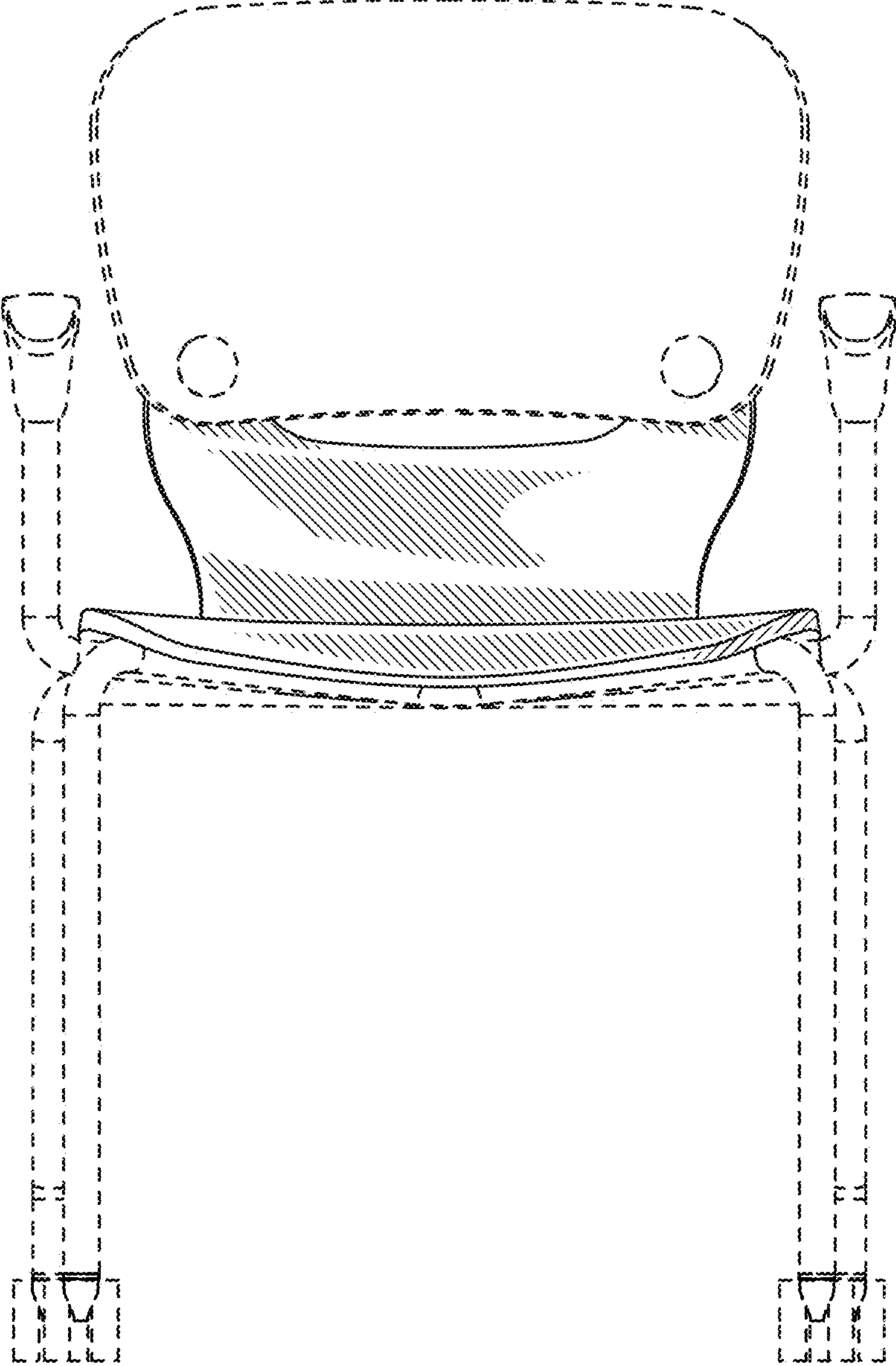


FIG. 2

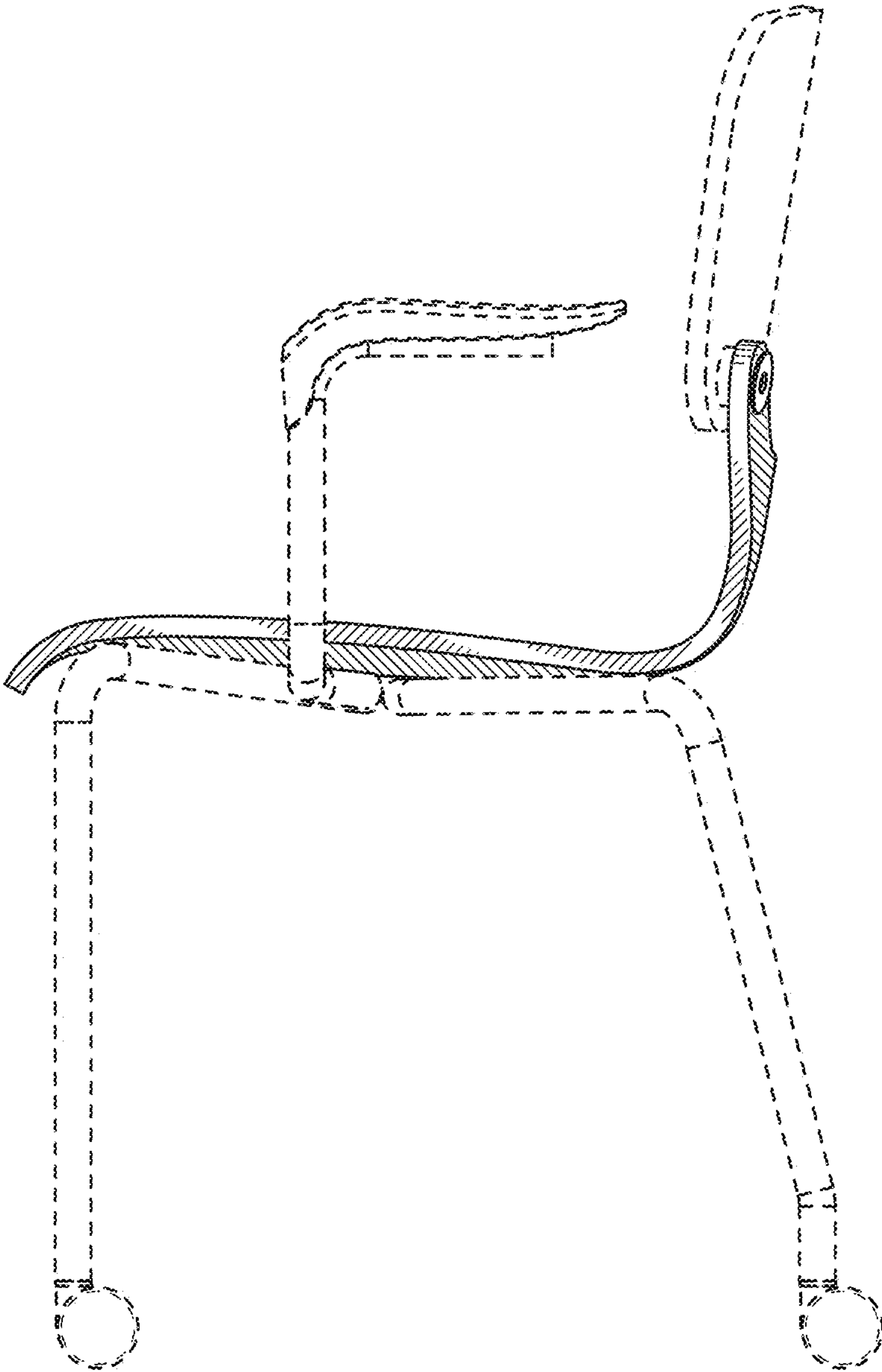


FIG. 3

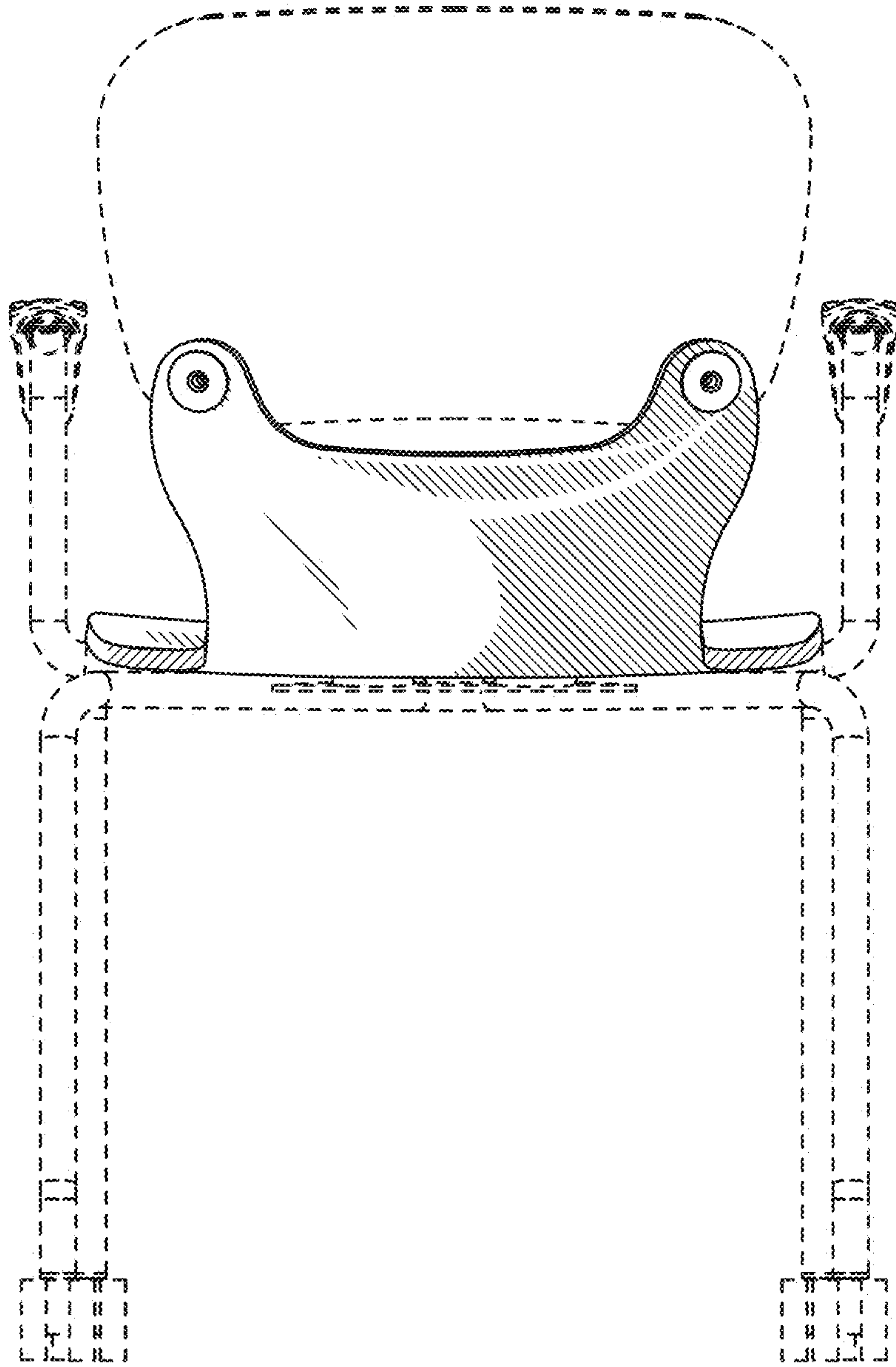


FIG. 4

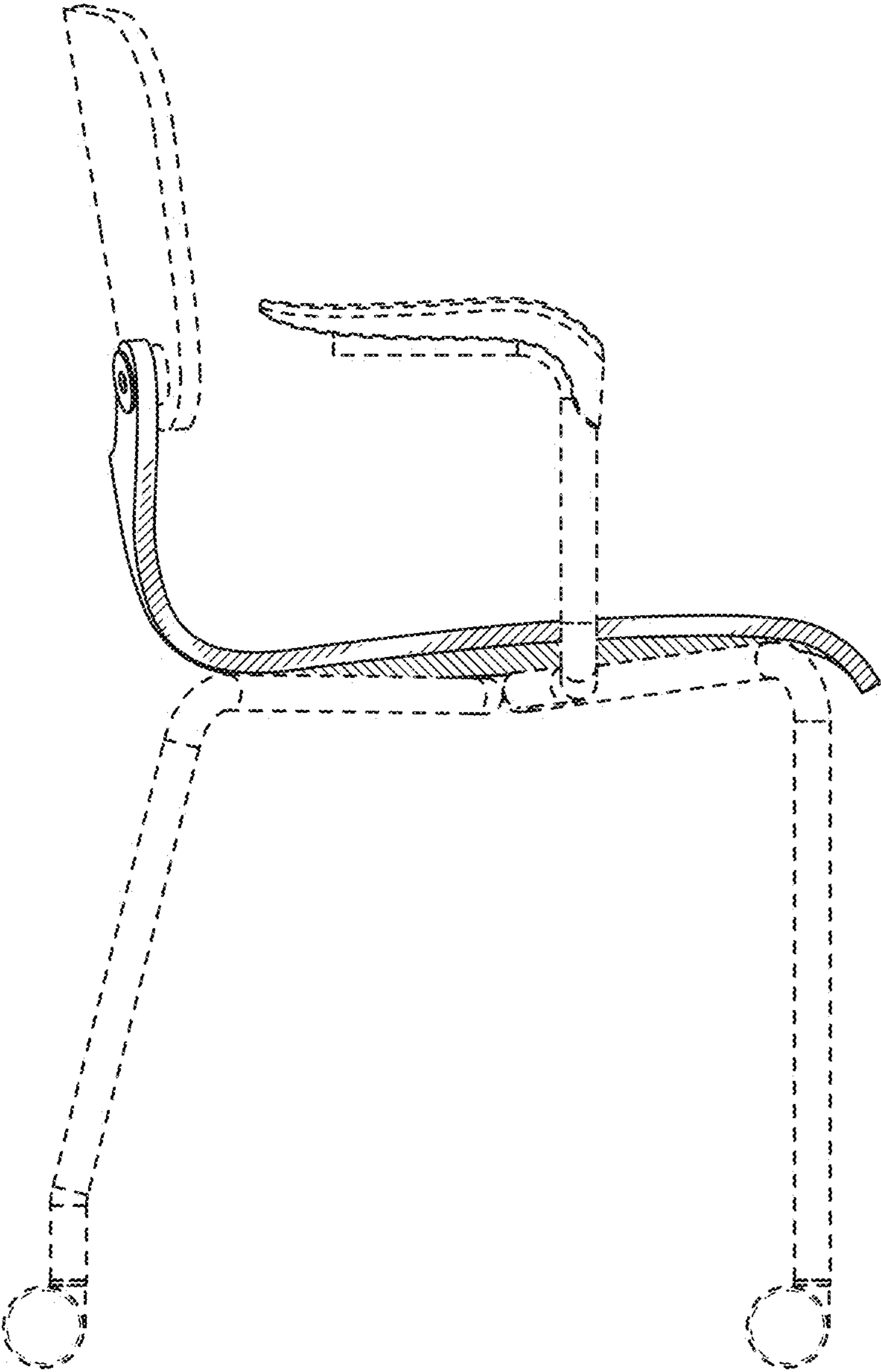


FIG. 5

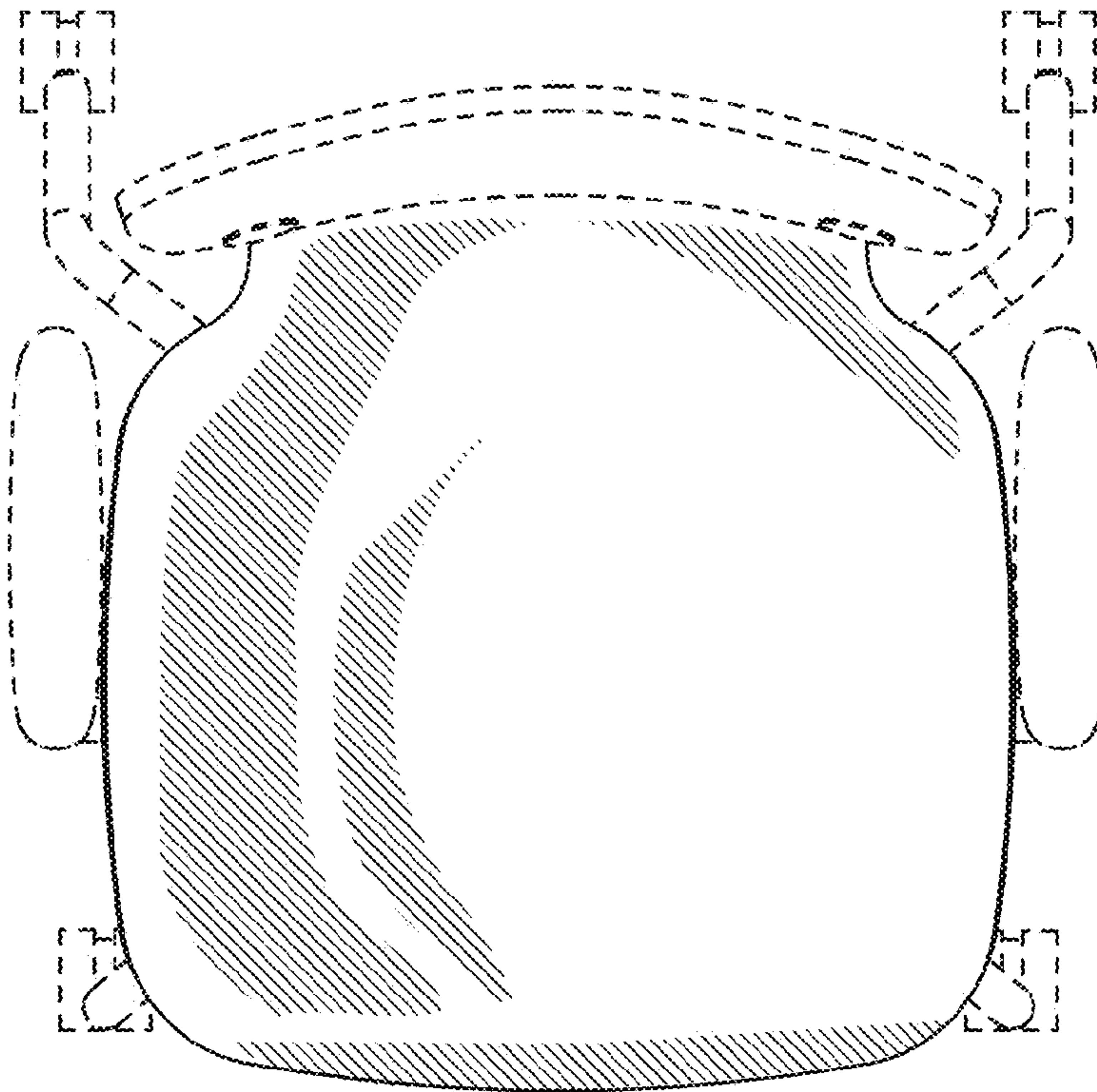


FIG. 6

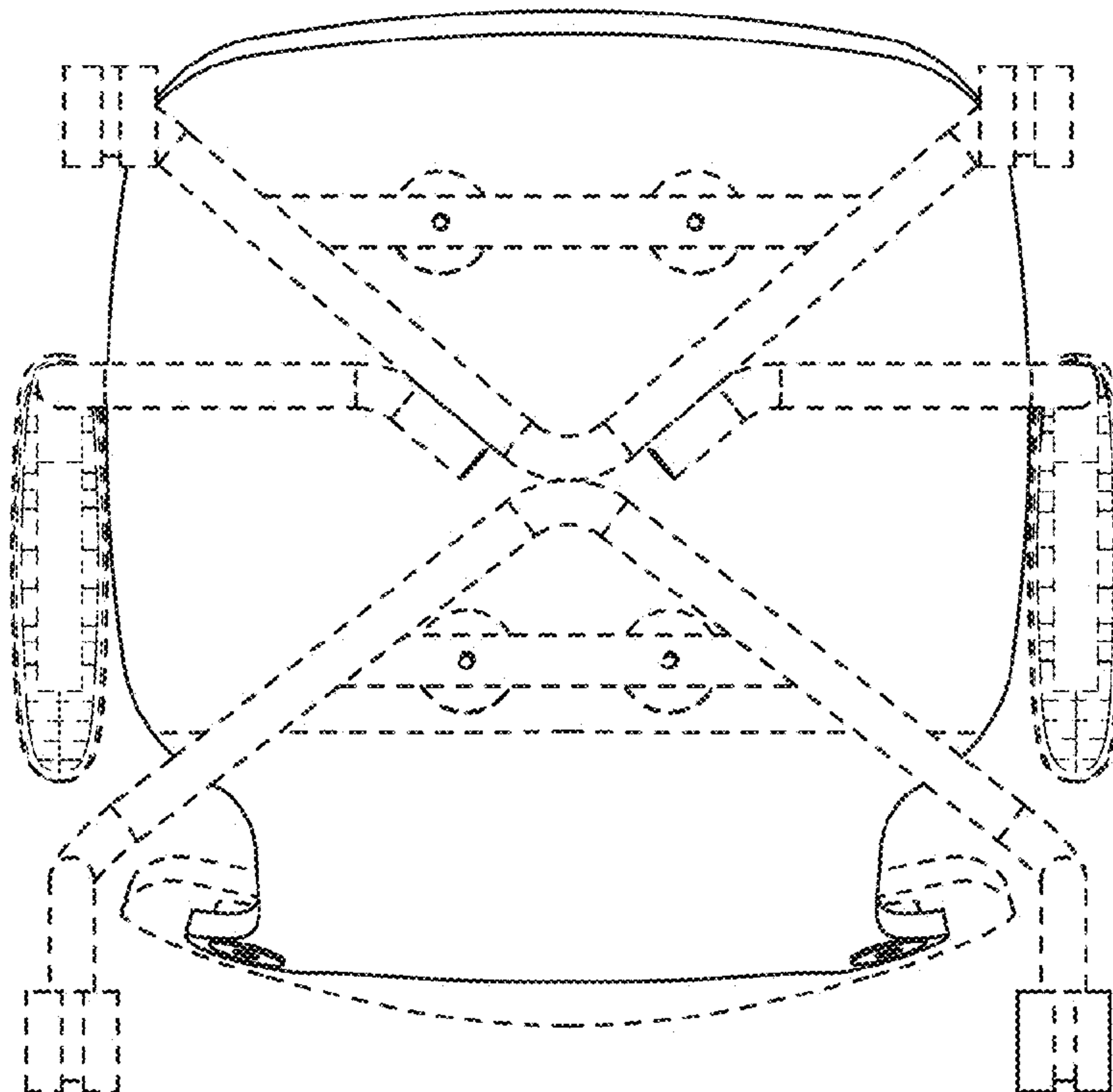


FIG. 7

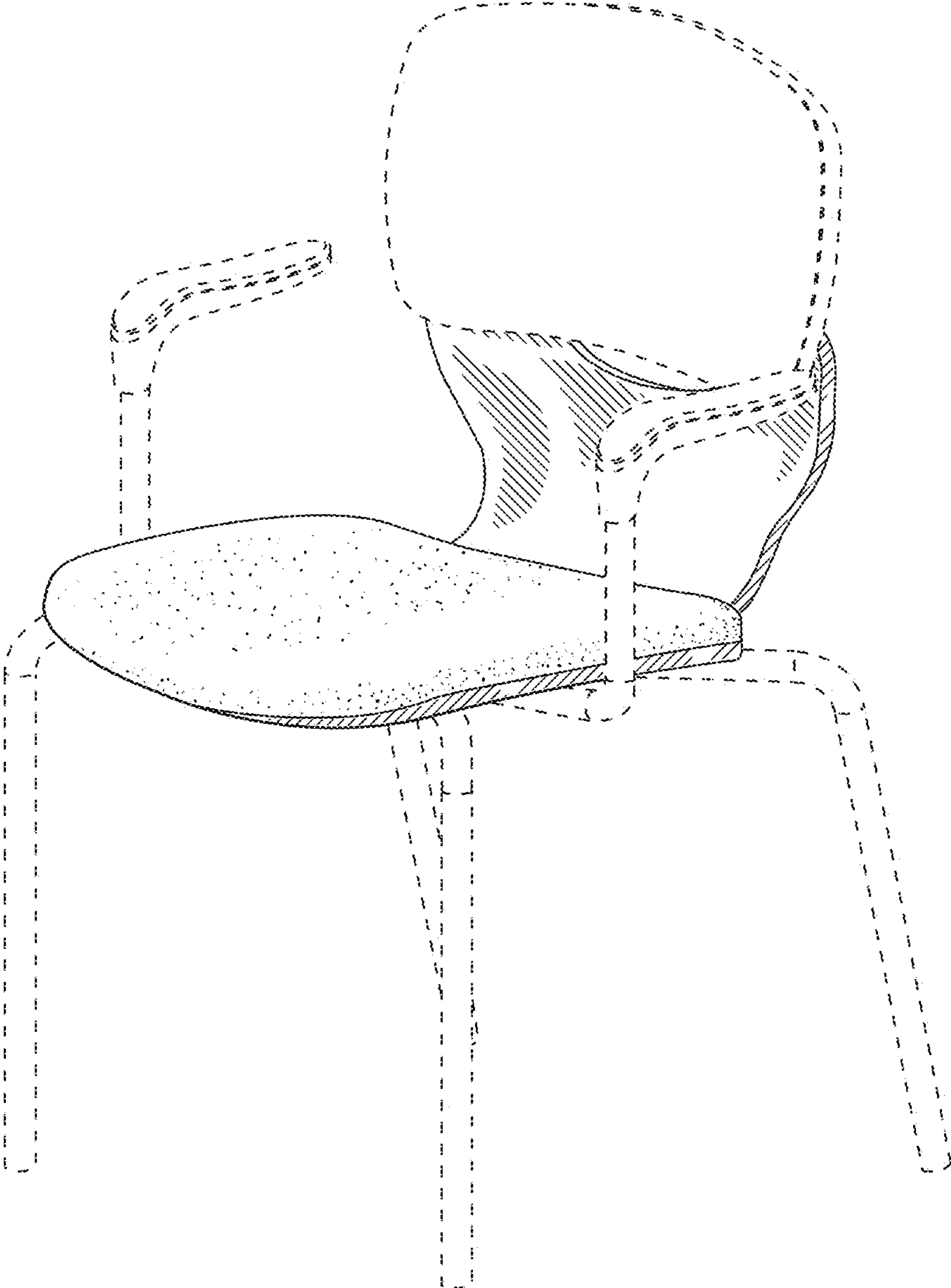


FIG. 8

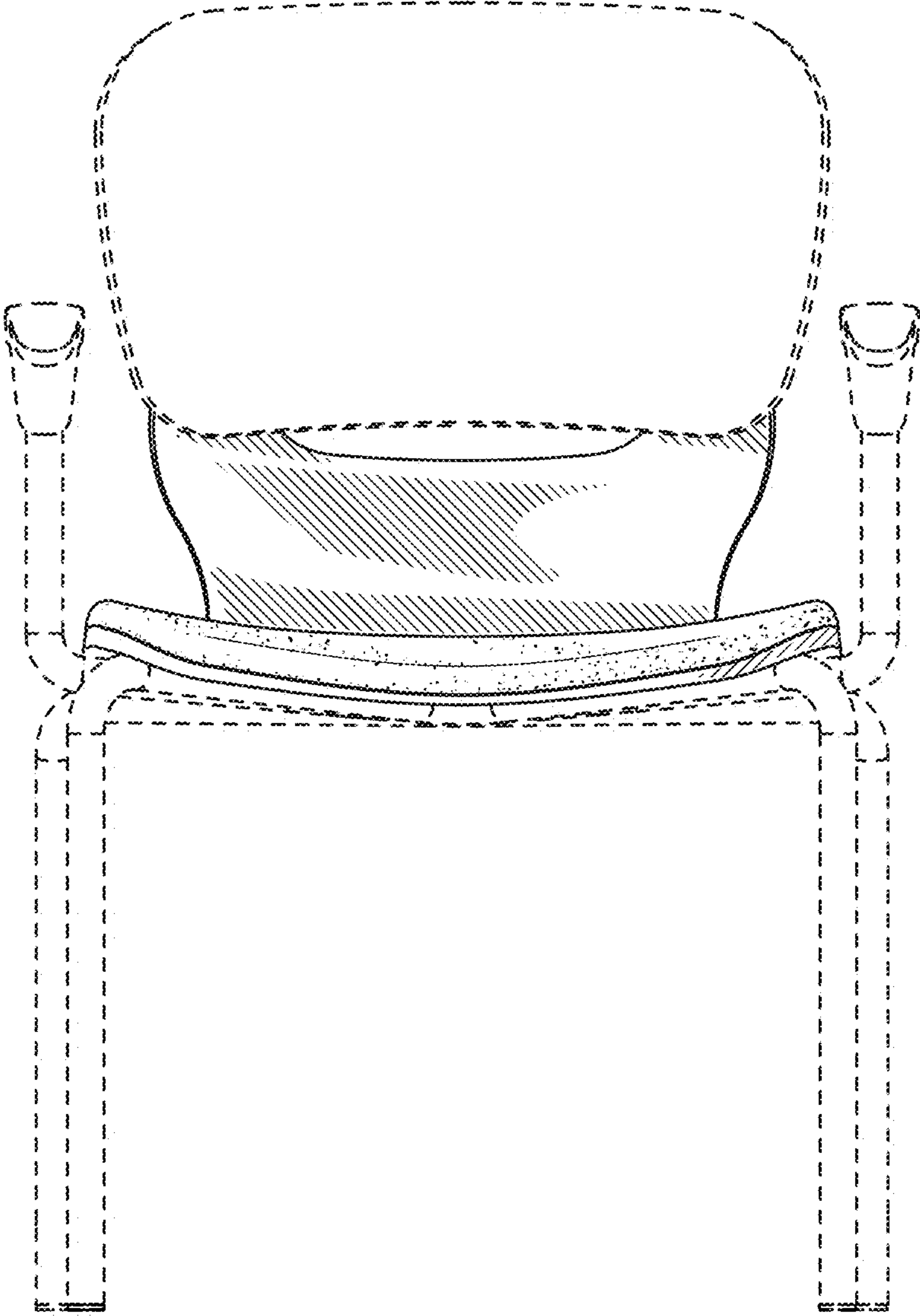


FIG. 9

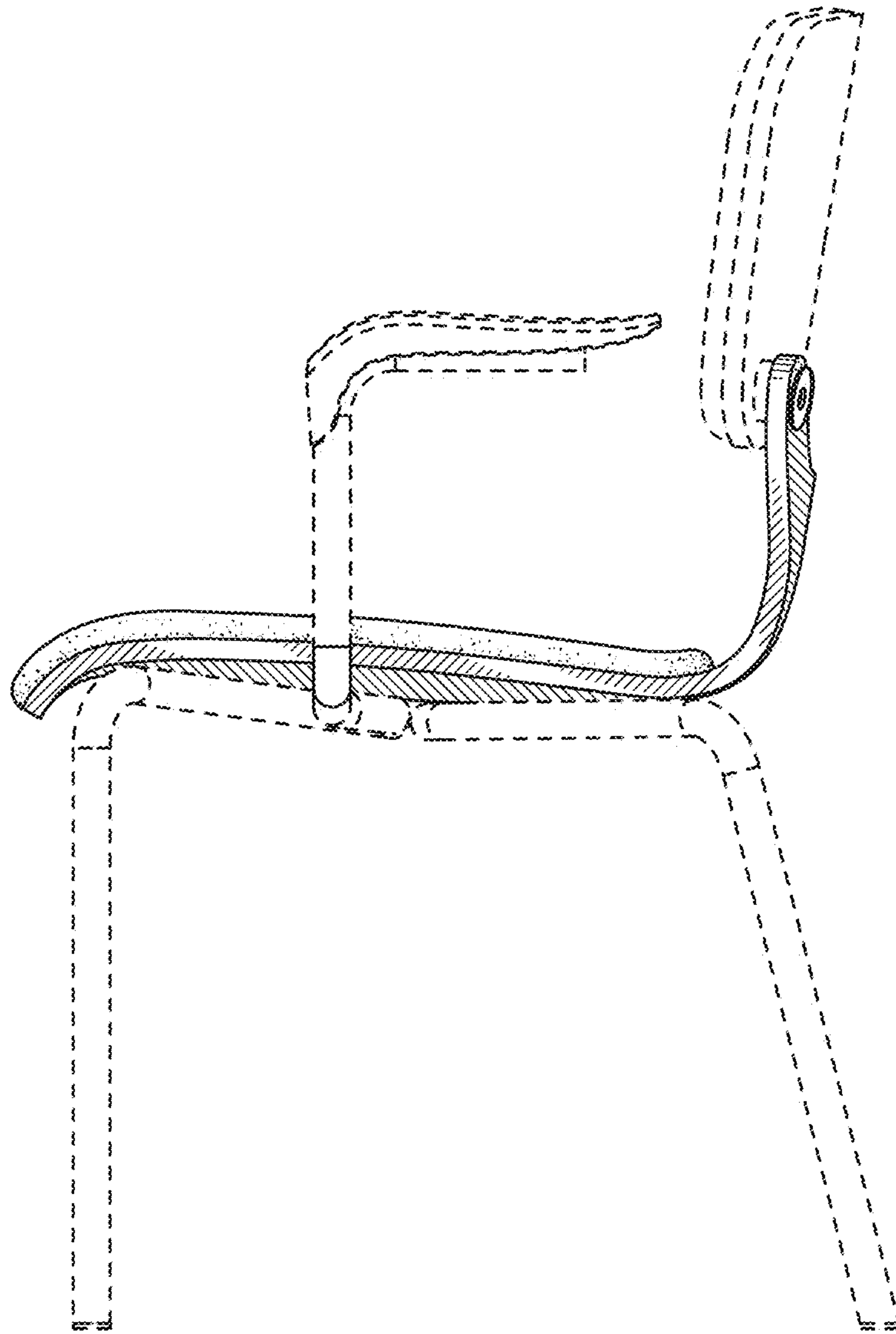


FIG. 10

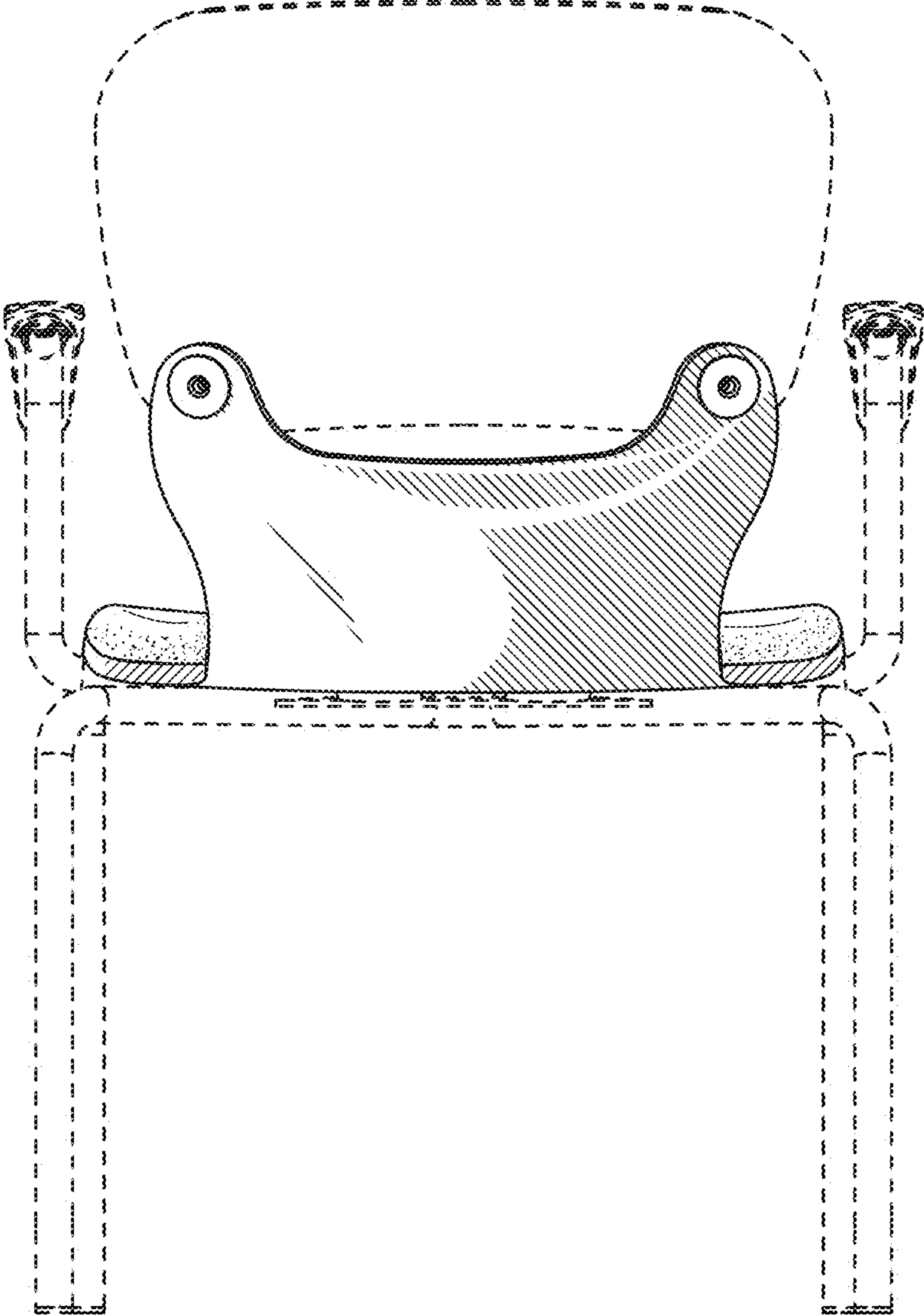


FIG. 11

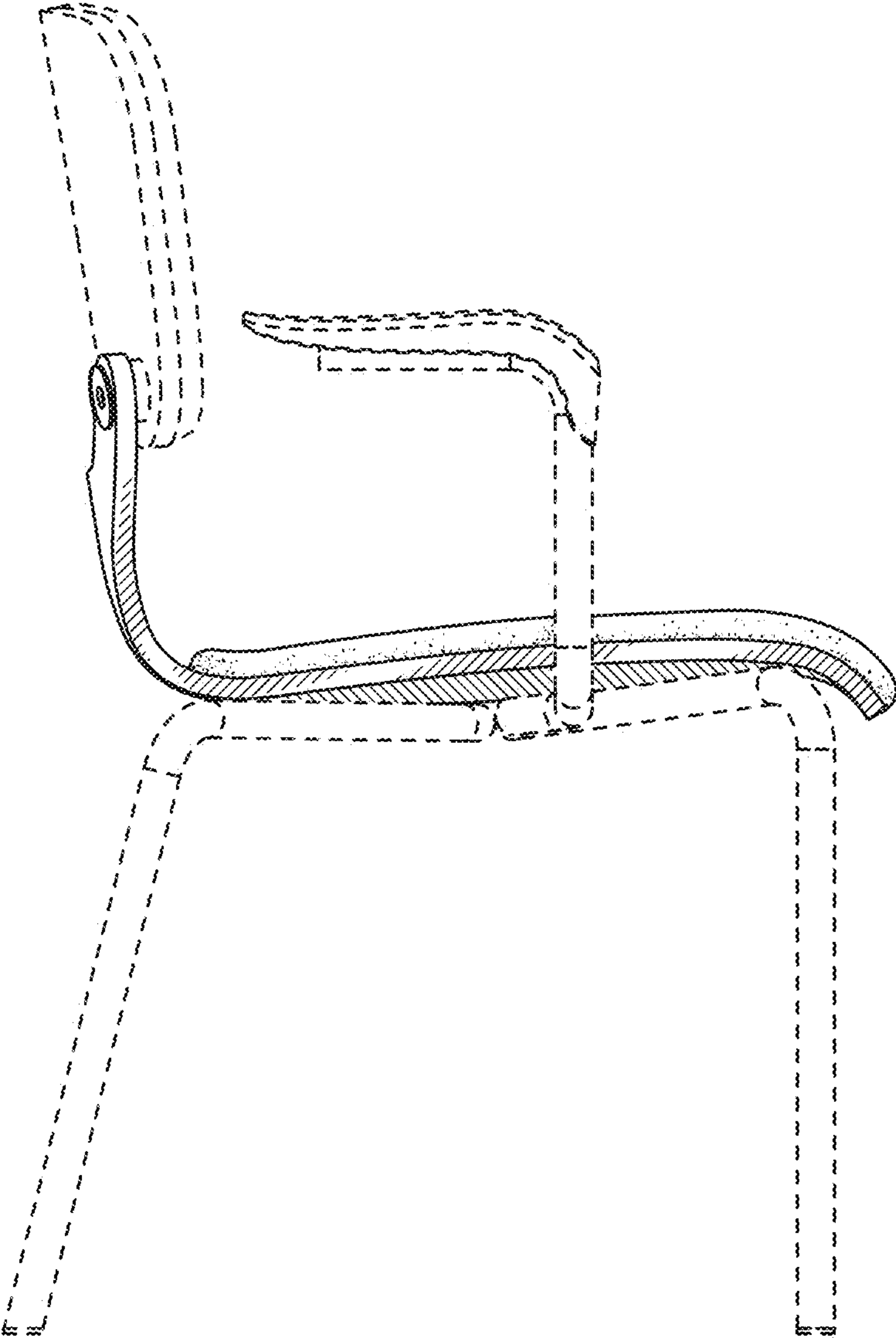


FIG. 12

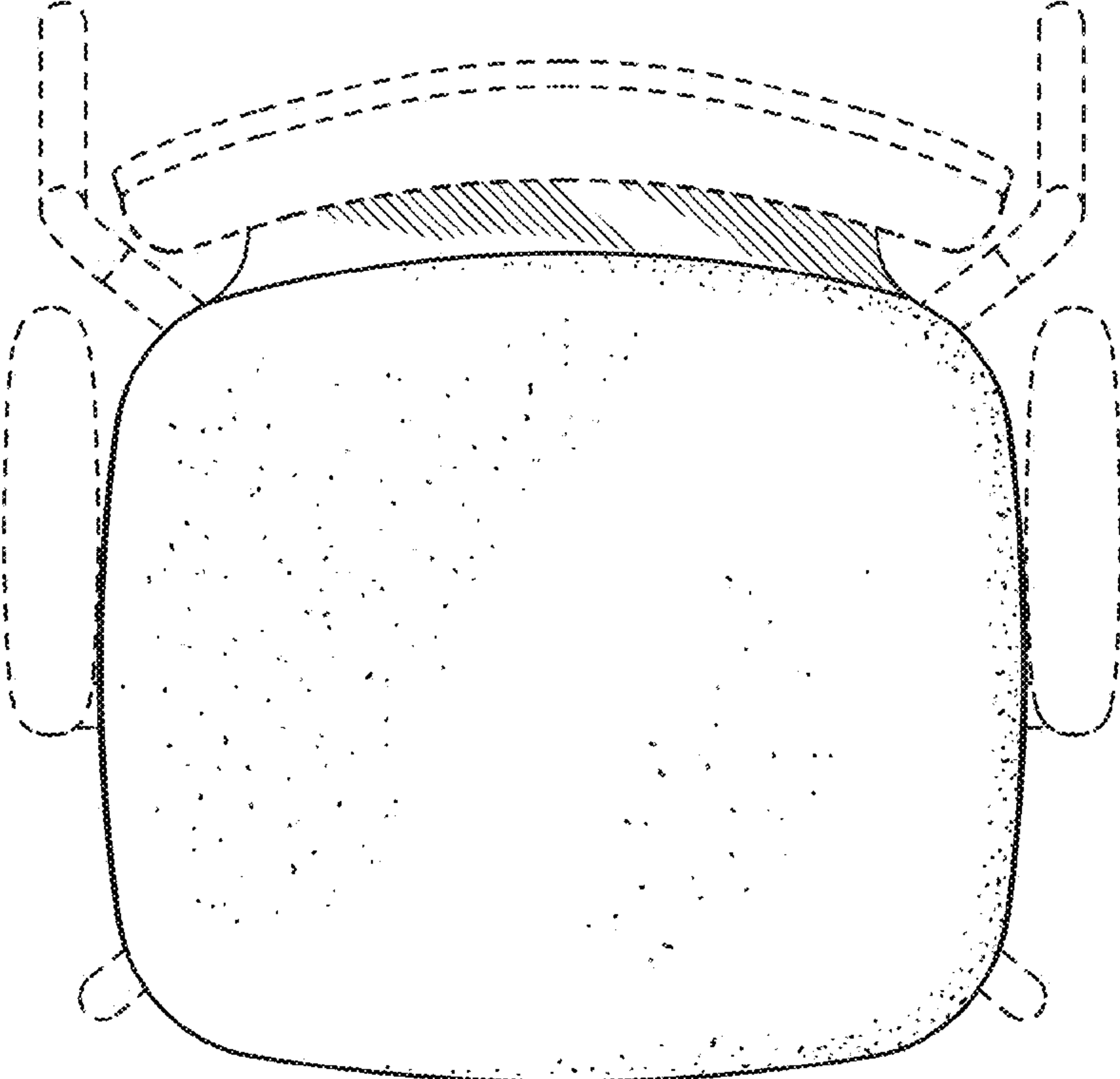


FIG. 13

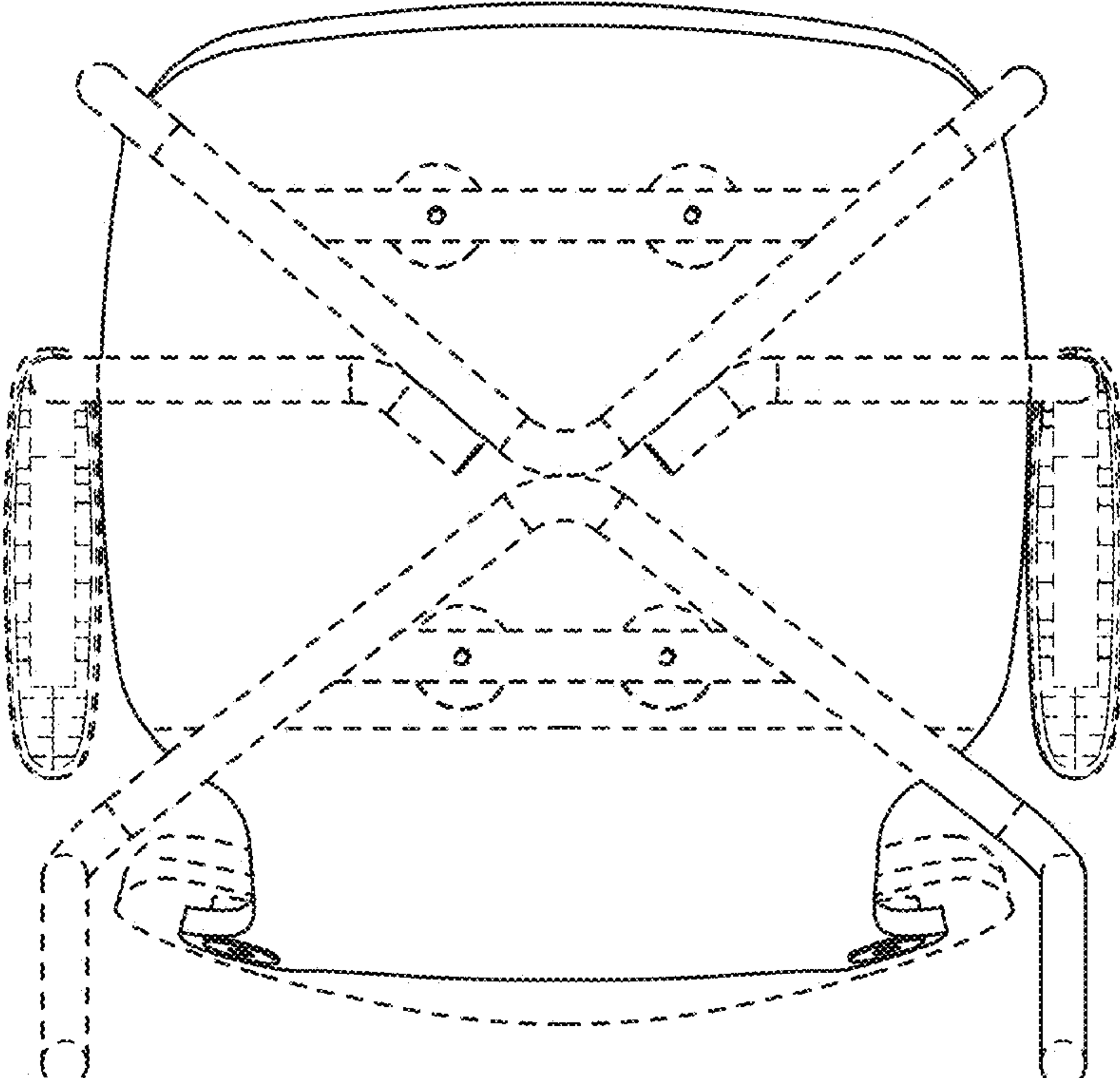


FIG. 14