



US00D737616S

(12) **United States Design Patent**
Mountz et al.

(10) **Patent No.:** **US D737,616 S**
(45) **Date of Patent:** **** Sep. 1, 2015**

(54) **SUPPORT FRAME**

(71) Applicant: **Wonderland Nurserygoods Company Limited**, Kwai Chung, N.T. (HK)

(72) Inventors: **Jonathan K. Mountz**, Birdsboro, PA (US); **William Bellows**, Wyomissing, PA (US)

(73) Assignee: **WONDERLAND NURSERYGOODS COMPANY LIMITED**, Kwai Chung, N.T. (HK)

(**) Term: **14 Years**

(21) Appl. No.: **29/499,259**

(22) Filed: **Aug. 13, 2014**

(51) **LOC (10) Cl.** **06-01**

(52) **U.S. Cl.**
USPC **D6/708.16**

(58) **Field of Classification Search**
USPC D6/333, 334, 335, 336, 344, 347, 375, D6/715, 708.16; D21/412, 688
CPC A47D 13/00; A47D 13/10; A47D 13/105; A47D 13/107; A47D 9/02; A63G 9/16
See application file for complete search history.

(56) **References Cited**

U.S. PATENT DOCUMENTS

D58,163 S * 6/1921 Reuther D21/412
7,563,170 B2 * 7/2009 Bellows et al. A47D 13/107
7,770,971 B2 * 8/2010 Bellows et al. A47D 13/10
7,824,273 B2 * 11/2010 Clapper et al. A47D 9/02
7,918,742 B2 * 4/2011 Clapper et al. A47D 9/02
7,938,731 B2 * 5/2011 Papageorge et al. ... A47D 13/10
8,146,989 B2 * 4/2012 Godiska et al. A47D 9/02

D660,026 S * 5/2012 Shi D6/347
8,187,111 B2 * 5/2012 Velderman et al. A63G 9/16
D662,737 S * 7/2012 Yu D6/708.16
D692,681 S * 11/2013 Robbins et al. D6/347
8,876,617 B2 * 11/2014 Robbins et al. A47D 13/105
2008/0136236 A1 * 6/2008 Kincaid et al. A47D 9/02

* cited by examiner

Primary Examiner — Mimoso De

(74) *Attorney, Agent, or Firm* — Bacon & Thomas, PLLC

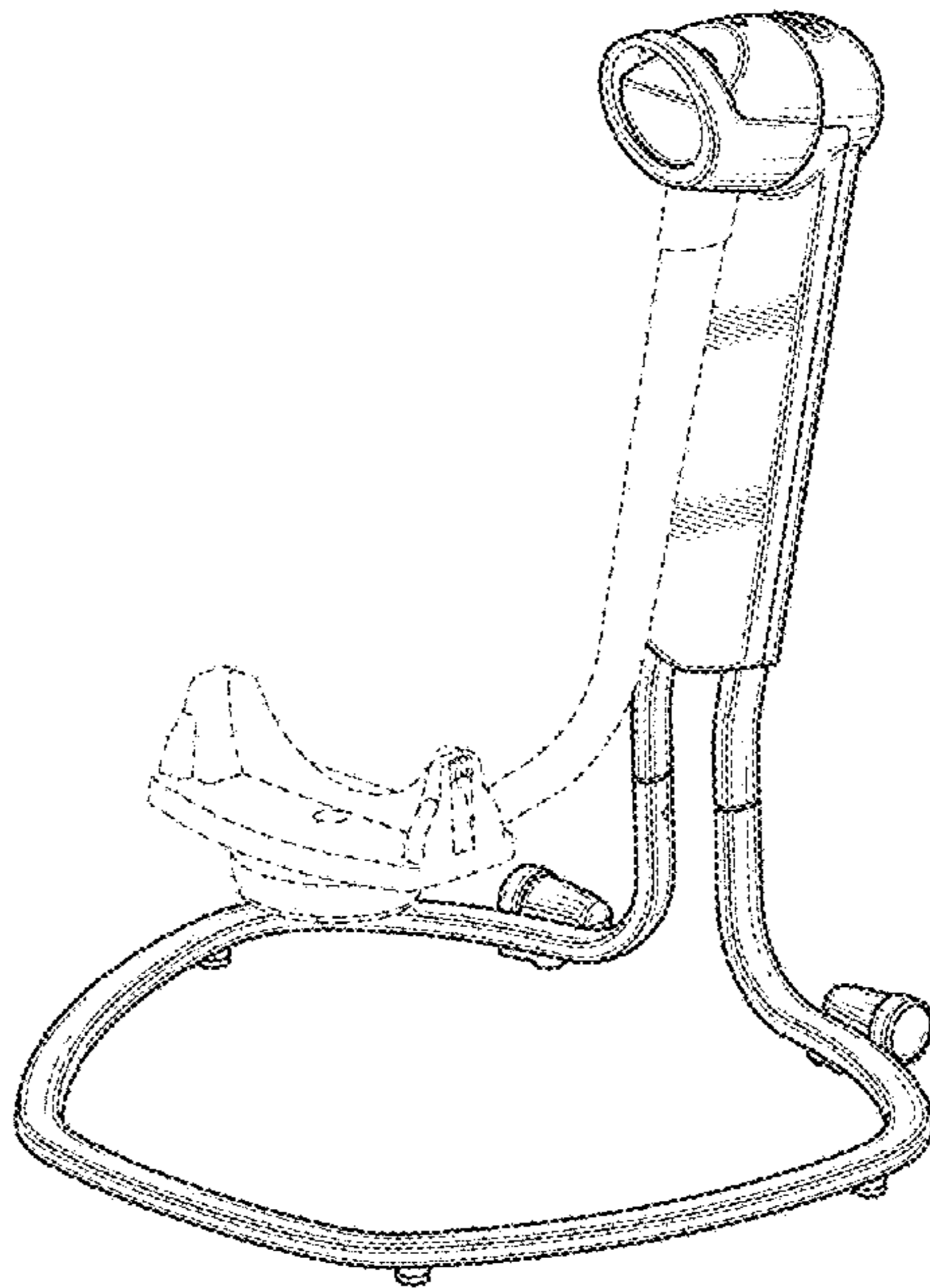
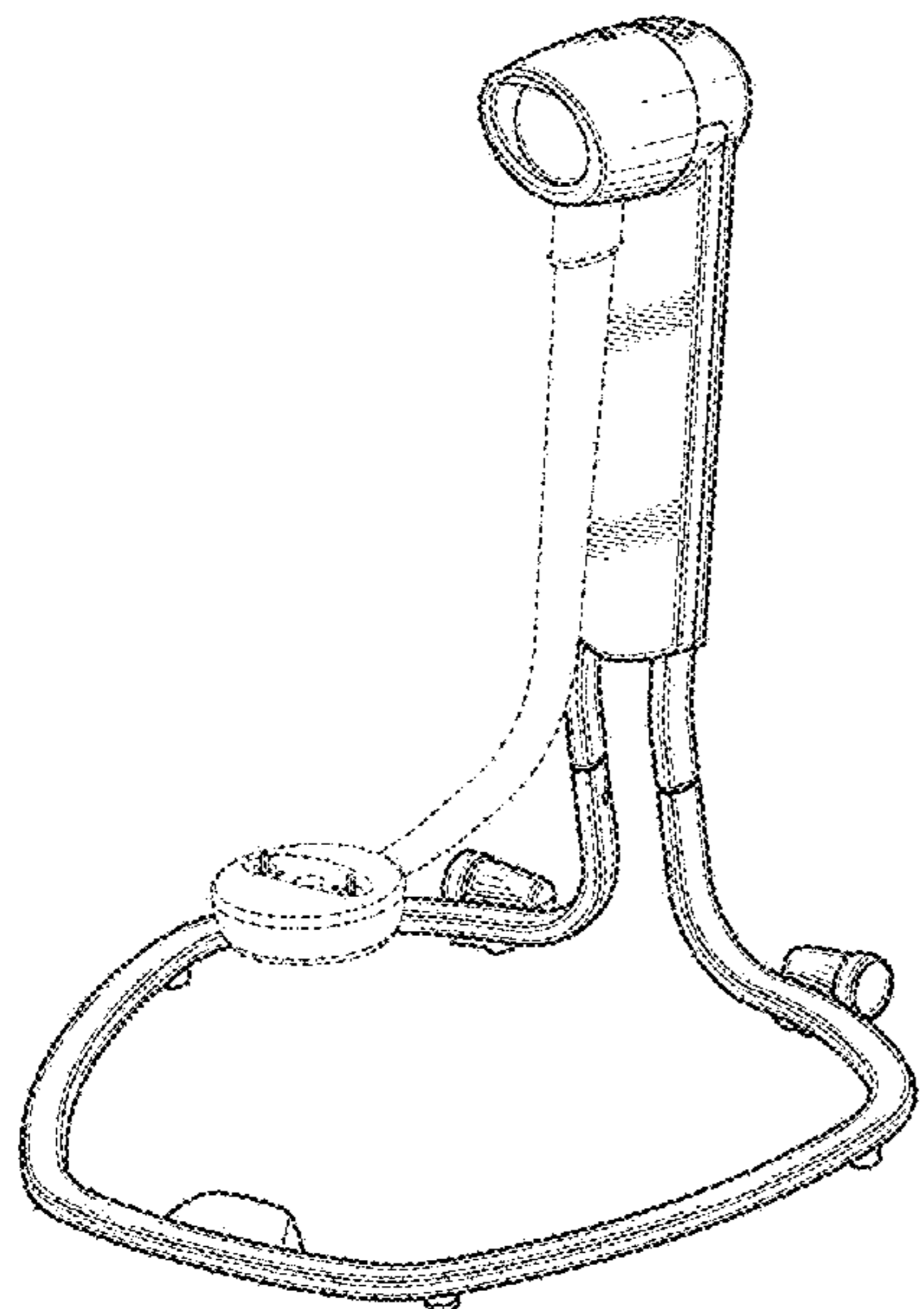
(57) **CLAIM**

The ornamental design for a support frame, as shown and described.

DESCRIPTION

FIG. 1 is a perspective view of a support frame in accordance with the first embodiment of our new design;
FIG. 2 is a front view of FIG. 1;
FIG. 3 is a rear view of FIG. 1;
FIG. 4 is a top view of FIG. 1;
FIG. 5 is a bottom view of FIG. 1;
FIG. 6 is a left side view of FIG. 1;
FIG. 7 is a right side view of FIG. 1;
FIG. 8 is a perspective view of a support frame in accordance with the second embodiment of our new design;
FIG. 9 is a front view of FIG. 8;
FIG. 10 is a rear view of FIG. 8;
FIG. 11 is a top view of FIG. 8;
FIG. 12 is a bottom view of FIG. 8;
FIG. 13 is a left side view of FIG. 8; and,
FIG. 14 is a right side view of FIG. 8.
The broken lines are environmental purposes only and form no part of the claimed design.

1 Claim, 8 Drawing Sheets



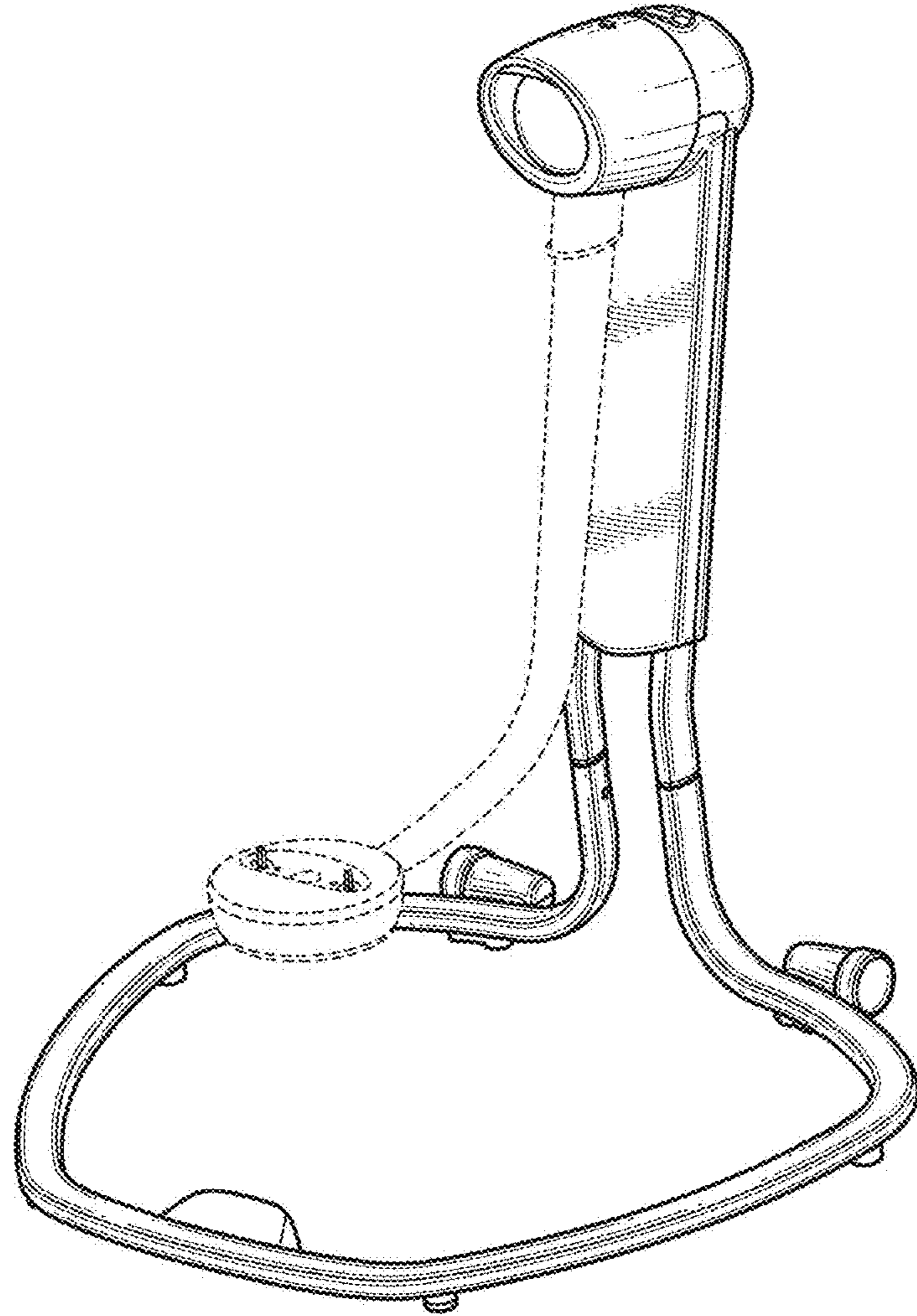


Fig. 1

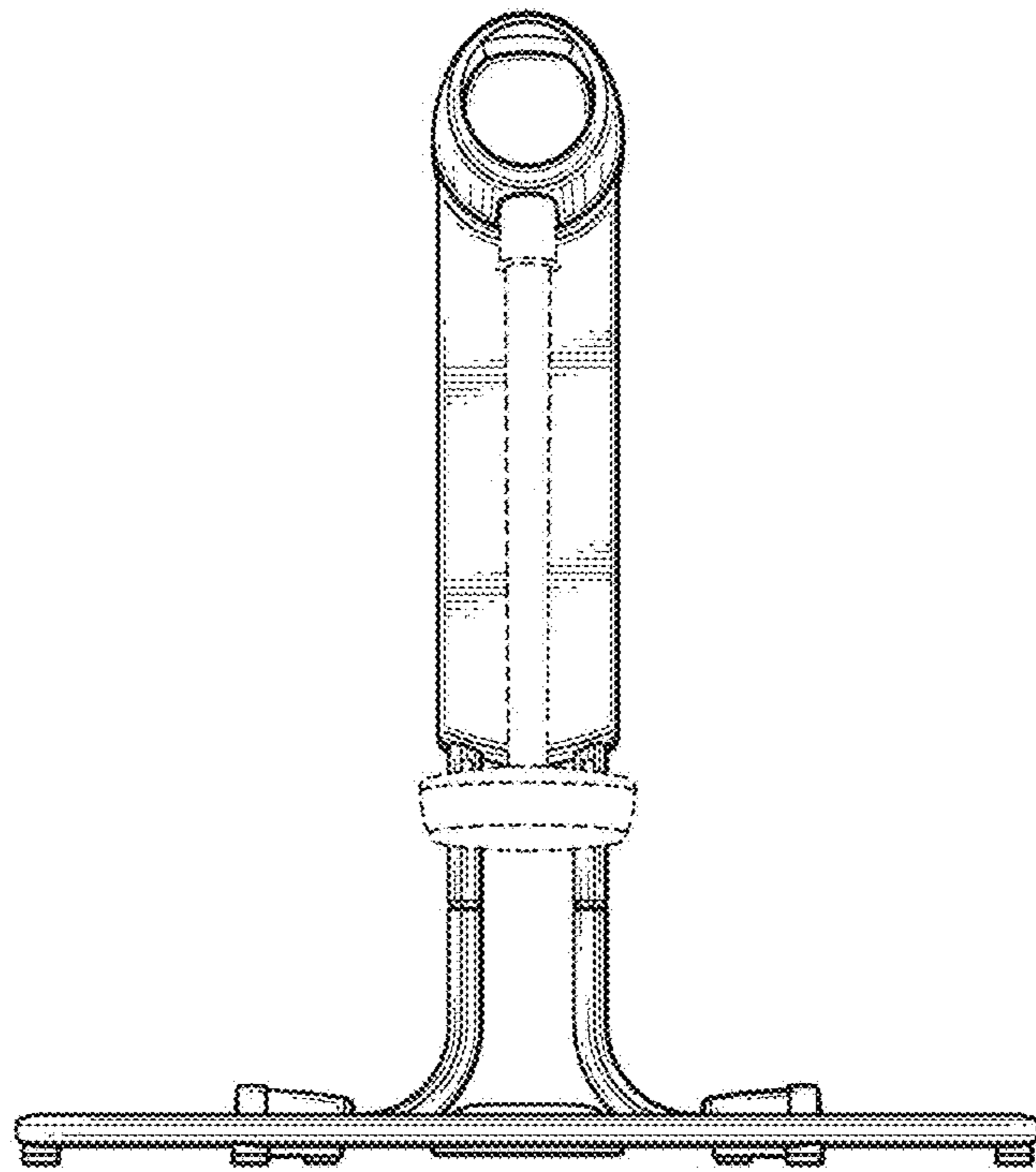


Fig. 2

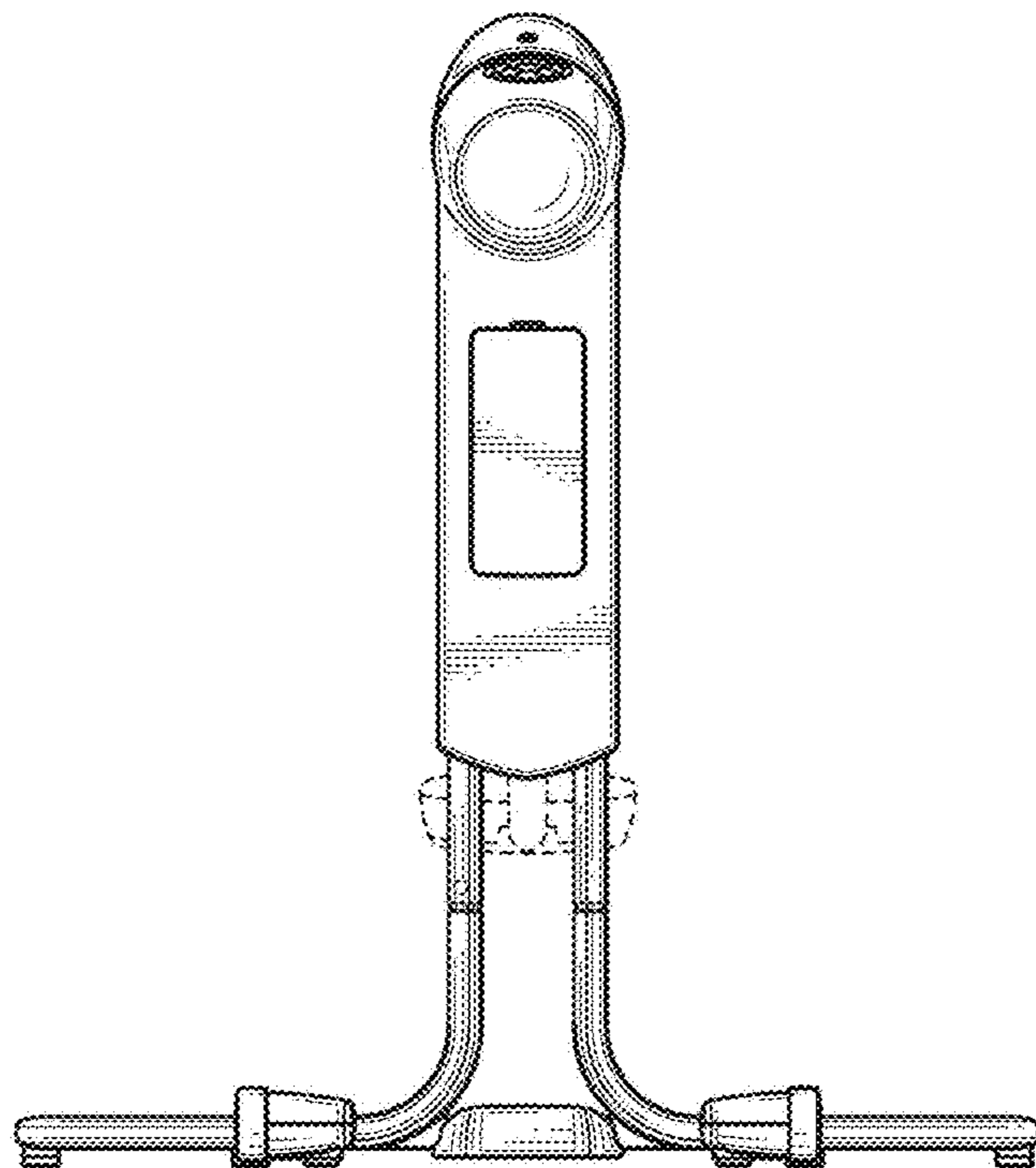


Fig. 3

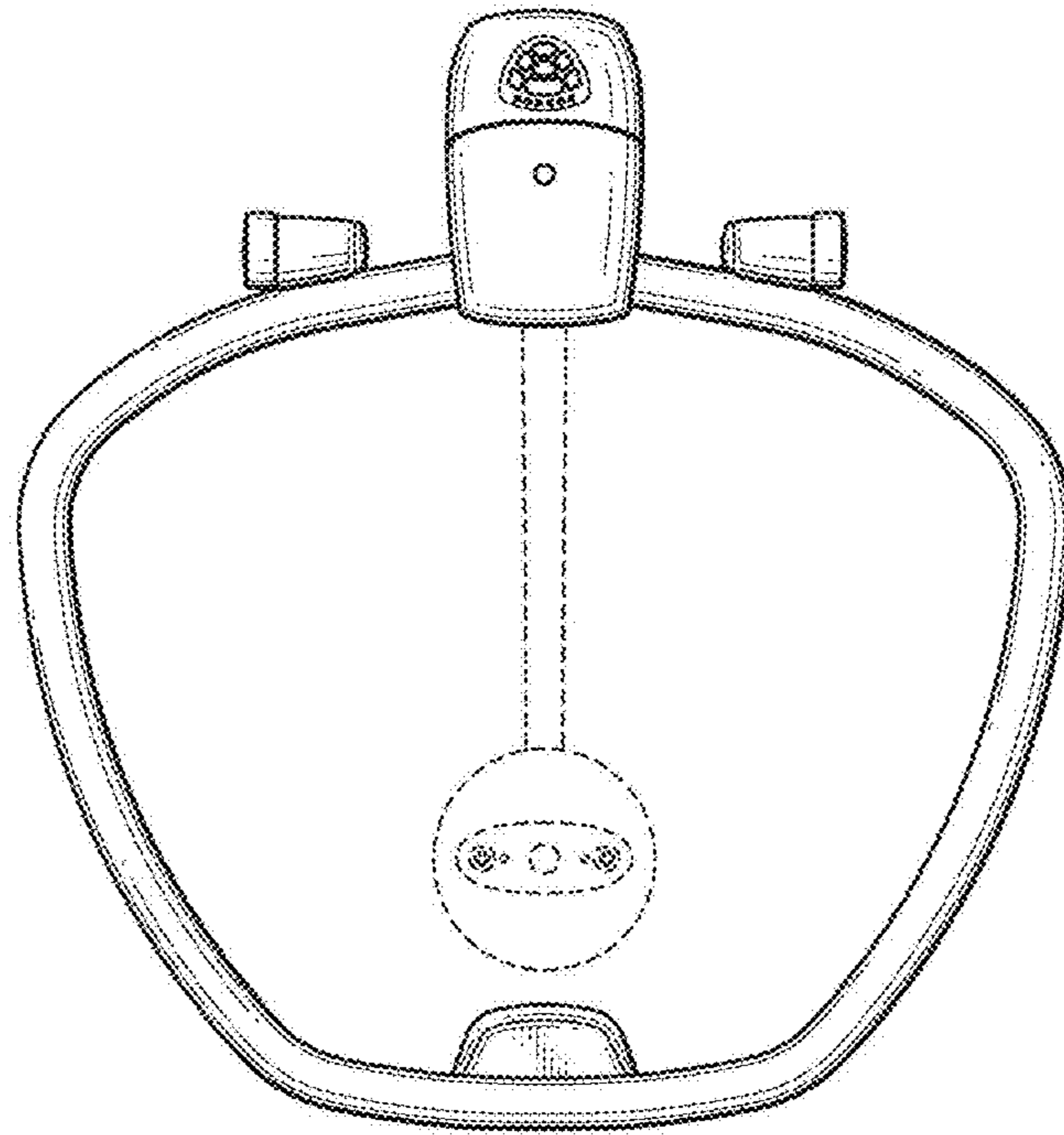


Fig.4

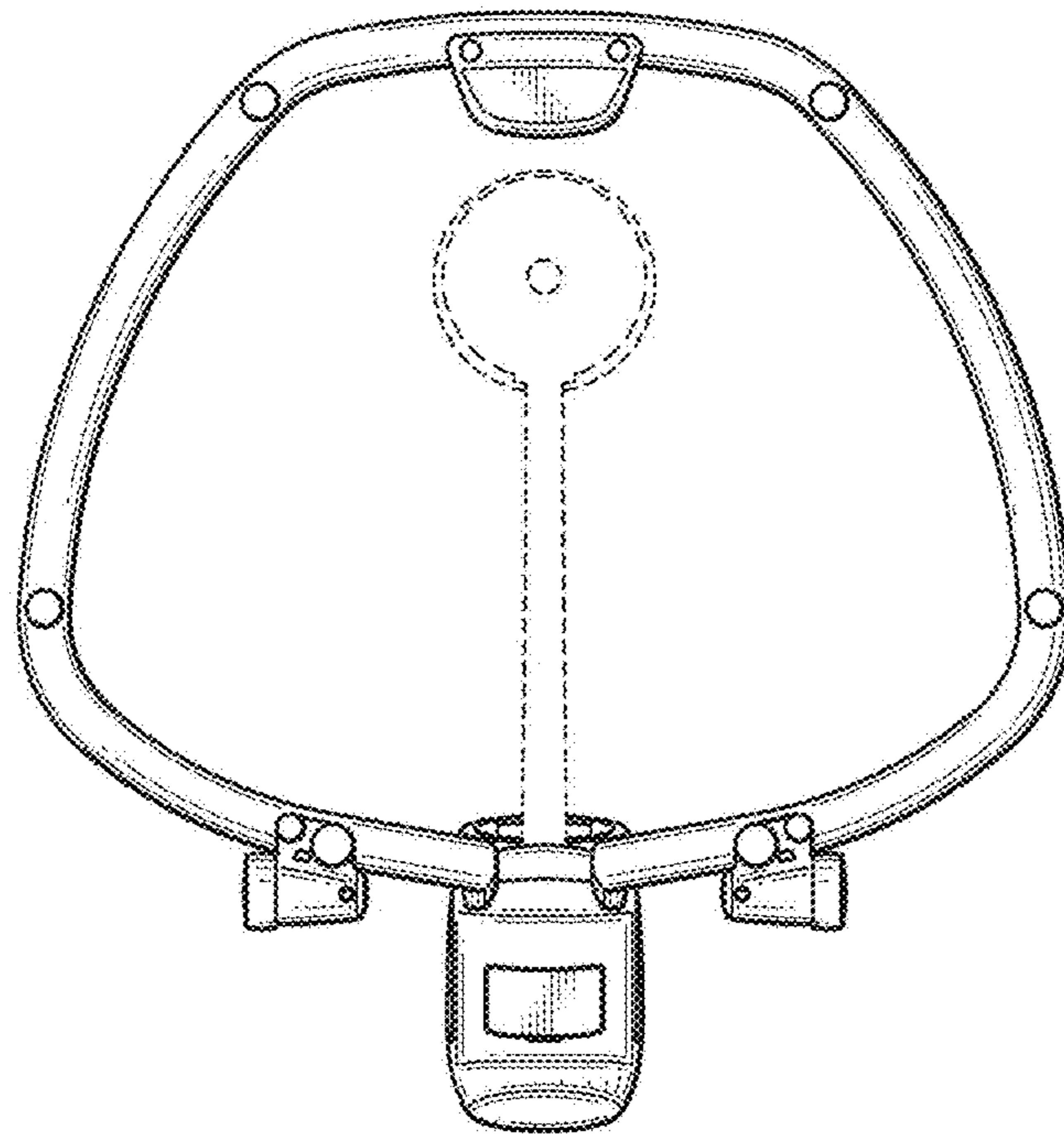


Fig.5

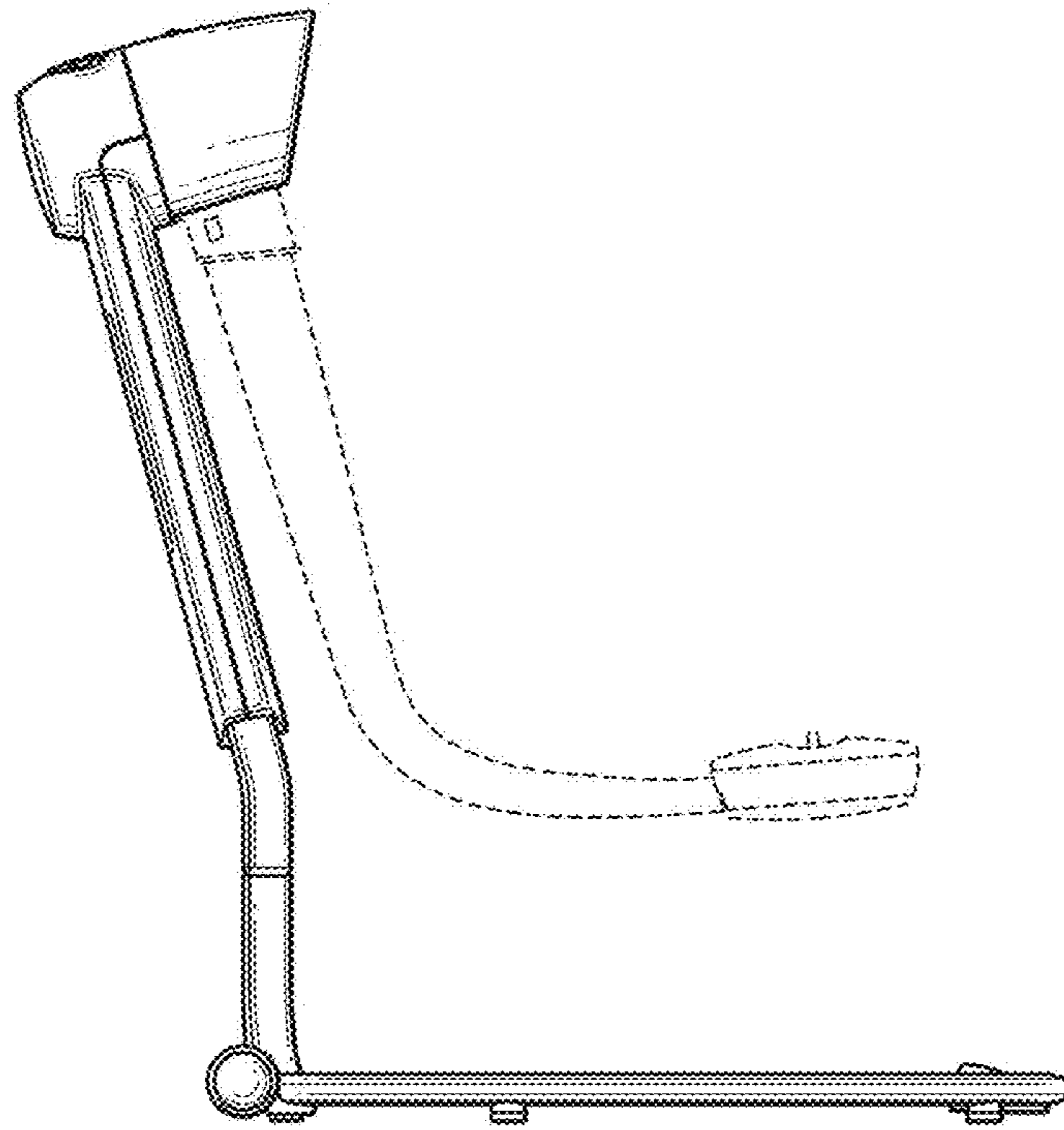


Fig. 6

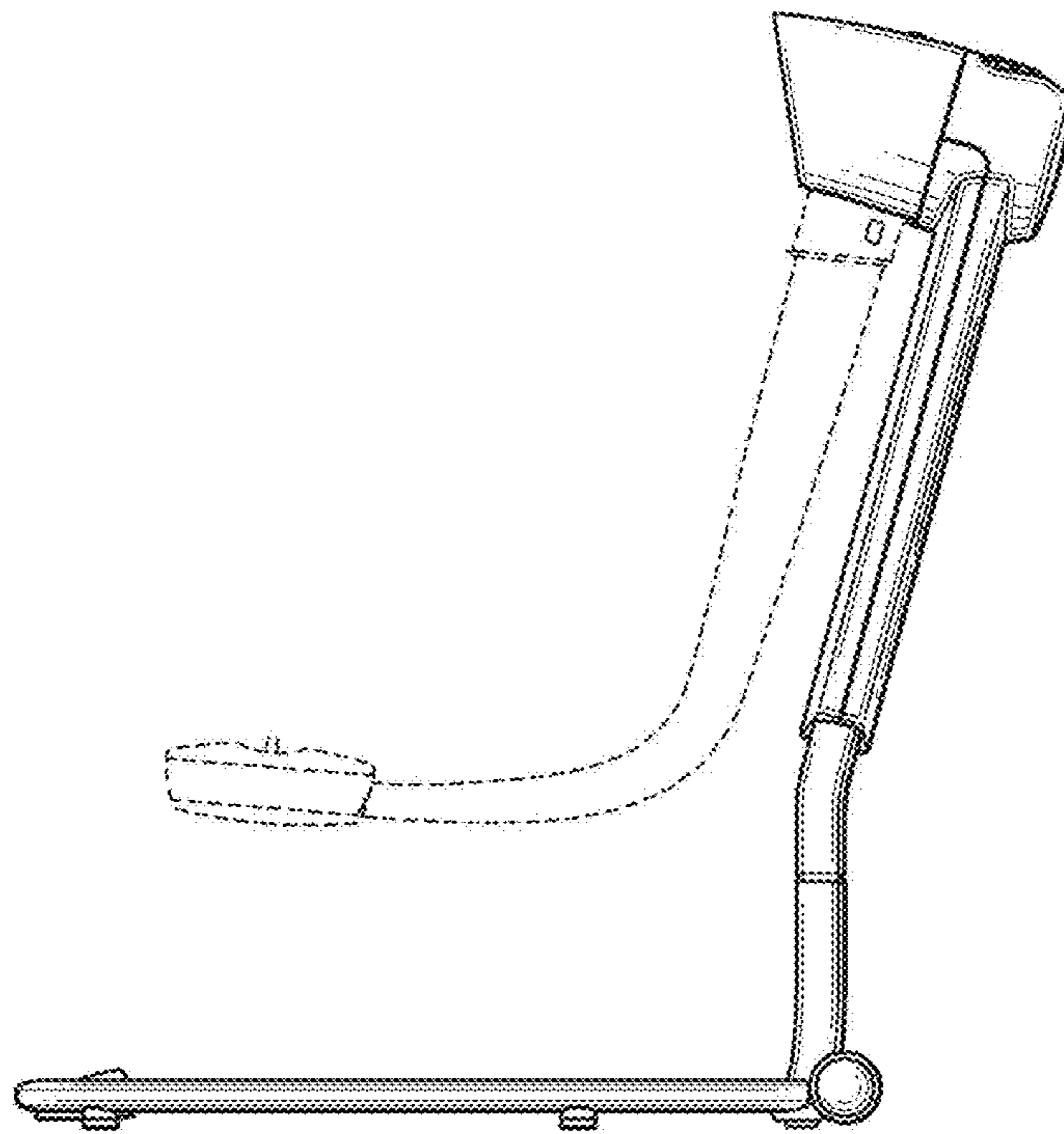


Fig. 7

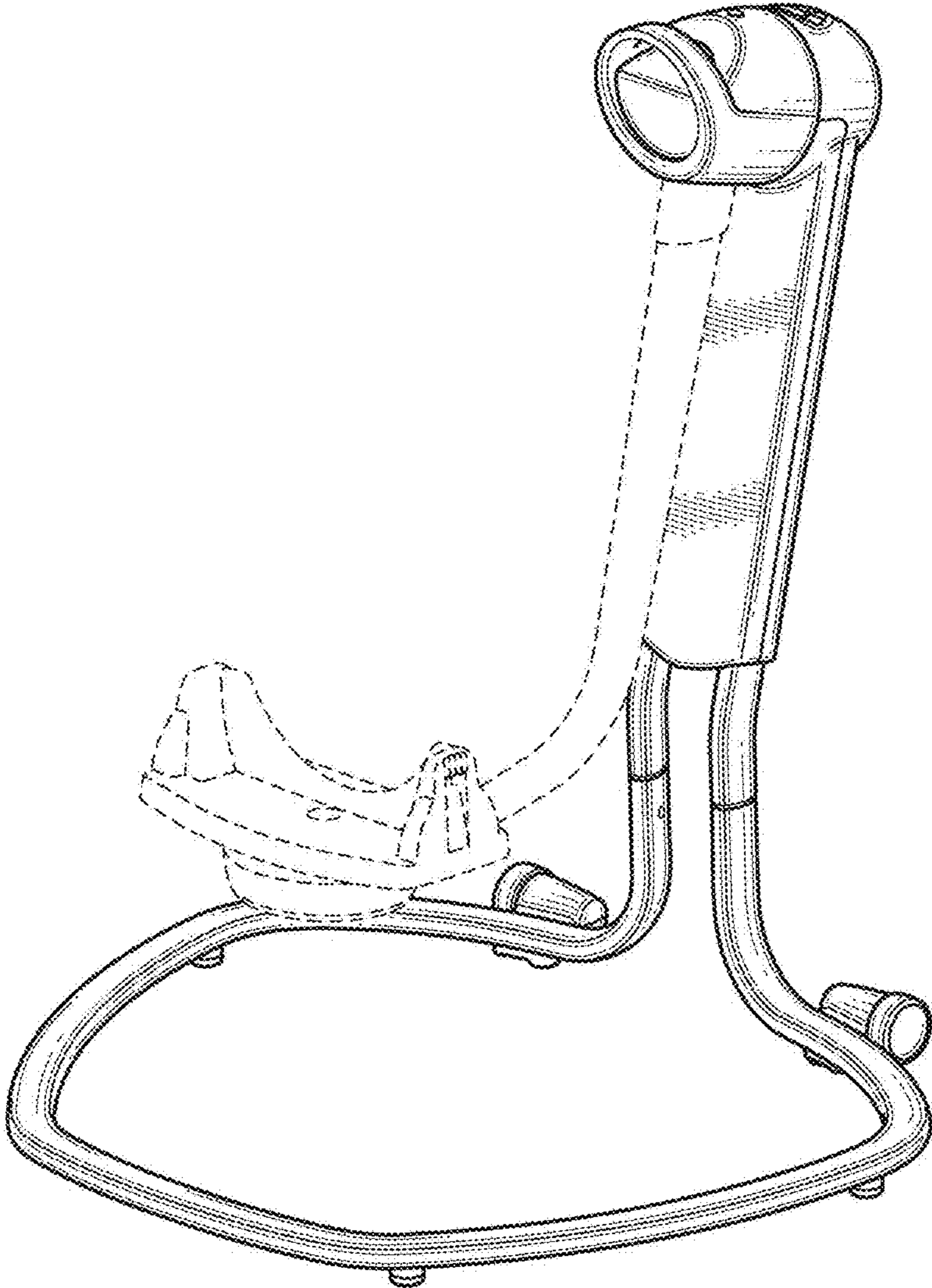


Fig.8

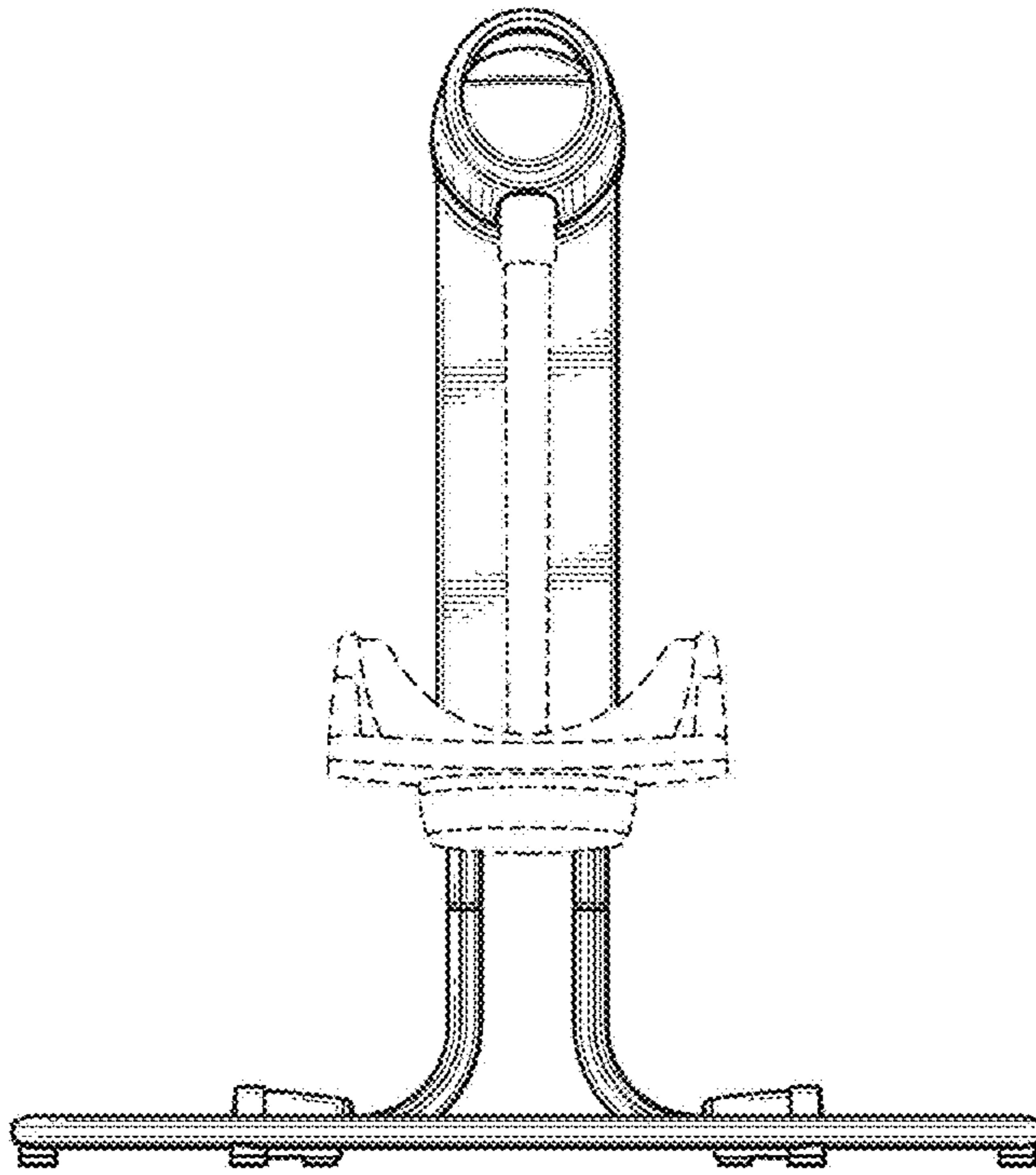


Fig. 9

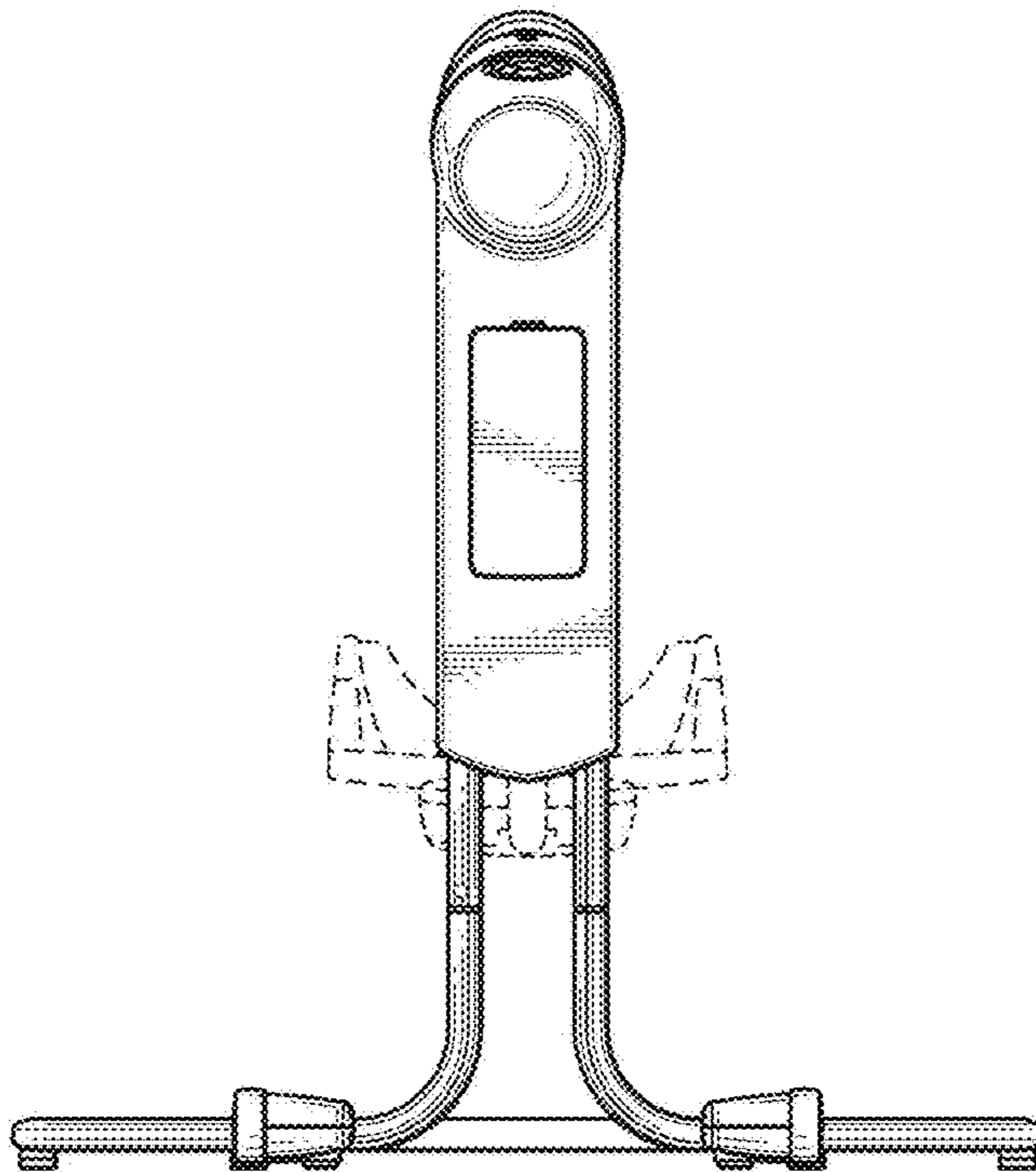


Fig. 10

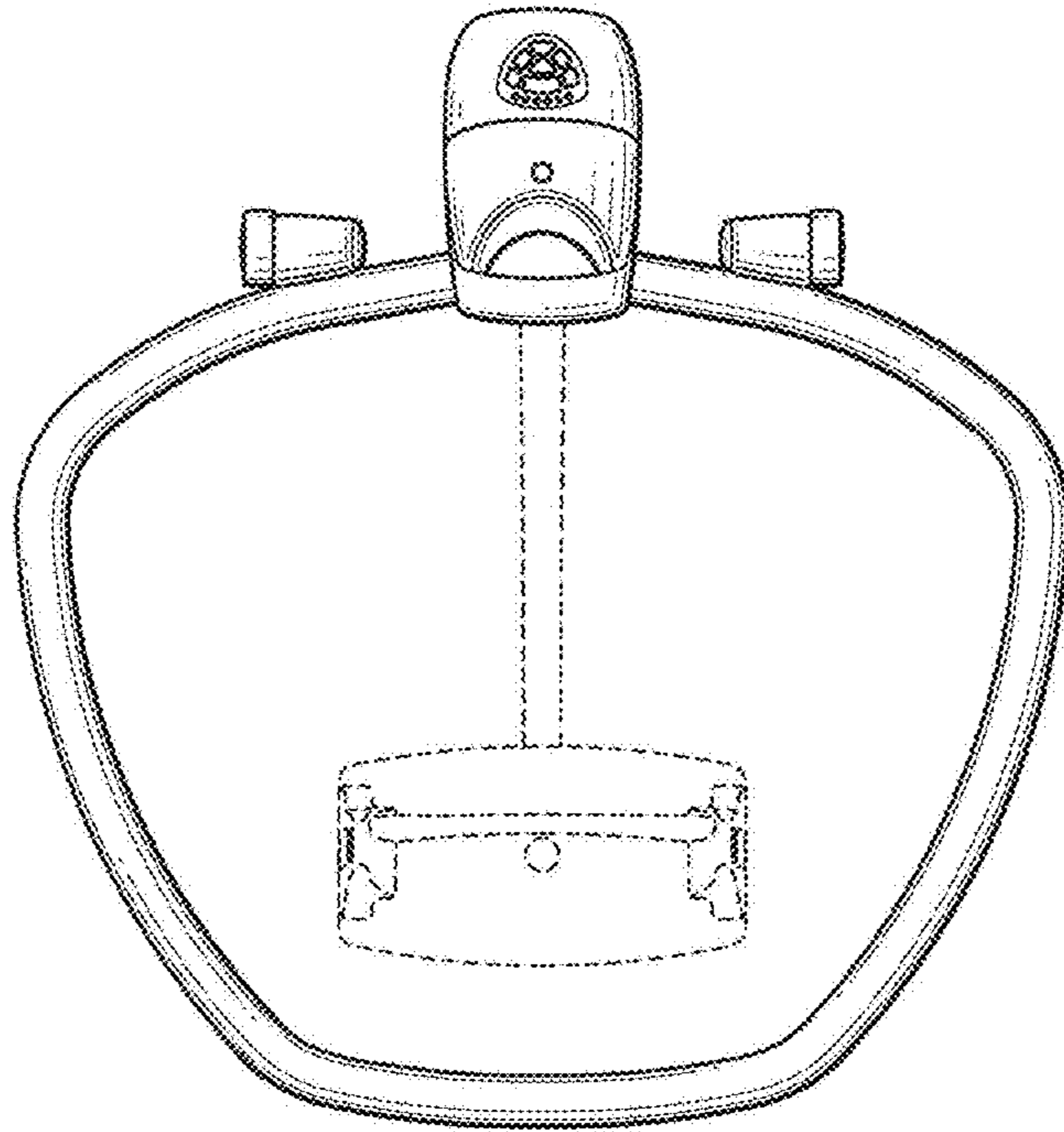


Fig. 11

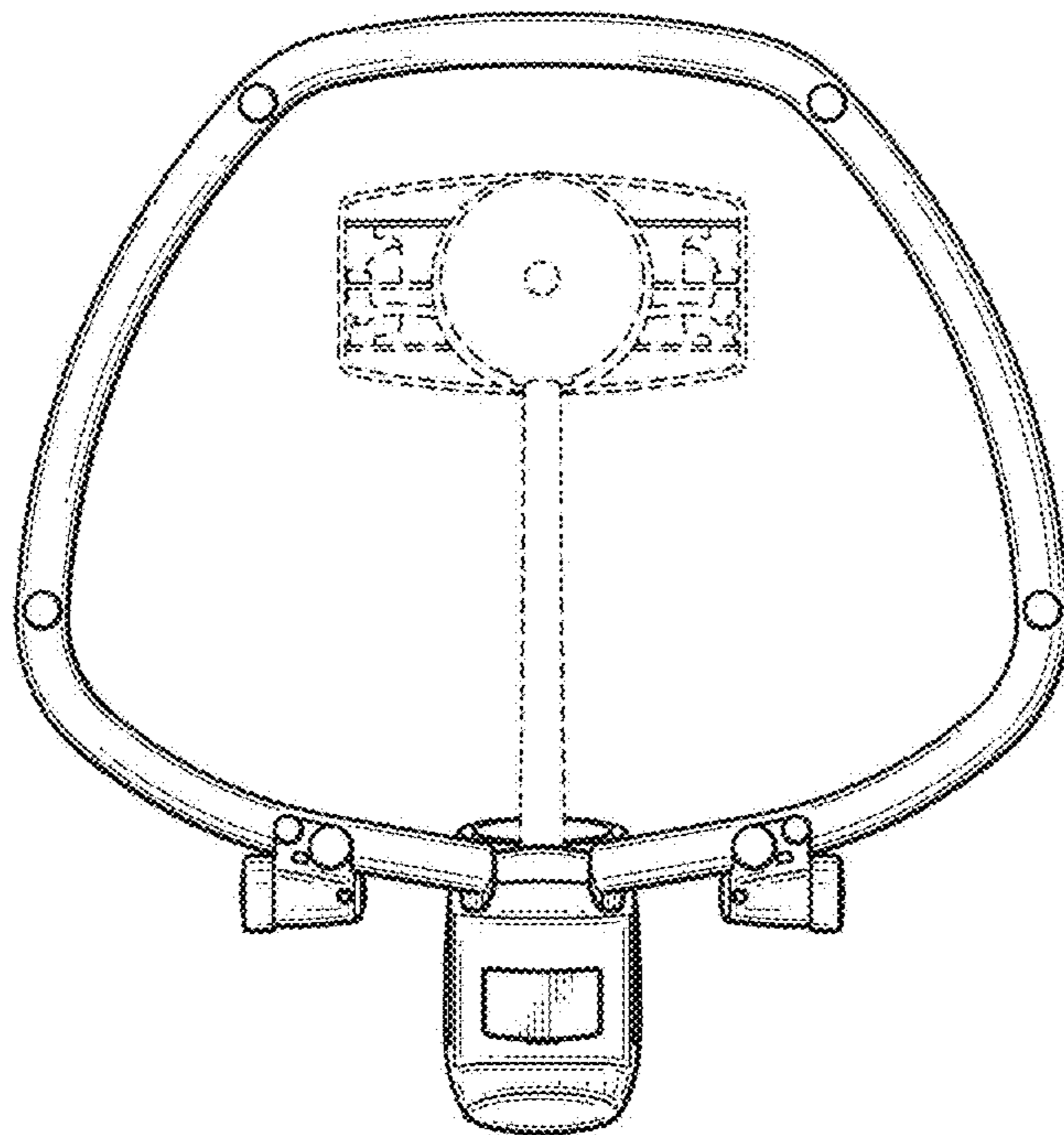


Fig. 12

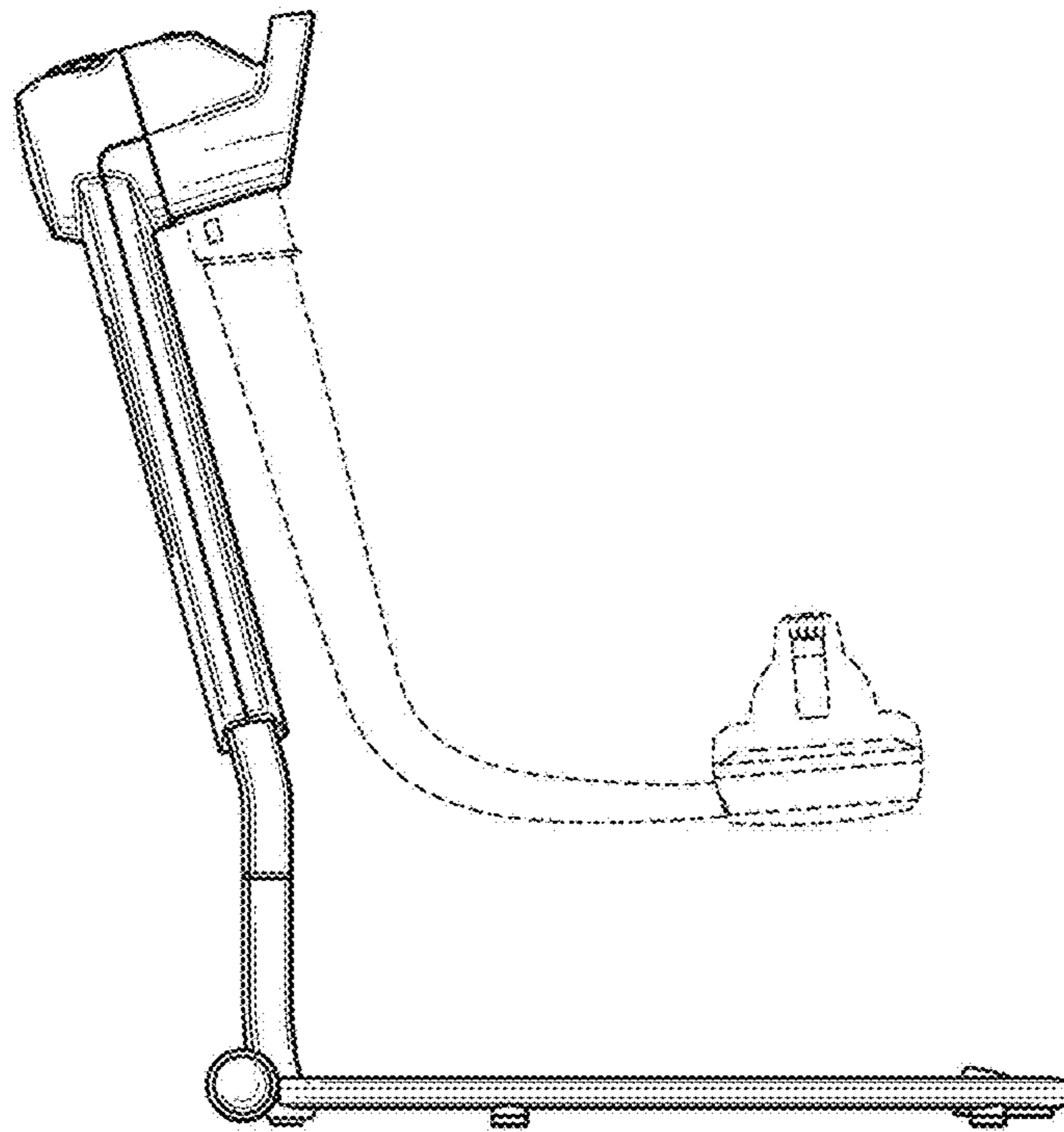


Fig. 13

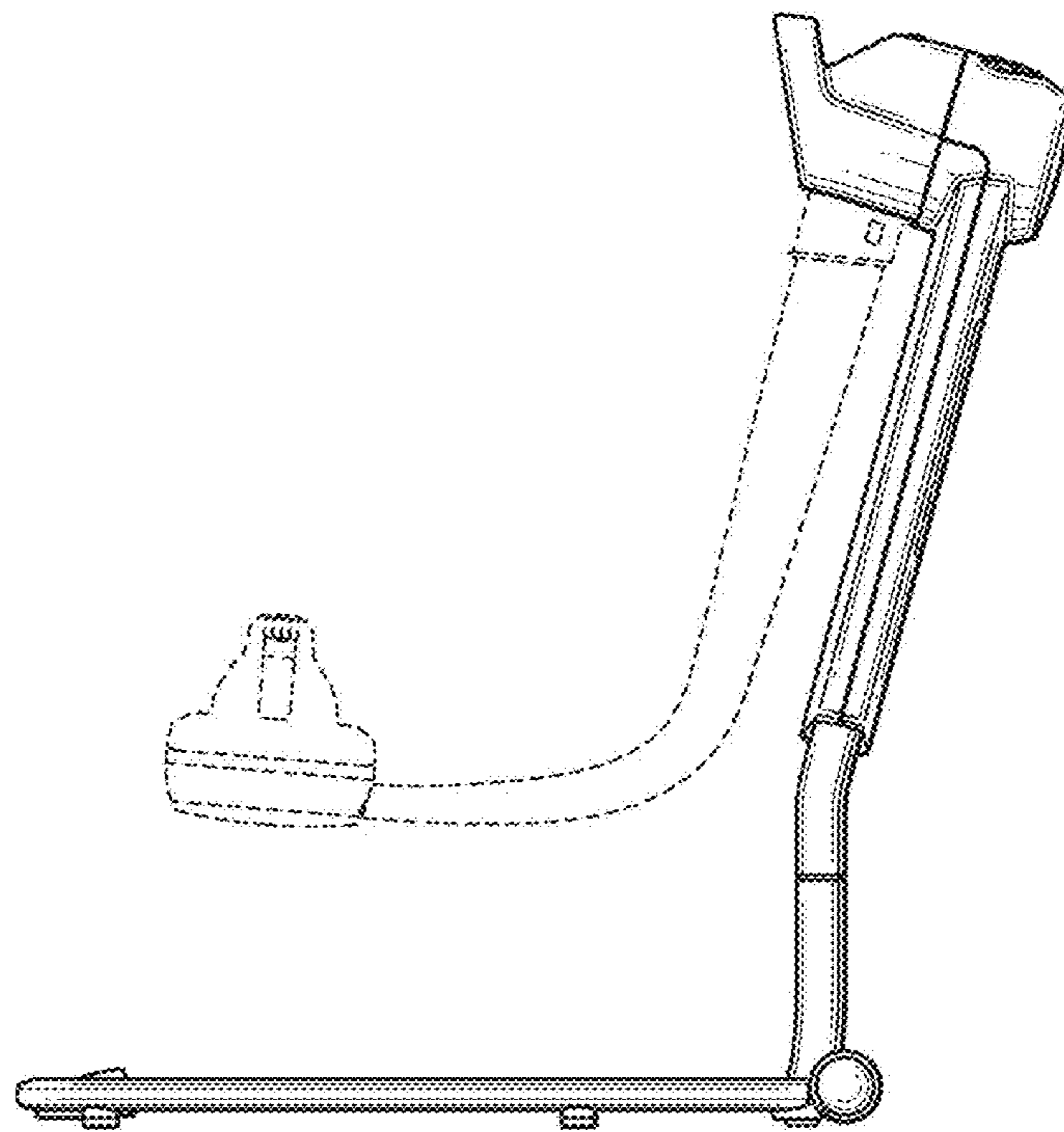


Fig. 14