



US00D737614S

(12) **United States Design Patent**
Legare

(10) **Patent No.:** **US D737,614 S**
(45) **Date of Patent:** **** Sep. 1, 2015**

(54) **TABLE LEG**

D511,637 S * 11/2005 Strong D6/708.16
2008/0289545 A1* 11/2008 Picchio 108/106

(71) Applicant: **TABLES MODULAIRES
POSITIONNELLES 2008 INC.,**
Saint-Germain-de-Grantham (CA)

OTHER PUBLICATIONS

Ergolab, Table, <http://www.ergolab.ca/medical/tables2.html>, Oct. 2013.

(72) Inventor: **Marc-Antoine Legare,** Drummondville (CA)

* cited by examiner

(73) Assignee: **TABLES MODULAIRES
POSITIONNELLES INC.,**
Drummondville, Quebec (CA)

Primary Examiner — Janice Seeger

(**) Term: **14 Years**

(57) **CLAIM**
The ornamental design for a table leg, as shown and described.

(21) Appl. No.: **29/477,398**

DESCRIPTION

(22) Filed: **Dec. 20, 2013**

(51) **LOC (10) Cl.** **06-06**

(52) **U.S. Cl.**
USPC **D6/708; D6/708.16**

(58) **Field of Classification Search**
USPC D6/654.1, 654.11, 687, 708, 708.16,
D6/709, 709.2, 709.21, 709.22, 691, 691.6,
D6/692.4, 691.7
CPC A47B 1/00; A47B 1/08; A47B 1/10;
A47B 9/00; A47B 9/08; A47B 9/20; A47B
9/18; A47B 87/002; A47B 7/00; A47B
2021/11; A47B 13/00; A47B 13/02; A47B
13/04; A47B 91/00; A47B 2200/002; A47B
2200/0031

See application file for complete search history.

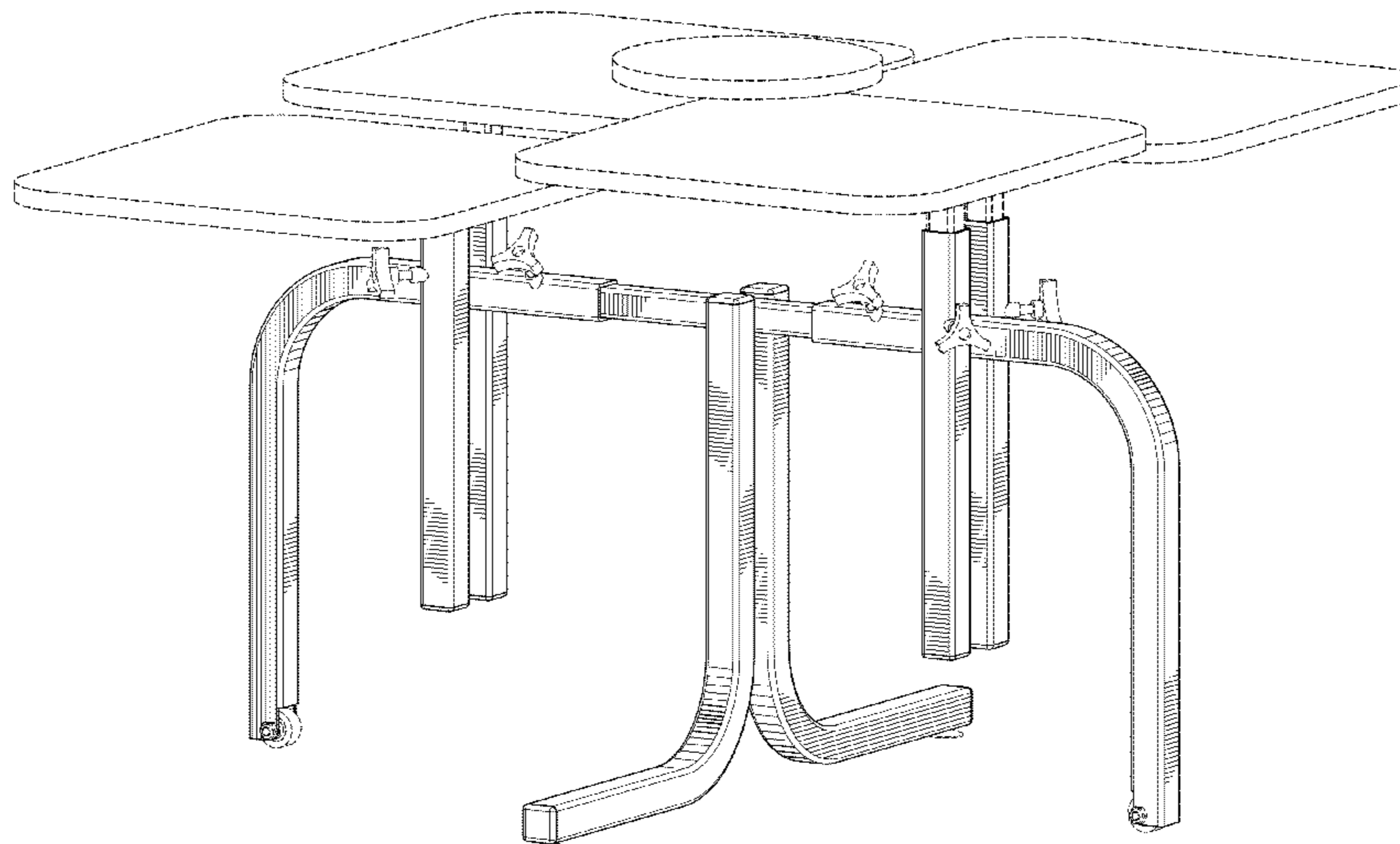
FIG. 1 is a perspective view of a table leg showing a first embodiment of my new design, the broken lines representing environment and forming no part of the claimed design; FIG. 2 is a perspective view of the table leg of FIG. 1; FIG. 3 is a front view of the table leg of FIG. 1; FIG. 4 is back view of the table leg of FIG. 1; FIG. 5 is a side view of the table leg of FIG. 1; FIG. 6 is a top view of the table leg of FIG. 1; FIG. 7 is a bottom view of the table leg of FIG. 1; FIG. 8 is a perspective view of a table leg showing a second embodiment of my new design, the broken lines representing environment and forming no part of the claimed design; FIG. 9 is a perspective view of the table leg of FIG. 8; FIG. 10 is a front view of the table leg of FIG. 8; FIG. 11 is back view of the table leg of FIG. 8; FIG. 12 is a side view of the table leg of FIG. 8; FIG. 13 is a top view of the table leg of FIG. 8; and, FIG. 14 is a bottom view of the table leg of FIG. 8. The broken lines represent environment and form no part of the claimed design.

(56) **References Cited**

U.S. PATENT DOCUMENTS

D180,203 S * 4/1957 Shone D6/499
D488,007 S * 4/2004 Cronk et al. D6/708.16

1 Claim, 14 Drawing Sheets



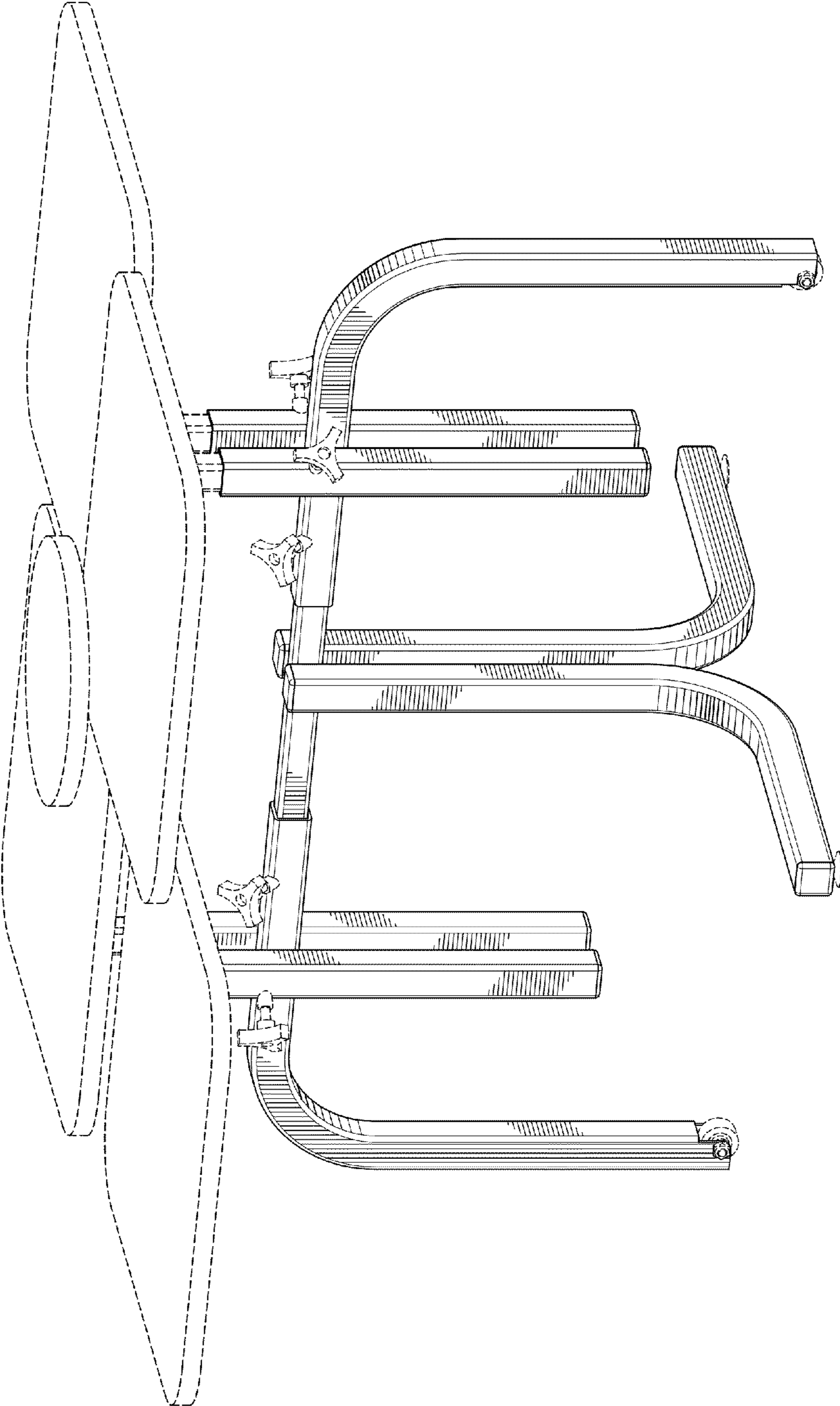


FIG. 1

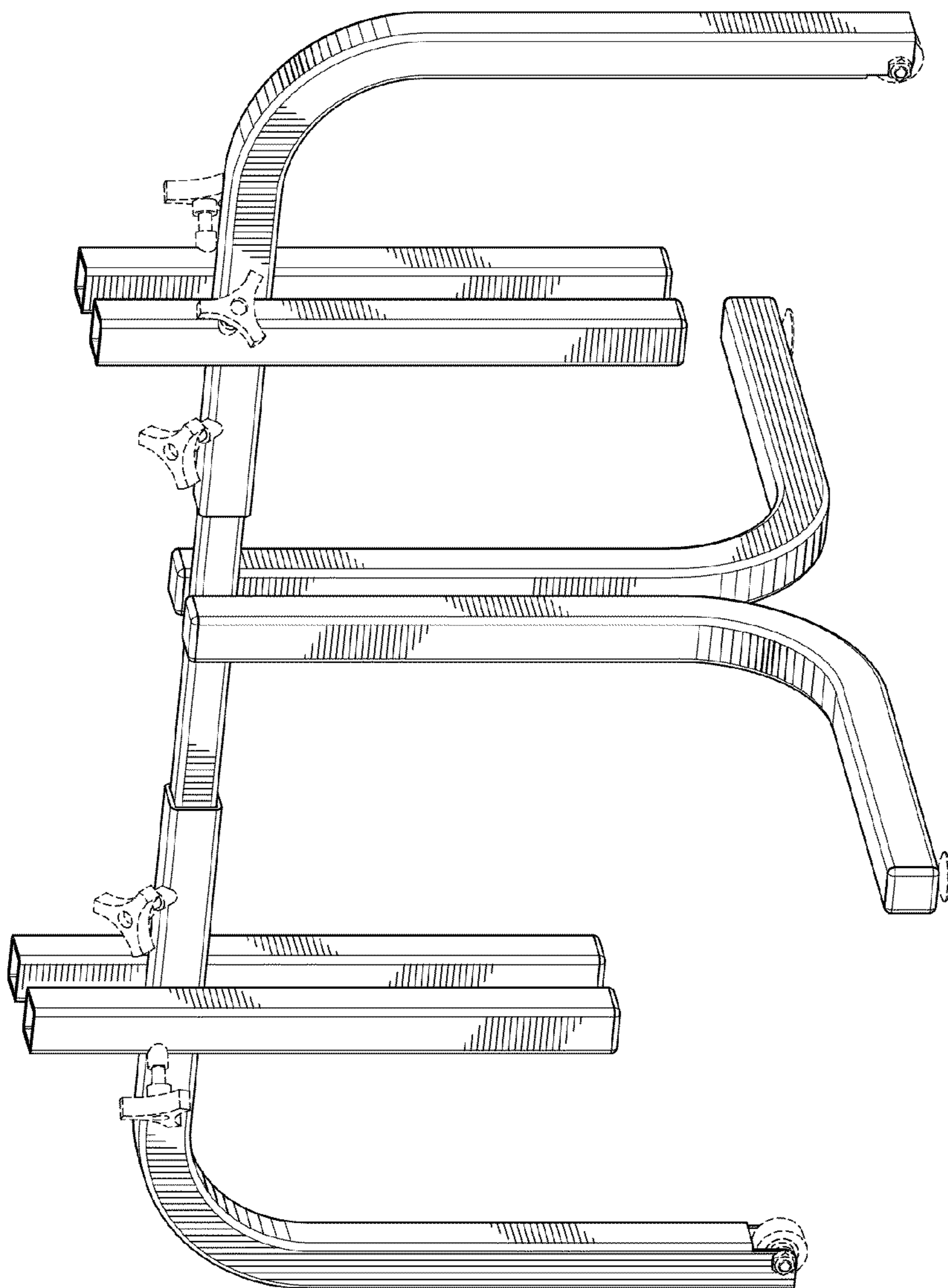


FIG. 2

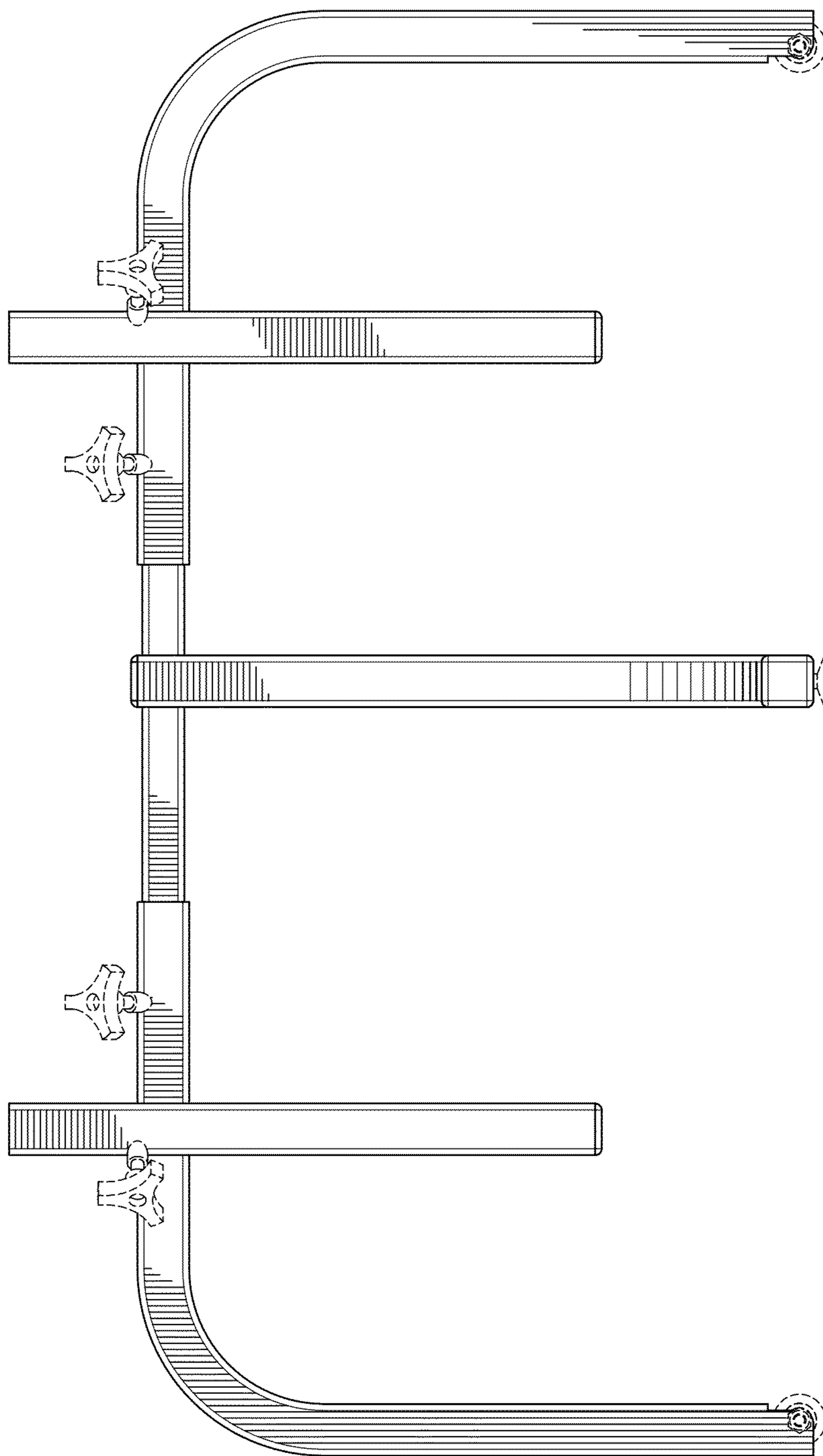


FIG. 3

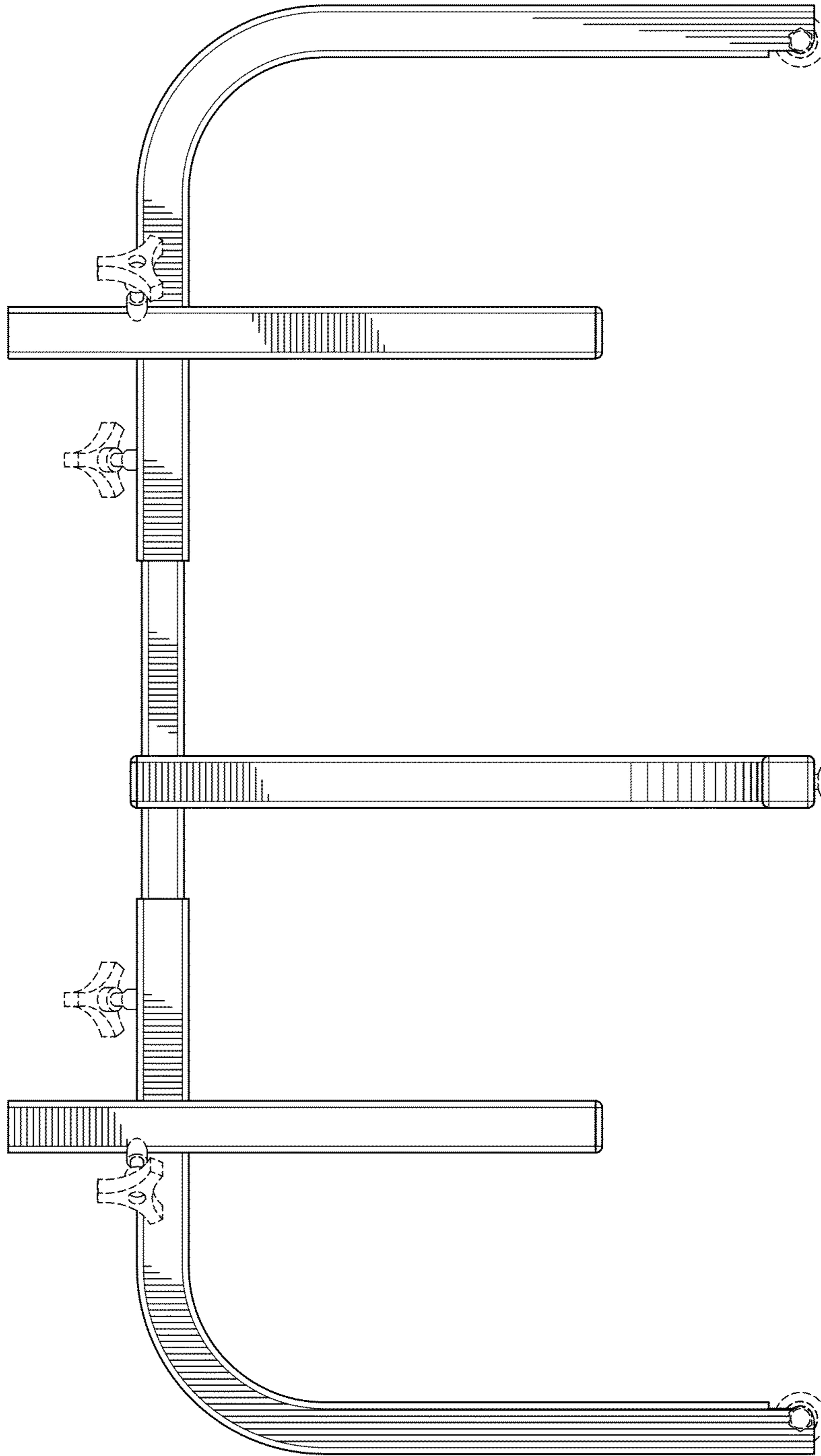


FIG. 4

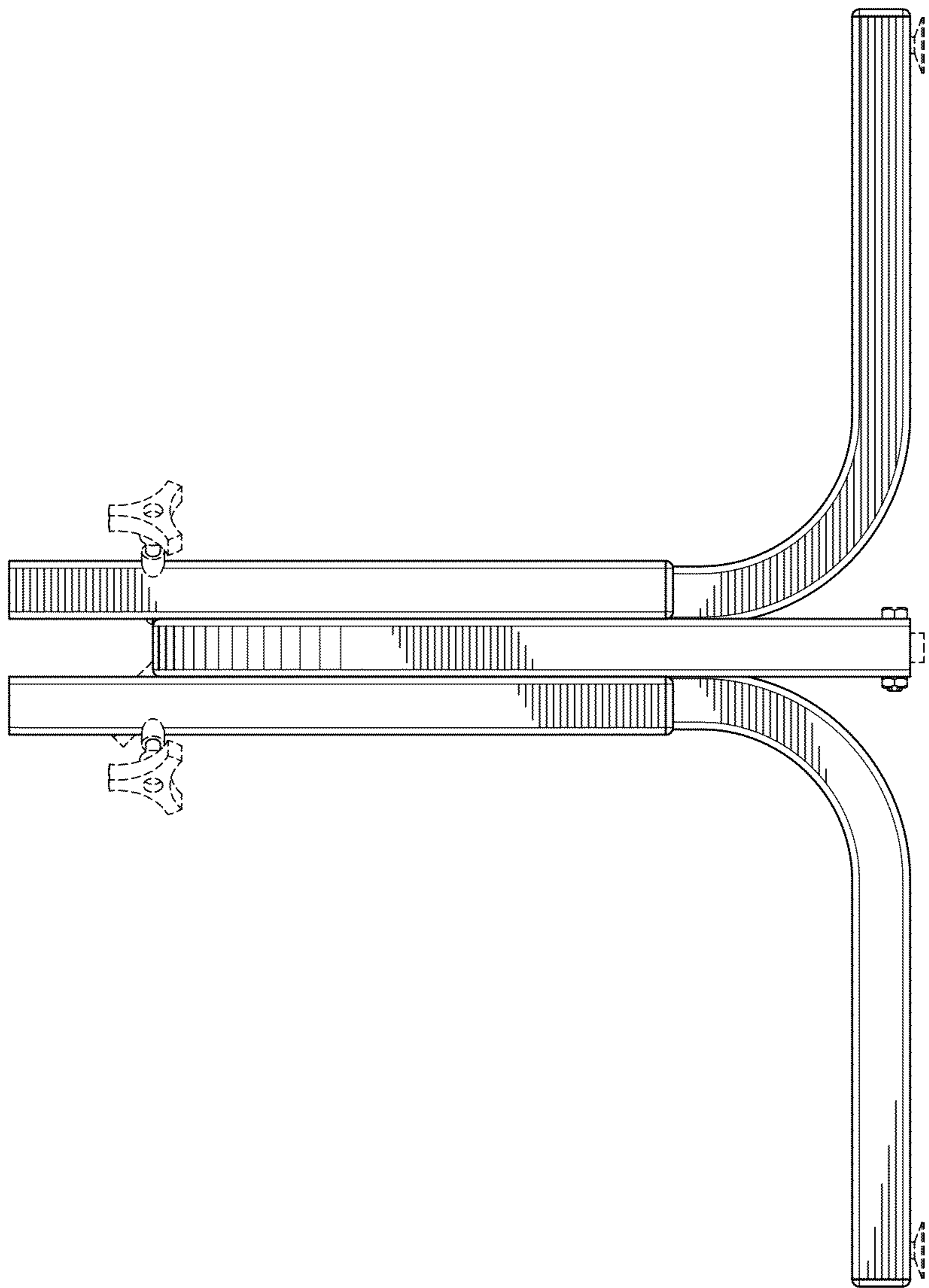


FIG. 5

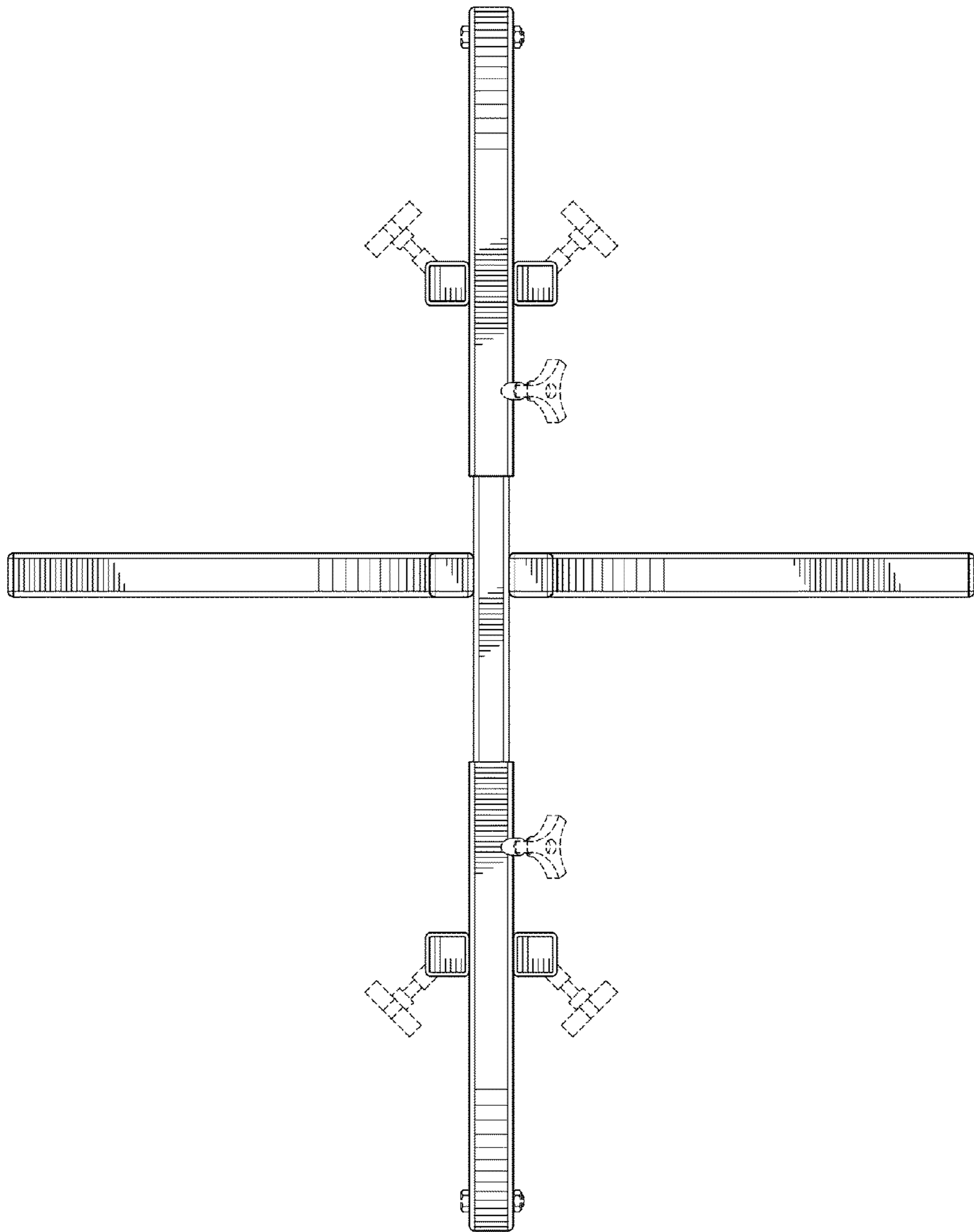


FIG. 6

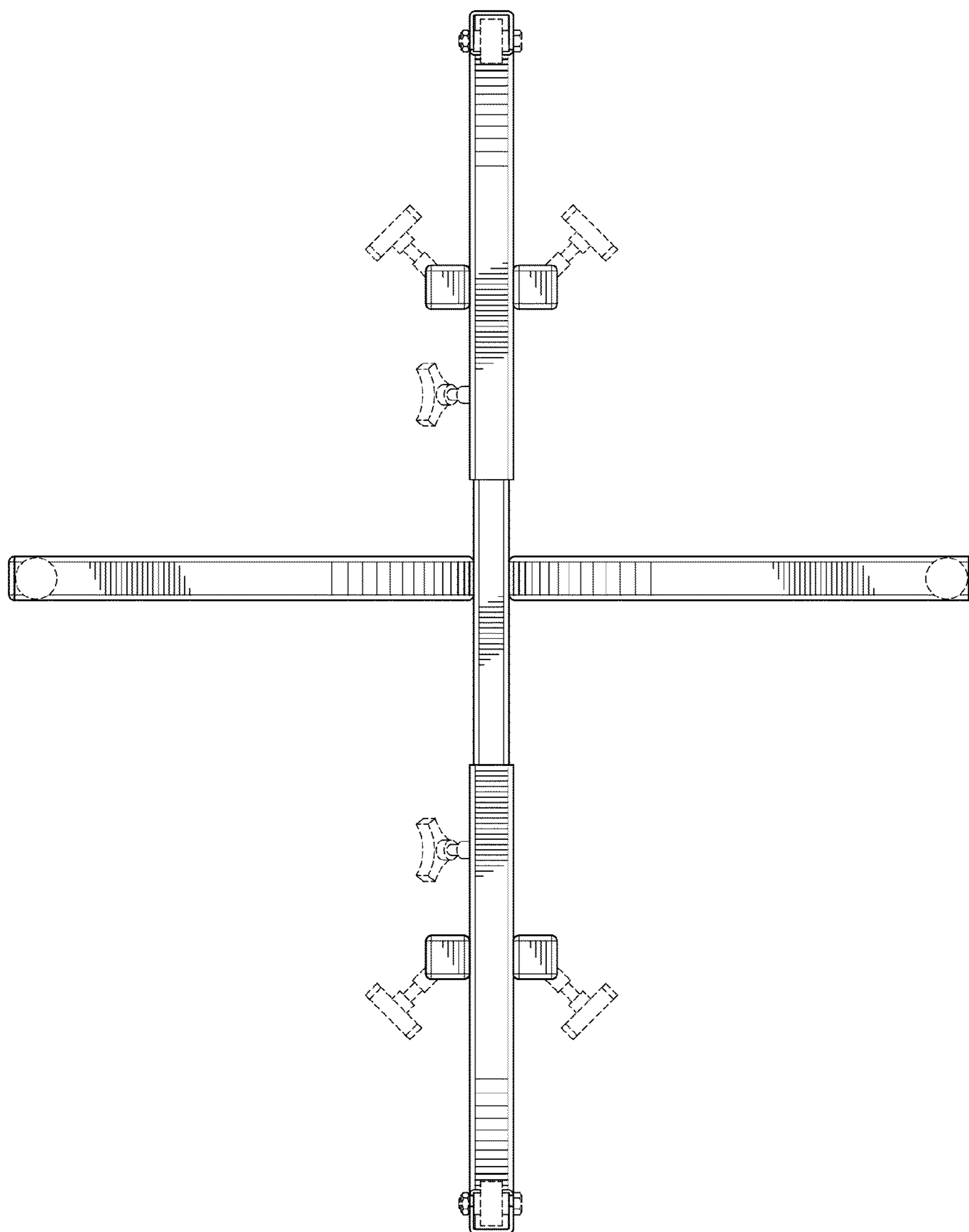


FIG. 7

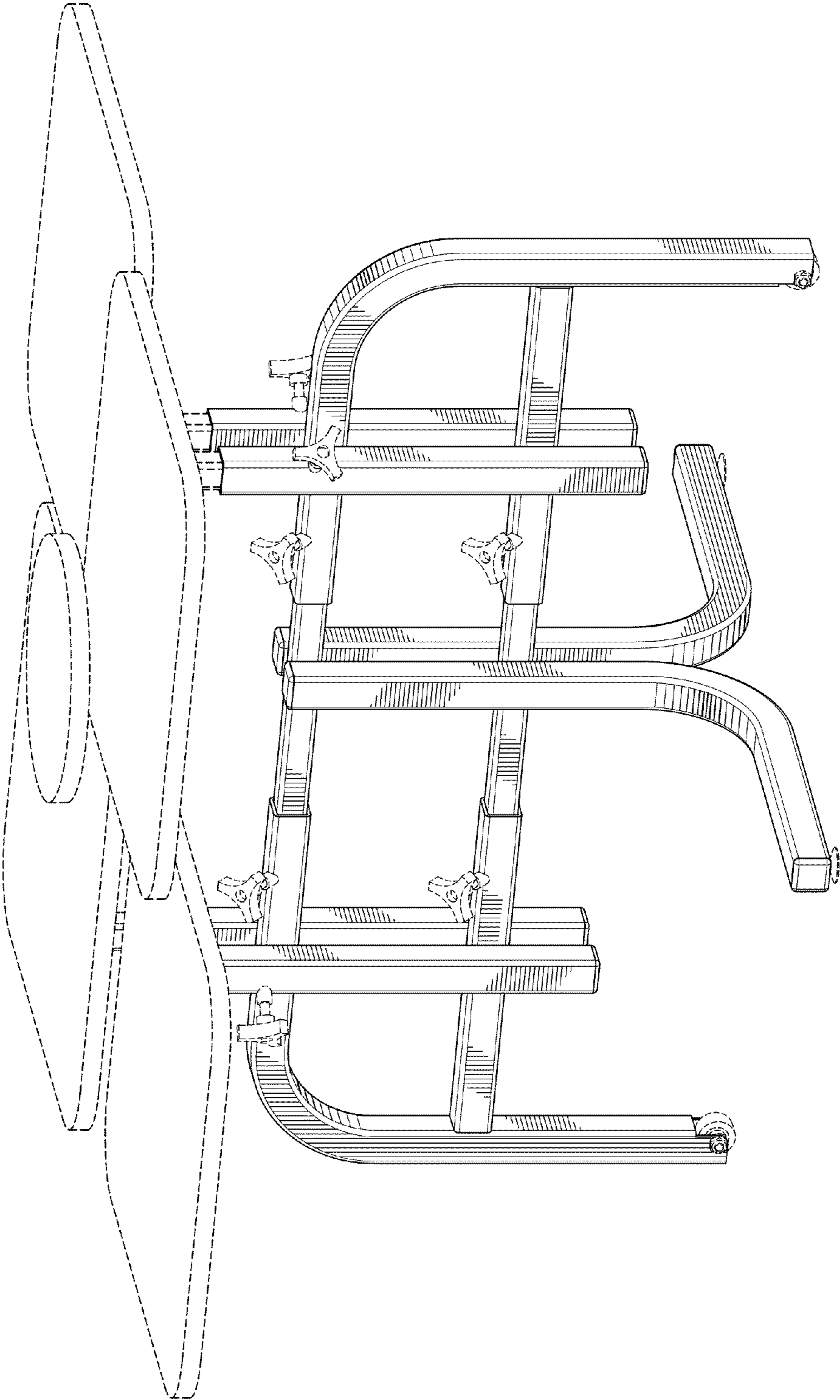


FIG. 8

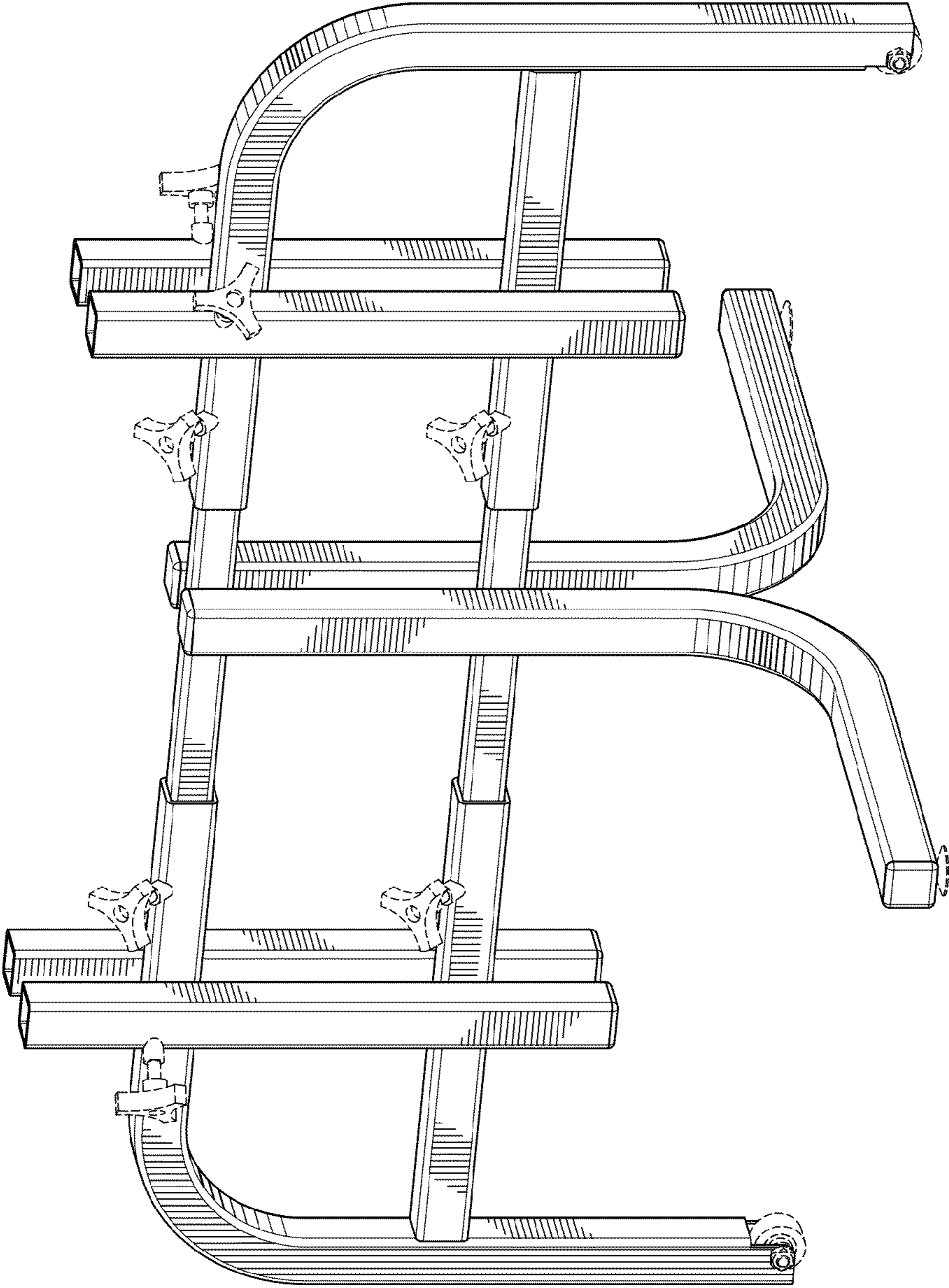


FIG. 9

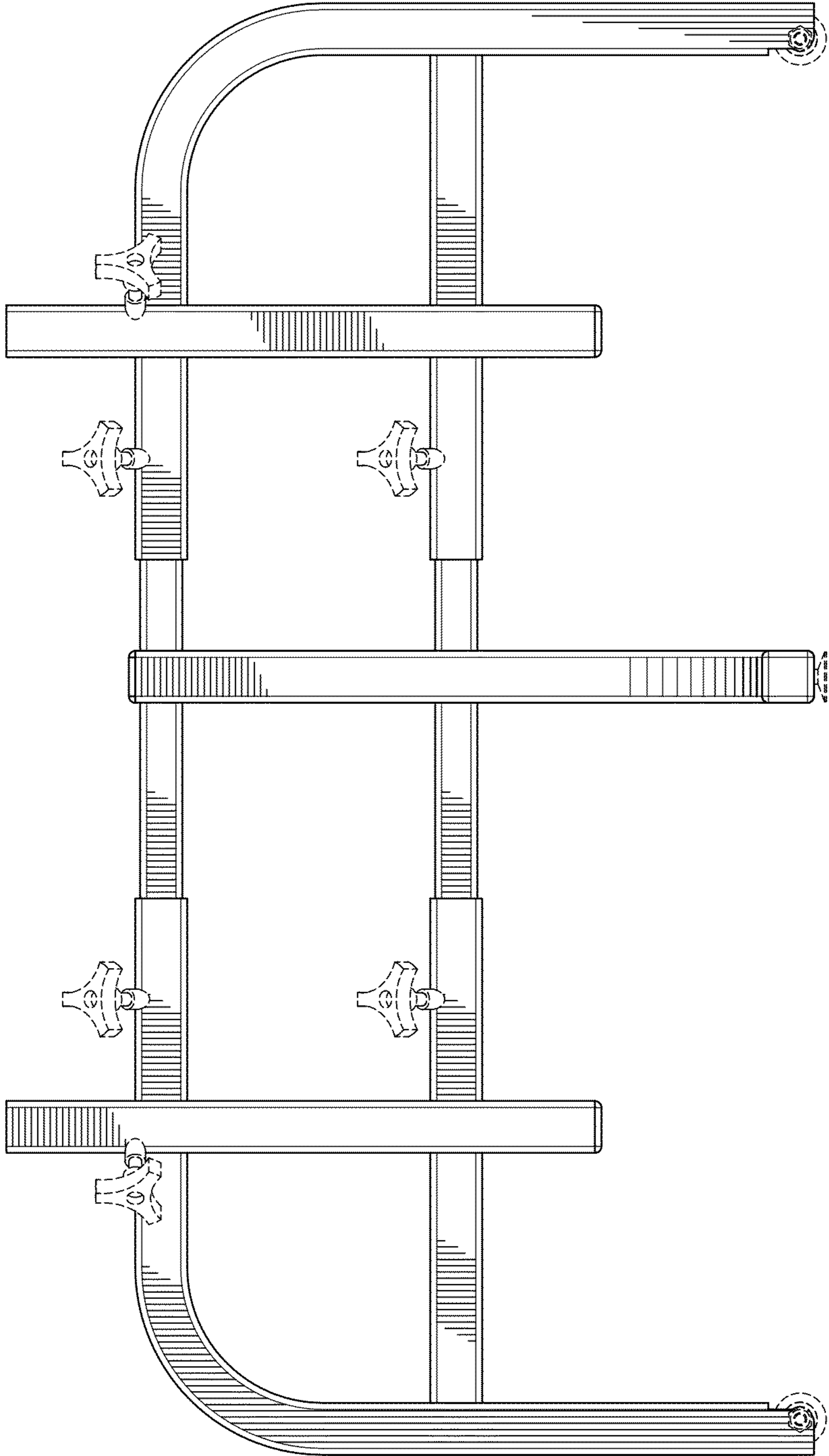


FIG. 10

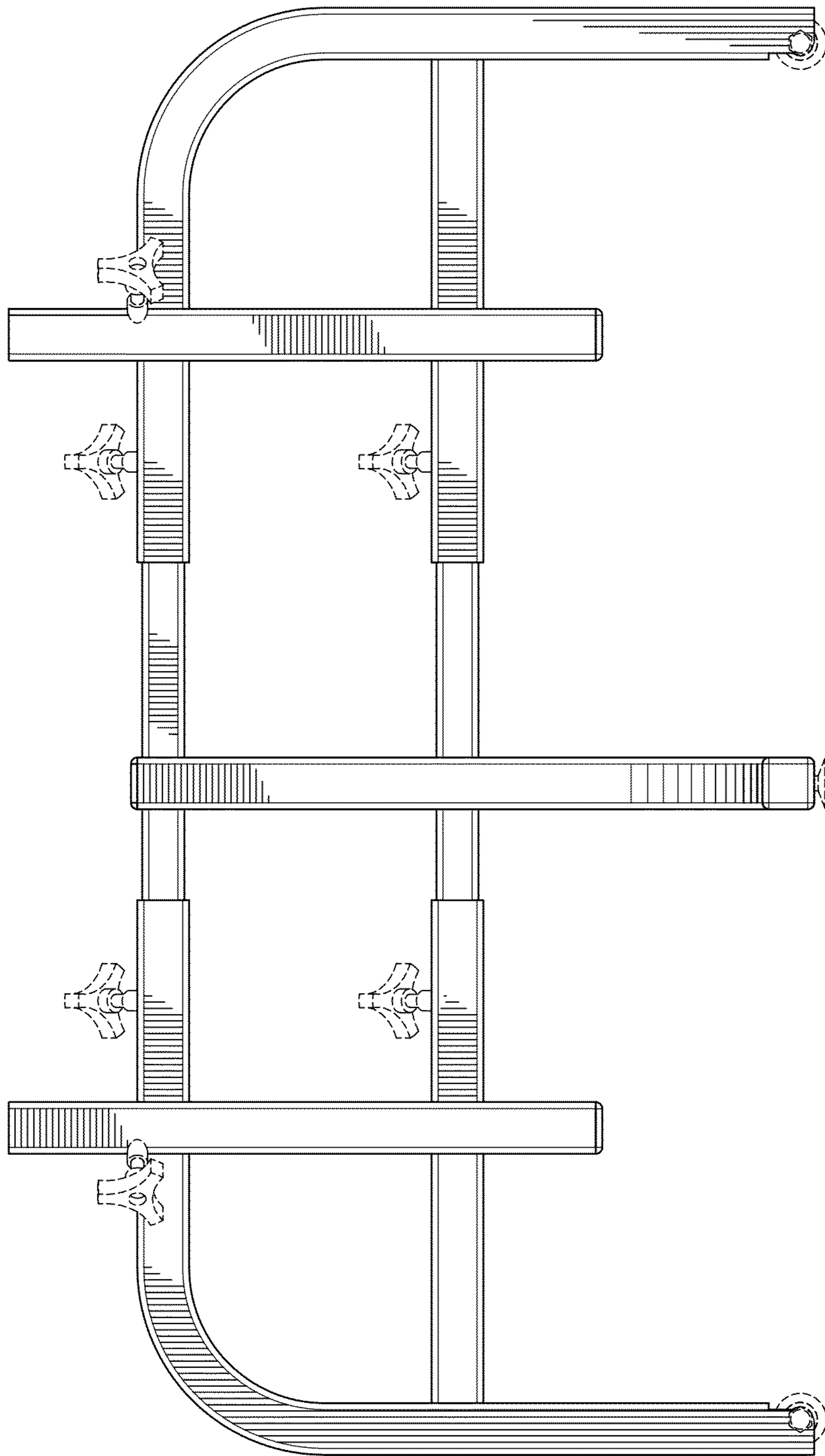


FIG. 11

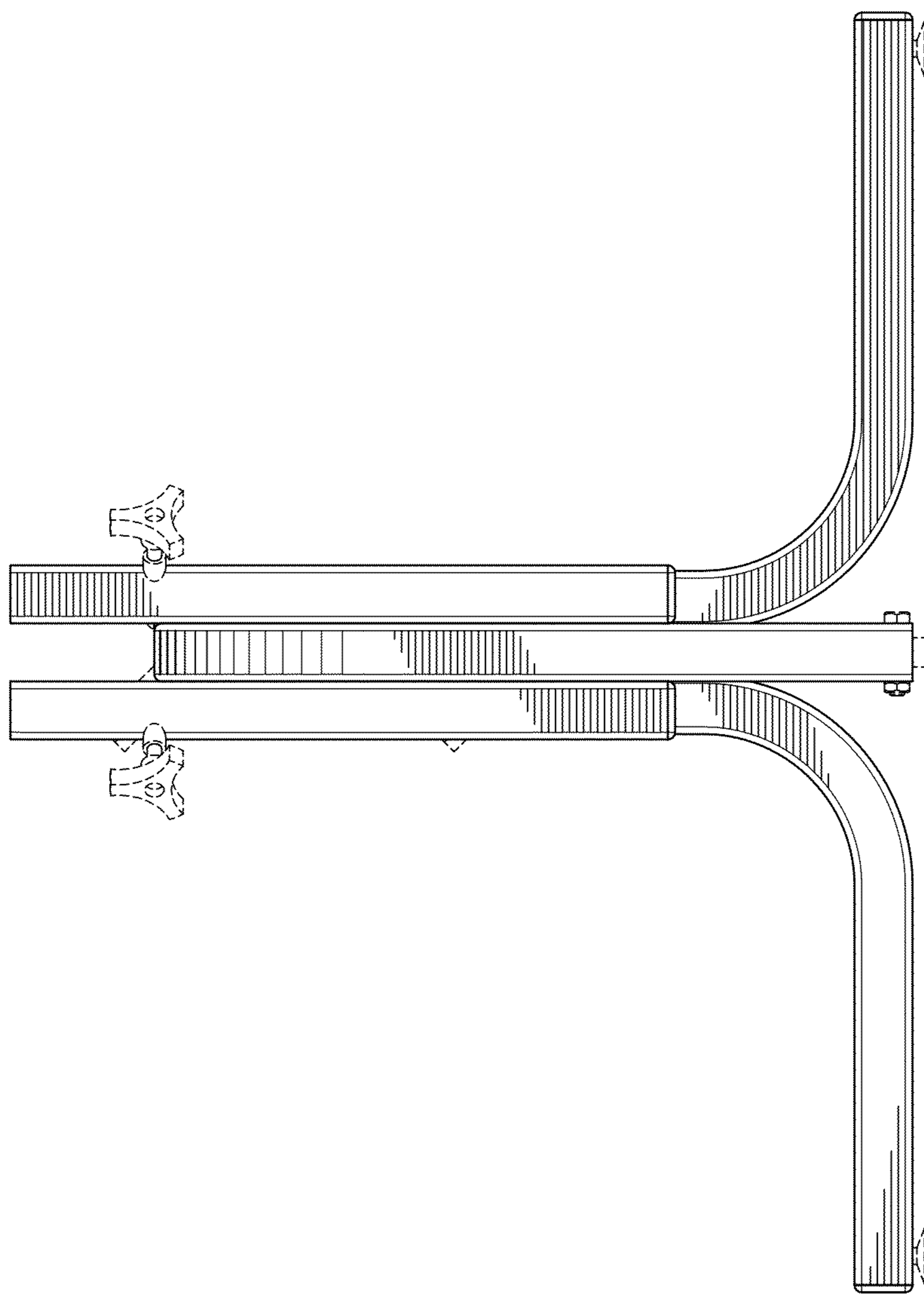


FIG. 12

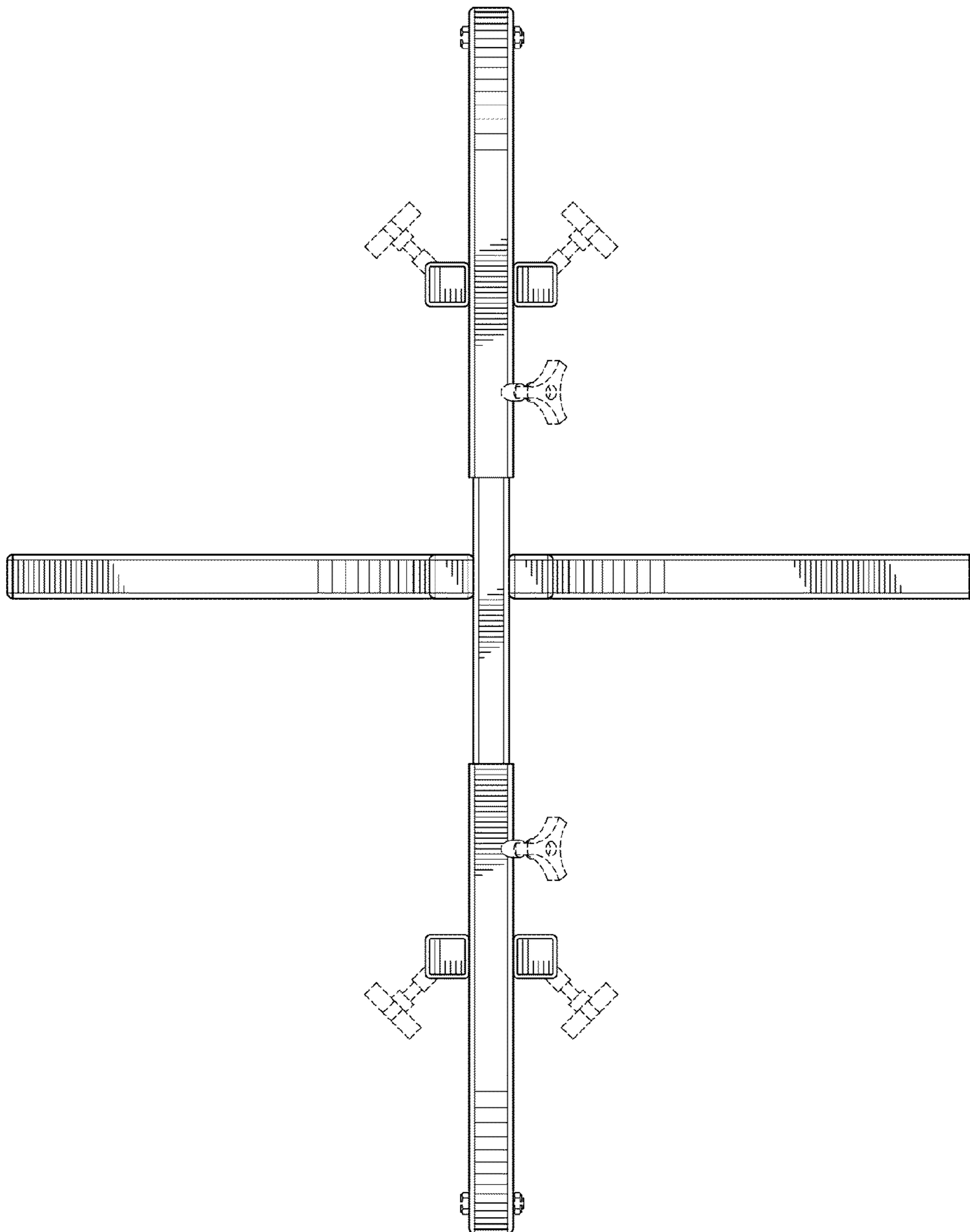


FIG. 13

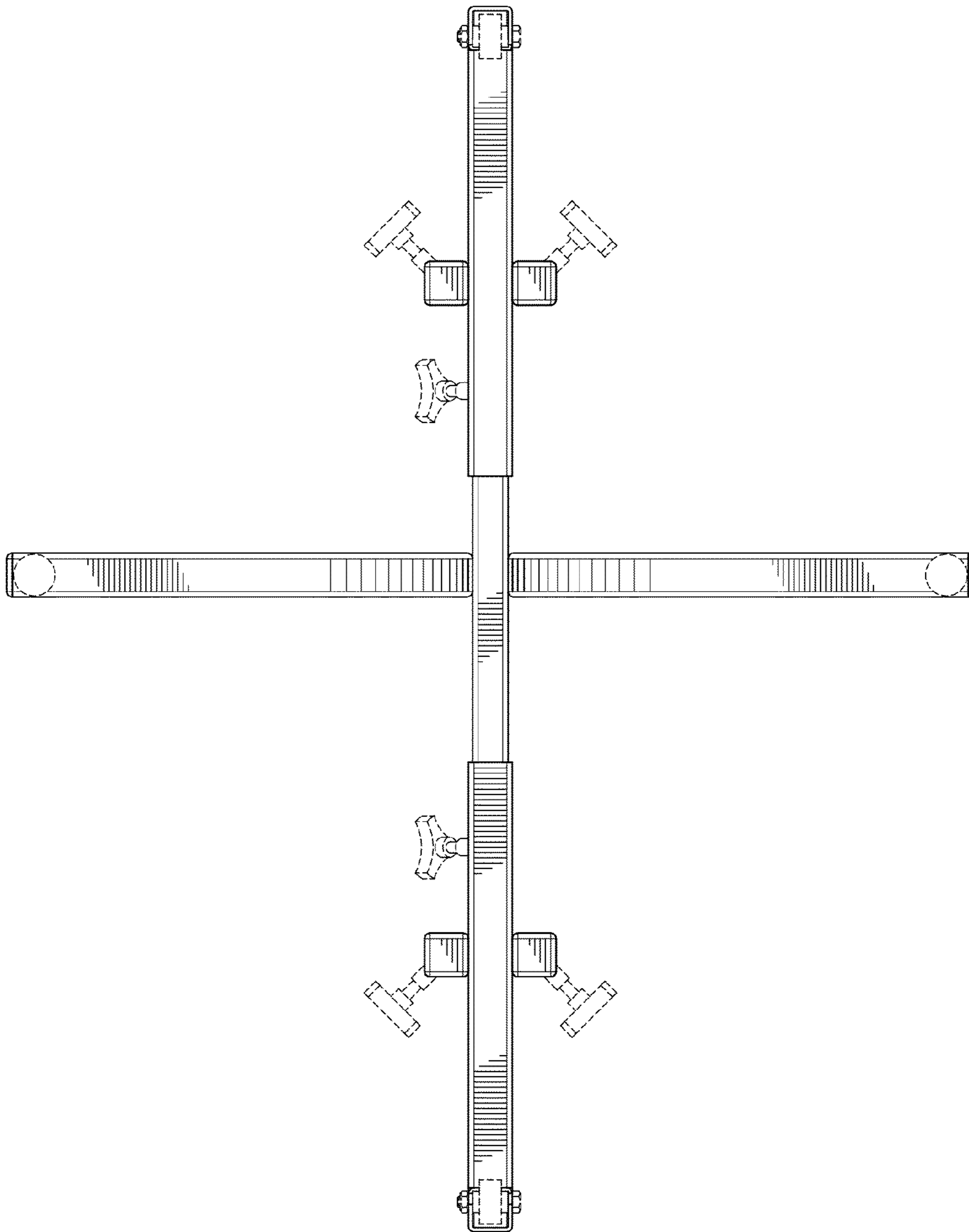


FIG. 14