



US00D737613S

(12) **United States Design Patent**
Troyner et al.

(10) **Patent No.:** **US D737,613 S**

(45) **Date of Patent:** **** *Sep. 1, 2015**

(54) **SHELF SUPPORT BEAM**

(56) **References Cited**

(71) Applicant: **Edsal Manufacturing Company, Inc.**,
Chicago, IL (US)

U.S. PATENT DOCUMENTS

(72) Inventors: **Anthony J. Troyner**, Shorewood, IL
(US); **Antonio Luis Escalante**, Chicago,
IL (US); **David J. Wojtowicz**, Orland
Park, IL (US); **Mitch Liss**, Northbrook,
IL (US)

2,841,255	A *	7/1958	Kemp	52/395
4,367,972	A *	1/1983	Panthout	403/387
D270,550	S	9/1983	Sax	
4,825,529	A	5/1989	Sawada et al.	
D302,239	S *	7/1989	Russell et al.	D8/366
D357,407	S	4/1995	Pate	
D375,718	S *	11/1996	Lazzeroni et al.	D12/223
5,624,045	A *	4/1997	Highsmith et al.	211/192
D387,970	S *	12/1997	Enslin	D8/349
5,704,495	A *	1/1998	Bale et al.	211/71.01
D394,862	S *	6/1998	Fischer	D14/253

(73) Assignee: **Edsal Manufacturing Company, Inc.**,
Chicago, IL (US)

(Continued)

(*) Notice: This patent is subject to a terminal disclaimer.

Primary Examiner — Kelley Donnelly

(74) *Attorney, Agent, or Firm* — Wood, Herron & Evans, LLP

(**) Term: **14 Years**

(57) **CLAIM**

The ornamental design for a shelf support beam, as shown and described.

(21) Appl. No.: **29/490,182**

DESCRIPTION

(22) Filed: **May 7, 2014**

Related U.S. Application Data

(63) Continuation of application No. 29/404,724, filed on Oct. 25, 2011, now Pat. No. Des. 714,577.

FIG. 1 is an isometric view of the shelf support beam of our new design;
FIG. 2 is a front isometric view thereof;
FIG. 3 is a rear isometric view thereof;
FIG. 4 is a front elevational view thereof;
FIG. 5 is a rear elevational view thereof;
FIG. 6 is a top plan view thereof;
FIG. 7 is a bottom view thereof;
FIG. 8 is a left side elevational view thereof, a right side elevational view being a mirror image;
FIG. 9 is a cross-sectional view of a portion of FIG. 2; and,
FIG. 10 is a rear cross section view of FIG. 9.

(51) **LOC (10) Cl.** **06-06**

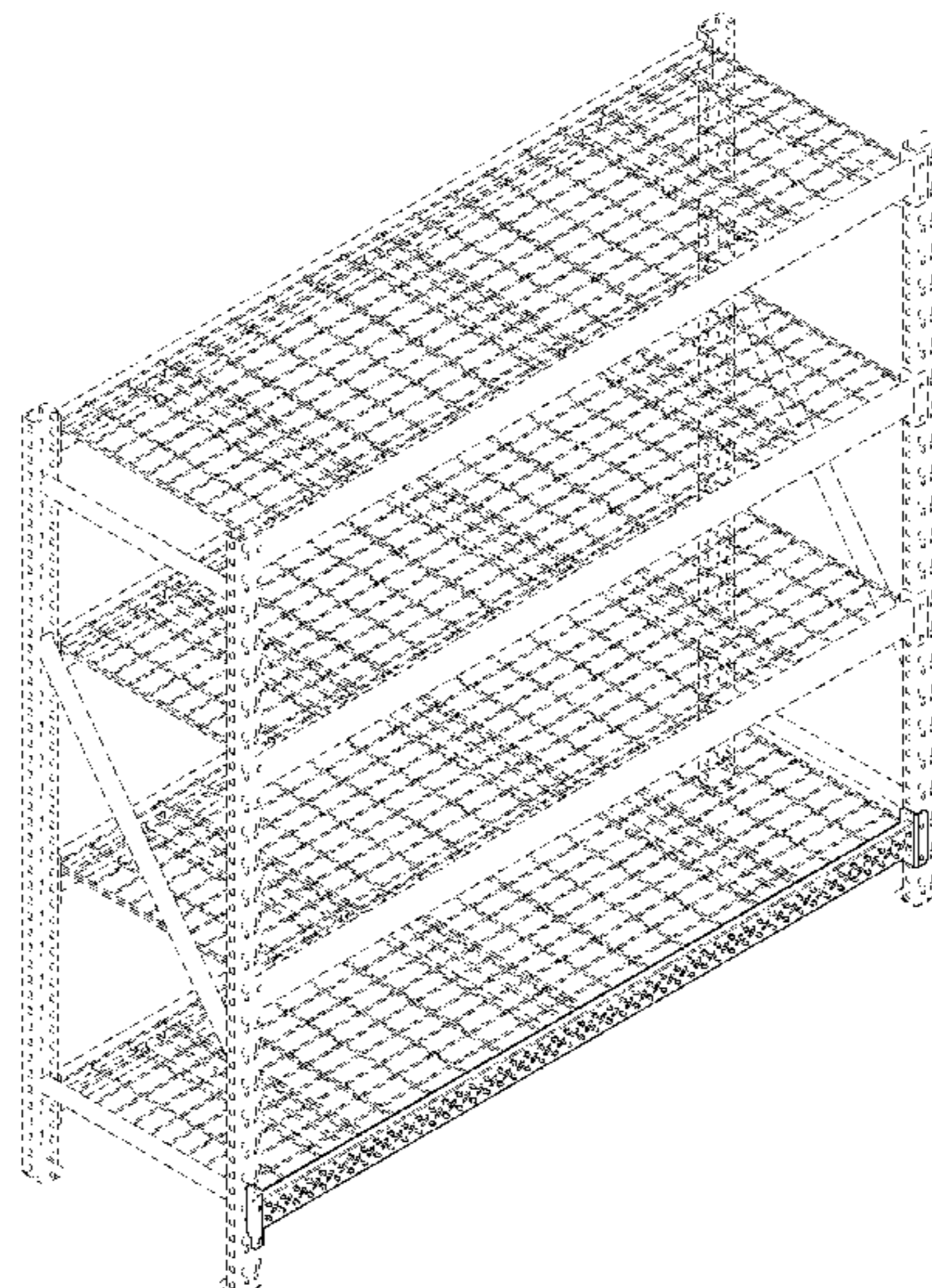
(52) **U.S. Cl.**
USPC **D6/705.5**

(58) **Field of Classification Search**
USPC D6/396, 491–492, 509–511, 702, 705,
D6/705.5; D25/119, 125–126; 248/441.1,
248/469, 473; 211/94.01; D8/380–381,
D8/356; 52/223.8, 649.2, 650.1
CPC A47B 96/021; A47B 96/06; A47B 96/066
See application file for complete search history.

The broken lines showing are included for the purpose of illustrating environment and form no part of the claimed design.

The diagonal lines illustrated on the end of the enlarged portion of the shelf support beam in FIG. 9 represent a cross-sectional view and does not form part of the claimed design.

1 Claim, 6 Drawing Sheets



(56)

References Cited

U.S. PATENT DOCUMENTS

D395,816 S	7/1998	Colodny		D628,539 S *	12/2010	Tezak et al.	D13/152
D398,219 S *	9/1998	Campman	D8/363	D630,087 S *	1/2011	Stram et al.	D8/356
D421,067 S	2/2000	Weiller		7,874,125 B2	1/2011	Polk, Jr.	
D445,019 S *	7/2001	Vitetta	D8/366	D633,781 S	3/2011	Wood	
D470,926 S	2/2003	Knight		D639,585 S	6/2011	Shen et al.	
D482,404 S	11/2003	McIlvaine		D640,123 S	6/2011	Stearns et al.	
D486,676 S	2/2004	Campbell et al.		D647,246 S	10/2011	Chadwick	
D490,260 S	5/2004	Bowen		D649,692 S	11/2011	Trzesniowski	
D490,697 S *	6/2004	Runnalls	D8/380	D651,433 S	1/2012	Le et al.	
6,988,347 B2	1/2006	Nanayakkara		D652,986 S	1/2012	Trzesniowski	
D537,325 S	2/2007	Wolff et al.		D653,528 S	2/2012	Choi et al.	
D537,326 S	2/2007	Wolff et al.		D658,913 S	5/2012	Troyner et al.	
D542,421 S	5/2007	Dempsey et al.		D659,449 S	5/2012	Lawson	
D547,641 S *	7/2007	Jueneman	D8/382	D660,462 S	5/2012	Chen	
D552,975 S	10/2007	Ahlund		D660,544 S	5/2012	Onayama	
D556,214 S *	11/2007	Fretwell	D15/5	D674,220 S	1/2013	Kim	
D565,399 S *	4/2008	Grey	D8/380	D677,502 S	3/2013	Ryan	
D576,526 S	9/2008	McBain		D683,983 S	6/2013	Troyner et al.	
D584,941 S	1/2009	Broehl et al.		D683,984 S	6/2013	Troyner et al.	
D592,938 S	5/2009	Pae et al.		D685,588 S *	7/2013	Stukenberg et al.	D6/657
D594,386 S	6/2009	Jorgensen et al.		D686,430 S	7/2013	Fitzgerald et al.	
D595,069 S	6/2009	Berry et al.		D690,189 S	9/2013	Wojtowicz et al.	
D597,353 S	8/2009	Liss et al.		D693,668 S	11/2013	Wojtowicz et al.	
D600,362 S	9/2009	Geffe		D696,344 S	12/2013	Ehrlich et al.	
D600,826 S	9/2009	Ratanasiriwilai		D696,575 S	12/2013	Heindl	
D602,764 S	10/2009	Pae et al.		D702,466 S	4/2014	Kim	
D604,537 S	11/2009	Liss et al.		D703,029 S *	4/2014	Fox	D8/373
7,625,467 B2	12/2009	Ando et al.		D713,187 S	9/2014	Troyner et al.	
D609,825 S	2/2010	Clarke et al.		D714,577 S	10/2014	Troyner et al.	
D611,327 S *	3/2010	Chawgo	D8/356	D716,090 S *	10/2014	Schepens	D6/705.7
D618,365 S	6/2010	Crane		2006/0175274 A1	8/2006	Yang	
D625,534 S	10/2010	Chen		2006/0195980 A1	9/2006	Nagley	
D626,817 S	11/2010	Donowho et al.		2010/0139188 A1	6/2010	Callentine et al.	
				2012/0025038 A1	2/2012	Seelman et al.	
				2012/0080655 A1	4/2012	Coffin	
				2012/0138758 A1	6/2012	Graber	

* cited by examiner

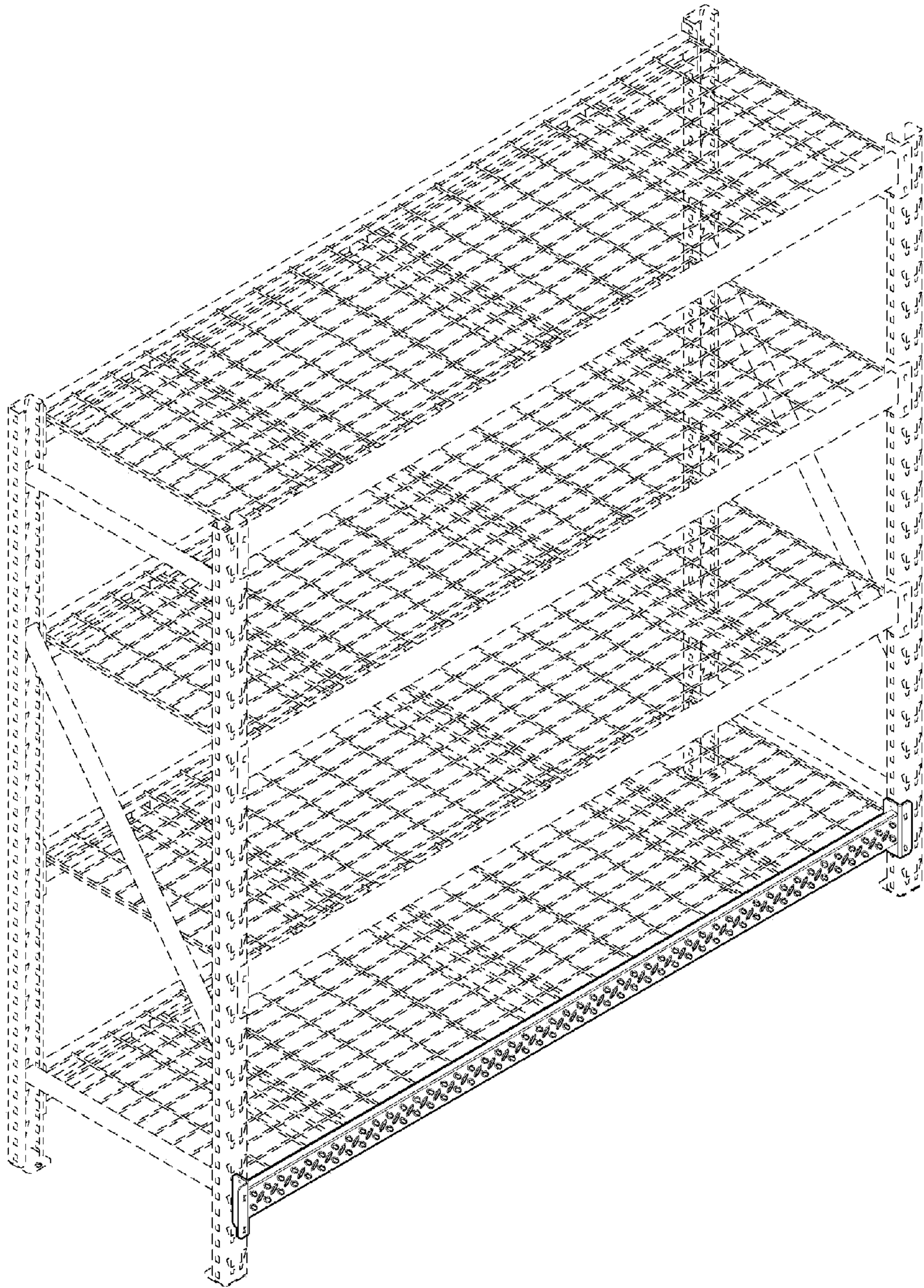


FIG. 1

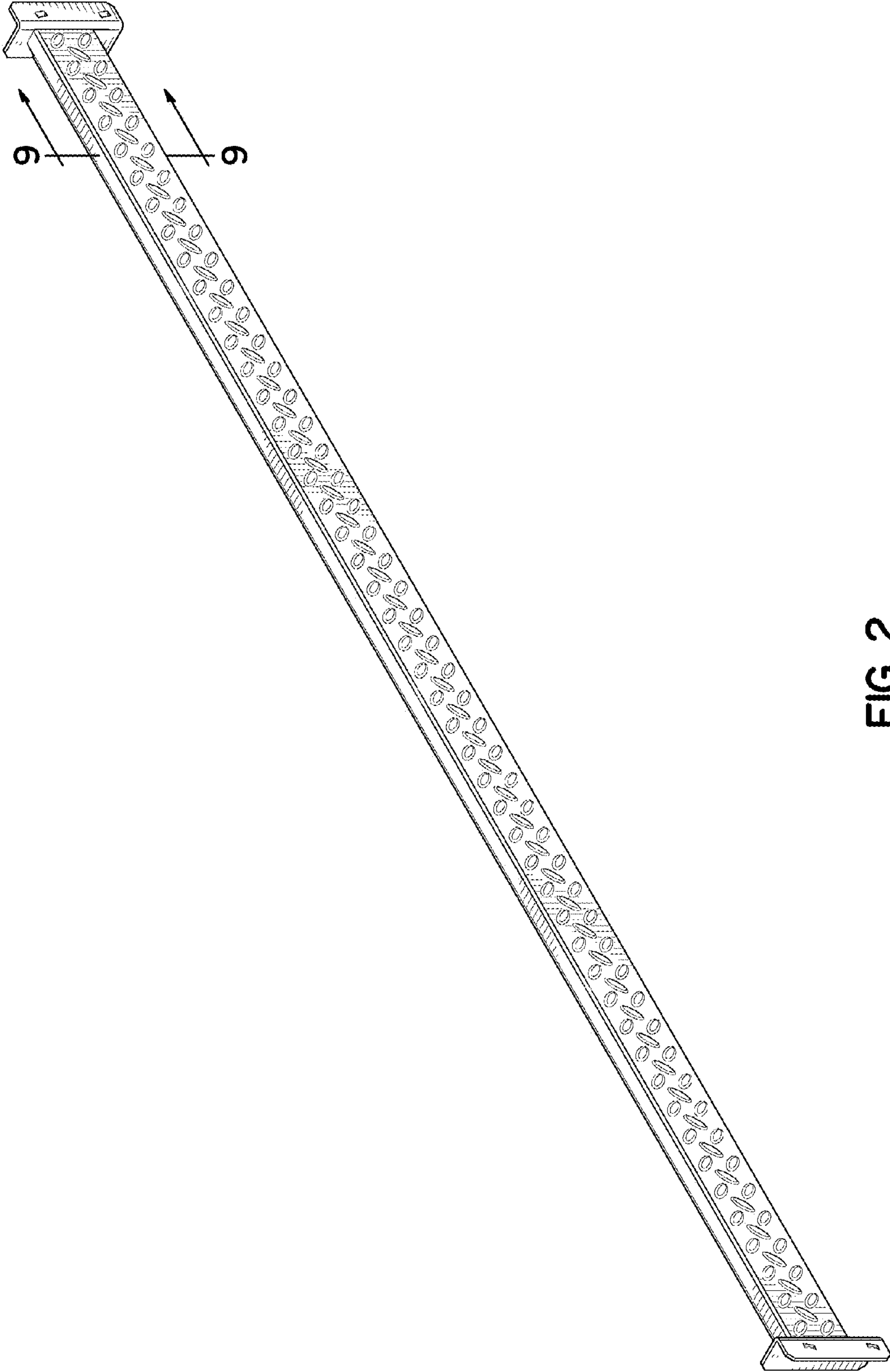


FIG. 2

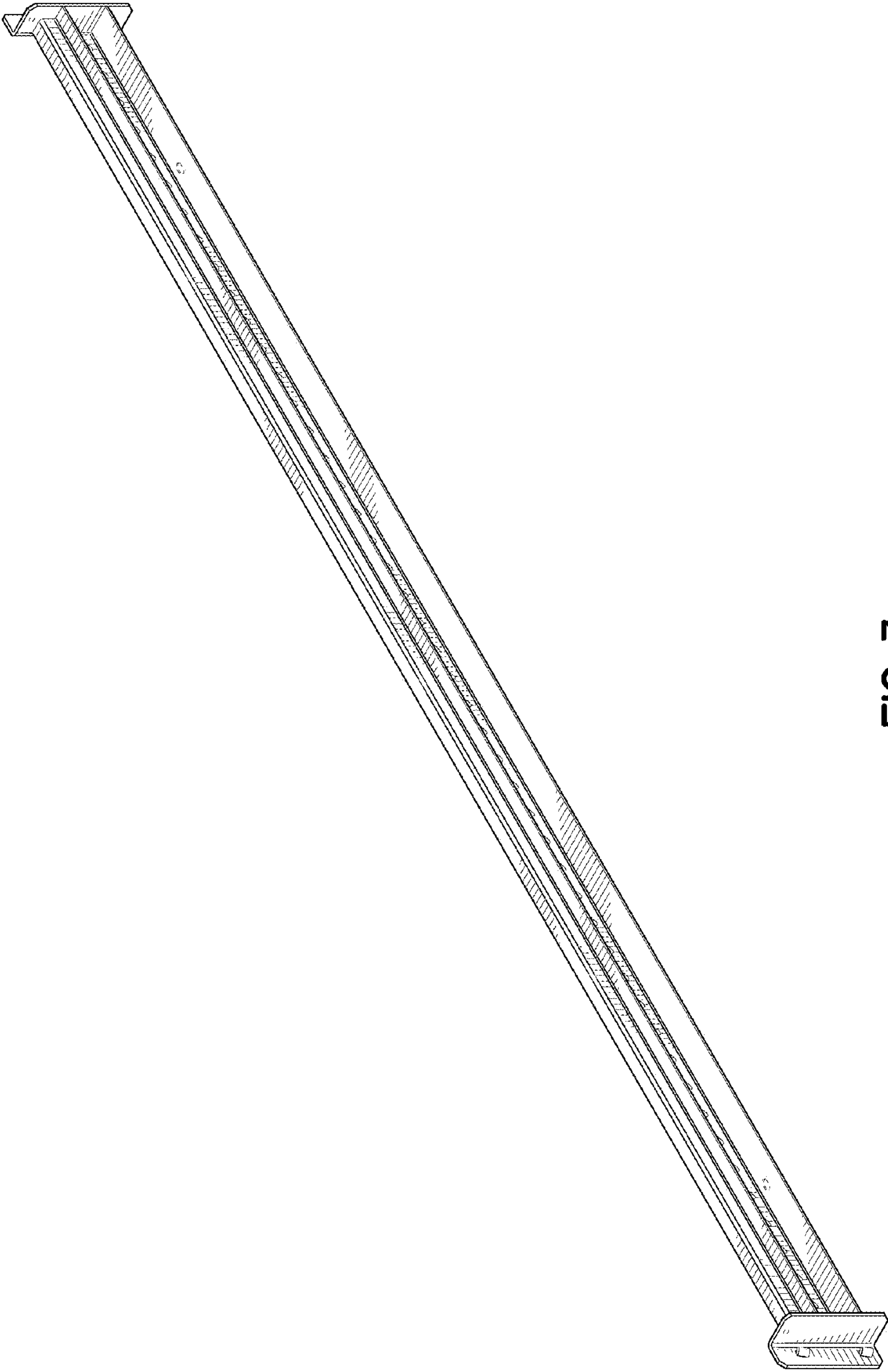


FIG. 3

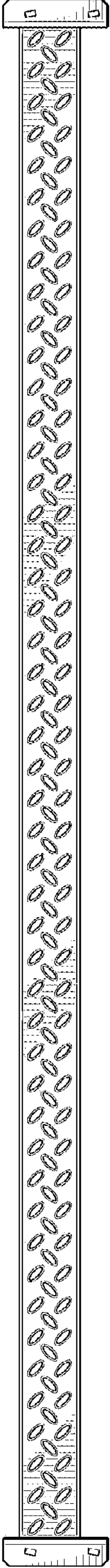


FIG. 4

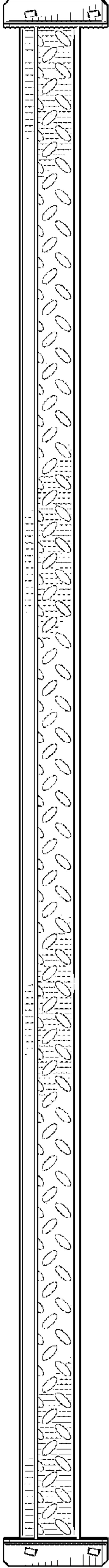


FIG. 5

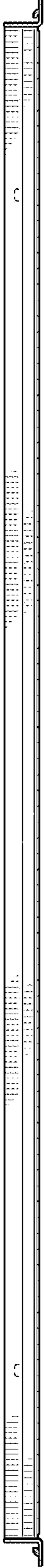


FIG. 6

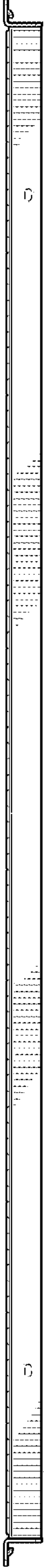


FIG. 7

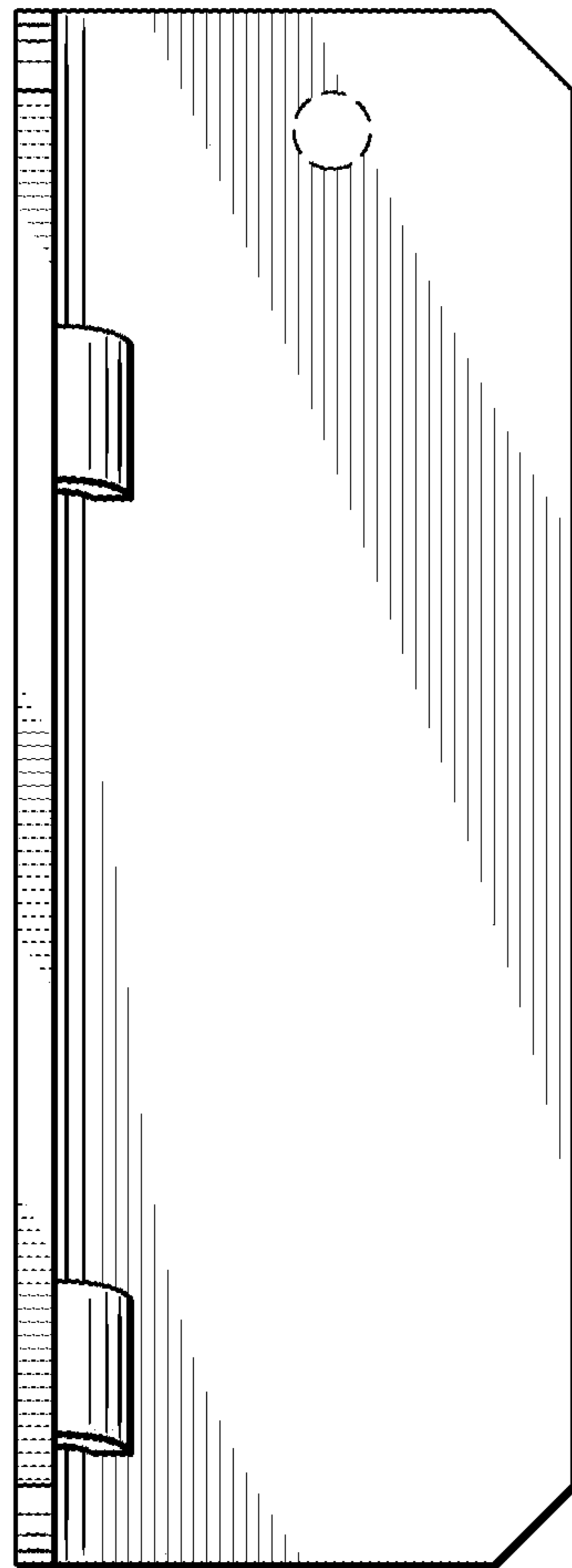


FIG. 8

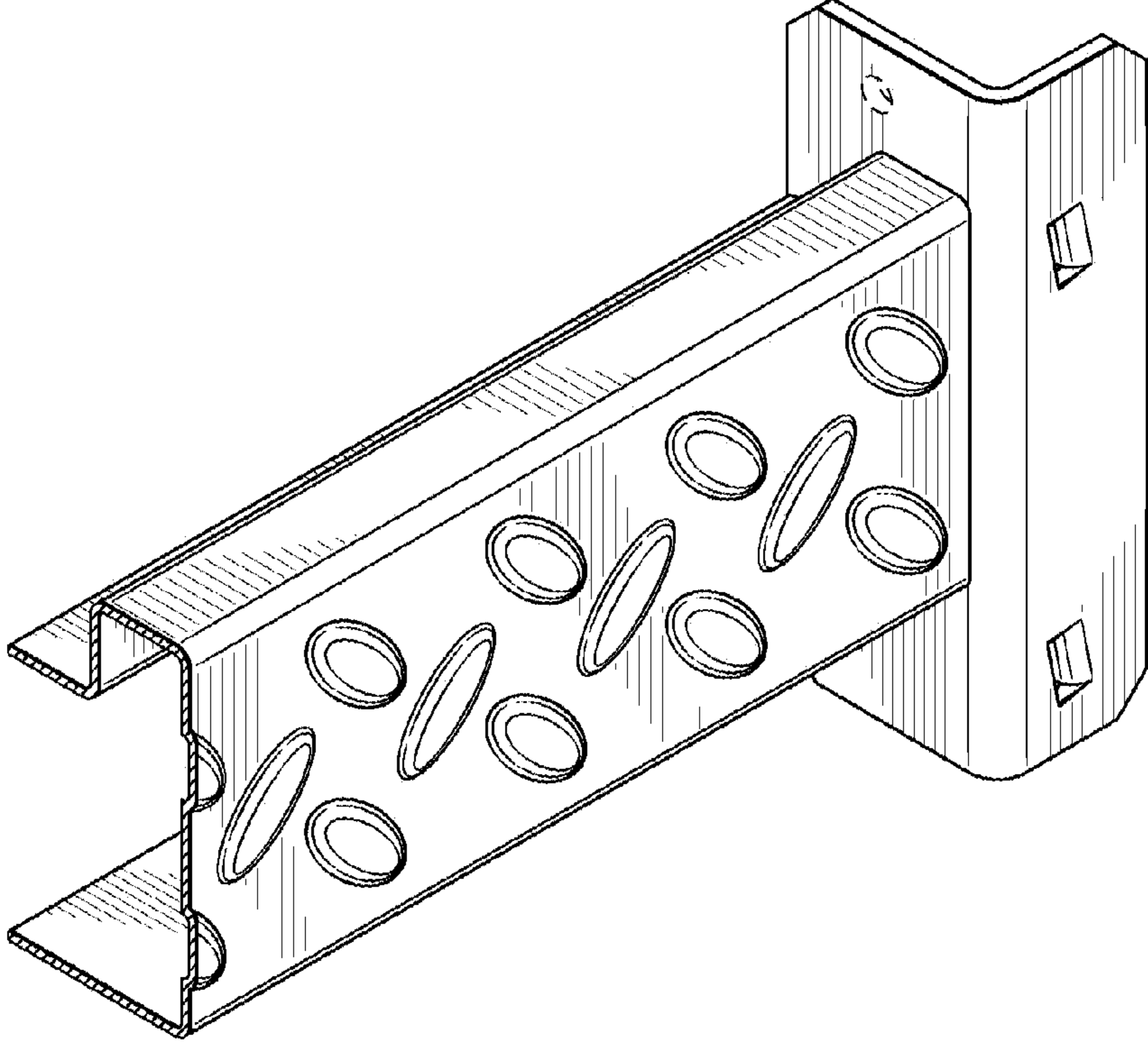


FIG. 9

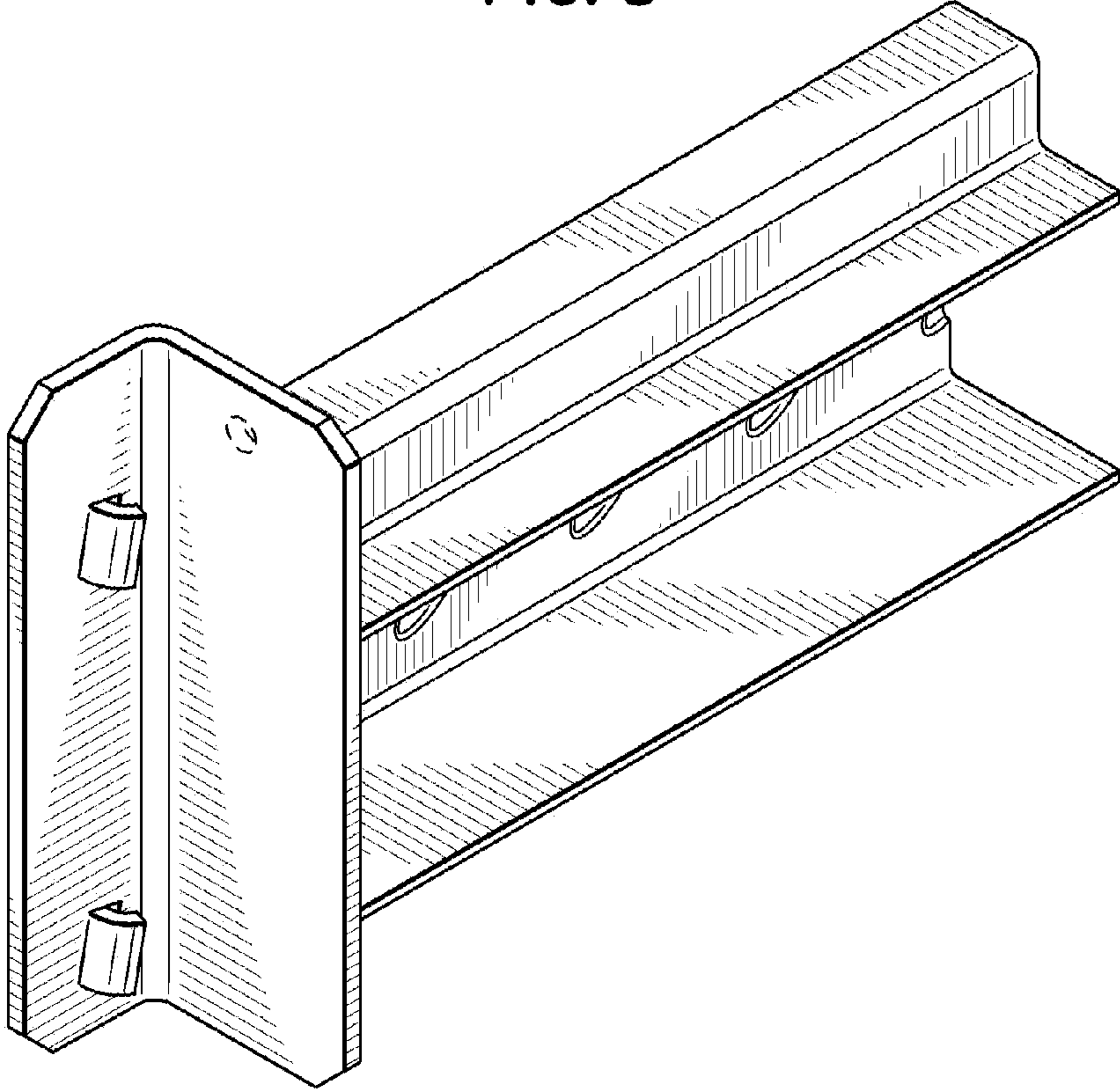


FIG. 10