



US00D737611S

(12) **United States Design Patent**
Sherman

(10) **Patent No.:** **US D737,611 S**

(45) **Date of Patent:** **** Sep. 1, 2015**

(54) **SIDE TABLE**

(71) Applicant: **Brad Jay Sherman**, Seattle, WA (US)

(72) Inventor: **Brad Jay Sherman**, Seattle, WA (US)

(**) Term: **14 Years**

(21) Appl. No.: **29/485,652**

(22) Filed: **Mar. 20, 2014**

(51) **LOC (10) Cl.** **06-03**

(52) **U.S. Cl.**
USPC **D6/693.3**

(58) **Field of Classification Search**

USPC D6/693, 696.3, 707.21; D11/142
CPC A47B 7/00; A47B 13/00; A47B 13/02;
A47B 13/04; A47B 13/06; A47B 2200/11;
A47B 91/00; A47B 91/005; A47B 13/08;
A47B 13/088; A47B 2200/001; A47B 13/10;
A47B 2200/0003; A47B 3/00; A47B
2200/0035

See application file for complete search history.

(56) **References Cited**

U.S. PATENT DOCUMENTS

D265,450 S *	7/1982	Berryman	D6/691
D291,951 S *	9/1987	Lorio	D6/697
D292,052 S *	9/1987	Lorio	D6/691
D609,505 S *	2/2010	Phookan et al.	D6/690

* cited by examiner

Primary Examiner — Janice Seeger

(74) *Attorney, Agent, or Firm* — Lyman H. Smith

(57) **CLAIM**

The ornamental design for a side table, as shown and described.

DESCRIPTION

FIG. 1 is a perspective view of a first embodiment of a side table;

FIG. 2 is a front view of the side table of FIG. 1;

FIG. 3 is a rear view of the side table of FIG. 1;

FIG. 4 is a left side view of the side table of FIG. 1, the right side view being a mirror image thereof;

FIG. 5 is a top view of the side table of FIG. 1;

FIG. 6 is a bottom view of the side table of FIG. 1;

FIG. 7 is a perspective view of another embodiment of a side table;

FIG. 8 is a front view of the side table of FIG. 7;

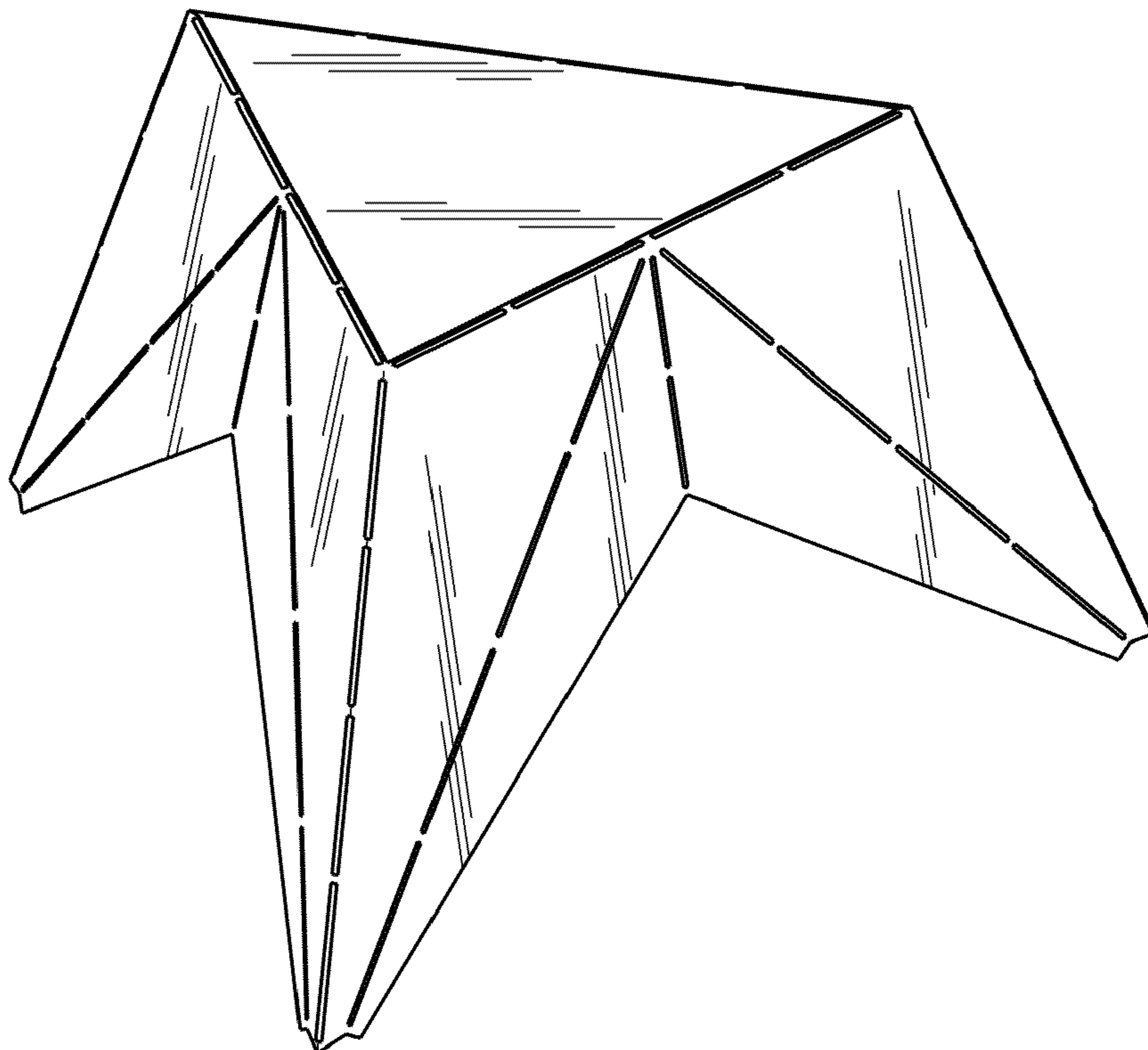
FIG. 9 is a rear view of the side table of FIG. 7;

FIG. 10 is a left side view of the side table of FIG. 7, the right side view being a mirror image thereof;

FIG. 11 is a top view of the side table of FIG. 7; and,

FIG. 12 is a bottom view of the side table of FIG. 7.

1 Claim, 6 Drawing Sheets



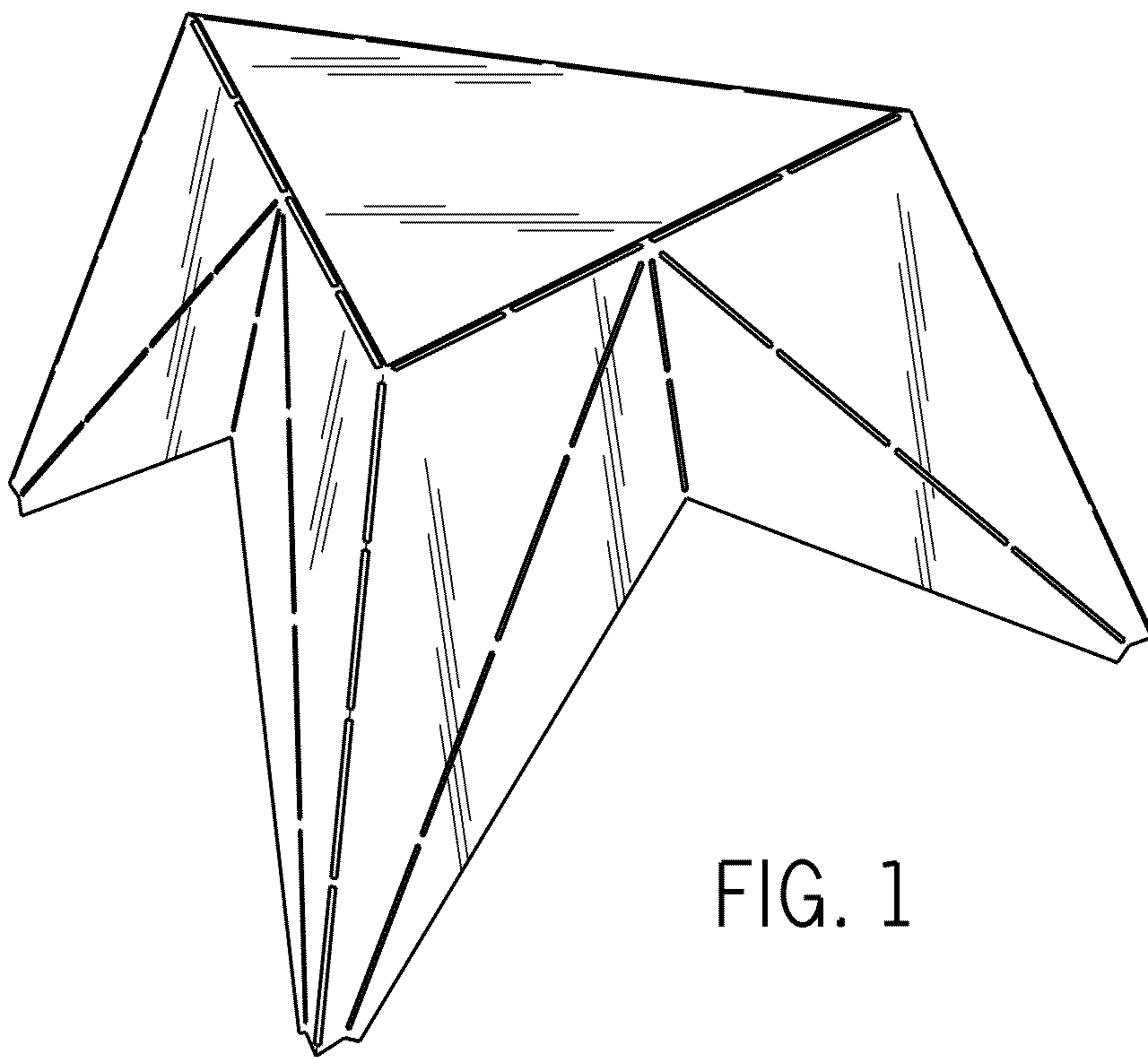


FIG. 1

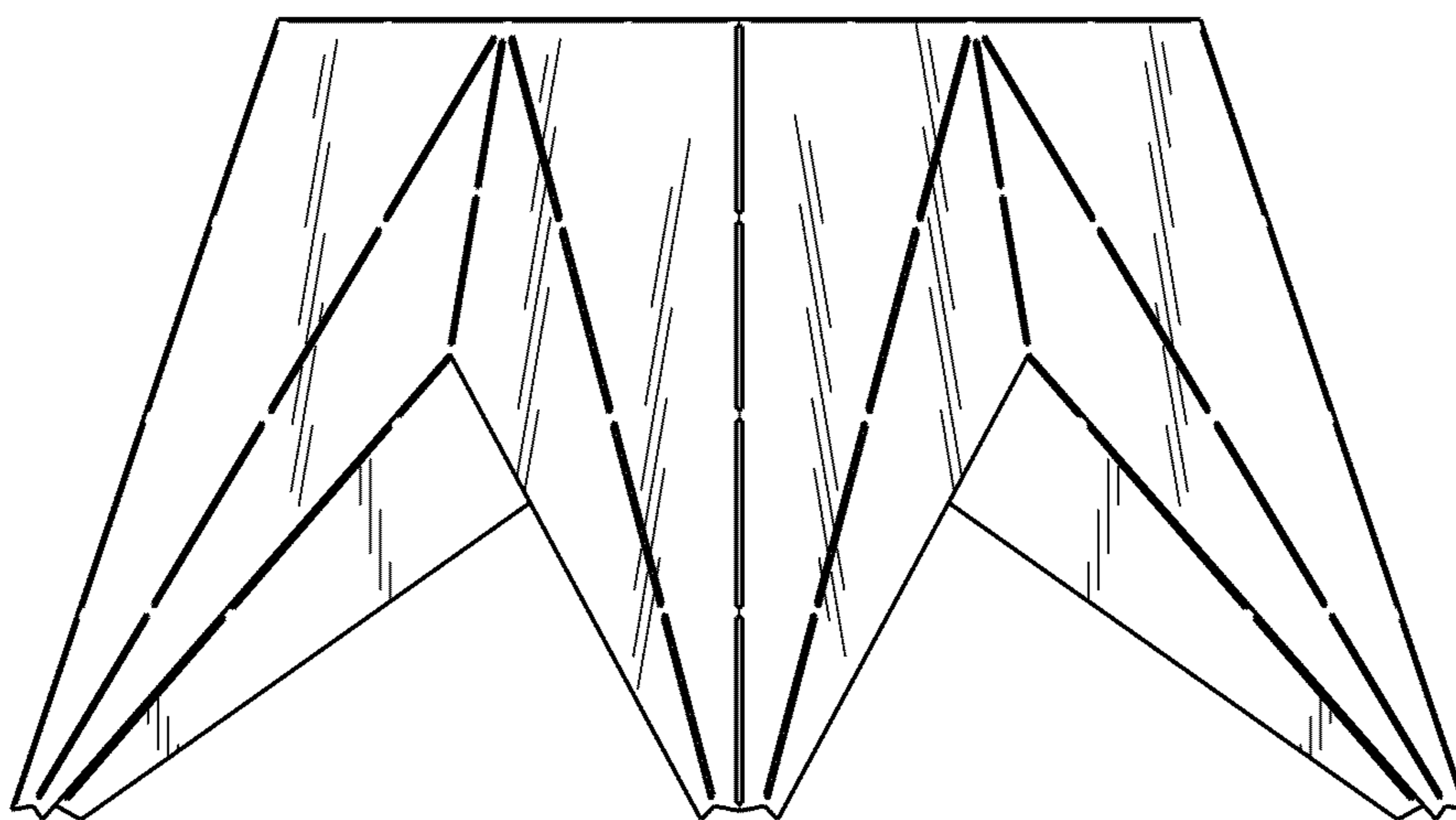


FIG. 2

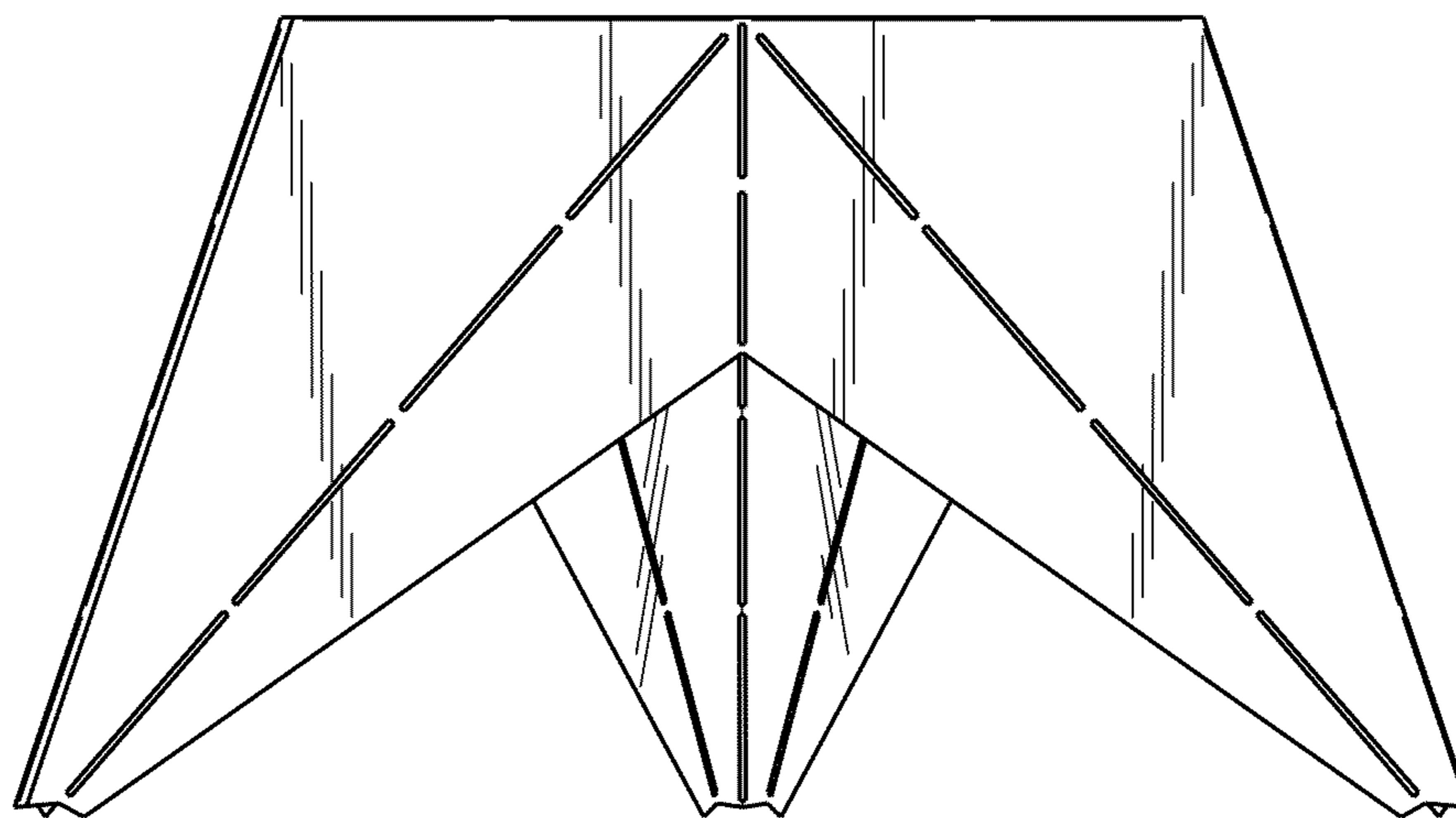


FIG. 3

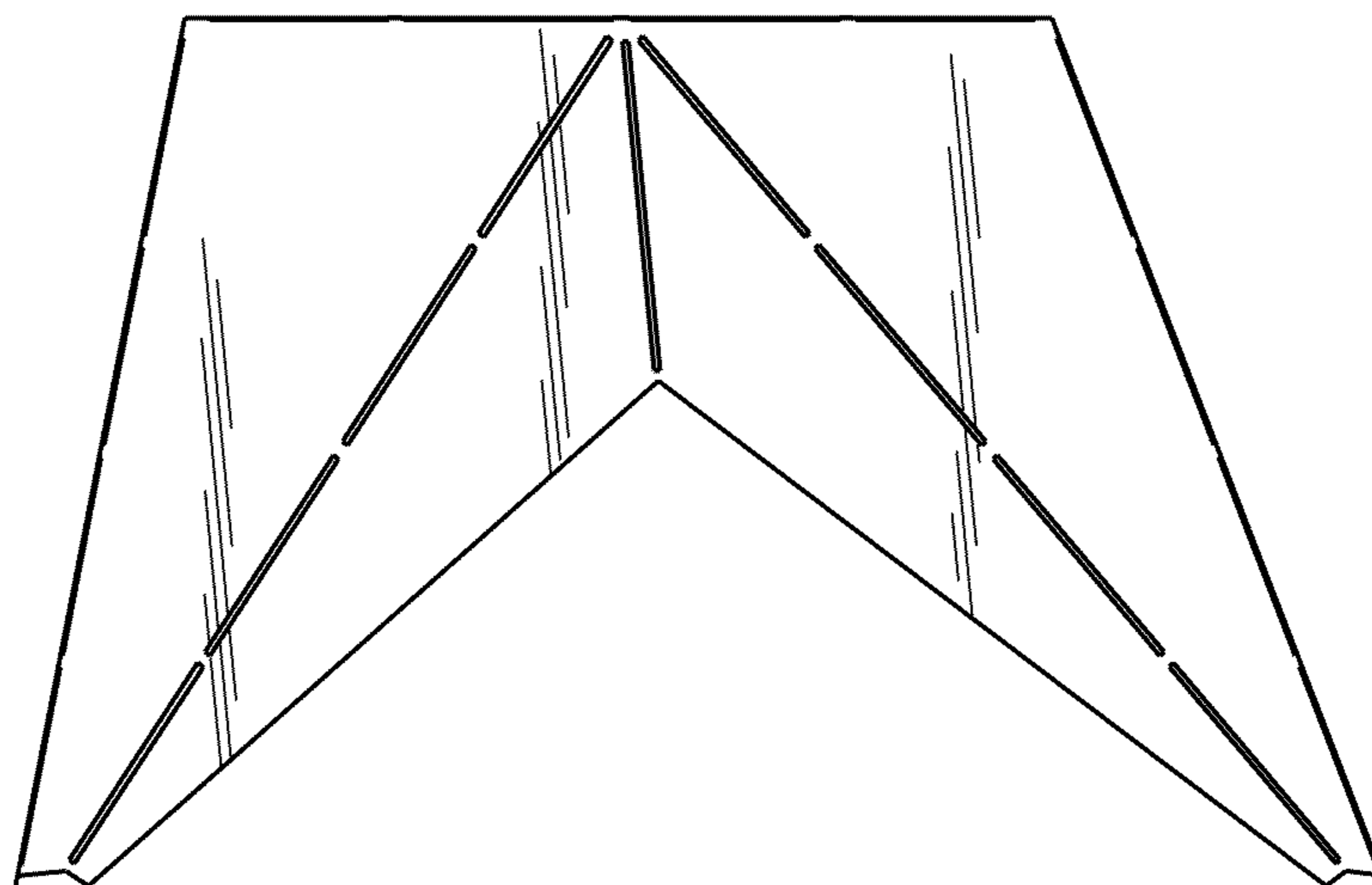


FIG. 4

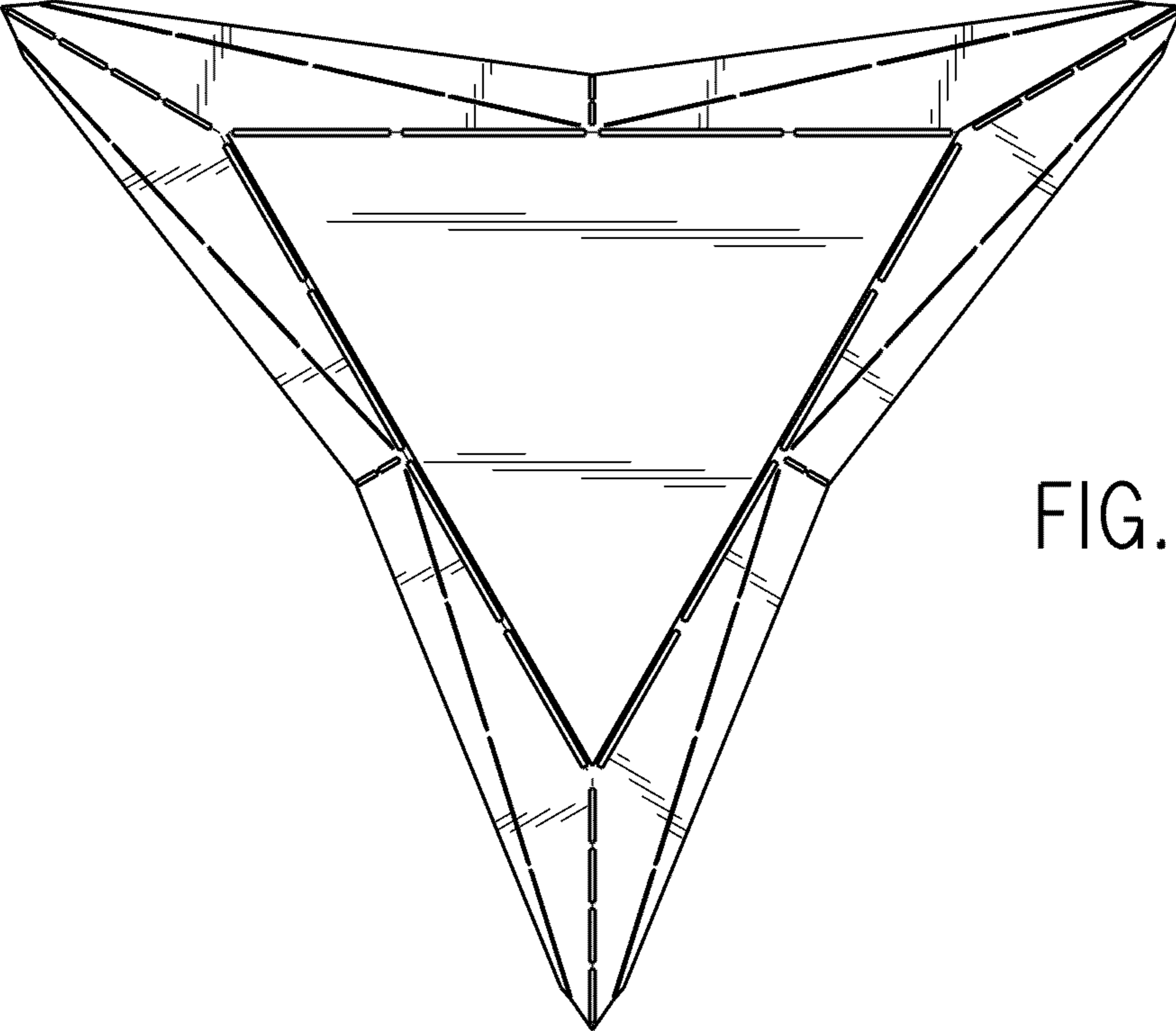


FIG. 5

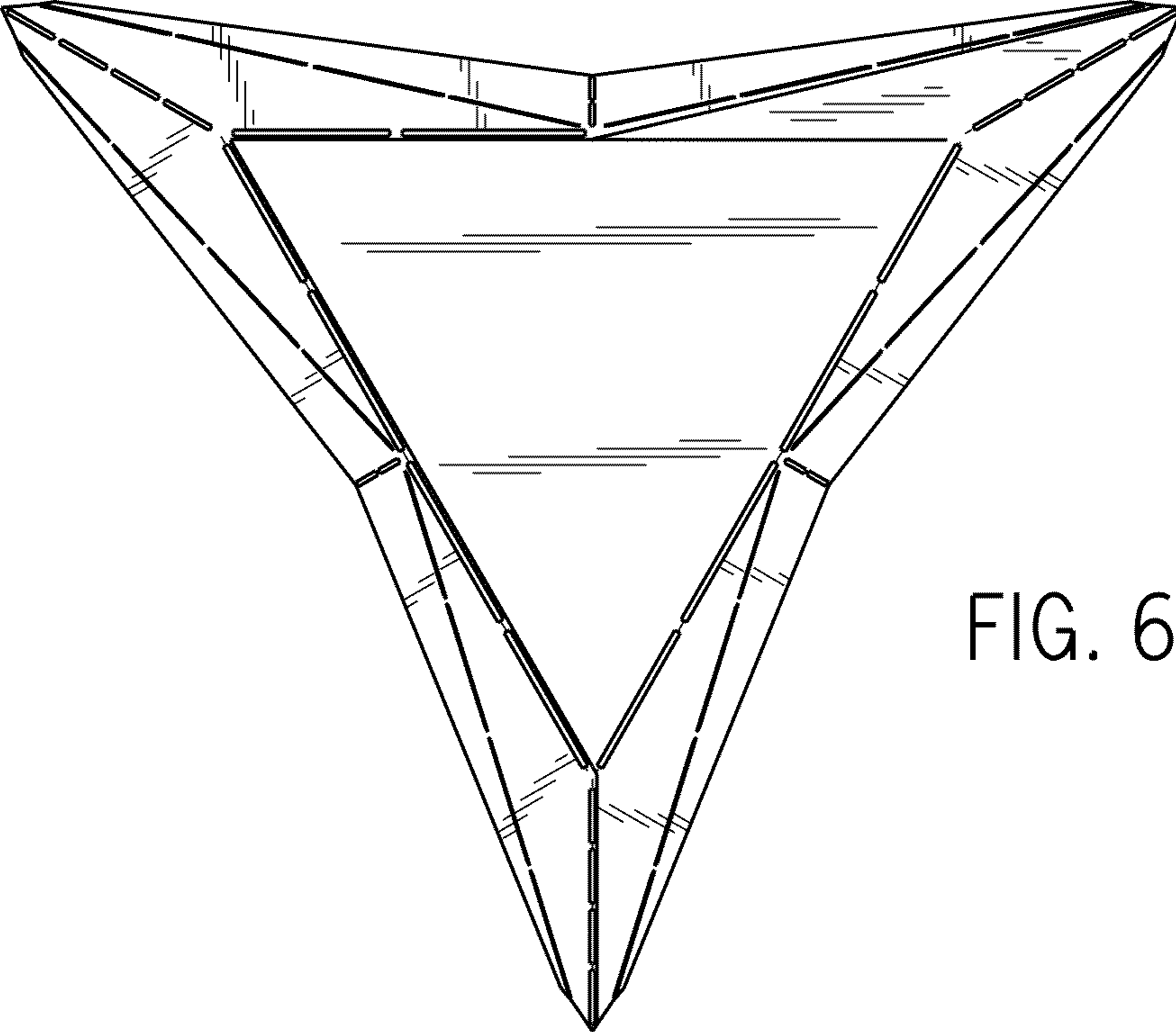


FIG. 6

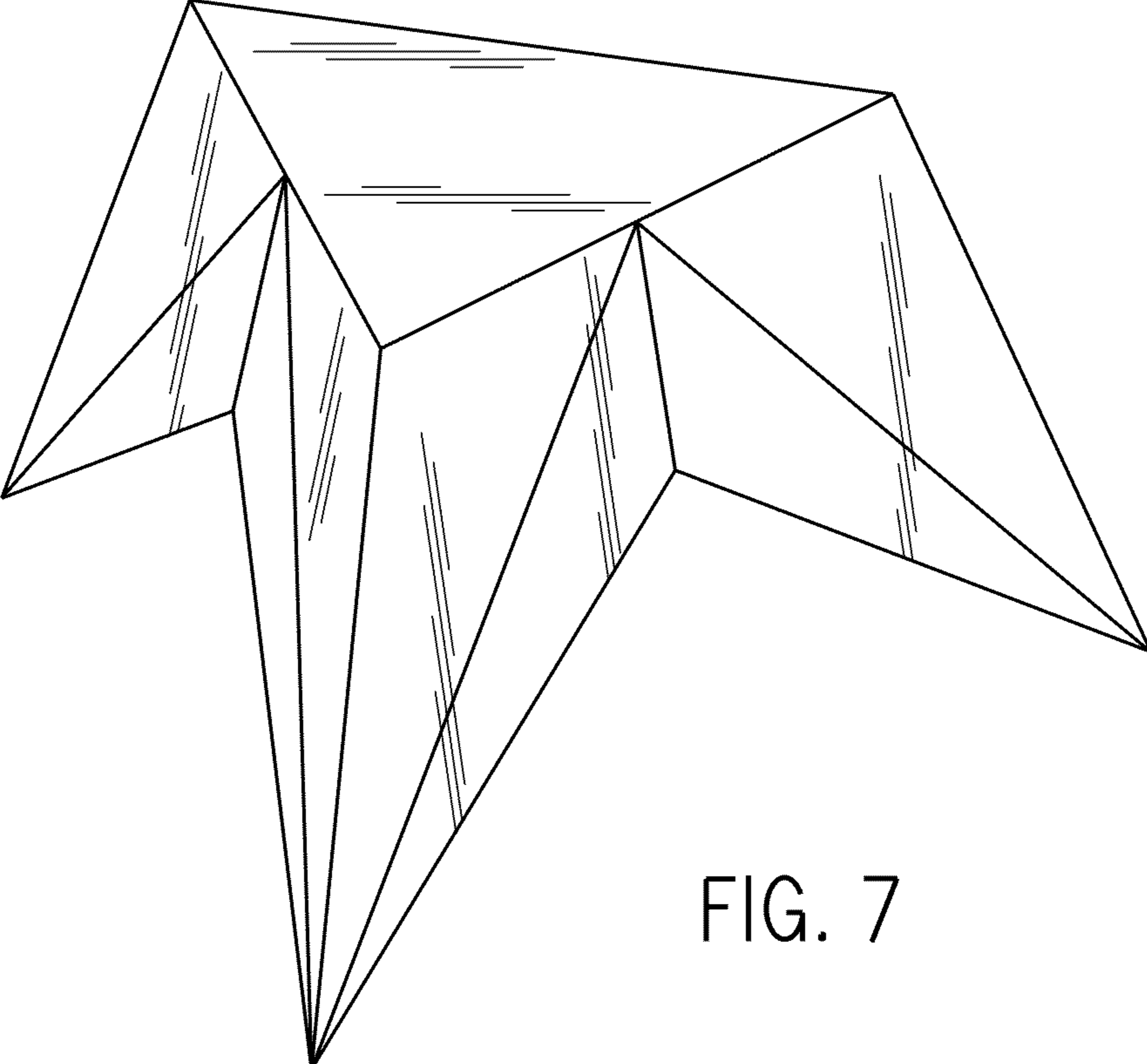


FIG. 7

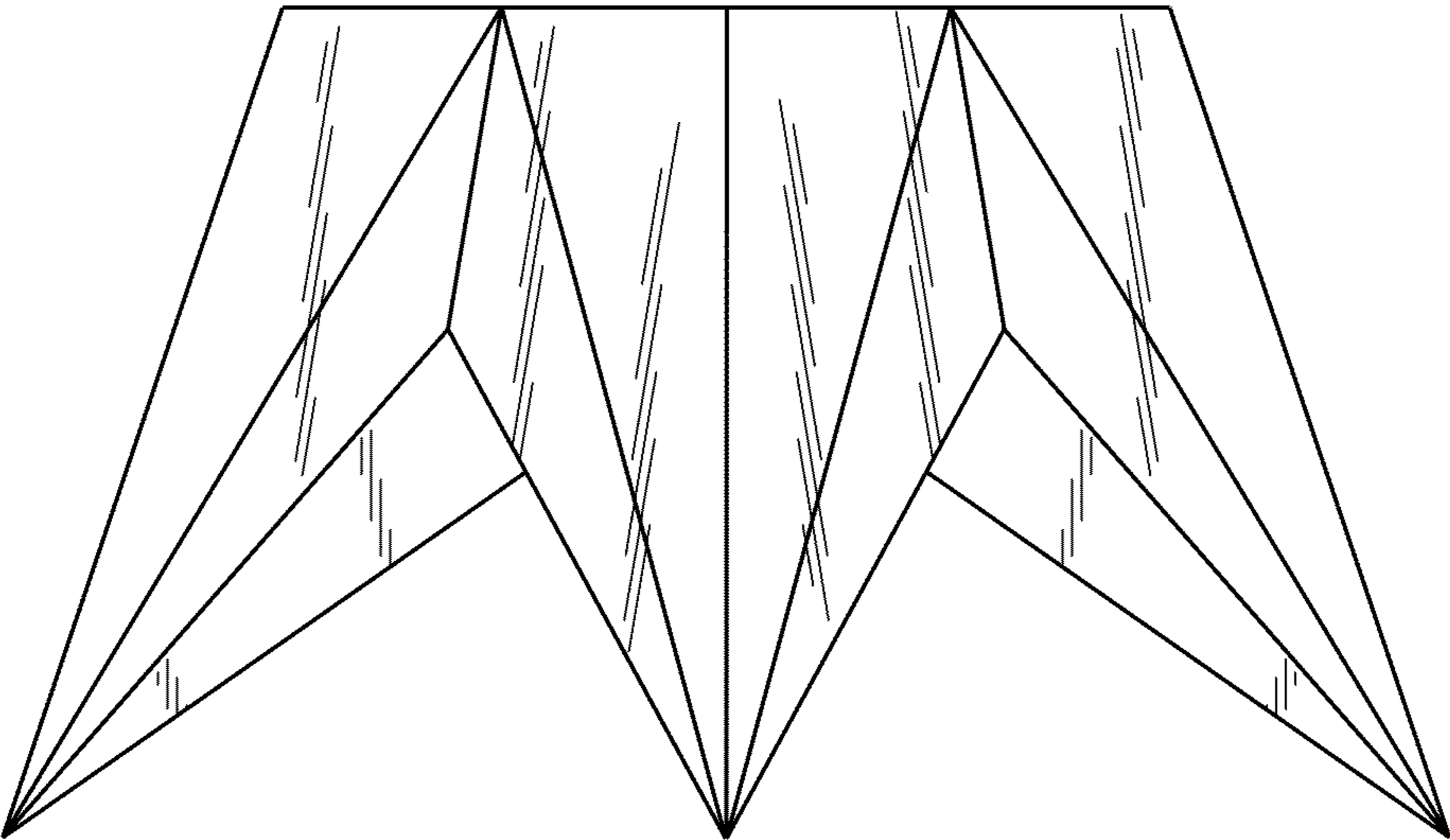


FIG. 8

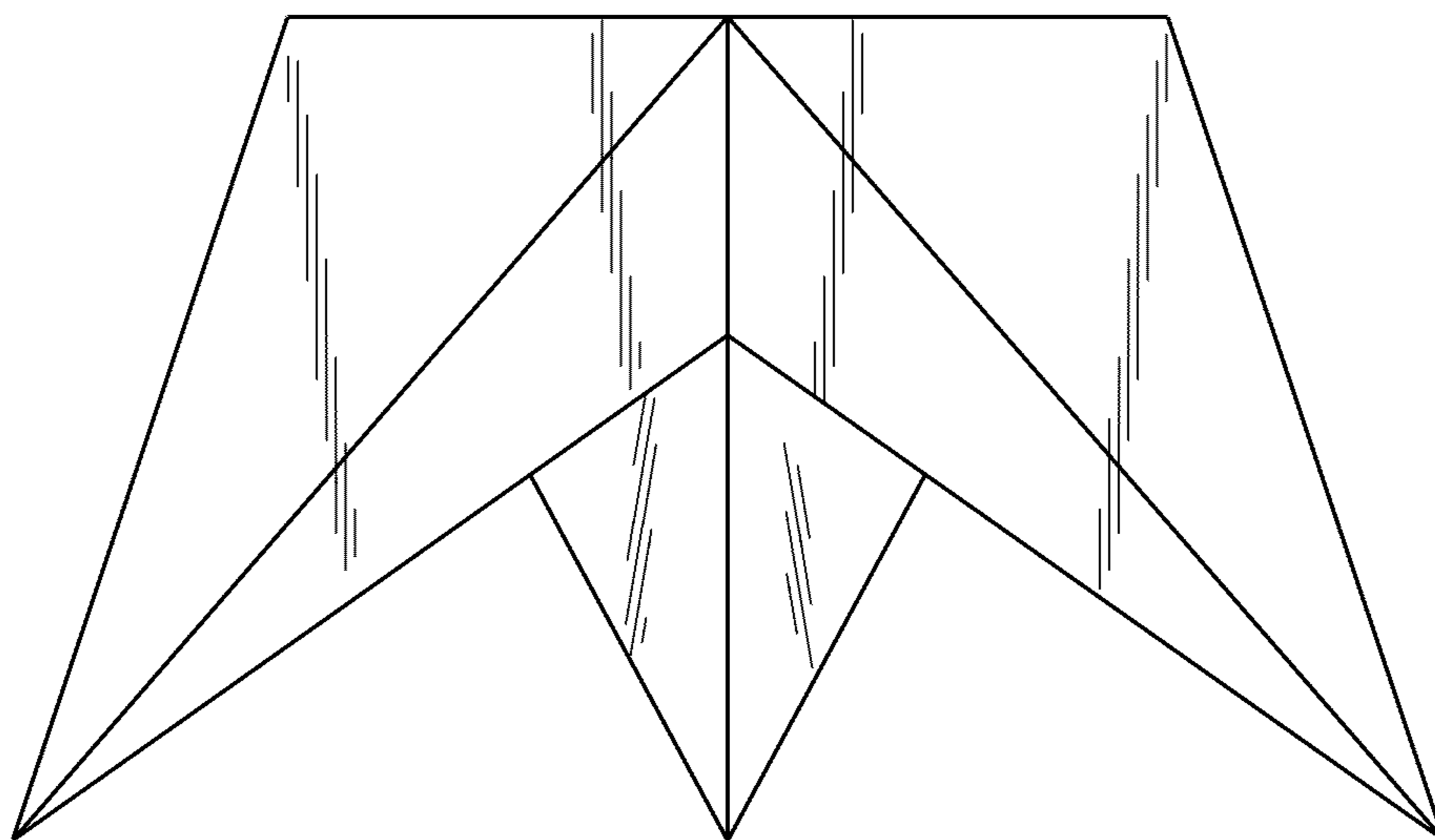


FIG. 9

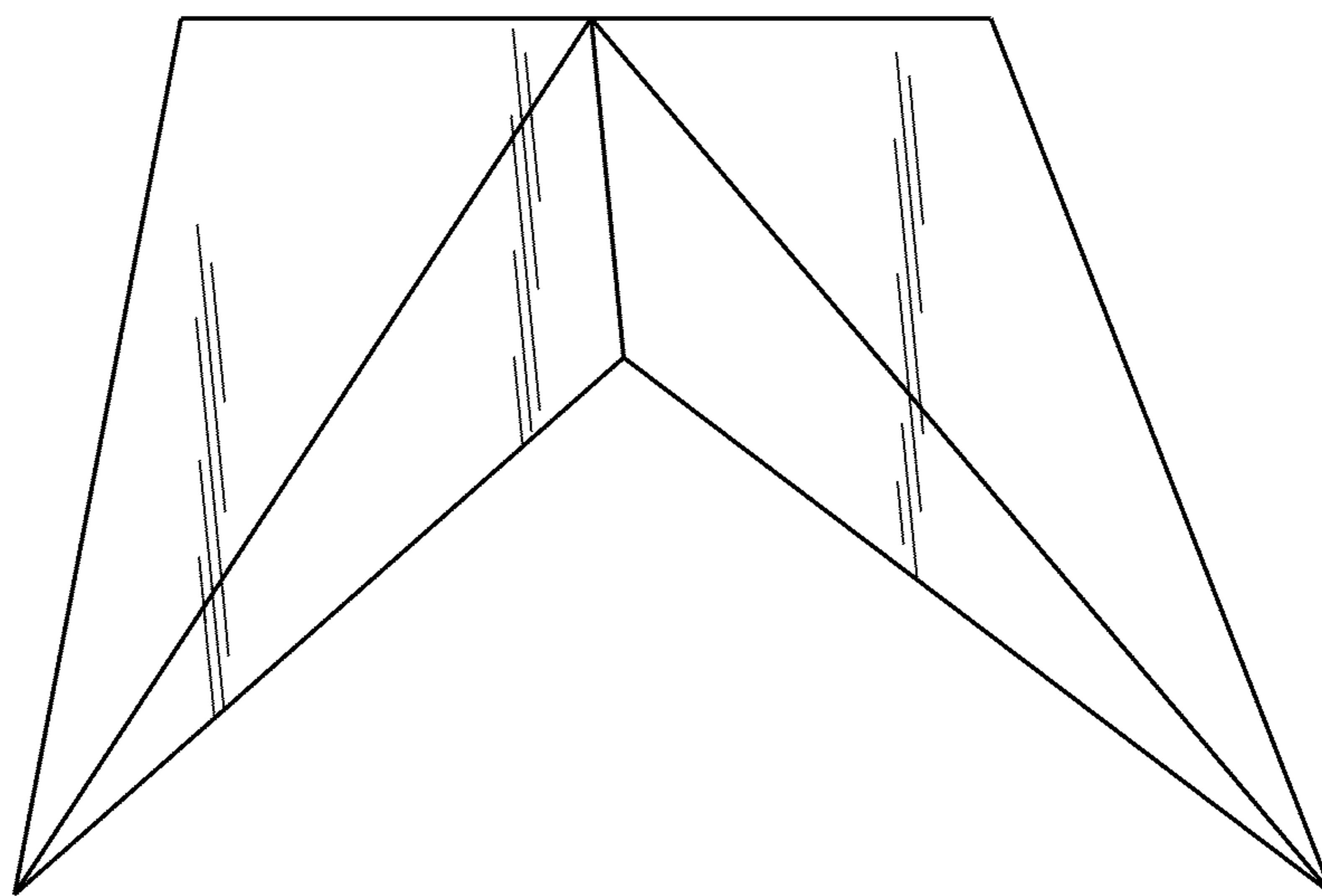


FIG. 10

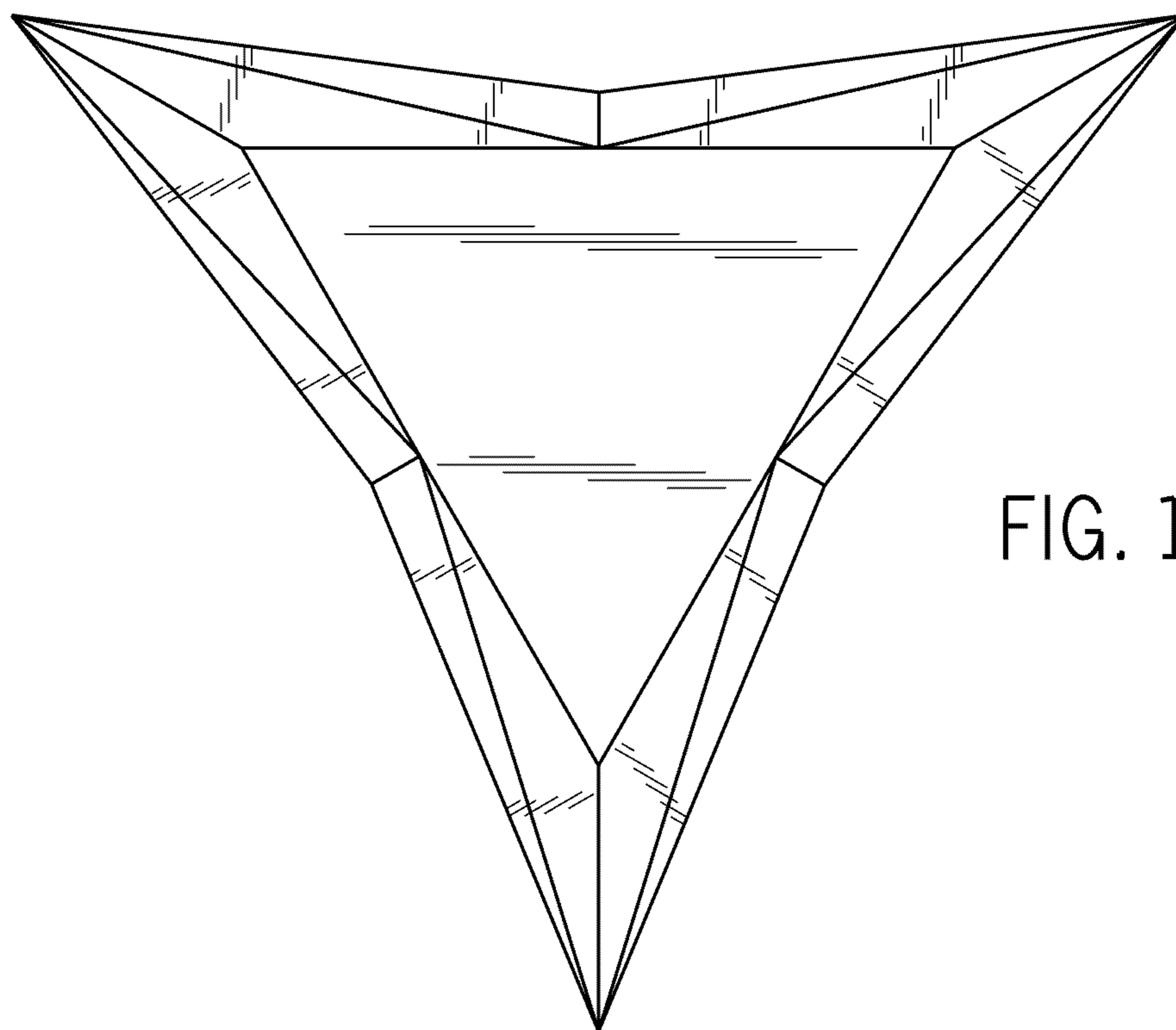


FIG. 11

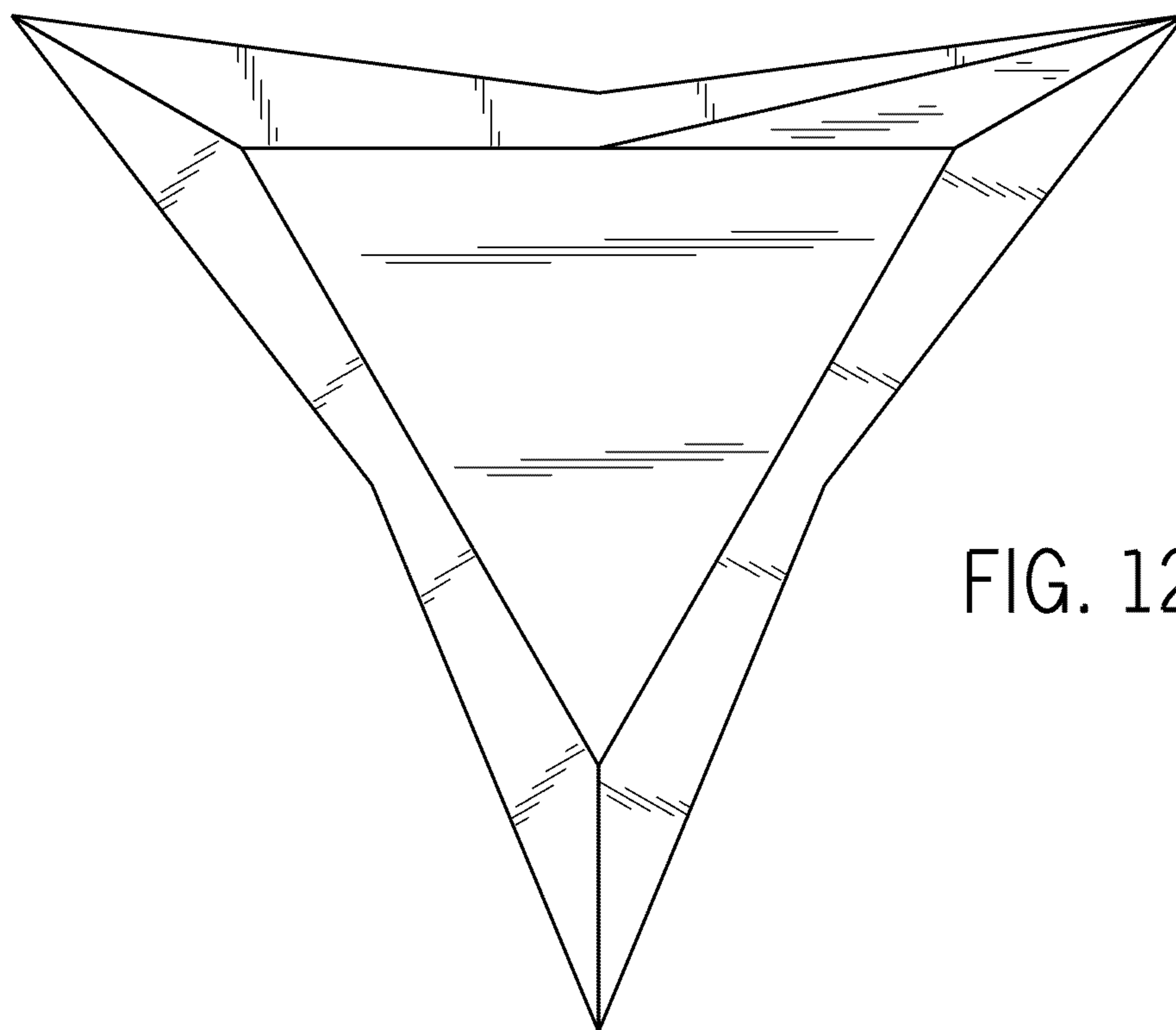


FIG. 12