



US00D737609S

(12) **United States Design Patent**  
**Nishikawa**

(10) **Patent No.:** **US D737,609 S**  
(45) **Date of Patent:** **\*\* Sep. 1, 2015**

(54) **CONSOLE TABLE**

(71) Applicant: **Yuko Nishikawa**, Brooklyn, NY (US)

(72) Inventor: **Yuko Nishikawa**, Brooklyn, NY (US)

(73) Assignee: **DONGHIA, INC.**, Milford, CT (US)

(\*\*) Term: **14 Years**

(21) Appl. No.: **29/484,410**

(22) Filed: **Mar. 10, 2014**

(51) **LOC (10) Cl.** ..... **06-03**

(52) **U.S. Cl.**  
USPC ..... **D6/691.5**

(58) **Field of Classification Search**  
USPC ..... D6/691, 691.1, 691.3, 691.5, 691.8,  
D6/691.9

CPC ..... A47B 7/00; A47B 13/00; A47B 13/02;  
A47B 13/04; A47B 13/06; A47B 2200/11;  
A47B 91/00; A47B 91/005; A47B 13/08;  
A47B 13/088; A47B 2200/001

See application file for complete search history.

(56) **References Cited**

U.S. PATENT DOCUMENTS

D227,329	S	*	6/1973	Grossman	.....	D6/690
4,014,270	A	*	3/1977	King	.....	108/186
D505,282	S	*	5/2005	Miyakawa	.....	D6/691.8
D577,929	S	*	10/2008	Le	.....	D6/691.8

\* cited by examiner

*Primary Examiner* — Janice Seeger

(74) *Attorney, Agent, or Firm* — Michael A. Blake

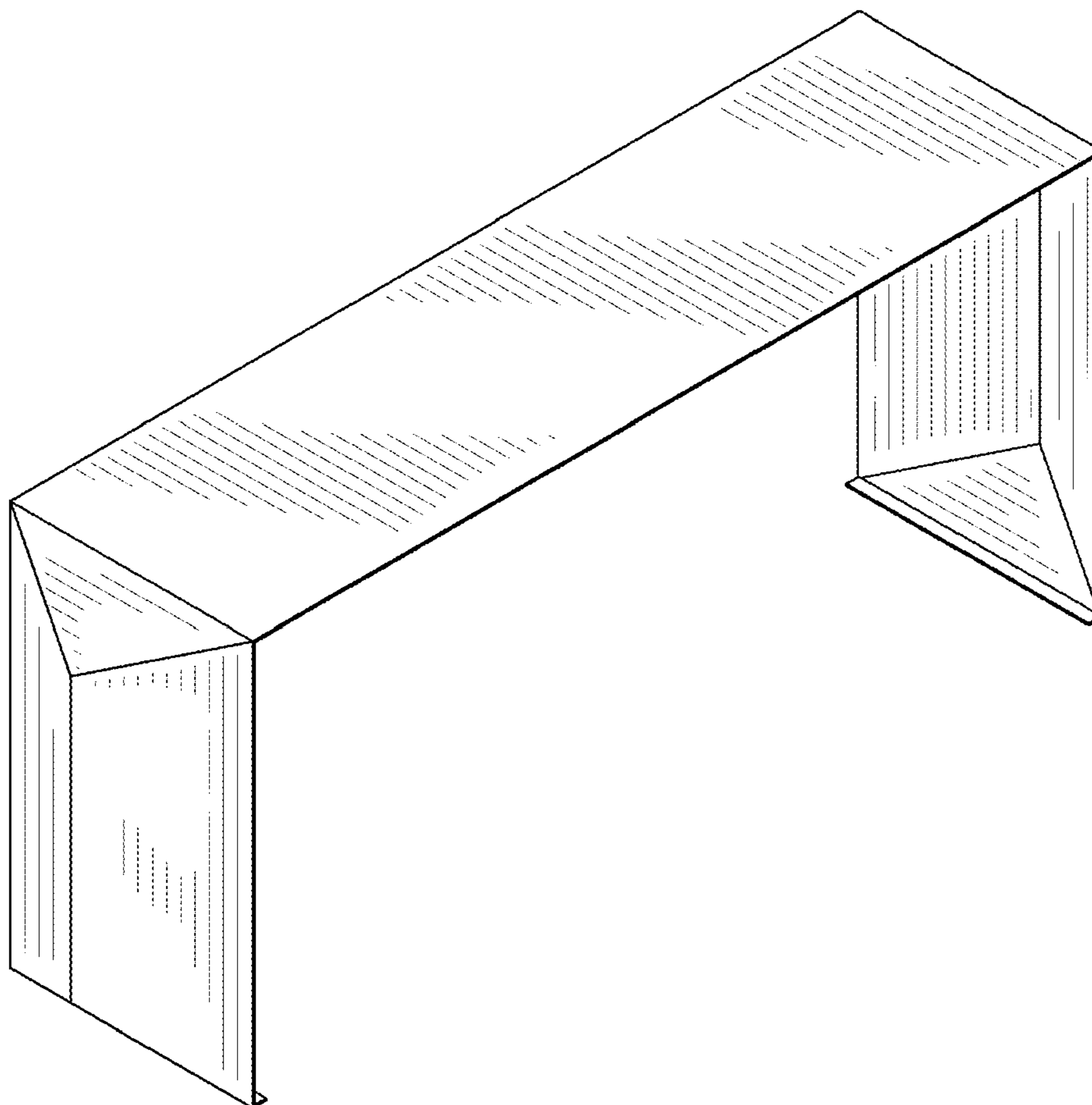
(57) **CLAIM**

The ornamental design for a console table, as shown and described.

**DESCRIPTION**

FIG. 1 is a top perspective view of the console table;  
FIG. 2 is a front view of the console table;  
FIG. 3 is a side view of the console table;  
FIG. 4 is a top view of the console table; and,  
FIG. 5 is a bottom perspective view of the console table.

**1 Claim, 3 Drawing Sheets**



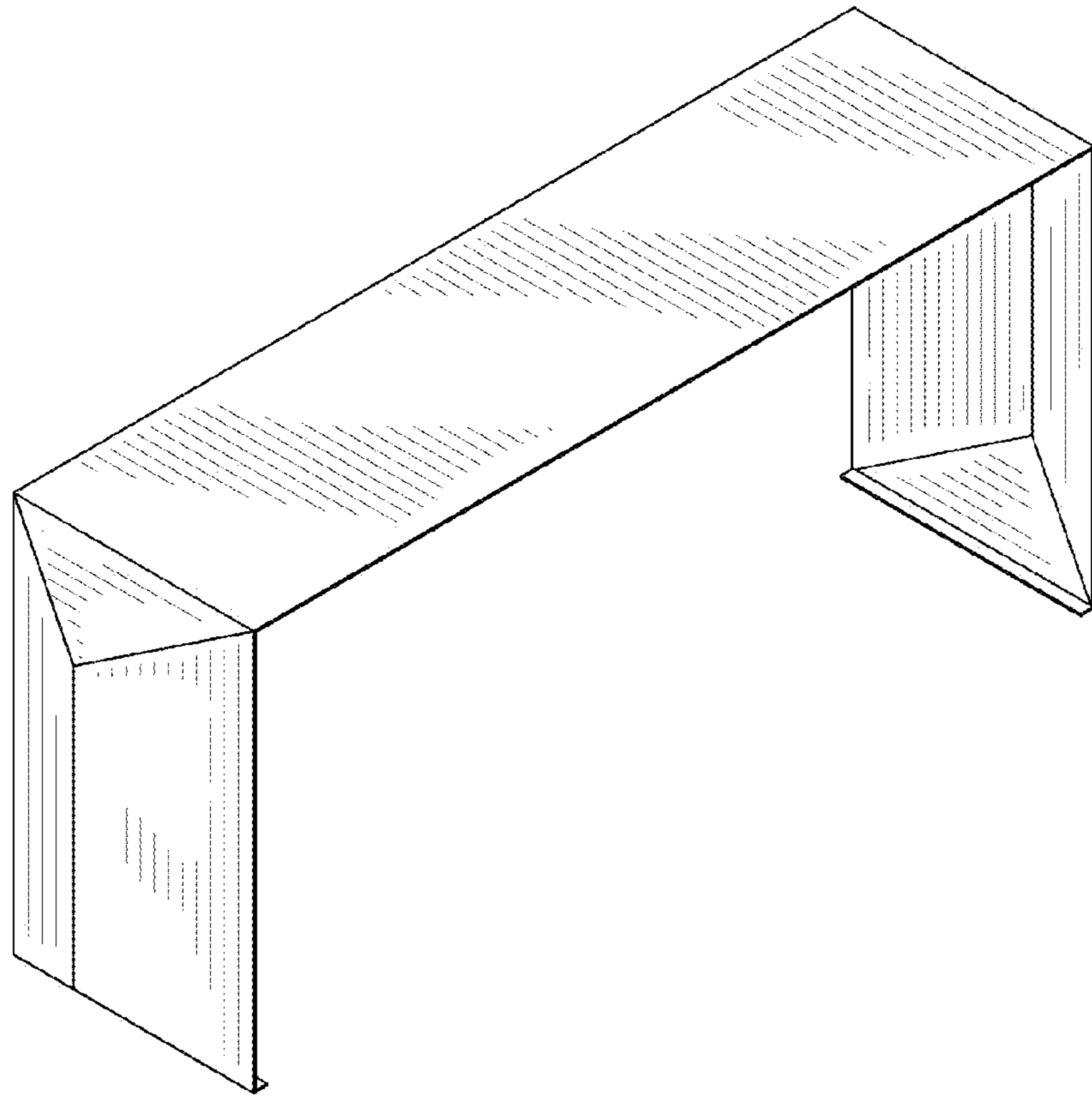


FIG. 1

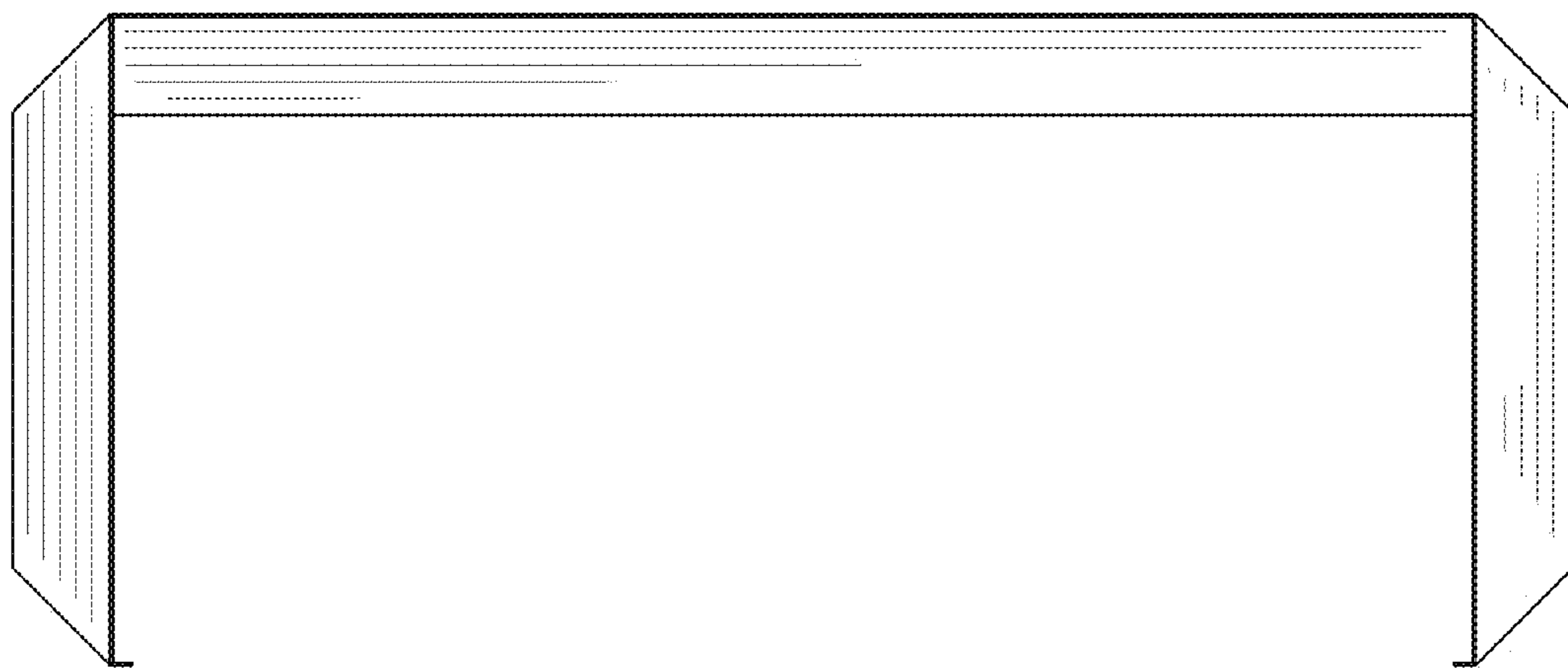


FIG. 2

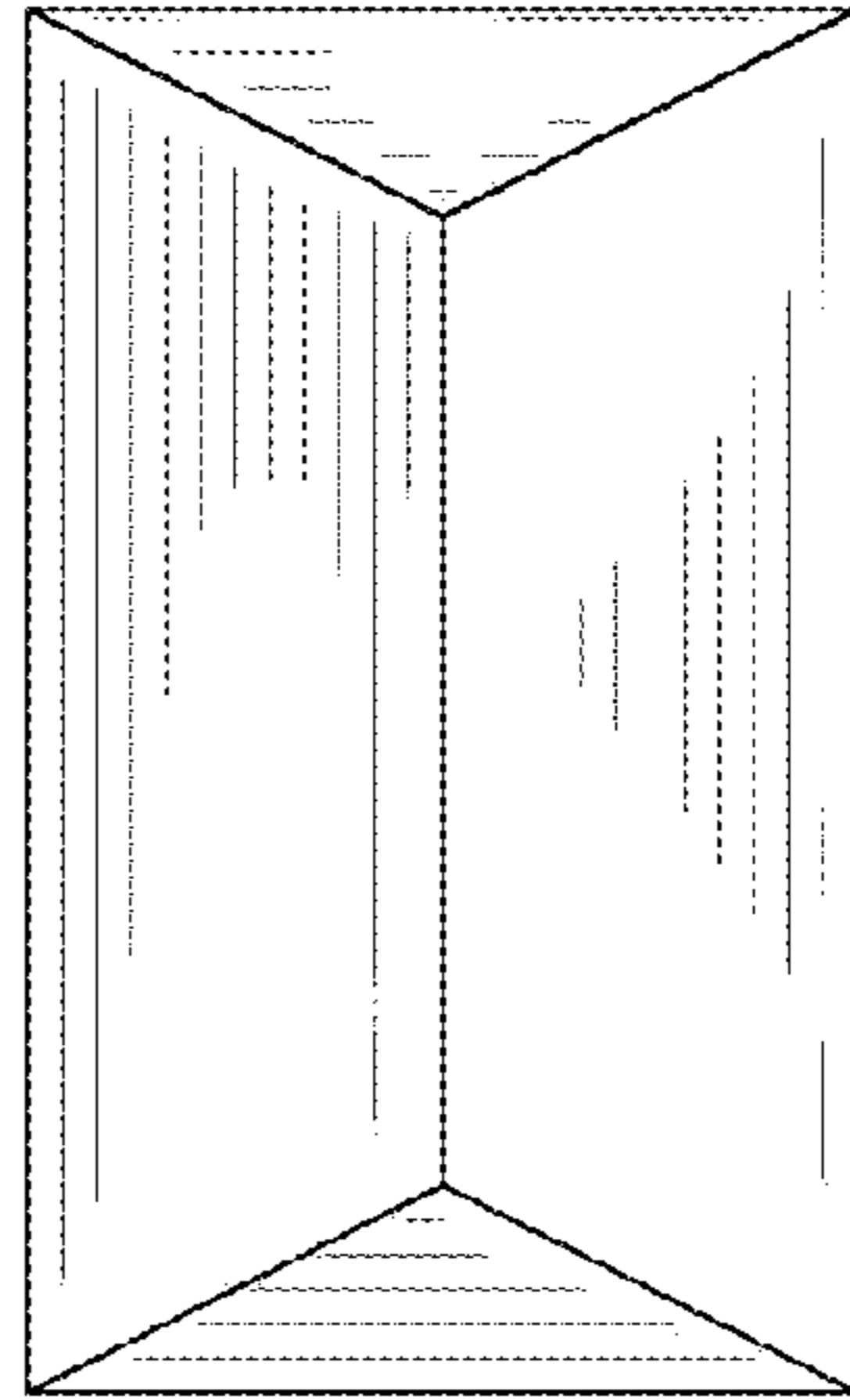


FIG. 3

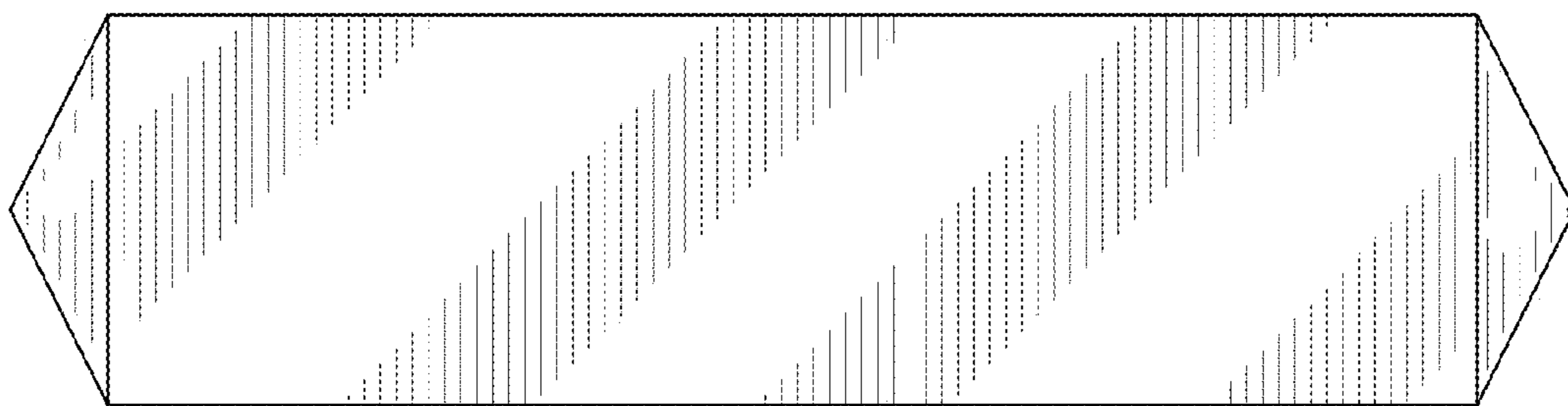


FIG. 4

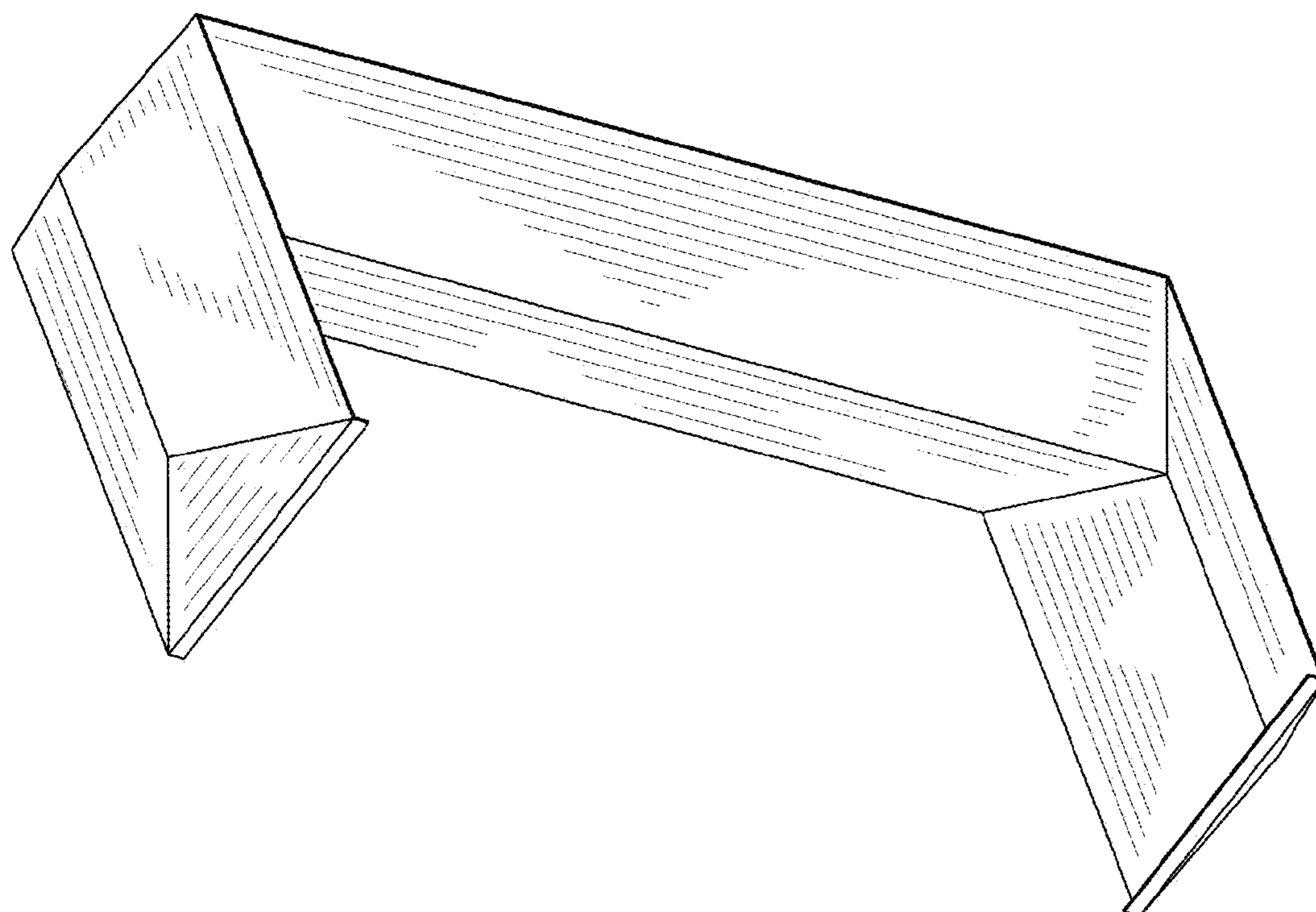


FIG. 5