

US00D737608S

(12) **United States Design Patent**
Everson et al.

(10) **Patent No.:** **US D737,608 S**
(45) **Date of Patent:** **** Sep. 1, 2015**

(54) **TABLE**

(71) Applicant: **Ashley Furniture Industries, Inc.**,
Arcadia, WI (US)

(72) Inventors: **Terry A. Everson**, Blair, WI (US);
Randy D. Domack, Holmen, WI (US);
Craig C. Bacon, Trempealeau, WI (US)

(73) Assignee: **Ashley Furniture Industries, Inc.**,
Arcadia, WI (US)

(**) Term: **14 Years**

(21) Appl. No.: **29/488,540**

(22) Filed: **Apr. 21, 2014**

(51) **LOC (10) Cl.** **06-03**

(52) **U.S. Cl.**
USPC **D6/691.1; D6/691.9**

(58) **Field of Classification Search**
USPC D6/691, 691.1, 691.3, 691.5, 691.8,
D6/691.9, 707.18, 349
CPC A47B 7/00; A47B 13/00; A47B 13/02;
A47B 13/04; A47B 13/06; A47B 2200/11;
A47B 91/00; A47B 91/005; A47B 13/08;
A47B 13/088; A47B 2200/001

See application file for complete search history.

(56) **References Cited**

U.S. PATENT DOCUMENTS

D465,111 S *	11/2002	McDaniel et al.	D6/691.1
D535,498 S *	1/2007	Domack et al.	D6/691.1
D552,891 S *	10/2007	Everson et al.	D6/691.1
D674,217 S *	1/2013	al-Rawi	D6/691
D686,855 S *	7/2013	James	D6/691.1

* cited by examiner

Primary Examiner — Janice Seeger

(74) *Attorney, Agent, or Firm* — McAndrews Held & Malloy, Ltd.

(57) **CLAIM**

The ornamental design for a table, as shown and described.

DESCRIPTION

FIG. 1 is a front perspective view of a table showing our new design;

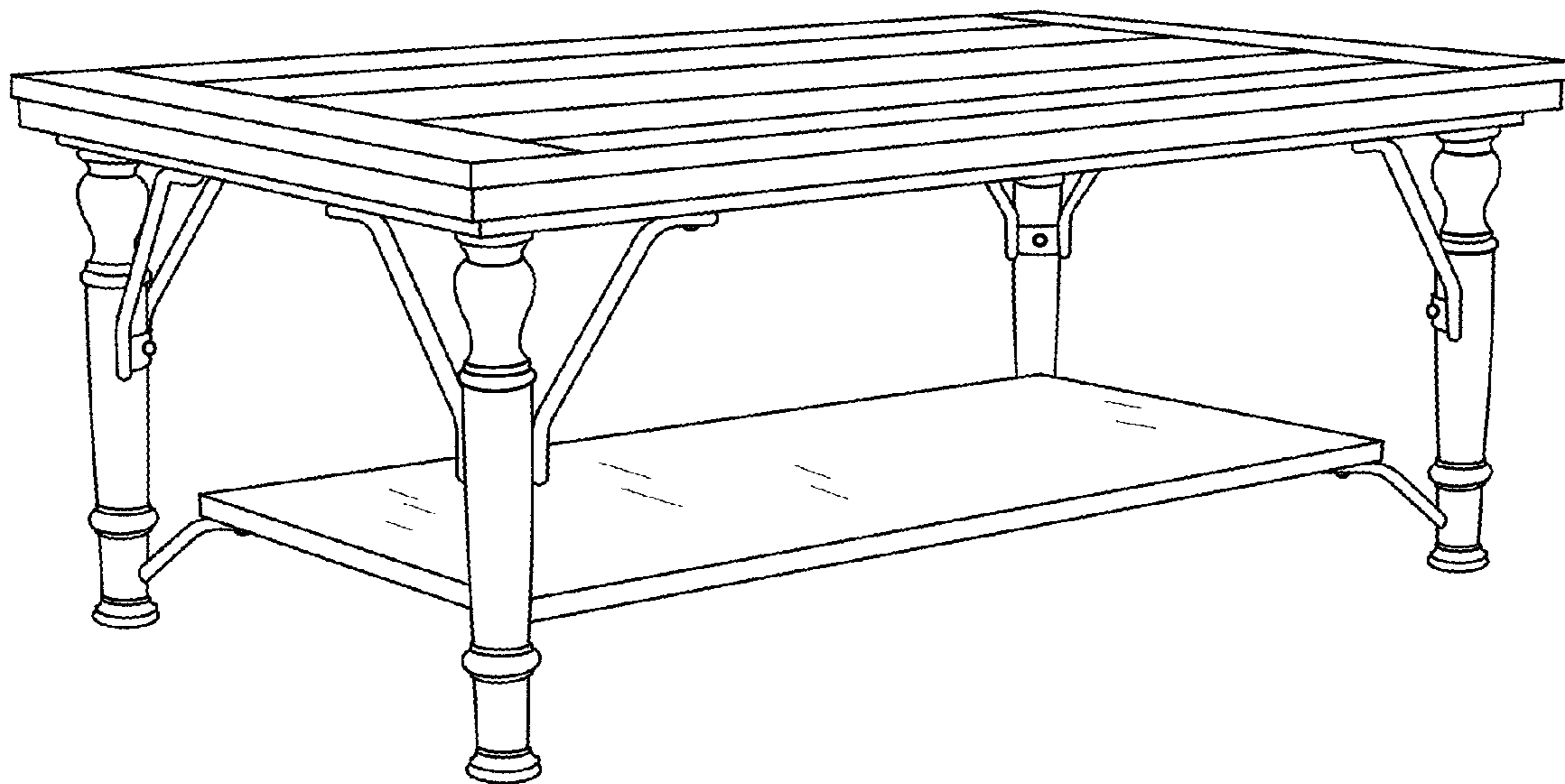
FIG. 2 is a front elevation view thereof; the rear elevation view being a mirror image thereof;

FIG. 3 is a left side elevation view thereof; the right side elevation view being a mirror image thereof; and,

FIG. 4 is a top plan view thereof.

Views of the table not shown in the figures form no part of the claimed design.

1 Claim, 2 Drawing Sheets



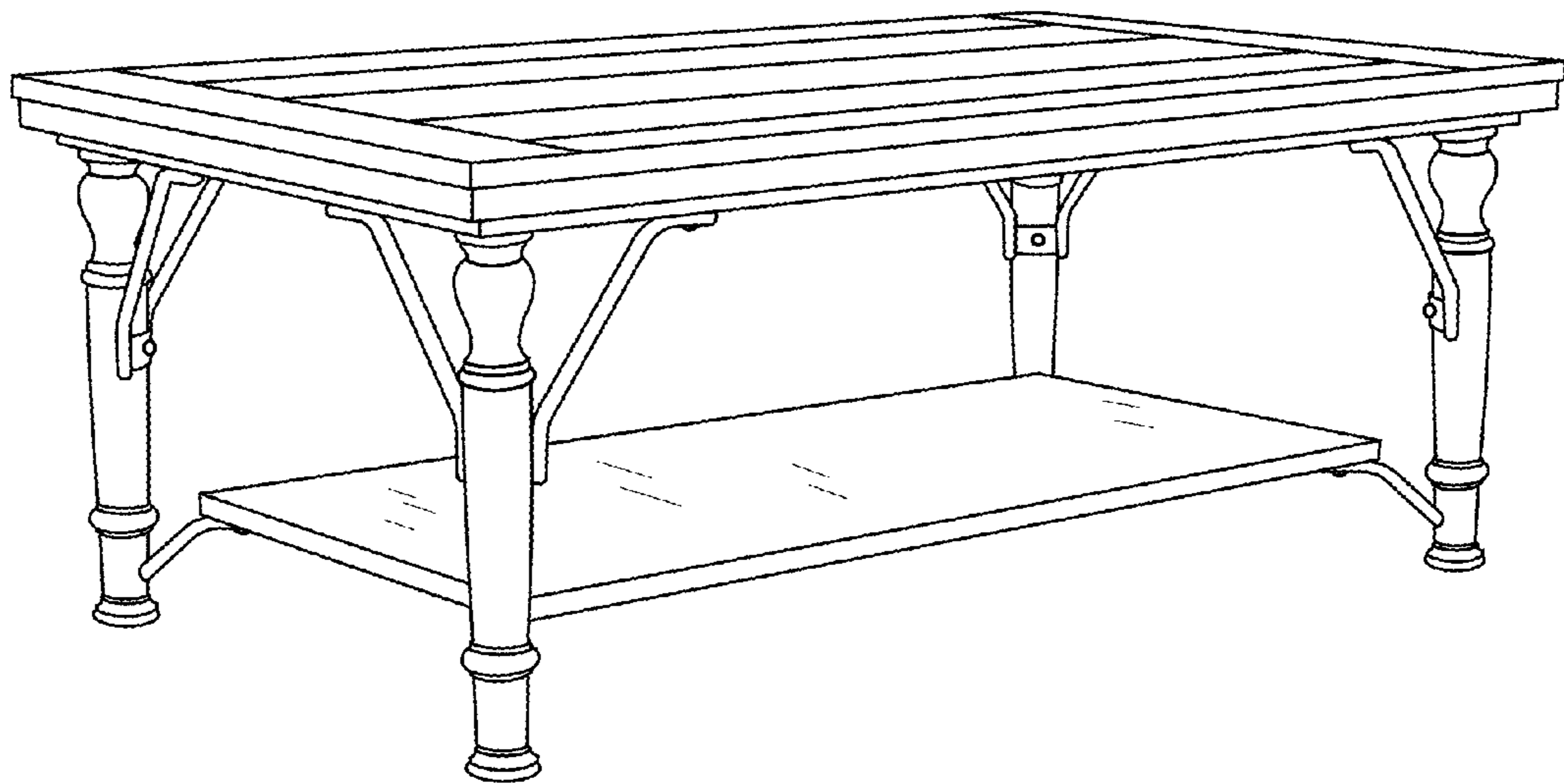


FIG. 1

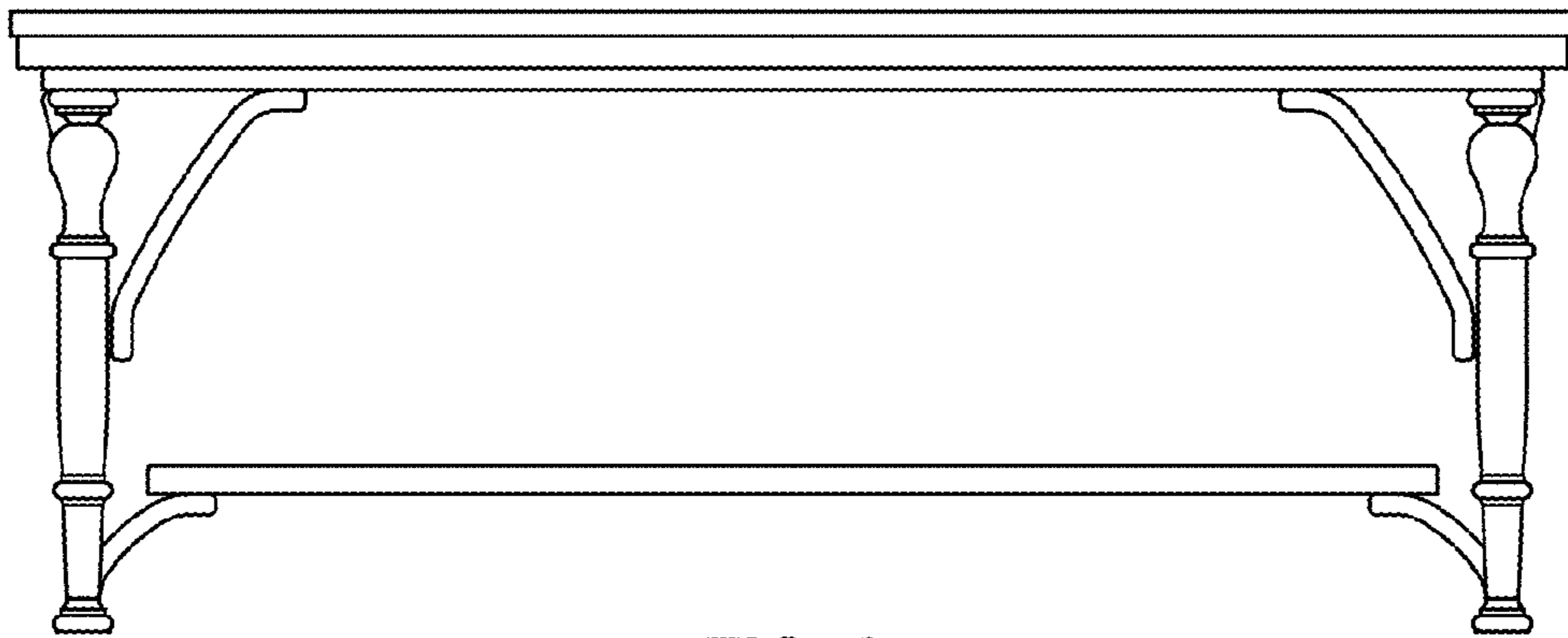


FIG. 2

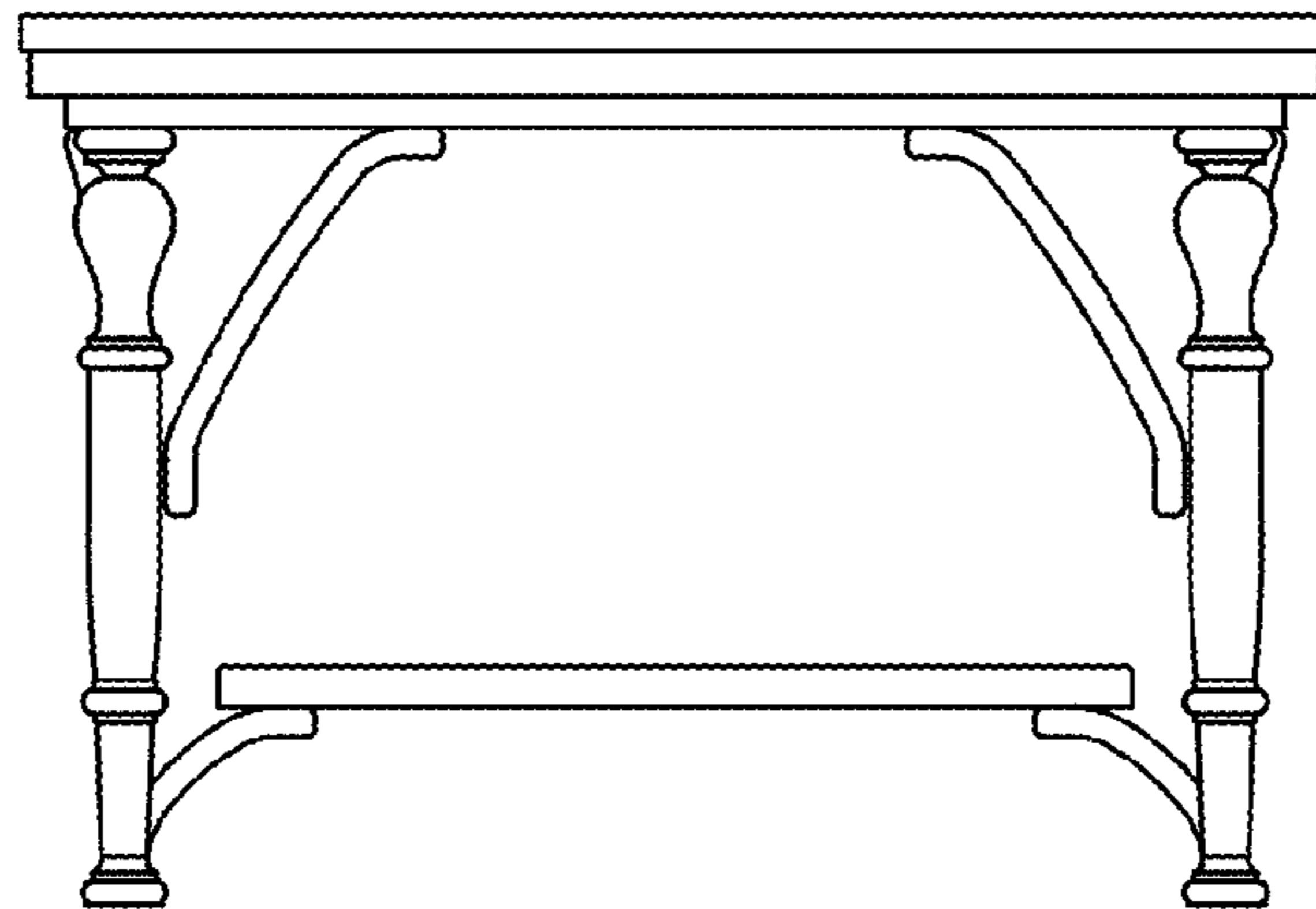


FIG. 3

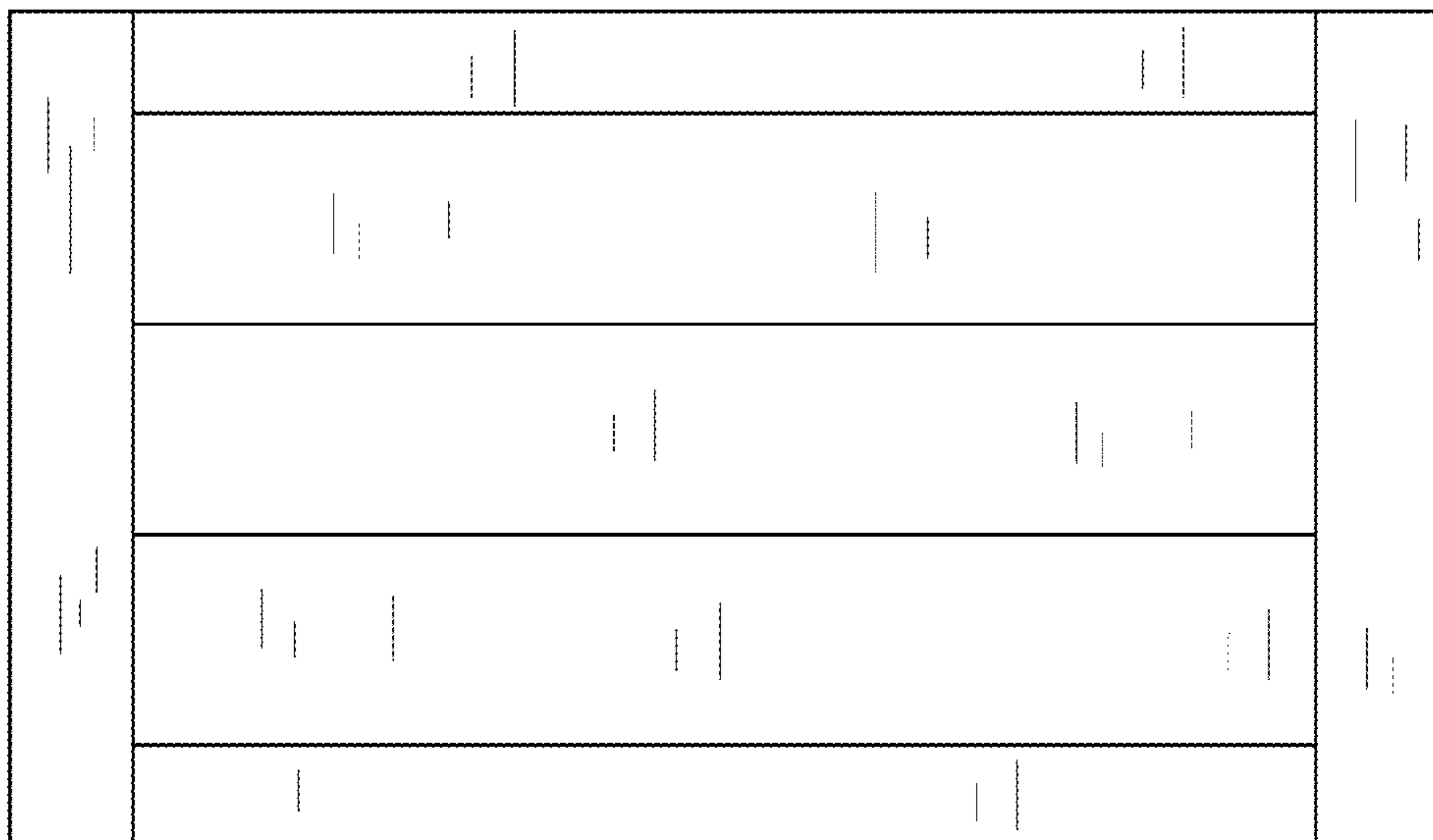


FIG. 4