



US00D737605S

(12) **United States Design Patent**
Hornsby

(10) **Patent No.:** **US D737,605 S**
(45) **Date of Patent:** **** Sep. 1, 2015**

(54) **GARMENT RAIL**

(71) Applicant: **THE GARMENT RAIL COMPANY LIMITED**, London (GB)

(72) Inventor: **Thomas Stephen Hornsby**, London (GB)

(73) Assignee: **THE GARMENT RAIL COMPANY LIMITED**, London (GB)

(**) Term: **14 Years**

(21) Appl. No.: **29/462,138**

(22) Filed: **Jul. 31, 2013**

(30) **Foreign Application Priority Data**

Feb. 1, 2013 (EP) 002177279-0001

(51) **LOC (10) Cl.** **06-08**

(52) **U.S. Cl.**
USPC **D6/681.1; D8/376**

(58) **Field of Classification Search**
USPC D3/10, 221; D6/681.1, 709.21; D8/382, D8/339; D21/679, 686; D22/147; D25/126; D11/181; 482/148; 211/105.5
CPC A47F 7/19; A47F 7/24; A47F 2007/195; A47G 25/00; A47G 25/06; A47G 25/64; A47G 29/02
See application file for complete search history.

(56) **References Cited**

U.S. PATENT DOCUMENTS

D303,742 S * 10/1989 Reid D6/709.21
D358,506 S * 5/1995 Lara D6/681.1
D471,650 S * 3/2003 Dani D25/126

D492,191 S * 6/2004 Kang D8/382
D504,301 S * 4/2005 Wood D8/339
D504,933 S * 5/2005 Hopwood D22/147
D561,274 S * 2/2008 Turner D21/679
D583,425 S * 12/2008 Kushner D21/686
D604,946 S * 12/2009 Drake D3/221
D655,356 S * 3/2012 Sandman D21/679
D685,568 S * 7/2013 You D3/10
8,479,932 B2 * 7/2013 Carney 211/105.5
2004/0220031 A1 * 11/2004 Blacker 482/148

* cited by examiner

Primary Examiner — Thomas Johannes

Assistant Examiner — Catherine Posthauer

(74) *Attorney, Agent, or Firm* — Nixon & Vanderhye P.C.

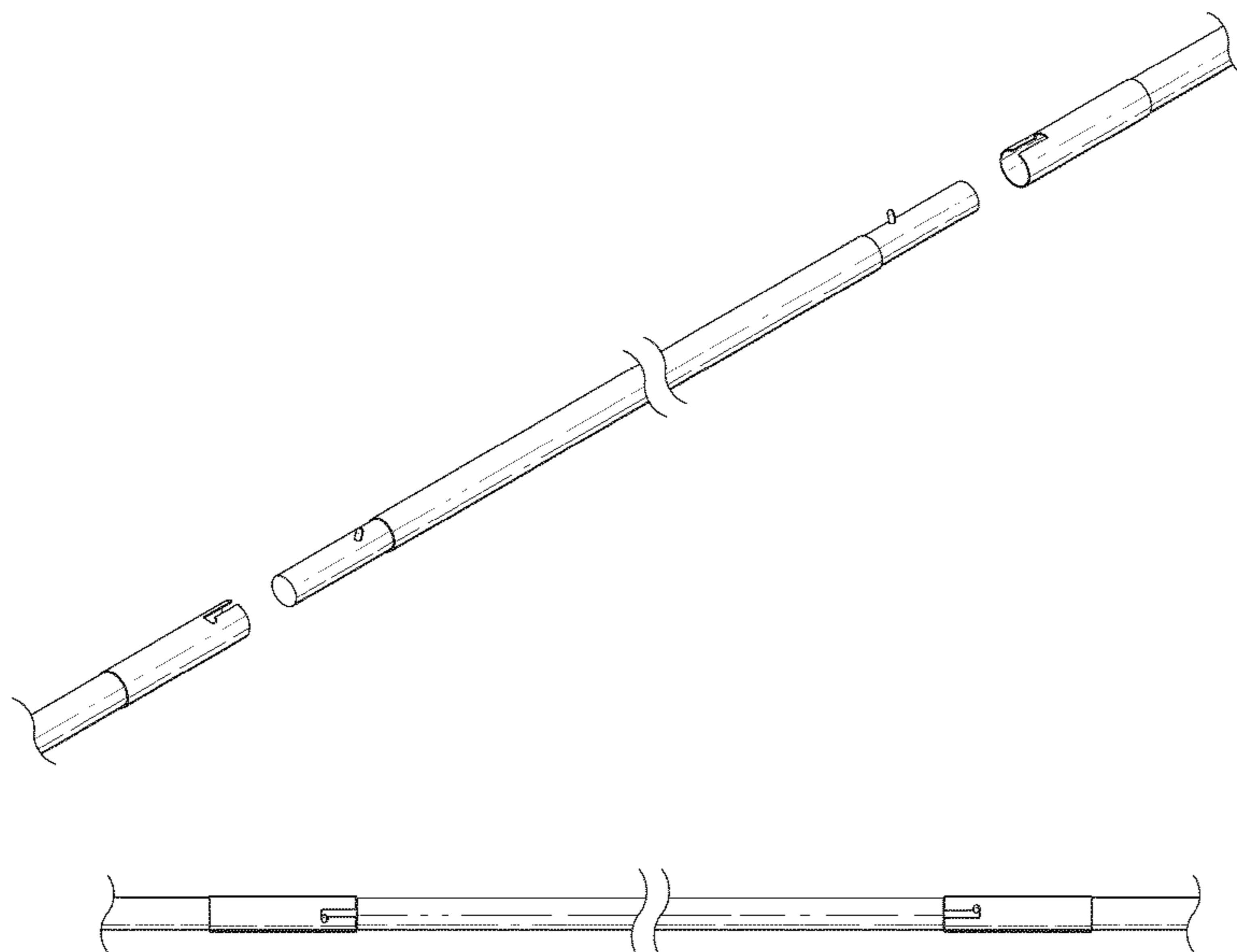
(57) **CLAIM**

The ornamental design for a garment rail, as shown and described.

DESCRIPTION

FIG. 1 is an exploded perspective view of a garment rail according to my new ornamental design;
FIG. 2 is a front view thereof, with the rear view being a mirror image thereof;
FIG. 3 is a top view thereof;
FIG. 4 is a perspective view of the garment rail shown in FIG. 1, but in an assembled condition;
FIG. 5 is a view of the garment rail shown in FIG. 2, but in an assembled condition;
FIG. 6 is a view of the garment rail shown in FIG. 3, but in an assembled condition;
FIG. 7 is a bottom view thereof, in an assembled position; and,
FIG. 8 is a side/end view thereof.
The portions of the article shown in wavy lines in FIGS. 1-7 indicate that any portion of the article beyond what is shown forms no part of the claimed design.

1 Claim, 5 Drawing Sheets



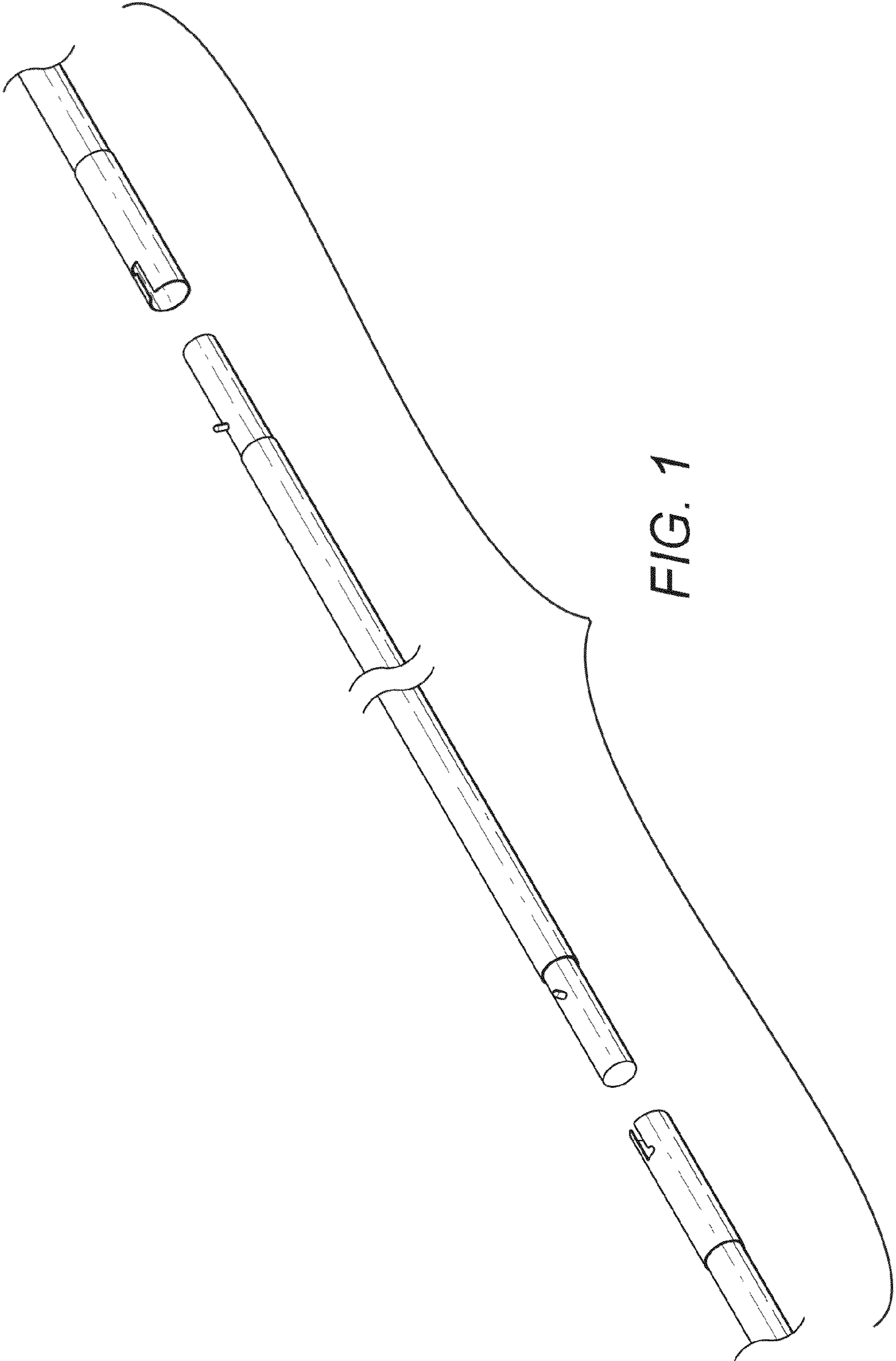


FIG. 1

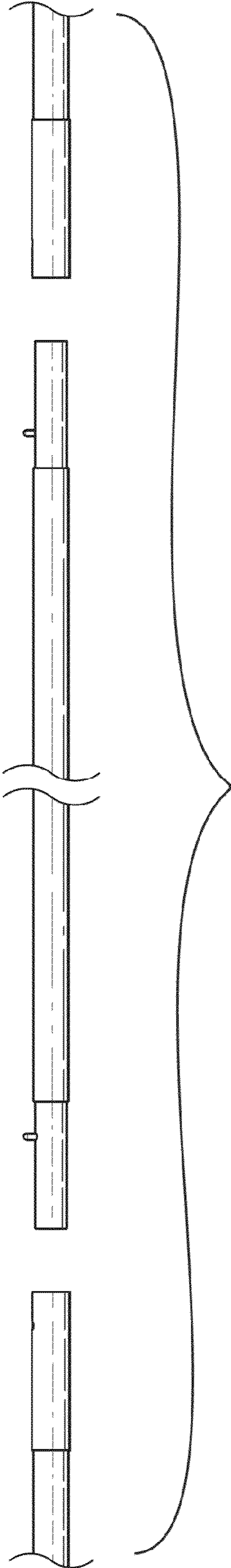


FIG. 2

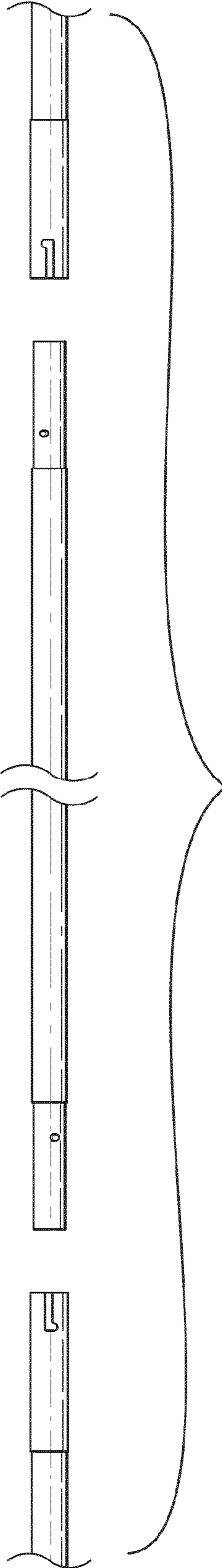


FIG. 3

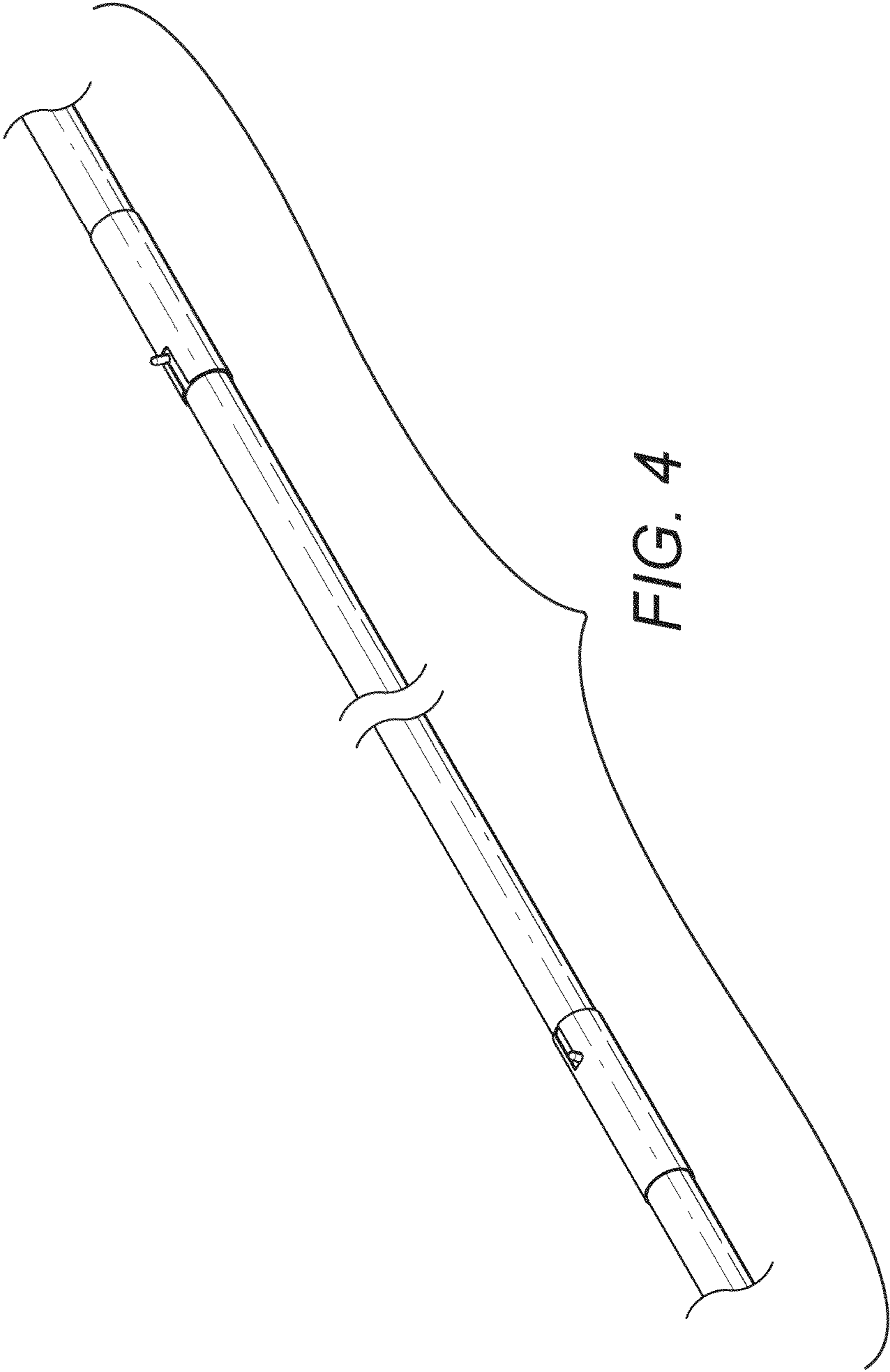


FIG. 4

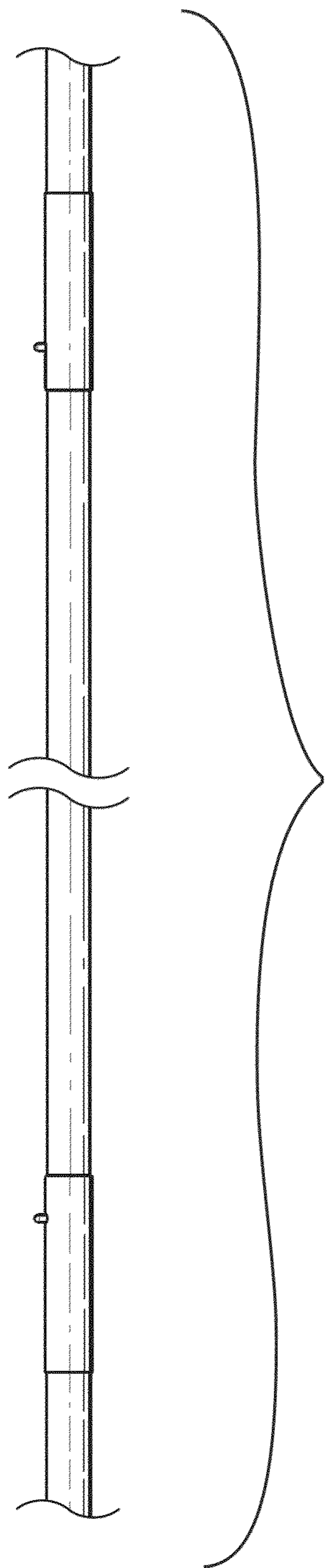


FIG. 5

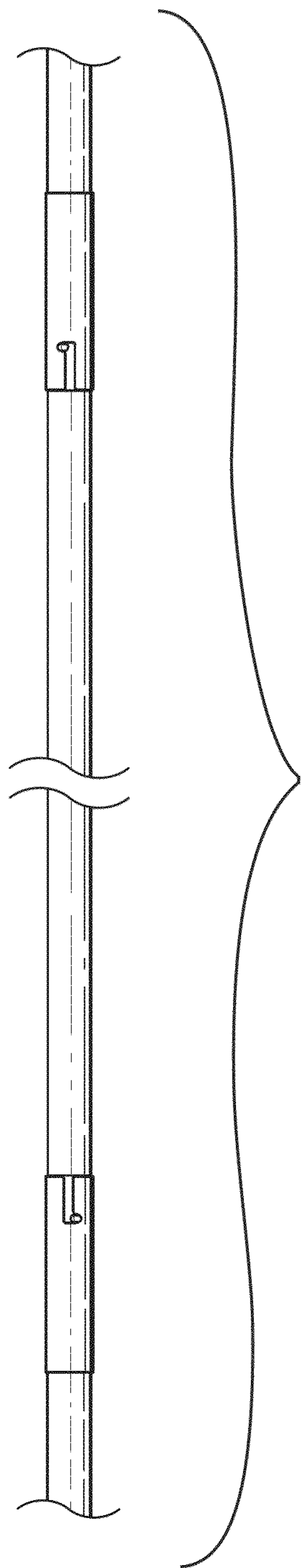


FIG. 6

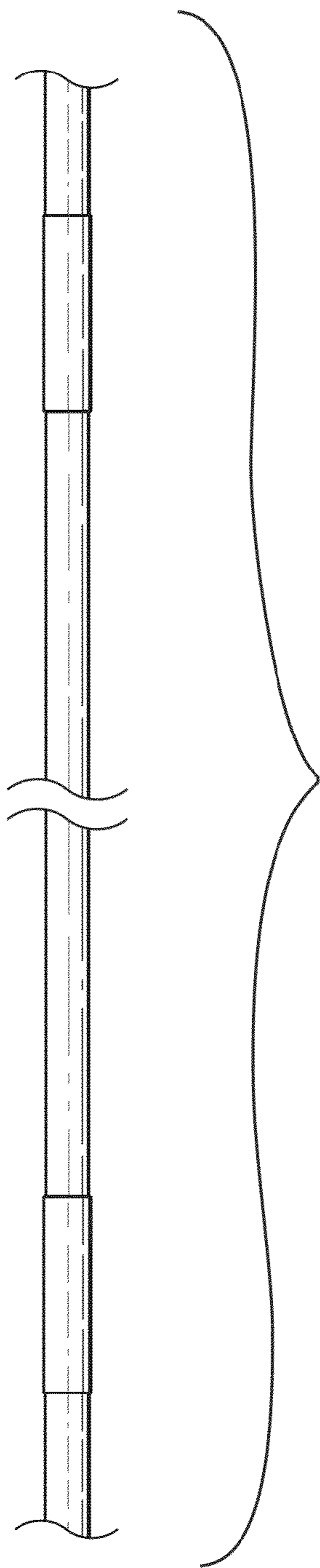


FIG. 7



FIG. 8