



US00D737604S

(12) **United States Design Patent**  
**Bridger et al.**

(10) **Patent No.:** **US D737,604 S**  
(45) **Date of Patent:** **\*\* Sep. 1, 2015**

- (54) **DISPLAY STRUCTURE**
- (71) Applicant: **Apple Inc.**, Cupertino, CA (US)
- (72) Inventors: **Robert Bridger**, Woodside, CA (US);  
**Benjamin L. Fay**, Palo Alto, CA (US);  
**Ronald Bruce Johnson**, Atherton, CA (US);  
**Kully Kraig Mandon**, San Francisco, CA (US)
- (73) Assignee: **Apple Inc.**, Cupertino, CA (US)
- (\*\*) Term: **14 Years**
- (21) Appl. No.: **29/434,595**
- (22) Filed: **Oct. 15, 2012**
- (51) **LOC (10) Cl.** ..... **06-06**
- (52) **U.S. Cl.**  
USPC ..... **D6/675**
- (58) **Field of Classification Search**  
USPC ..... D6/332, 449, 466-468, 675, 682;  
D20/10, 19, 43; D25/58; 211/86-90,  
211/162, 187, 189, 194, 94, 94.5, 41.15,  
211/169; 248/346.3, 346.03, 346.4, 346.5;  
52/36.1, 239; 160/135, 351, 352  
CPC ..... A47B 57/58; A47B 5/08; A47B 5/0807  
See application file for complete search history.

(56) **References Cited**

**U.S. PATENT DOCUMENTS**

2,364,870	A	12/1944	Otto	
3,646,696	A *	3/1972	Sarkisian	40/602
3,662,482	A *	5/1972	Sarkisian	40/602
D296,619	S *	7/1988	Charman	D6/332
4,784,205	A *	11/1988	Johnson et al.	160/351
D303,458	S *	9/1989	Zapf	D6/332
D305,582	S *	1/1990	Zapf	D6/332
5,018,291	A	5/1991	Pasquale et al.	
D318,383	S *	7/1991	Terrell et al.	D6/672
D322,187	S *	12/1991	Leis et al.	D6/681.1
D331,917	S *	12/1992	DuBrucq	D13/155

D332,018	S *	12/1992	De Pas et al.	D6/682.6
D346,829	S	5/1994	Keefe	
5,618,141	A	4/1997	Field	
D392,474	S	3/1998	Frasketi	
D397,562	S *	9/1998	DePottay et al.	D6/675
D420,223	S *	2/2000	Chipman et al.	D6/332
D420,519	S *	2/2000	Chen	D6/332
D421,249	S *	2/2000	Rooyakkers et al.	D13/184
D422,796	S *	4/2000	Milligan et al.	D6/332
D450,465	S *	11/2001	Overthun et al.	D6/332
D458,773	S *	6/2002	Battaglia et al.	D6/678.4
D466,331	S *	12/2002	Chang	D6/681.1
D476,818	S	7/2003	Stravitz	
D506,331	S *	6/2005	Quintal	D6/708

(Continued)

*Primary Examiner* — Kelley Donnelly

(74) *Attorney, Agent, or Firm* — Sterne, Kessler, Goldstein & Fox P.L.L.C.

(57) **CLAIM**

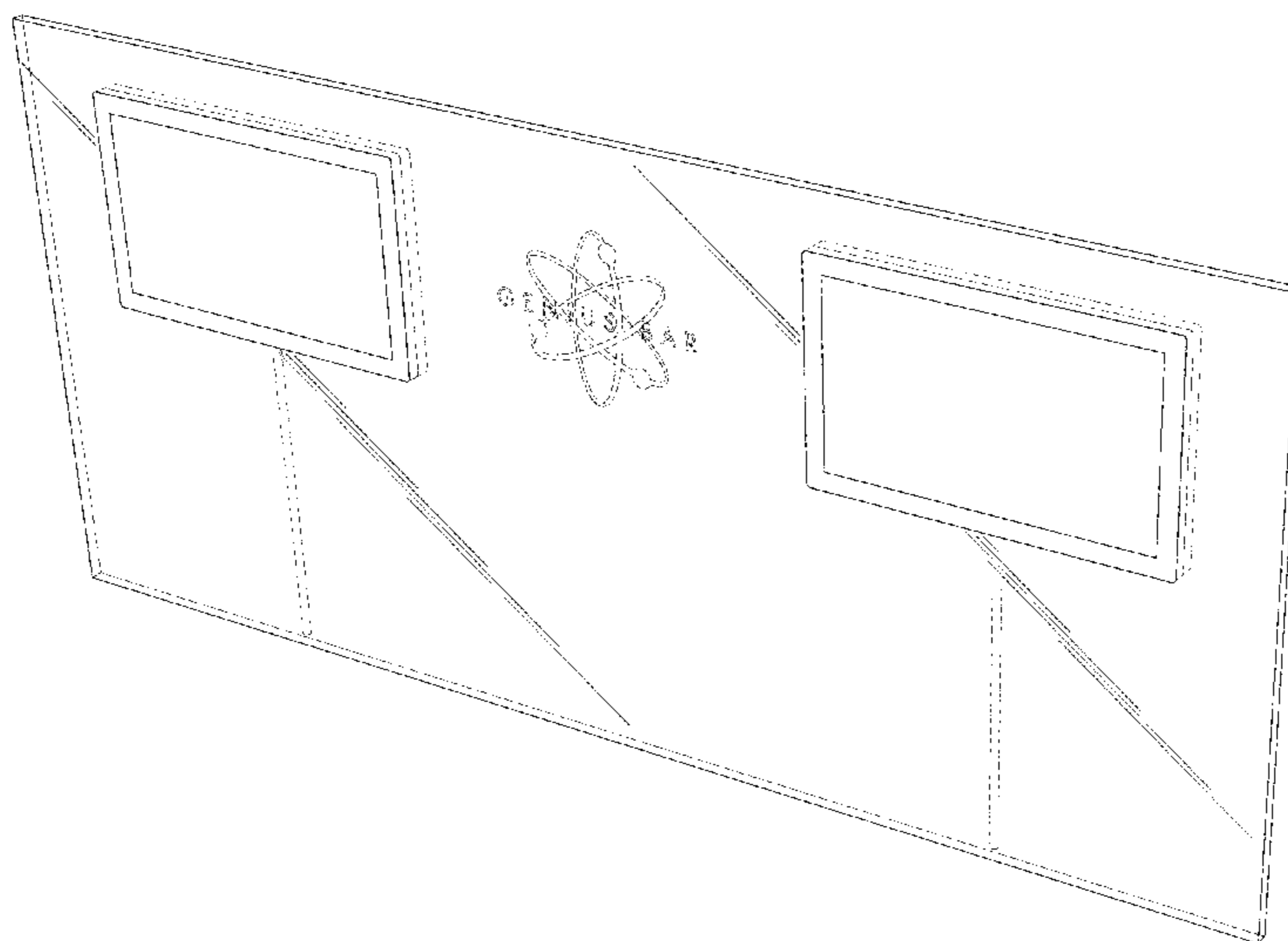
The ornamental design for a display structure, as shown and described.

**DESCRIPTION**

FIG. 1 is a top front perspective view of an embodiment of a display structure showing our new design;  
 FIG. 2 is a front view thereof;  
 FIG. 3 is a rear view thereof;  
 FIG. 4 is a right side view thereof;  
 FIG. 5 is a left side view thereof;  
 FIG. 6 is a top view thereof;  
 FIG. 7 is a bottom view thereof;  
 FIG. 8 is a front perspective view thereof showing a broken-line environmental table in use with the display structure; and,  
 FIG. 9 is a side view of the broken-line environmental table and display structure of FIG. 8.

The broken lines in the Figures show portions of the display structure and environment which form no part of the claimed design. The oblique lines in the Figures show transparency and not surface ornamentation.

**1 Claim, 7 Drawing Sheets**



(56)

**References Cited**

U.S. PATENT DOCUMENTS

D537,654 S *	3/2007	Chang	.....	D6/682.4	D667,904 S *	9/2012	DeFrancisci	.....	D21/691
7,228,654 B2	6/2007	Stravitz			D669,693 S *	10/2012	Goranson et al.	.....	D6/332
D559,566 S *	1/2008	Amezola Portuondo	.....	D6/332	D669,694 S *	10/2012	Yoo et al.	.....	D6/332
D590,607 S *	4/2009	Beno et al.	.....	D6/332	D685,433 S	7/2013	De Iuliis et al.		
D599,122 S *	9/2009	Feldpausch et al.	.....	D6/332	D691,208 S	10/2013	Gorelick		
D608,830 S *	1/2010	Taylor et al.	.....	D20/10	D692,707 S *	11/2013	Yoo et al.	.....	D6/708
D620,457 S *	7/2010	Maurer et al.	.....	D13/177	D693,478 S *	11/2013	Irick et al.	.....	D24/231
D622,673 S *	8/2010	Maurer et al.	.....	D13/162	D700,901 S *	3/2014	Giglio et al.	.....	D14/129
D642,390 S *	8/2011	West	.....	D6/332	D708,270 S	7/2014	Heirakuji et al.		
D645,090 S *	9/2011	Gimpel et al.	.....	D20/10	D708,459 S *	7/2014	Heirakuji et al.	.....	D6/675
D646,269 S *	10/2011	Crick et al.	.....	D14/307	D713,659 S *	9/2014	Stafford et al.	.....	D6/675
D652,152 S *	1/2012	Martin et al.	.....	D25/103	D721,695 S *	1/2015	Birgeoglu	.....	D14/307
D662,329 S *	6/2012	Arko et al.	.....	D6/332	D721,696 S *	1/2015	Birgeoglu	.....	D14/307
					2012/0304513 A1	12/2012	Gorelick		
					2013/0326922 A1	12/2013	Lyons et al.		

\* cited by examiner

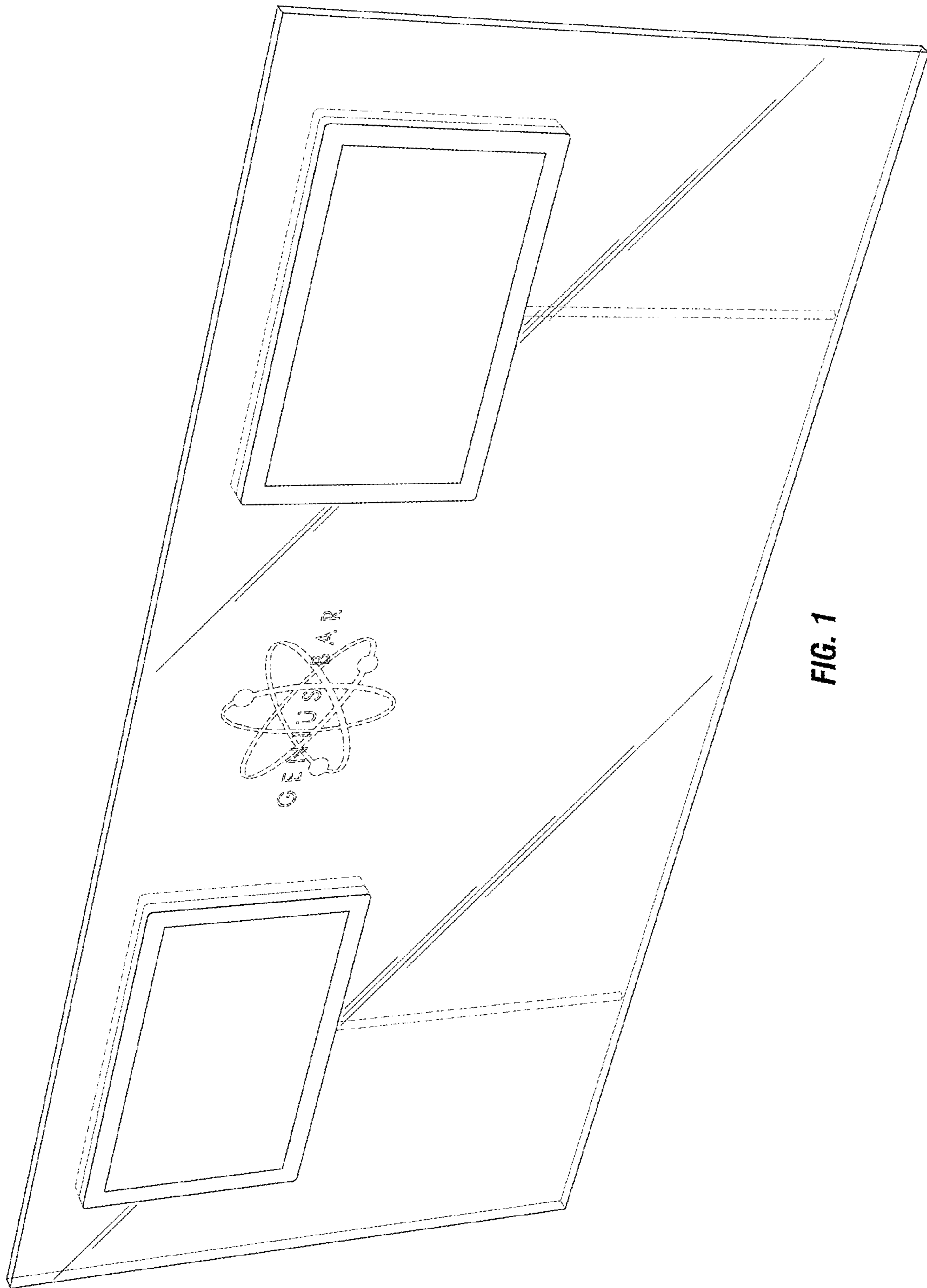


FIG. 1

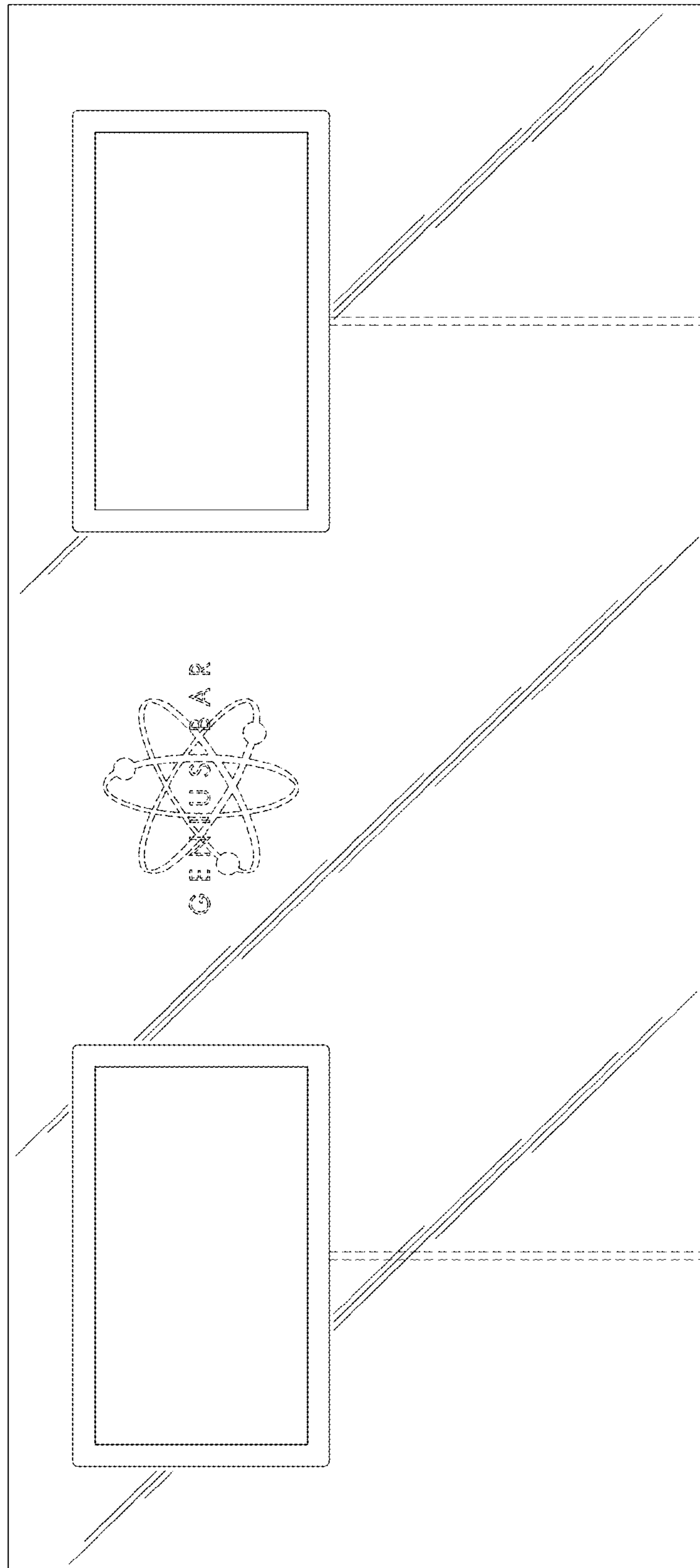


FIG. 2

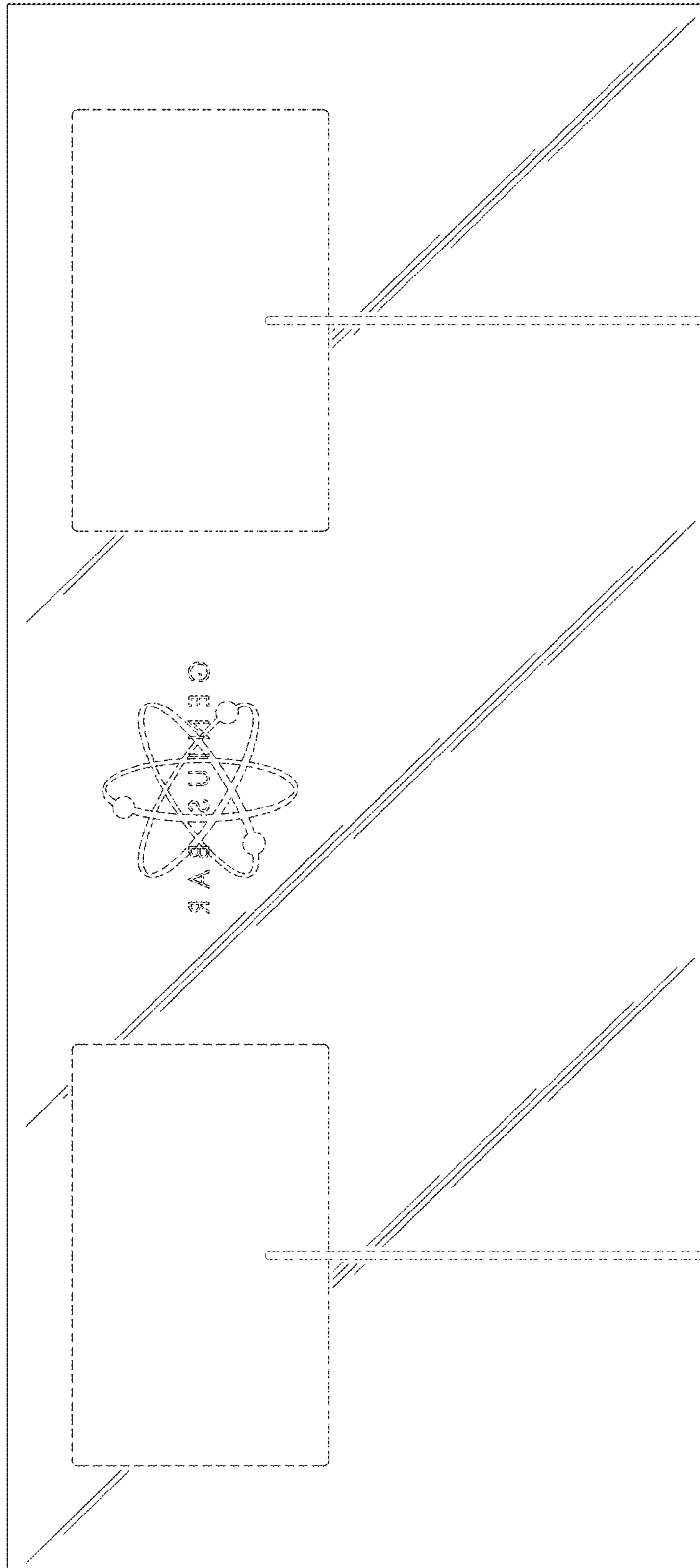
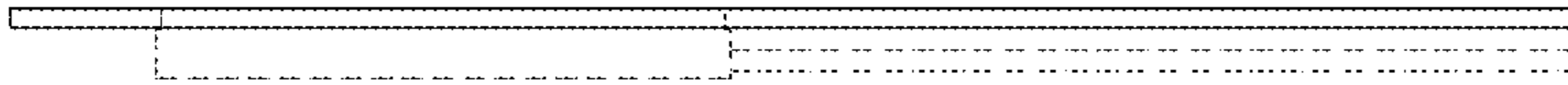
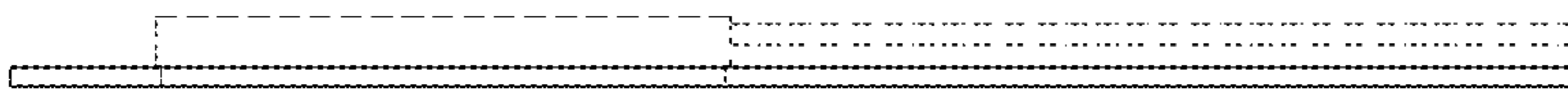


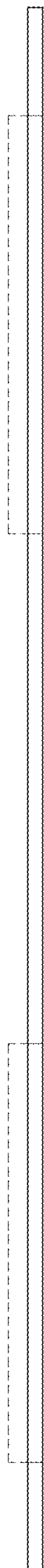
FIG. 3



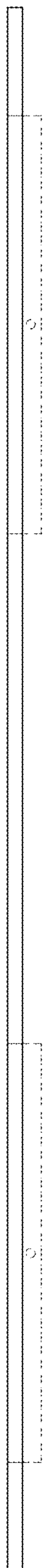
**FIG. 5**



**FIG. 4**



**FIG. 6**



**FIG. 7**

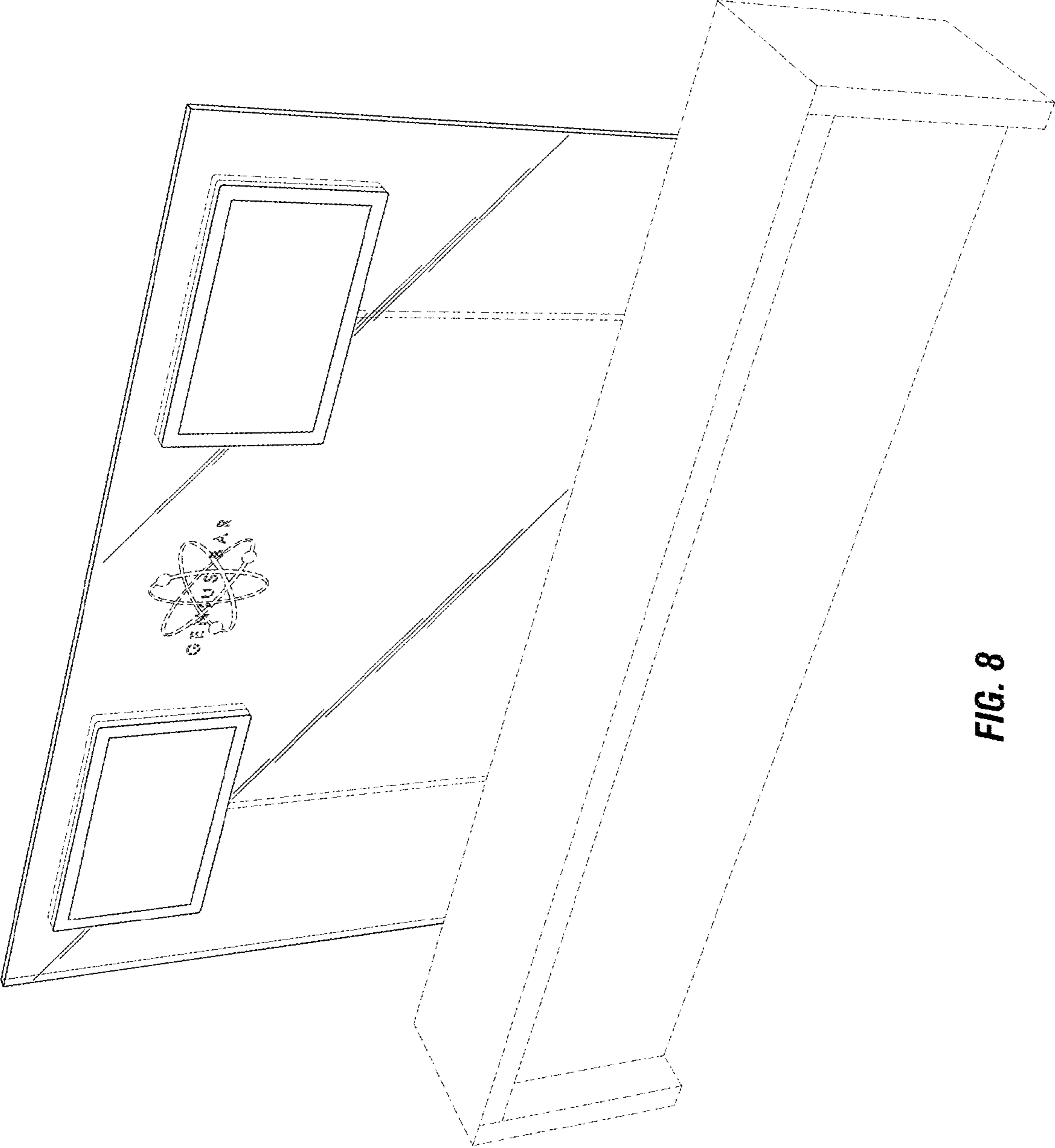
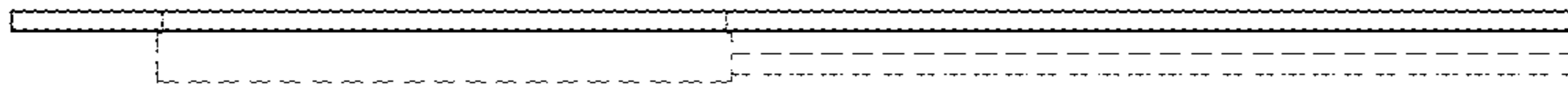


FIG. 8





**FIG. 9**

UNITED STATES PATENT AND TRADEMARK OFFICE  
**CERTIFICATE OF CORRECTION**

PATENT NO. : D737,604 S  
APPLICATION NO. : 29/434595  
DATED : September 1, 2015  
INVENTOR(S) : Bridger et al.

Page 1 of 1

It is certified that error appears in the above-identified patent and that said Letters Patent is hereby corrected as shown below:

Title Page, item (57) in the "DESCRIPTION" section of the issued patent, replace "FIG. 1 is a op front perspective view of an embodiment of a display structure showing our new design;" with --FIG. 1 is a top front perspective view of an embodiment of a display structure showing our new design;--.

Signed and Sealed this  
Twelfth Day of January, 2016



Michelle K. Lee  
*Director of the United States Patent and Trademark Office*