



US00D737603S

(12) **United States Design Patent**
Shah et al.

(10) **Patent No.:** **US D737,603 S**
(45) **Date of Patent:** **** Sep. 1, 2015**

- (54) **CABINET**
- (71) Applicant: **NewAge Products, Inc.**, Vaughan (CA)
- (72) Inventors: **Parag Shah**, Toronto (CA); **Frank Spano**, Toronto (CA)
- (73) Assignee: **NEWAGE PRODUCTS, INC.**, Vaughan, Ontario (CA)
- (**) Term: **14 Years**
- (21) Appl. No.: **29/459,410**
- (22) Filed: **Jun. 28, 2013**
- (51) **LOC (10) Cl.** **06-04**
- (52) **U.S. Cl.**
USPC **D6/671.1**
- (58) **Field of Classification Search**
USPC D3/241, 247, 279, 283–284, 286, 297, D3/318–319, 905; D4/199; D6/561, 582, D6/662, 663, 664.1, 668, 668.1, 668.2, D6/669, 671, 671.1, 671.2, 671.3, 671.4, D6/703, 703.3, 705.5, 705; D8/351; D12/101; D15/91; D21/686; D25/109, D25/138, 163; D34/19, 20, 21
CPC A47B 49/00; A47B 49/002; A47B 67/00; A47B 67/04; A47B 87/02; A47B 88/04; A47B 88/0411; A47B 88/20; A47B 2210/00; A47B 2210/004; A47B 2210/0078; A47B 2210/0008; A47F 3/00; A63C 5/06; B60C 27/00; B62B 3/00; B25H 3/00; B25H 3/003; B25H 3/006; B25H 3/02; B25H 3/021
See application file for complete search history.

(56) **References Cited**

U.S. PATENT DOCUMENTS

- D474,563 S * 5/2003 Bresciani D25/109
- D508,504 S * 8/2005 Schmidt et al. D15/91
- D510,831 S * 10/2005 Schmidt et al. D6/703.3

- D510,832 S * 10/2005 Schmidt et al. D6/561
- D513,809 S * 1/2006 Zimmerle et al. D25/138
- D514,854 S * 2/2006 Schmidt et al. D6/705.5
- D515,342 S * 2/2006 Schmidt et al. D6/703
- D518,984 S * 4/2006 Schmidt et al. D6/703
- D547,636 S * 7/2007 Bartrom D8/351
- D550,012 S * 9/2007 Schmidt et al. D6/561
- D593,321 S * 6/2009 Wente D3/247
- D595,870 S * 7/2009 Moller et al. D25/163
- D599,419 S * 9/2009 Chiuchiarelli D21/686
- D603,161 S * 11/2009 Harris D3/241
- D614,898 S * 5/2010 Schmidt et al. D6/561
- D618,020 S * 6/2010 Gaska et al. D6/703.3
- D635,378 S * 4/2011 Schmidt et al. D6/703.3
- D637,849 S * 5/2011 Schmidt et al. D6/561
- D654,736 S * 2/2012 Gaska et al. D6/703.3
- D668,078 S * 10/2012 Daino et al. D6/668.2
- D670,510 S * 11/2012 Daino et al. D6/668.2

(Continued)

Primary Examiner — Ricky Pham

(74) *Attorney, Agent, or Firm* — Howard & Howard Attorneys PLLC

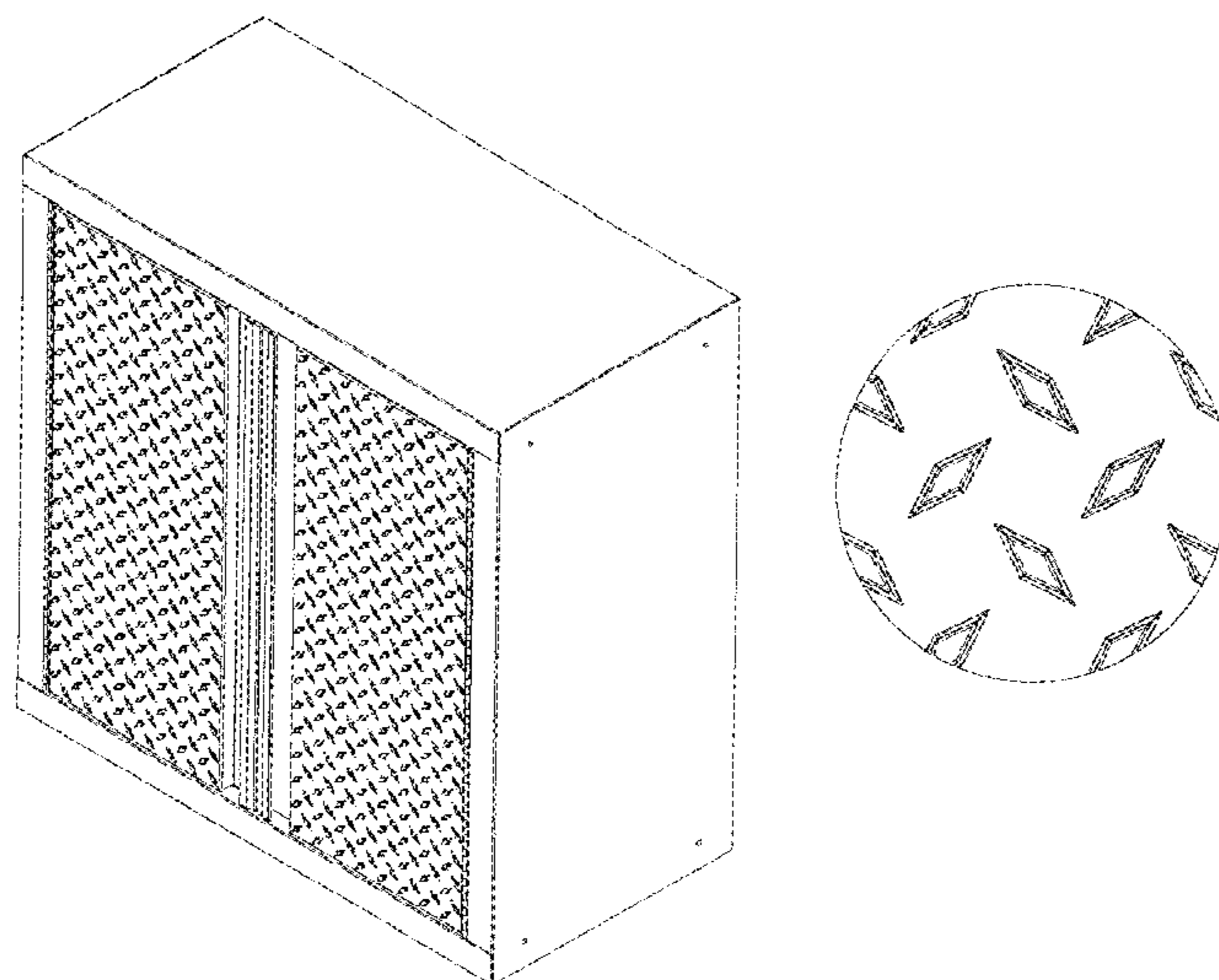
(57) **CLAIM**

An ornamental design for a cabinet, as shown and described.

DESCRIPTION

FIG. 1 is a perspective view of a cabinet in accordance with the present invention;
 FIG. 2 is a top plan view of the cabinet;
 FIG. 3 is a front elevational view of the cabinet;
 FIG. 4 is a bottom plan view of the cabinet;
 FIG. 5 is a left side elevational view of the cabinet;
 FIG. 6 is a right side elevational view of the cabinet;
 FIG. 7 is a rear elevational view of the cabinet;
 FIG. 8 is an enlarged front elevational view, identical to FIG. 2, of the cabinet where a front design pattern is more clearly visible; and,
 FIG. 9 is an enlarged portion of the front design pattern of the cabinet.

1 Claim, 3 Drawing Sheets



US D737,603 S

Page 2

(56)

References Cited

U.S. PATENT DOCUMENTS

| | | | | | | |
|-----------------|---|---------|----------------|-------|----------|---------------------|
| D692,243 S | * | 10/2013 | Weaver et al. | | D4/199 | |
| D696,160 S | * | 12/2013 | Kittoe | | D12/101 | * cited by examiner |
| D715,578 S | * | 10/2014 | Swandal et al. | | D6/582 | |
| 2004/0074856 A1 | * | 4/2004 | Gros | | 211/59.1 | |
| 2005/0145707 A1 | * | 7/2005 | Leni | | 238/14 | |

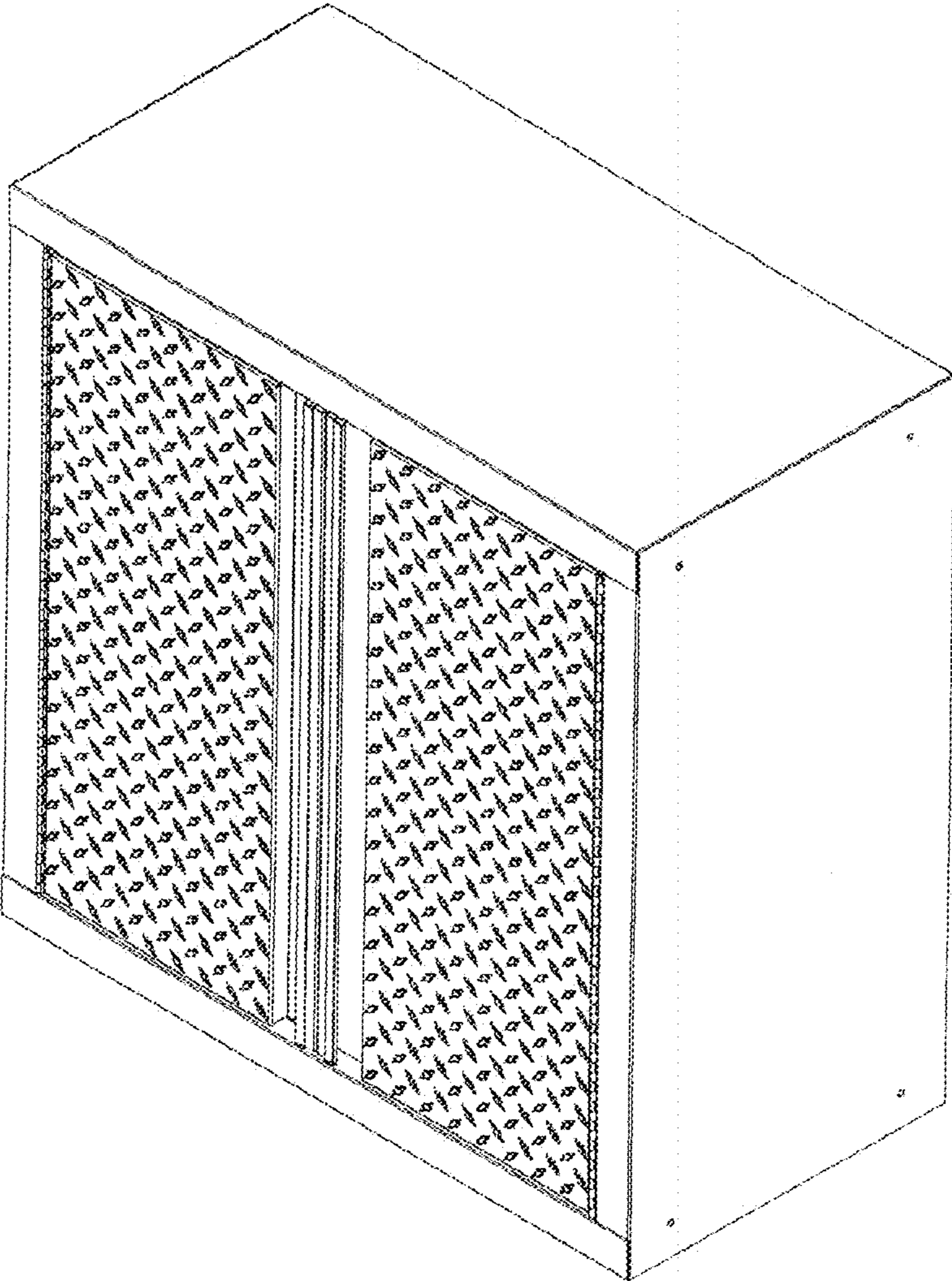


Figure 1

Figure 2

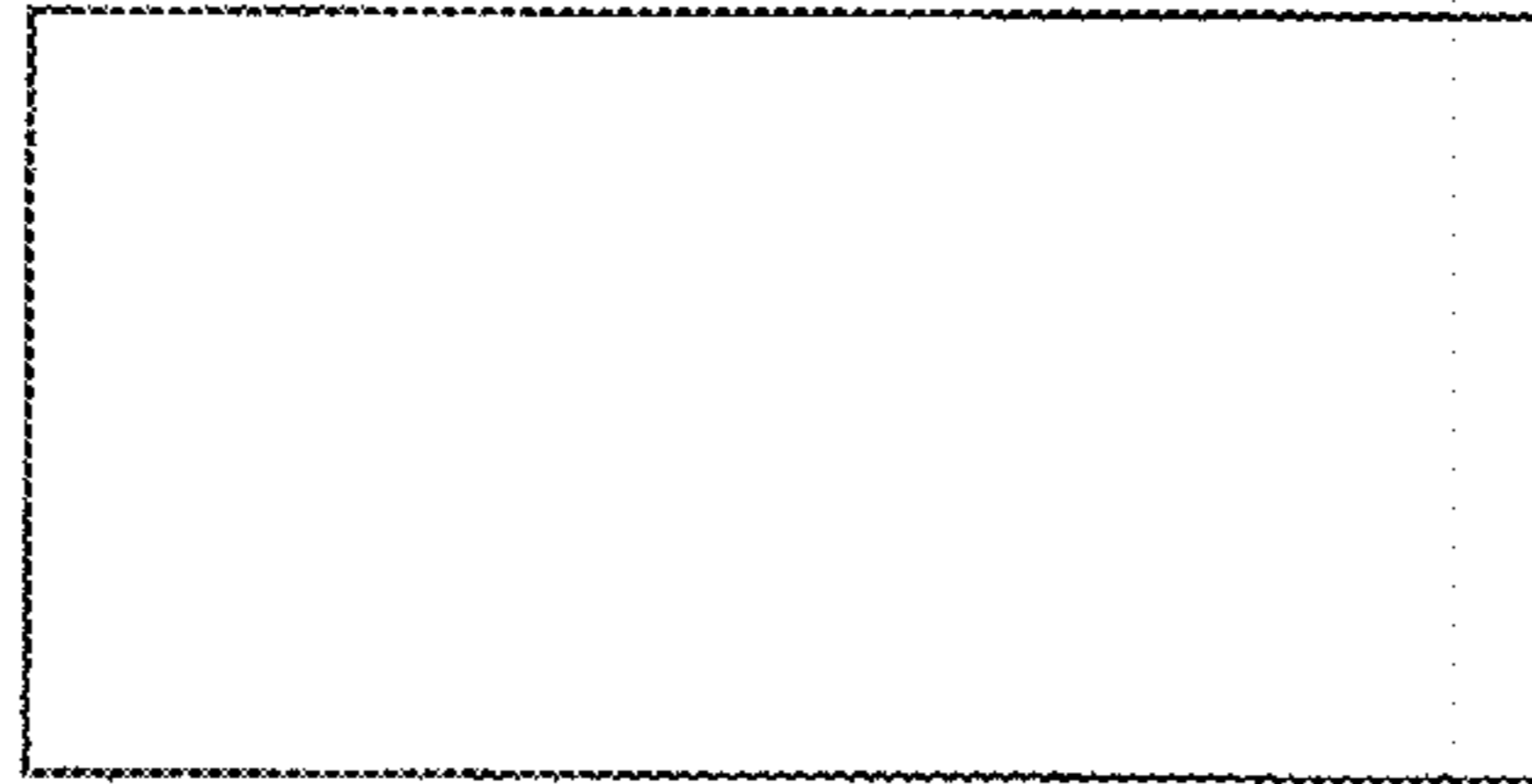


Figure 3

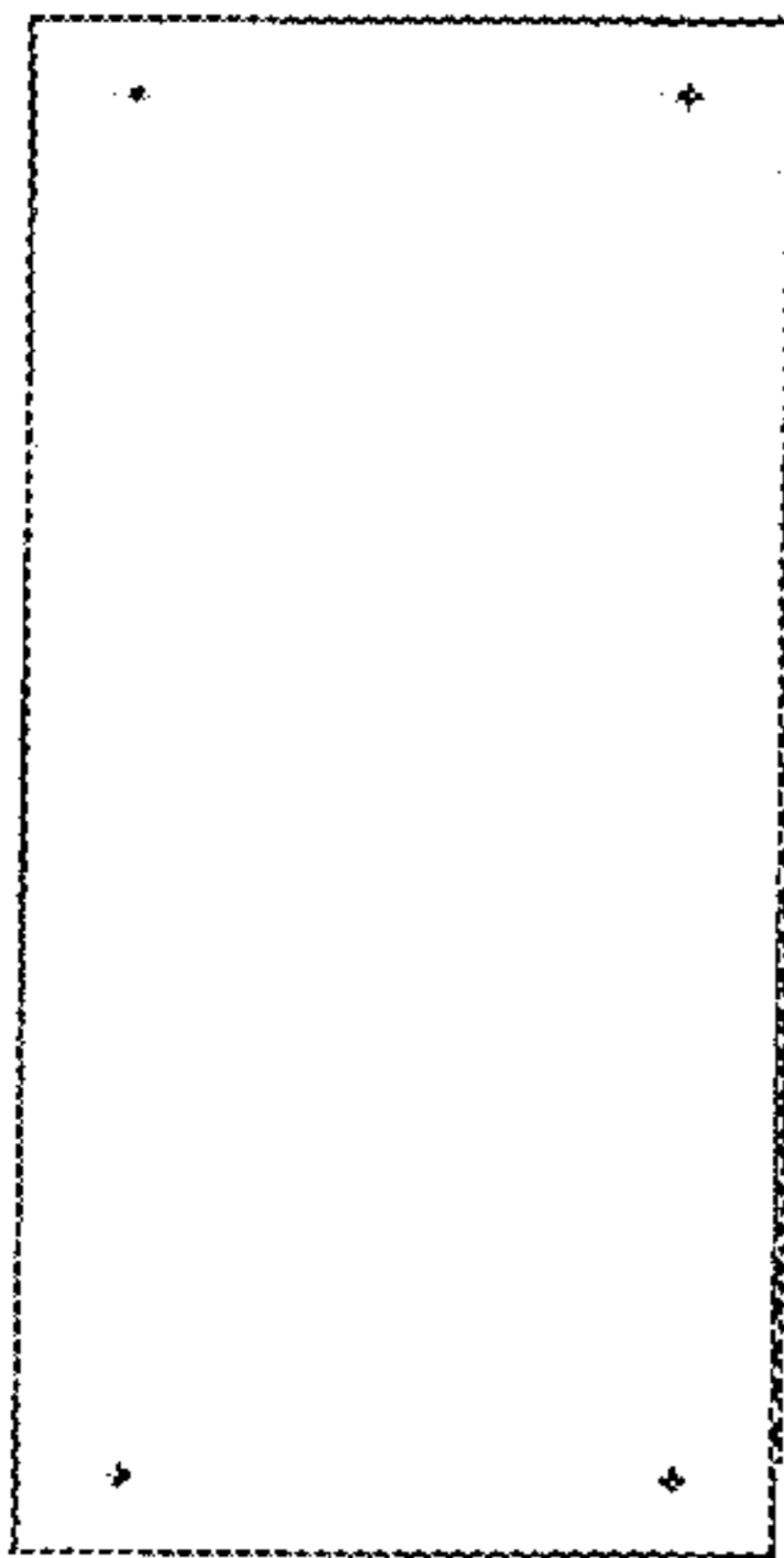
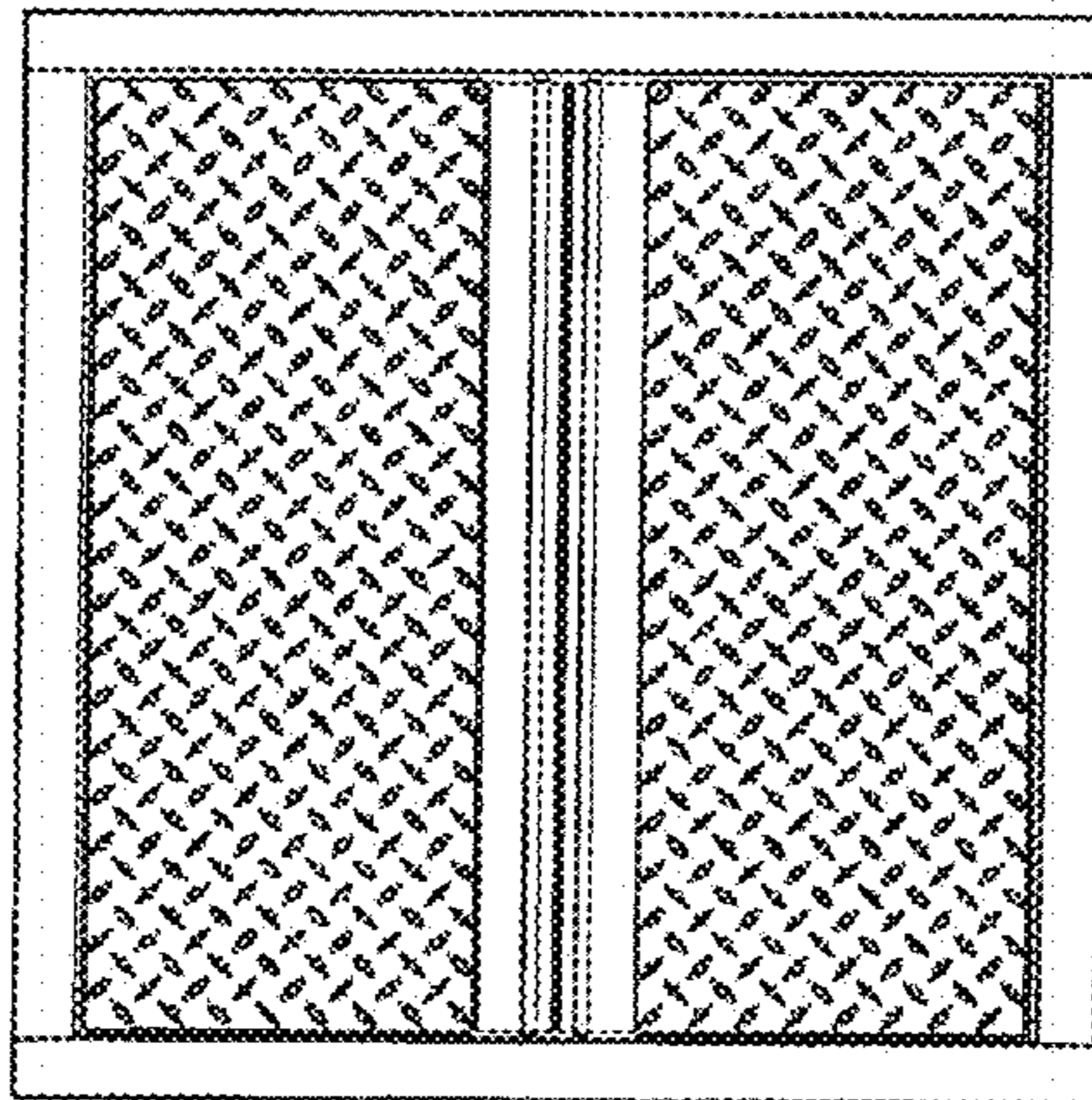


Figure 5

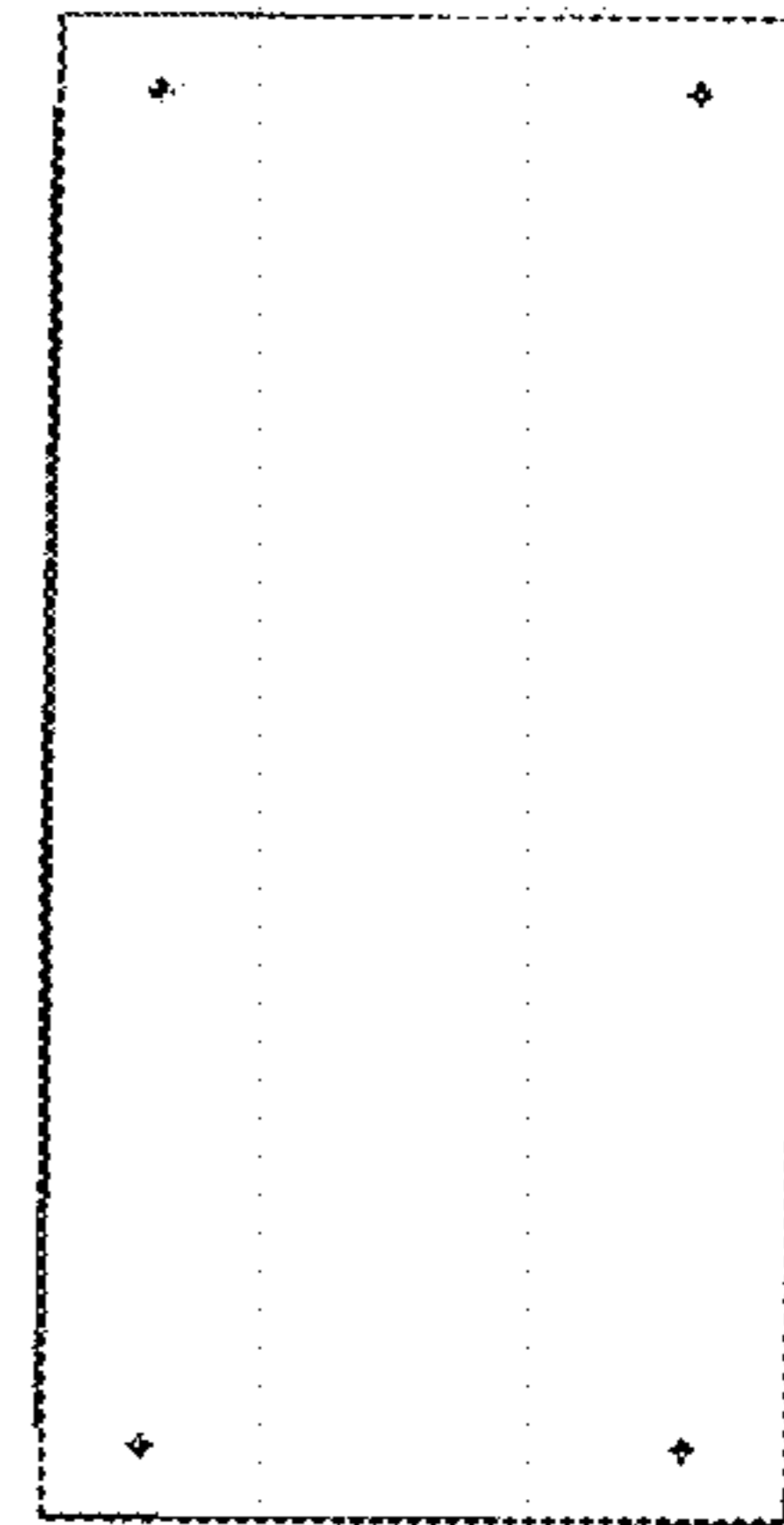


Figure 6

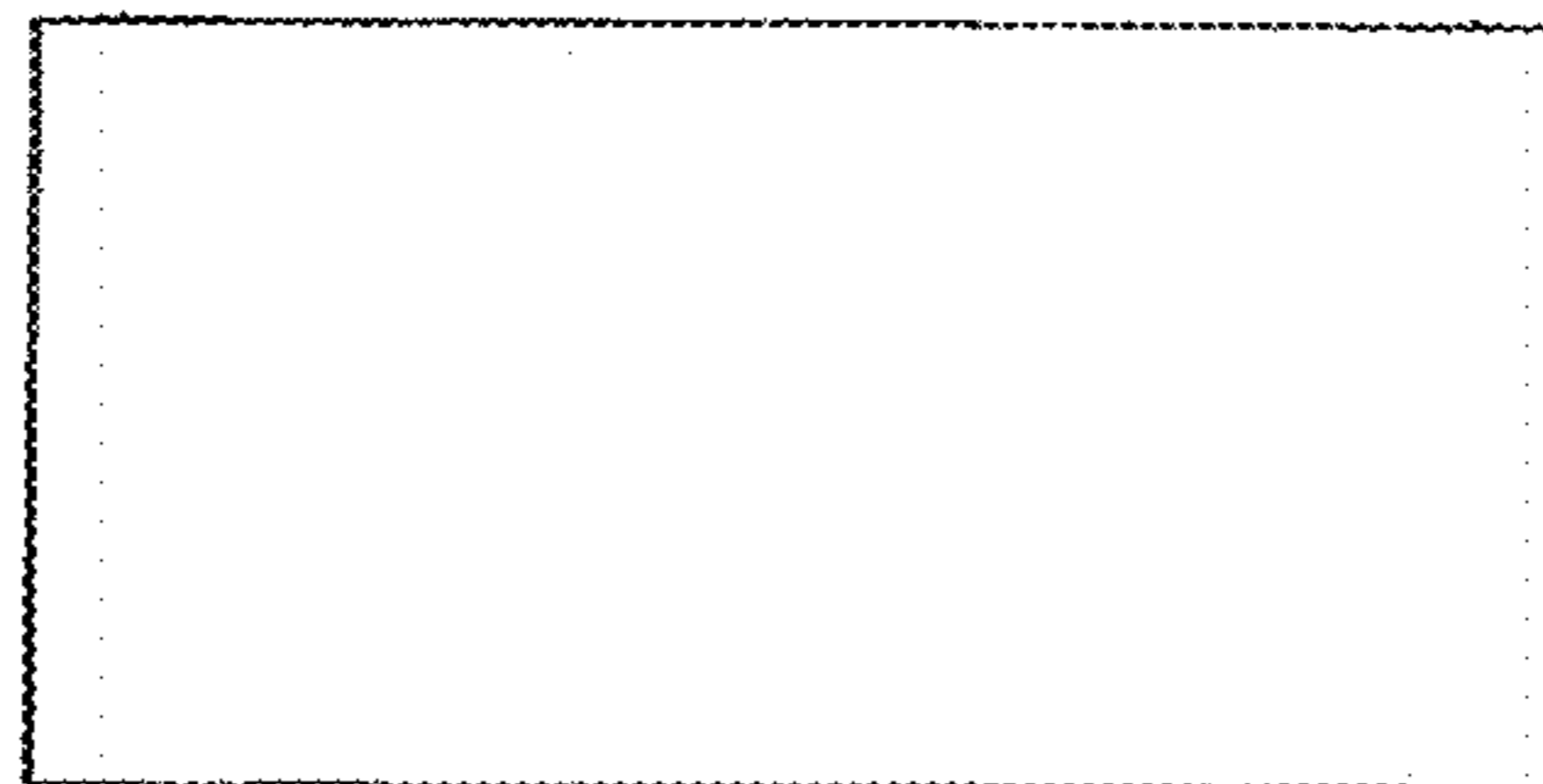


Figure 4

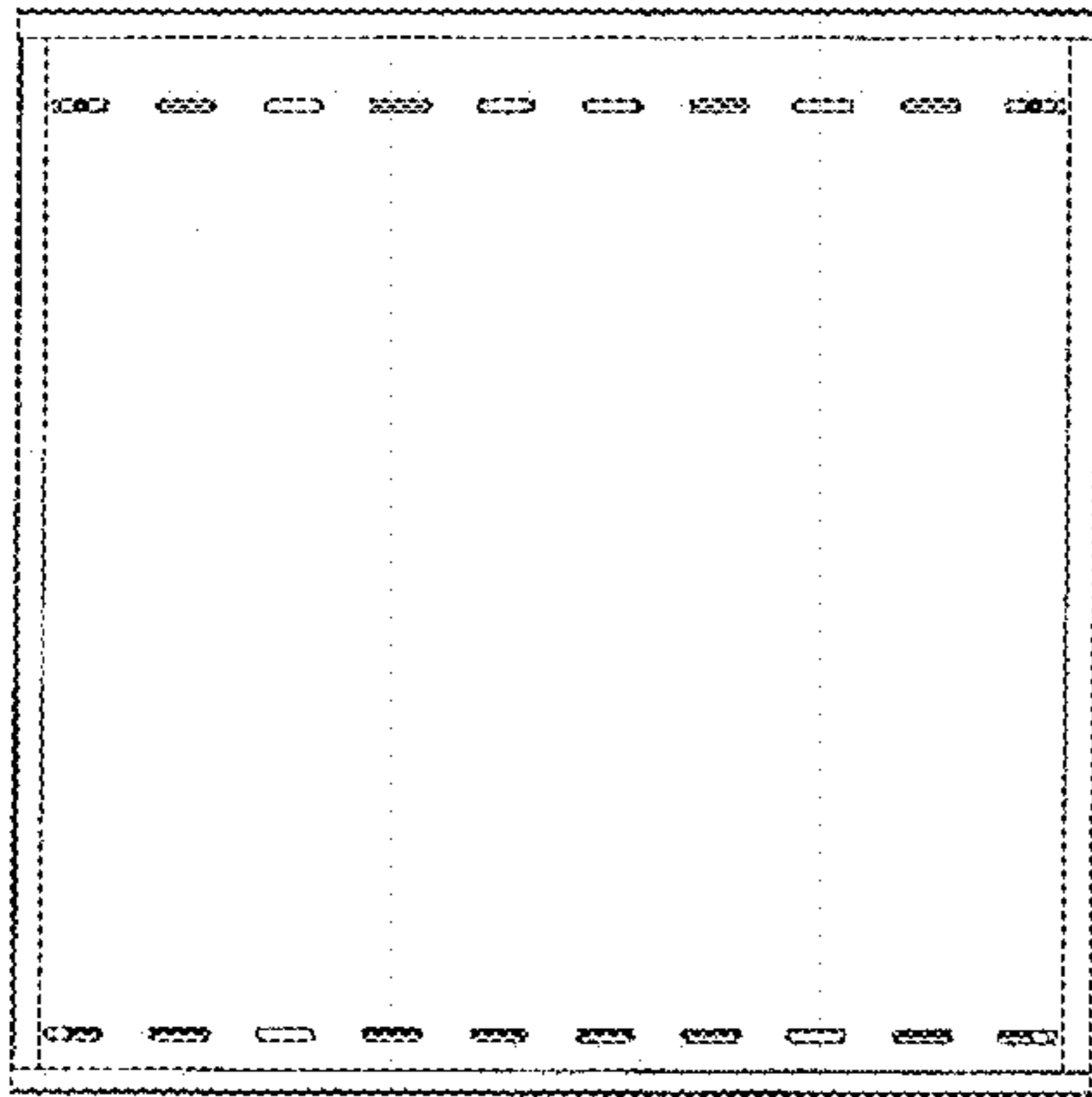


Figure 7

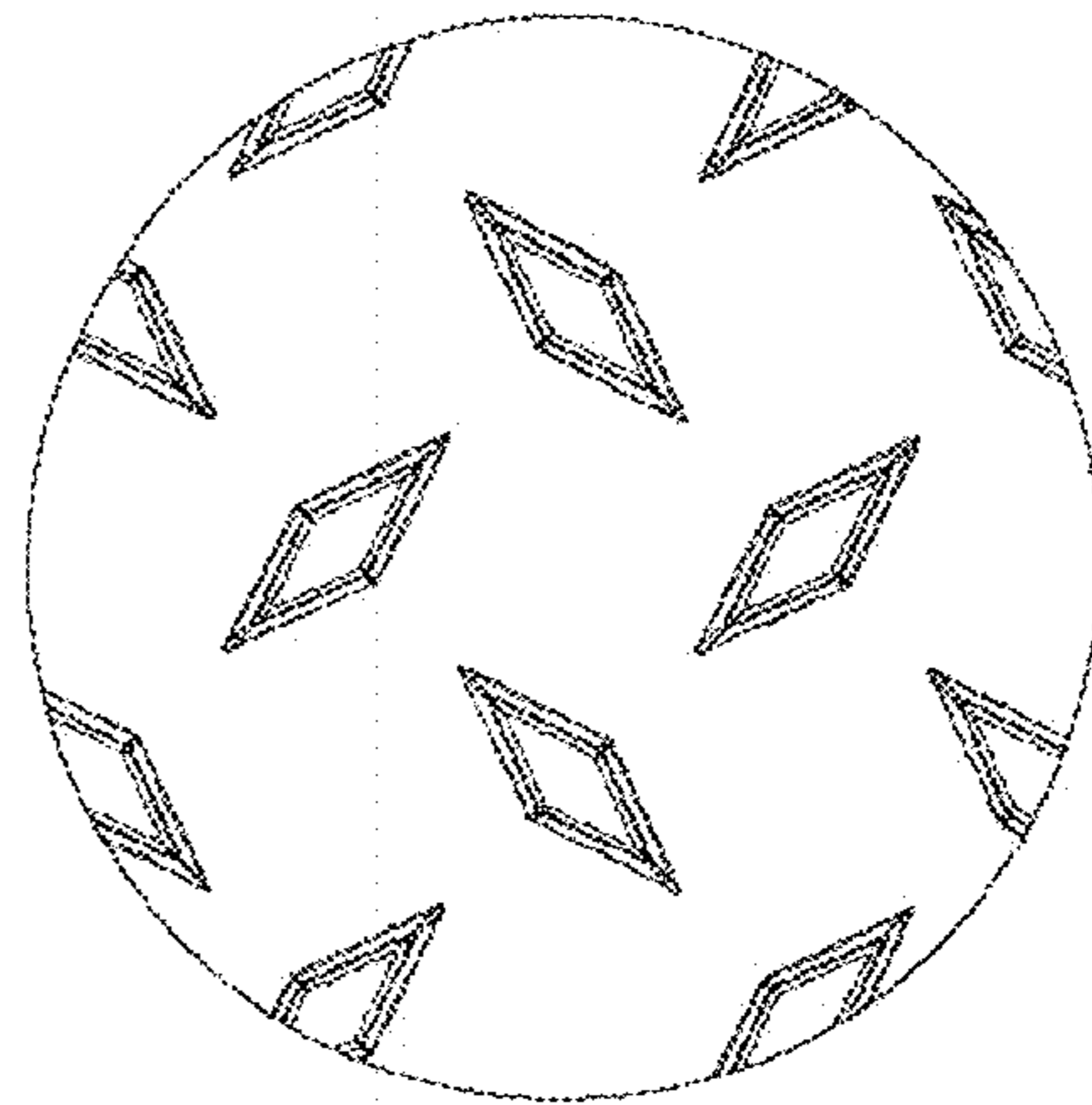


Figure 9

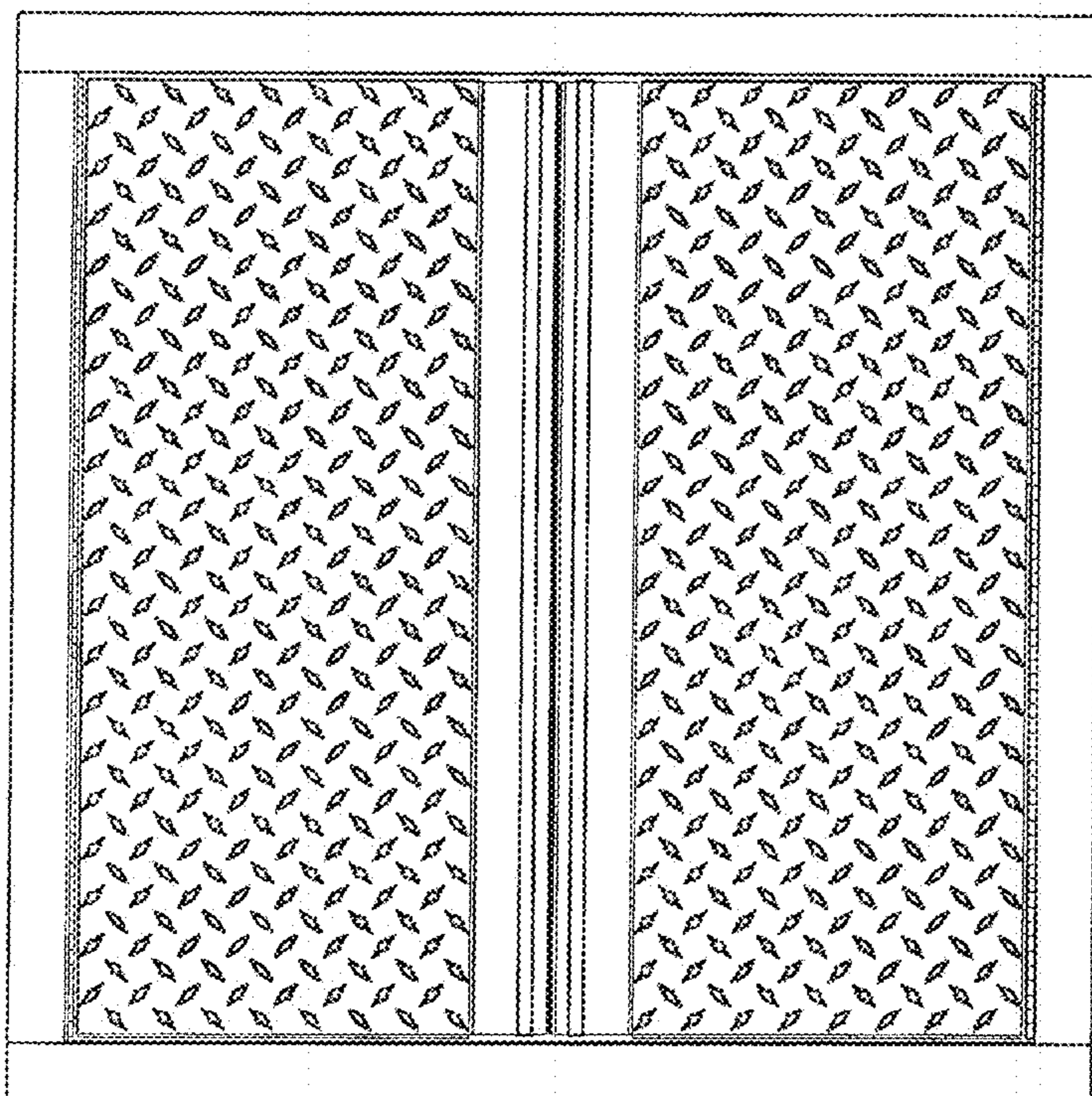


Figure 8